



Moduline® Inline Speed Reducers



**ORDER-TO-DELIVERY
IN 3 WEEKS!**

 **Nuttall**®
Gear

 **Delroyd**®
Worm Gear



Moduline Inline Speed Reducers

Nuttall's New Delivery Commitment

- Standard Units and Ratios can be ordered for delivery in 3 weeks!*
- 8 Standard Type R Inline Gear Reducer Catalog Sizes: 10–21–32–43–54–64–76–88
- Most spare parts are in inventory for same week delivery
- Output Torque Ratings at 1750 RPM input: 2,500 in-lbs to 90,000 in-lbs

*Reducer only. Motor, accessories and modifications will affect lead time.

Double Reduction Nominal Standard Ratio	Triple Reduction Nominal Standard Ratio
6.20:1	25.63:1
7.59:1	31.39:1
9.30:1	38.44:1
11.39:1	47.08:1
13.95:1	57.66:1
17.09:1	70.62:1
20.93:1	86.50:1

Design Features

Moduline Type R concentric shaft speed reducers reflect many years of experience in gearing products. We utilize the flexibility of the modular concept and provide readily available drives, tailored to popular horsepower selections for actual applications having output torque requirements up to 230,000 in-lbs.

Moduline speed reducers are designed in accordance with all applicable AGMA standards and Nuttall Gear's value added design engineering capabilities. Standard ratios provide a broad range of output speeds to fit most applications.

The removable high speed end facilitates ratio changes or other servicing. Moduline Type R Speed Reducers can be driven by electric motors, gasoline engines, diesel engines, power take-off shafts and line shafts. They may be directly connected by a coupling or offset by means of a chain and sprocket or belt and pulley.

Moduline Speed Reducers can be designed for floor, ceiling, vertical or angled (up to 26°) mounting positions.

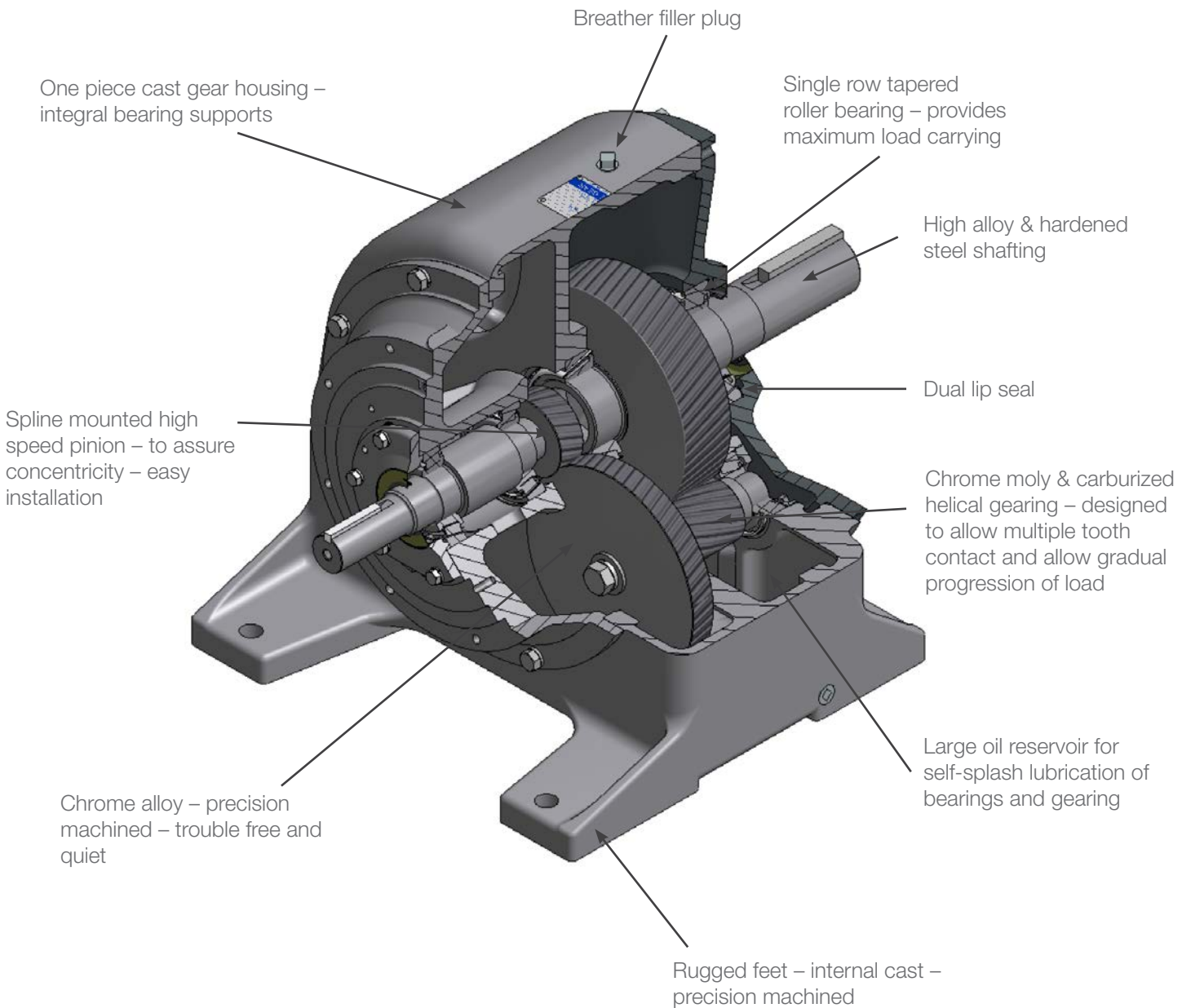
Accessories and modifications include:

- Bedplates
- Motors
- Outboard bearings
- Nodular Iron Cast Gear Housing
- Internal Backstops
- Minimum backlash options
- Shaft driven cooling fans
- Sugar scoops NEMA motor support
- C-Face NEMA motor adapters
- Flexible couplings
- Taconite type Oil Seals
- OSHA approved coupling guards
- Special Marine epoxy paint systems





Internal Construction



Belted Drives and Sheaves

TB Wood's

Belted Drives
Chambersburg, PA - USA
1-888-829-6637 – Press #5
For application assistance:
1-888-829-6637 – Press #7

Couplings

Ameridrives Couplings

Mill Spindles, Ameriflex, Ameridisc
Erie, PA - USA
1-814-480-5000
Gear Couplings
San Marcos, TX - USA
1-800-458-0887

Ameridrives Power Transmission

Universal Joints, Drive Shafts, Mill Gear Couplings
Green Bay, WI - USA
1-920-593-2444

Bibby Turboflex

Disc, Gear, Grid Couplings, Overload Clutches
Dewsbury, England
+44 (0) 1924 460801
Boksburg, South Africa
+27(0) 11 918 4270

Guardian Couplings

Engineered Flywheel Couplings, Engine Housings and Pump Mounts, Flexible Shaft Couplings
Michigan City, IN - USA
1-219-874-5248

Huco Dynatork

Precision Couplings and Air Motors
Hertford, England
+44 (0) 1992 501900
Chambersburg, PA - USA
1-888-829-6637

Couplings Cont.

Lamiflex Couplings

Flexible Couplings, Bearing Isolators, and Coupling Guards
Cotia, SP - Brasil
+55 (11) 4615-6300

TB Wood's

Elastomeric Couplings
Chambersburg, PA - USA
1-888-829-6637 – Press #5
For application assistance:
1-888-829-6637 – Press #7
General Purpose Disc Couplings
San Marcos, TX - USA
1-888-449-9439

Electromagnetic Clutches and Brakes

Inertia Dynamics

Spring Set Brakes; Power On and Wrap Spring Clutch/Brakes
New Hartford, CT - USA
1-800-800-6445

Matrix International

Electromagnetic Clutches and Brakes, Pressure Operated Clutches and Brakes
Brechtin, Scotland
+44 (0) 1356 602000
New Hartford, CT - USA
1-800-825-6544

Warner Electric

Electromagnetic Clutches and Brakes
New Hartford, CT - USA
1-800-825-6544
For application assistance:
1-800-825-9050

Saint Barthélemy d'Anjou, France
+33 (0)2 41 21 24 24

Precision Electric Coils and Electromagnetic Clutches and Brakes

Columbia City, IN - USA
1-260-244-6183

Engineered Bearing Assemblies

Kilian Manufacturing

Engineered Bearing Assemblies
Syracuse, NY - USA
1-315-432-0700

Gearing

Bauer Gear Motor

Geared Motors
Esslingen, Germany
+49 (711) 3518-0
Somerset, NJ - USA
1-732-469-8770

Boston Gear

Enclosed and Open Gearing, Electrical and Mechanical P.T. Components
Charlotte, NC - USA
1-800-825-6544
For application assistance:
1-800-816-5608

Nuttall Gear and Delroyd Worm Gear

Worm Gear and Helical Speed Reducers
Niagara Falls, NY - USA
1-716-298-4100

Heavy Duty Clutches and Brakes

Industrial Clutch

Pneumatic and Oil Immersed Clutches and Brakes
Waukesha, WI - USA
1-262-547-3357

Svendborg Brakes

Industrial Brakes and Brake Systems
Vejstrup, Denmark
+45 63 255 255

Twiflex Limited

Caliper Brakes and Thrusters
Wichita Falls, TX - USA
1-844-723-3483
Twickenham, England
+44 (0) 20 8894 1161

Heavy Duty Clutches and Brakes Cont.

Wichita Clutch

Pneumatic Clutches and Brakes
Wichita Falls, TX - USA
1-800-964-3262
Bedford, England
+44 (0) 1234 350311

Linear Products

Warner Linear

Linear Actuators
Belvidere, IL - USA
1-800-825-6544
For application assistance:
1-800-825-9050
Saint Barthélemy d'Anjou, France
+33 (0)2 41 21 24 24

Overrunning Clutches

Formsprag Clutch

Overrunning Clutches and Holdbacks
Warren, MI - USA
1-800-348-0881 – Press #1
For application assistance:
1-800-348-0881 – Press #2

Marland Clutch

Roller Ramp and Sprag Type Overrunning Clutches and Backstops
South Beloit, IL - USA
1-800-216-3515

Stieber Clutch

Overrunning Clutches and Holdbacks
Heidelberg, Germany
+49 (0) 6221-30470

For information concerning our sales offices in Asia Pacific check our website www.altramotion.com.cn



www.nuttallgear.com

2221 Niagara Falls Boulevard
Niagara Falls, NY 14304 - USA
716-298-4100
Fax: 716-298-4101



www.delroyd.com

2221 Niagara Falls Boulevard
Niagara Falls, NY 14304 - USA
716-298-4100
Fax: 716-298-4101