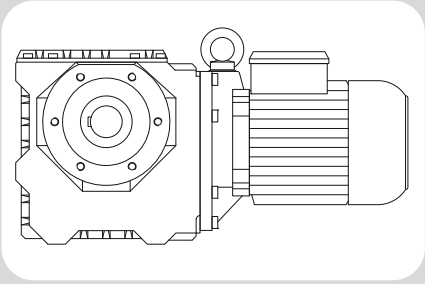


# Energy Efficient Geared Motors

## AC Line Operated / North America



# 13

### BS-series worm-geared motors - Dimensions

<b>Dimension - Standard Imperial .....</b>	<b>576</b>
BS02 .....	576
BS03 .....	578
BS04 .....	580
BS06 .....	582
BS10 - BS10Z .....	584
BS20 - BS20Z .....	586
BS30 - BS30Z .....	588
BS40 - BS40Z .....	590
<b>Dimension - Tandem Gearbox Imperial.....</b>	<b>592</b>
BS06G04 .....	592
BS10G06 .....	594
BS20G06 .....	596
BS30G06 .....	598
BS40G10 .....	600
<b>Additional Dimension Sheet Imperial .....</b>	<b>602</b>
Shrink disc couplings (SSV) .....	602
Shrink disc couplings with (SSV) cover .....	603
Rubber buffer for torque restraint .....	604
Position of the torque arm .....	605
Threaded foot .....	606
Foot plate, left .....	607
Assembly tools for hollow shaft and keyway .....	608
Shaft cap (VK) .....	610
Shaft cover (VD) .....	611
<b>Dimension - Standard Metric .....</b>	<b>612</b>
BS02 .....	612
BS03 .....	614
BS04 .....	616
BS06 .....	618
BS10 - BS10Z .....	620
BS20 - BS20Z .....	622
BS30 - BS30Z .....	624
BS40 - BS40Z .....	626
<b>Dimension - Tandem Gearbox Metric.....</b>	<b>628</b>
BS06G04 .....	628
BS10G06 .....	630
BS20G06 .....	632
BS30G06 .....	634
BS40G10 .....	636
<b>Additional Dimension Sheet Metric .....</b>	<b>638</b>
Shrink disc coupling (SSV) .....	638
Shrink disc coupling with (SSV) cover .....	639
Rubber buffer for torque arm .....	640
Position of the torque arm .....	641 ▶

# Energy Efficient Geared Motors

## AC Line Operated / North America

# Energy Efficient Geared Motors

## AC Line Operated / North America

◀ Threaded foot .....	642
Foot plate, left .....	643
Assembly tools for hollow shaft and keyway .....	644
Shaft cap (VK) .....	646
Shaft cover (VD) .....	647

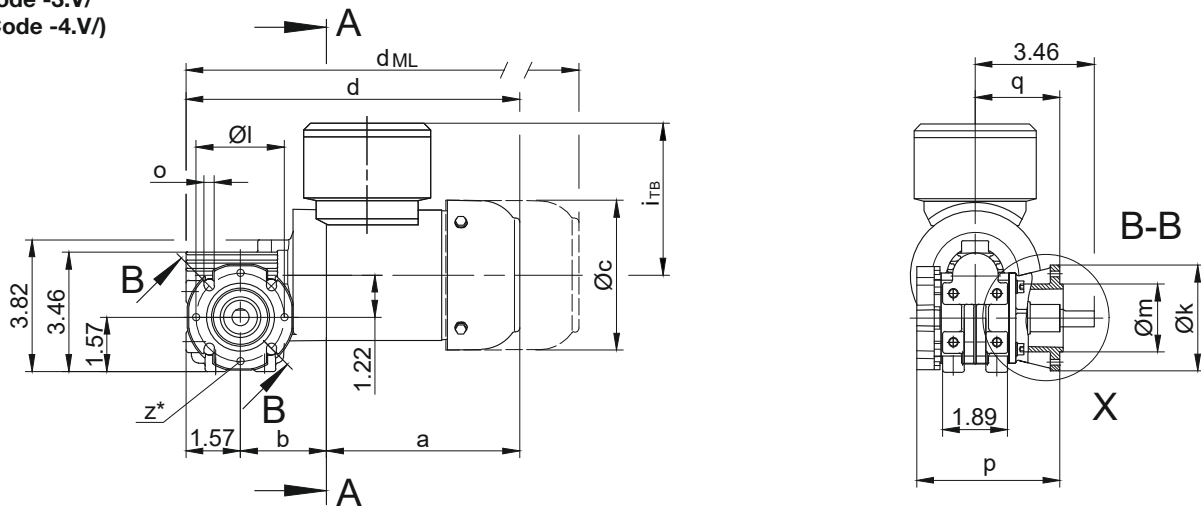
# BS-series worm-geared motors

## Dimension - Standard Imperial

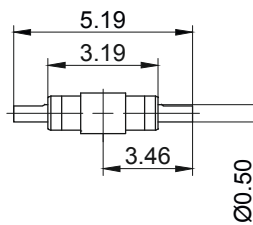
### BS02

Flange with clearance holes at front

Code -3.V/  
(Code -4.V/)

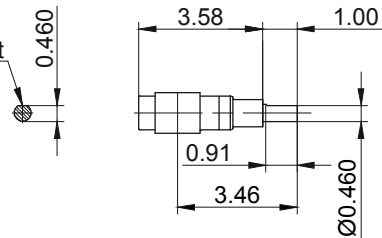


Code -3/



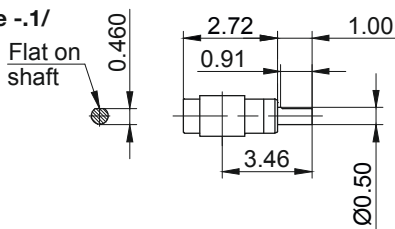
Code -7/

Flat on shaft

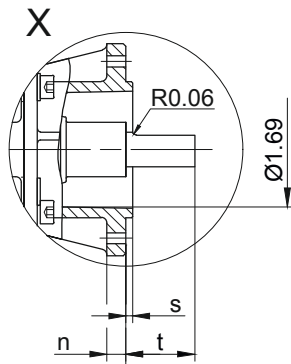
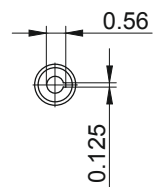
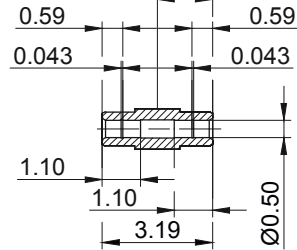


Code -1/

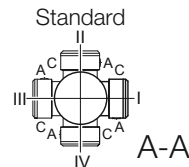
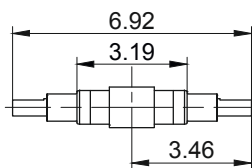
Flat on shaft



Code -4/



Code -9



\* optional 4xM5 for code -3.  
\* optional 4xM6 for code -4.

Flange Dimensions											Shaft extension tolerance: up to 1.5 in diameter: +0.000 / -0.0005 in over 1.5 in diameter: +0.000 / -0.001 in Flange spigot diameter: +0.0003 / -0.0015 in
Type	Design	k	l	m	n	o	p	q	s	t	
BS02	Code -3.V/	3.150	2.559	1.969	0.295	0.217	4.154	2.461	0.098	1.000	
BS02	Code -4.V/	4.331	3.150	2.362	0.315	0.260	4.154	2.461	0.098	1.000	

Type	a	b	c	d	i	Design with motor extensions				
						i <sub>TB</sub>	Brake	Encoder	Brake with Encoder	Back Stop
							d <sub>ML</sub>	d <sub>ML</sub>	d <sub>ML</sub>	d <sub>ML</sub>
BS02-../D04.A.	5.61	2.50	4.35	9.69	3.54	4.41	11.40	13.13	14.84	-
BS02-../D.05.A.	6.72	2.58	4.84	10.87	3.98	4.61	12.52	14.91	16.38	-
BS02-../D.06.A.	6.70	2.58	4.84	10.86	3.90	4.69	12.51	14.89	16.37	-
BS02-../D.07.A.	7.49	2.58	4.84	11.65	3.90	4.69	13.30	15.68	17.16	-

The actual gearbox design can vary from the geometry shown. Generate drive specific 3D and 2D geometries under [www.BauerCat.com](http://www.BauerCat.com).

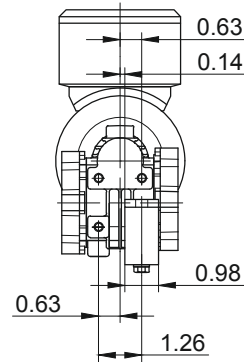
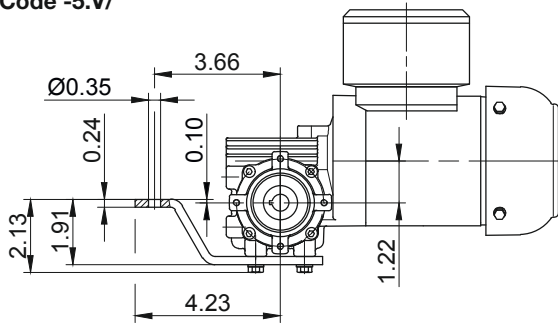
# BS-series worm-gearred motors

## Dimension - Standard Imperial

### BS02

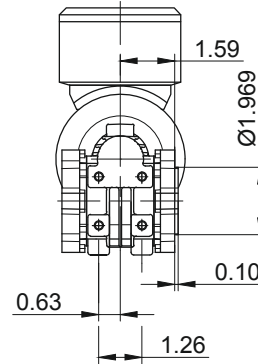
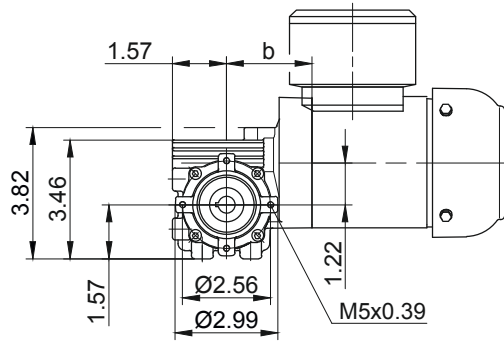
Torque arm at front

Code -5.V/



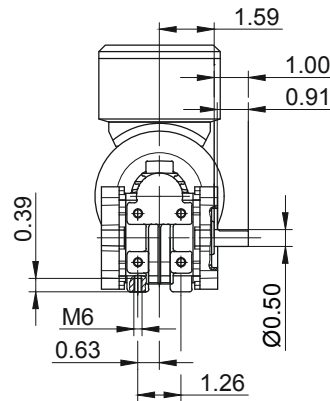
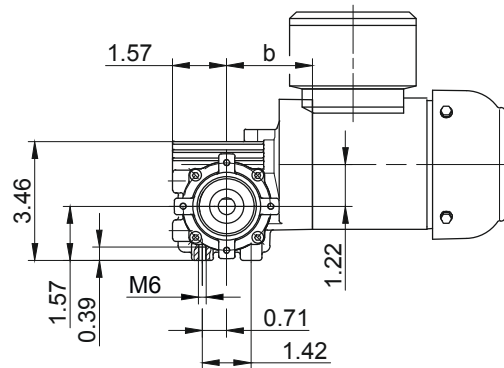
Foot with tapped holes at front

Code -7.V/



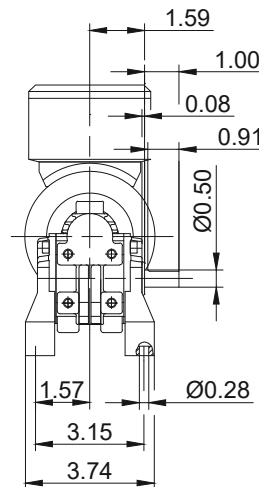
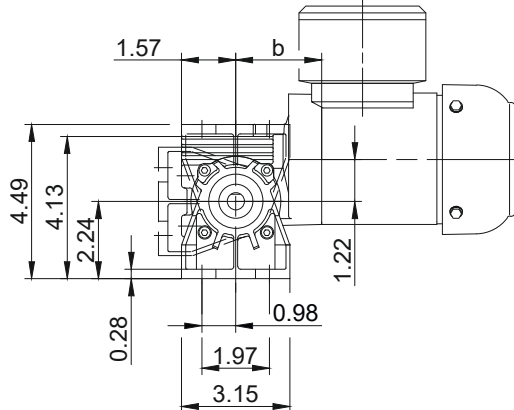
Foot with tapped holes at bottom

Code -6.U/



Foot with clearance holes at bottom

Code -1.U/



The actual gearbox design can vary from the geometry shown. Generate drive specific 3D and 2D geometries under [www.BauerCat.com](http://www.BauerCat.com).

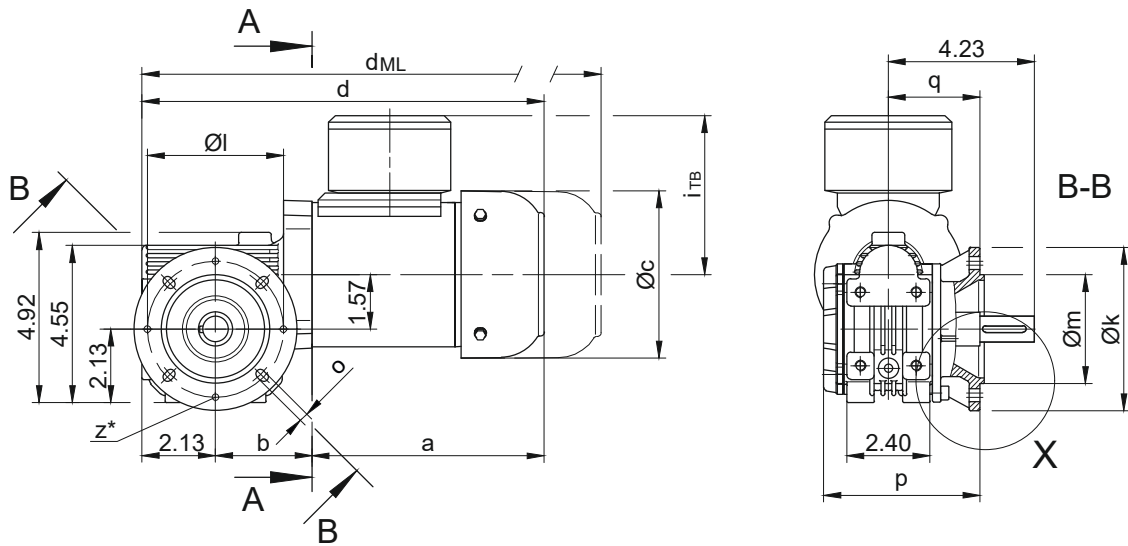
# BS-series worm-geared motors

## Dimension - Standard Imperial

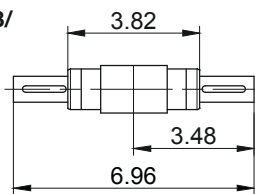
### BS03

Flange with clearance holes at front

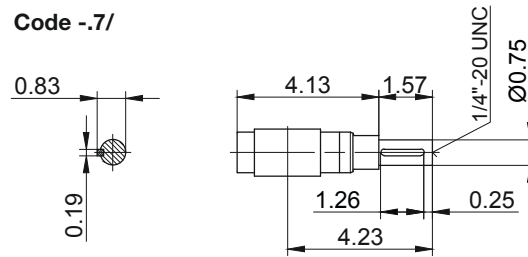
Code -3.V/



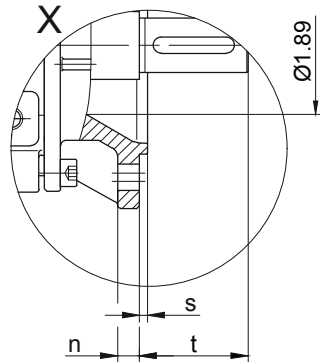
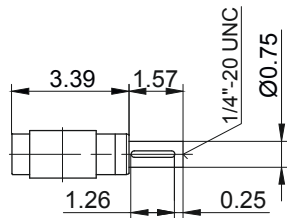
Code -3/



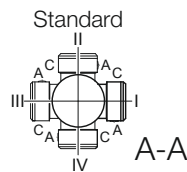
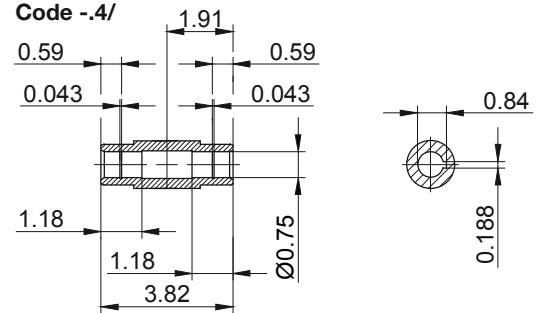
Code -7/



Code -1/



Code -4/



\* optional 4xM6 for code -3.

Flange Dimensions											Shaft extension tolerance:	
Type	Design	k	l	m	n	o	p	q	s	t	up to 1.5 in diameter: +0.000 / -0.0005 in	
BS03	Code -3.V/	4.724	3.937	3.150	0.315	0.260	4.528	2.657	0.118	1.570	over 1.5 in diameter: +0.000 / -0.001 in	
Dimensions in inch											Flange spigot diameter: +0.0003 / -0.0015 in	

Type	a	b	c	d	i	Design with motor extensions				
						iTB	Brake	Encoder	Brake with Encoder	Back Stop
							d <sub>ML</sub>	d <sub>ML</sub>	d <sub>ML</sub>	d <sub>ML</sub>
BS03-../D..05.A.	6.72	2.80	4.84	11.64	3.98	4.61	13.29	15.67	17.15	-
BS03-../D..06.A.	6.70	2.80	4.84	11.63	3.90	4.69	13.28	15.66	17.14	-
BS03-../D..07.A.	7.49	2.80	4.84	12.41	3.90	4.69	14.07	16.45	17.93	-
BS03-../D..08.A.	7.85	4.53	6.14	14.51	4.51	5.37	17.11	18.92	21.34	17.11
BS03-../D..08.B.	9.04	4.53	6.14	15.69	4.51	5.37	18.29	20.10	22.50	18.29

Dimensions in inch

The actual gearbox design can vary from the geometry shown. Generate drive specific 3D and 2D geometries under [www.BauerCat.com](http://www.BauerCat.com).

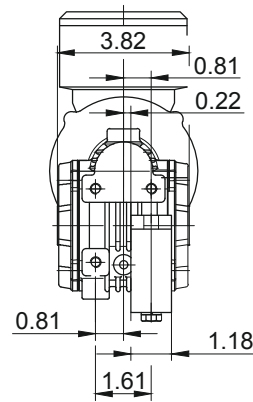
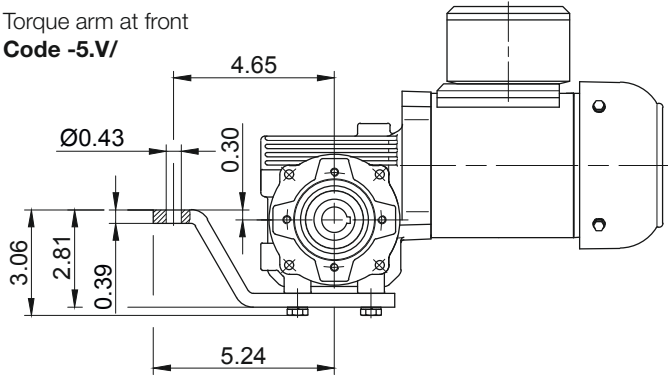
# BS-series worm-gear motors

## Dimension - Standard Imperial

### BS03

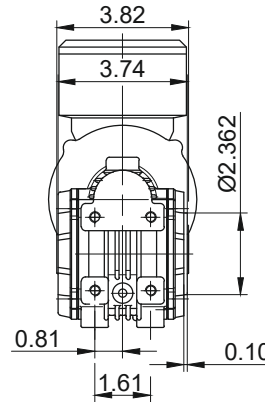
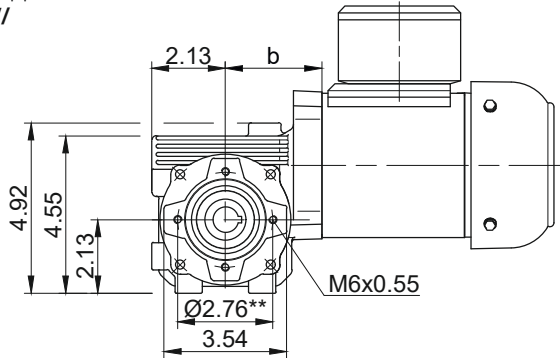
Torque arm at front

Code -5.V/



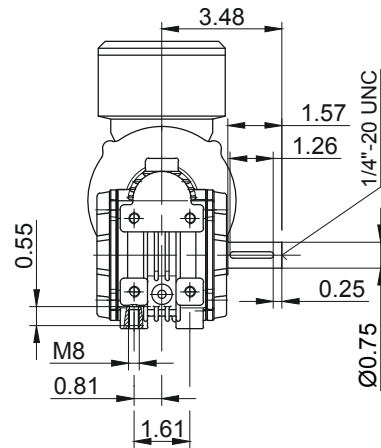
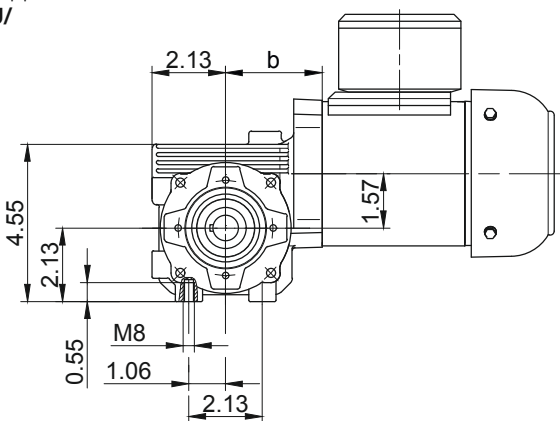
Foot with tapped holes at front

Code -7.V/



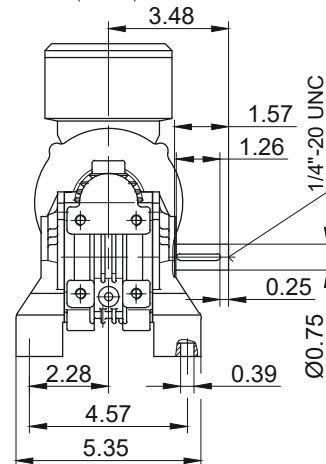
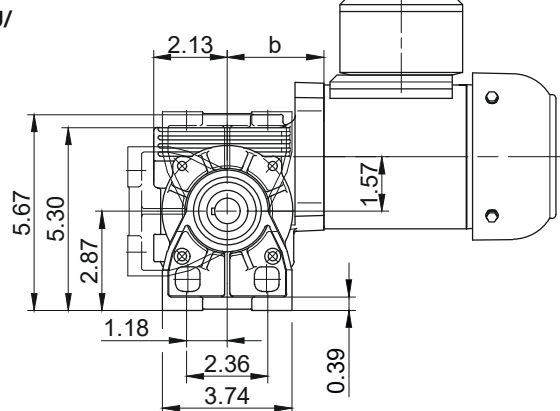
Foot with tapped holes at bottom

Code -6.U/



Foot with clearance holes at bottom

Code -1.U/



\*\* not for D..08.. with PTO shaft (code -1, -2, -3, -7, -8, -9)

The actual gearbox design can vary from the geometry shown. Generate drive specific 3D and 2D geometries under [www.BauerCat.com](http://www.BauerCat.com).

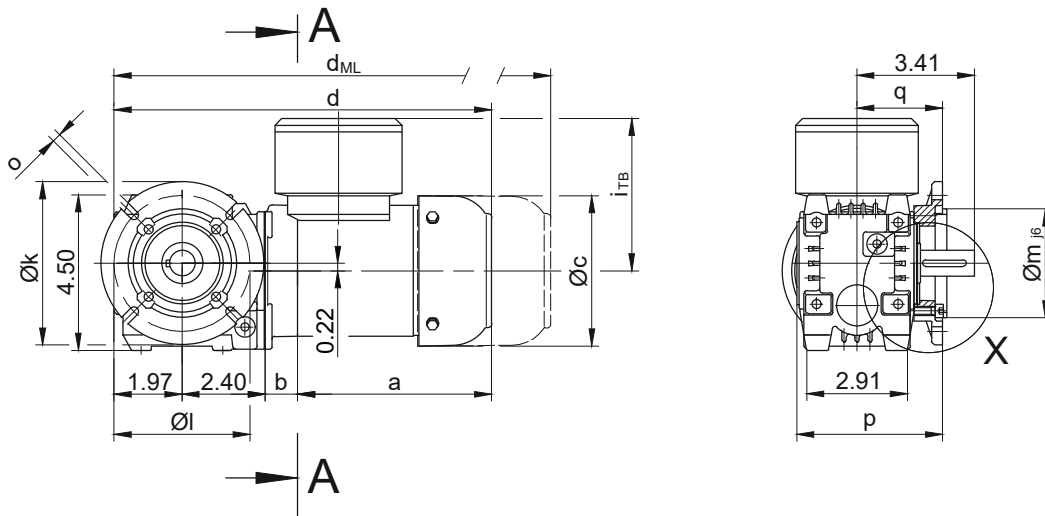
# BS-series worm-geared motors

## Dimension - Standard Imperial

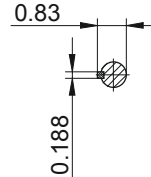
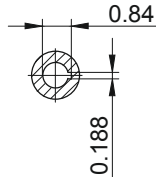
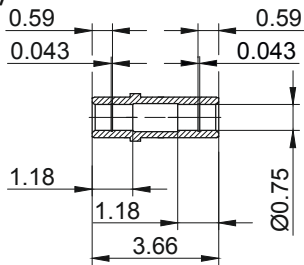
### BS04

Flange with clearance holes at front

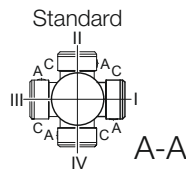
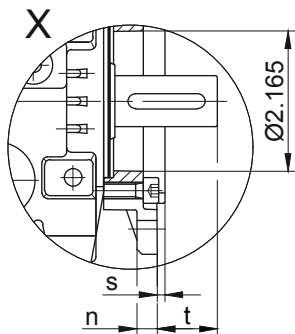
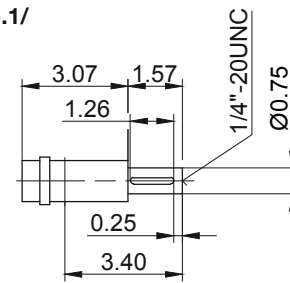
Code **-3.V/**



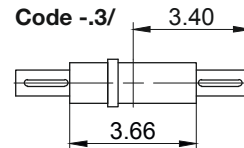
Code **-4/**



Code **-1/**



Code **-3/**



Flange Dimensions											Shaft extension tolerance: up to 1.5 in diameter: +0.000 / -0.0005 in over 1.5 in diameter: +0.000 / -0.001 in Flange spigot diameter: +0.0003 / -0.0015 in
Type	Design	k	l	m	n	o	p	q	s	t	
BS04	Code -3.V/	4.724	3.937	3.150	0.315	0.260	4.232	2.480	0.118	0.920	

Dimensions in inch

Type	a	b	c	d	i	Design with motor extensions				
						iTB	Brake	Encoder	Brake with Encoder	Back Stop
							dML	dML	dML	dML
BS04-../D04.A.	5.61	0.94	4.35	10.93	3.54	4.41	12.64	14.37	16.08	-
BS04-../D..05.A.	6.72	1.02	4.84	12.11	3.98	4.61	13.76	16.15	17.62	-
BS04-../D..06.A.	6.70	1.02	4.84	12.10	3.90	4.69	13.75	16.13	17.61	-
BS04-../D..07.A.	7.49	1.02	4.84	12.89	3.90	4.69	14.54	16.92	18.40	-

Dimensions in inch

The actual gearbox design can vary from the geometry shown. Generate drive specific 3D and 2D geometries under [www.BauerCat.com](http://www.BauerCat.com).



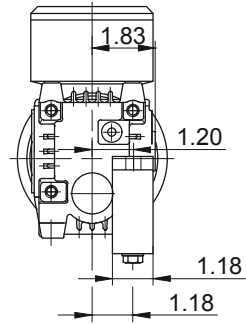
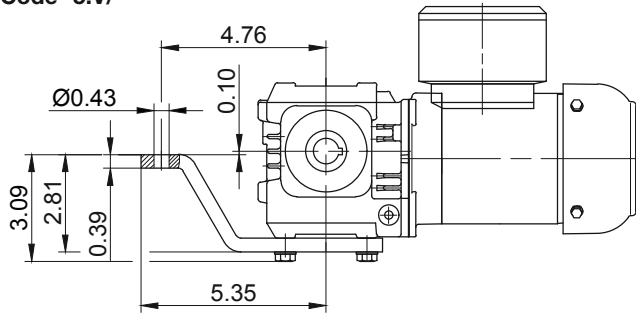
# BS-series worm-geared motors

## Dimension - Standard Imperial

### BS04

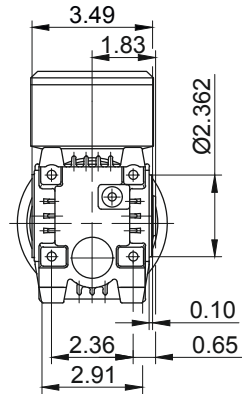
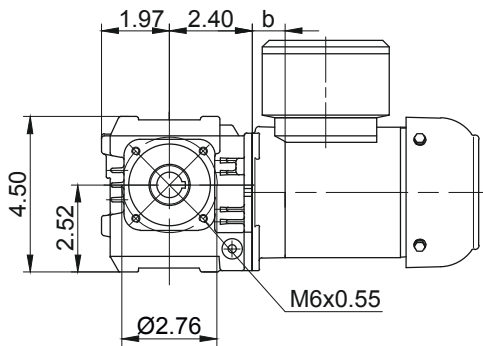
Torque arm at front

Code -5.V/



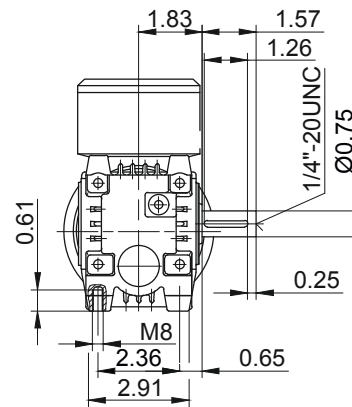
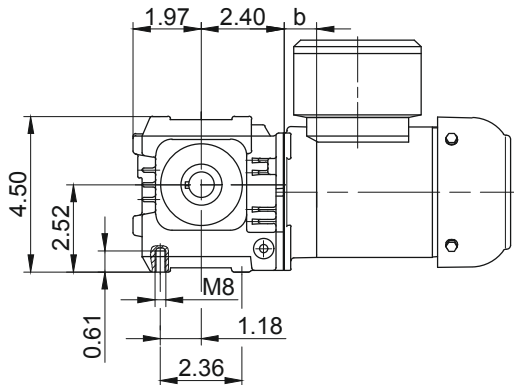
Foot with tapped holes at front

Code -7.V/



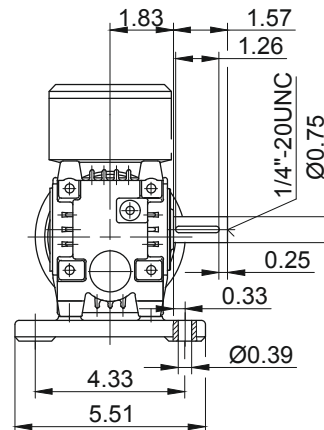
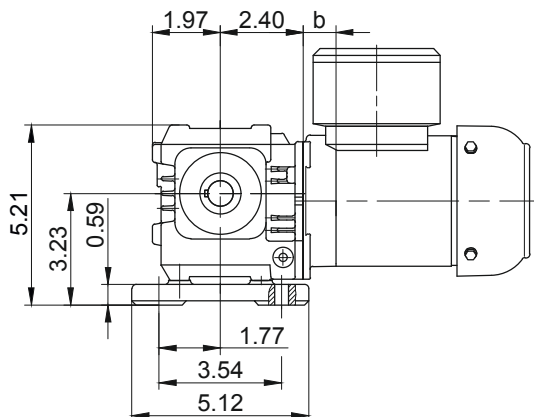
Foot with tapped holes at bottom

Code -6.U/



Foot with clearance holes at bottom

Code -1.U/



The actual gearbox design can vary from the geometry shown. Generate drive specific 3D and 2D geometries under [www.BauerCat.com](http://www.BauerCat.com).

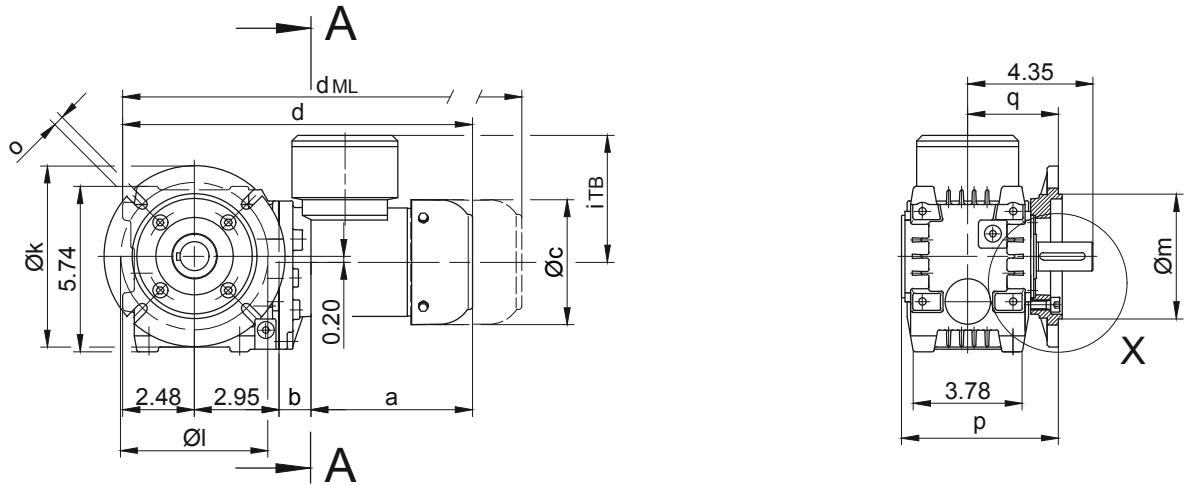
# BS-series worm-geared motors

## Dimension - Standard Imperial

### BS06

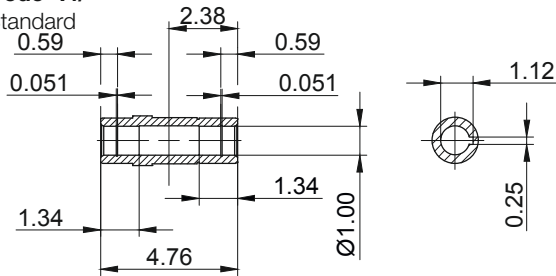
Flange with clearance holes at front

Code -3.V/  
(Code -4.V/)

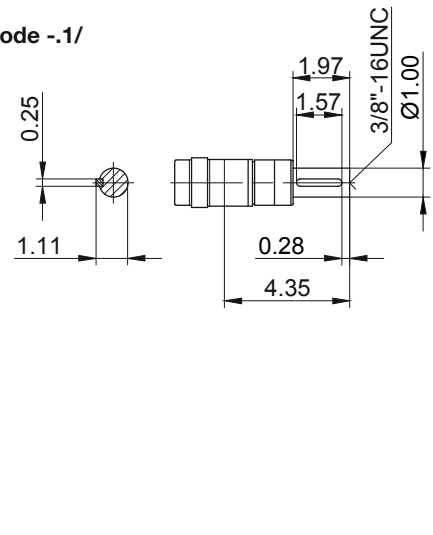


### Code -4/

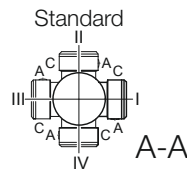
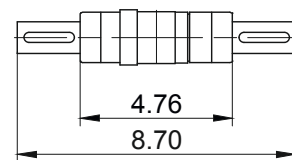
Standard



### Code -1/



### Code -3/



Flange Dimensions											Shaft extension tolerance: up to 1.5 in diameter: +0.000 / -0.0005 in over 1.5 in diameter: +0.000 / -0.001 in Flange spigot diameter: +0.0003 / -0.0015 in
Type	Design	k	l	m	n	o	p	q	s	t	
BS06..	Code -3.V/	5.512	4.528	3.740	0.394	0.354	5.445	3.150	0.118	1.201	
BS06..	Code -4.V/	6.299	5.118	4.331	0.394	0.354	5.445	3.150	0.138	1.201	

Dimensions in inch

Type	a	b	c	d	i	Design with motor extensions				
						iTB	Brake	Encoder	Brake with Encoder	Back Stop
							d <sub>ML</sub>	d <sub>ML</sub>	d <sub>ML</sub>	d <sub>ML</sub>
BS06-../D04.A.	5.61	1.10	4.35	12.15	3.54	4.41	13.86	15.59	17.30	-
BS06-../D..05.A.	6.72	1.18	4.84	13.33	3.98	4.61	14.98	17.37	18.84	-
BS06-../D..06.A.	6.70	1.18	4.84	13.32	3.90	4.69	14.97	17.35	18.83	-
BS06-../D..07.A.	7.49	1.18	4.84	14.11	3.90	4.69	15.76	18.14	19.62	-
BS06-../D..08.A.	7.85	2.91	6.14	16.20	4.51	5.37	18.80	20.61	23.03	18.80
BS06-../D..08.B.	9.04	2.91	6.14	17.38	4.51	5.37	19.98	21.79	24.19	19.98

Dimensions in inch

The actual gearbox design can vary from the geometry shown. Generate drive specific 3D and 2D geometries under [www.BauerCat.com](http://www.BauerCat.com).

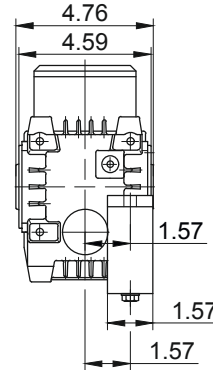
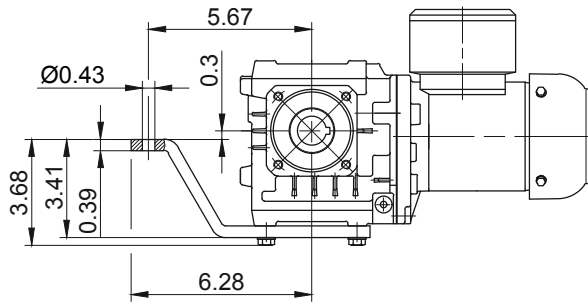
# BS-series worm-gear motors

## Dimension - Standard Imperial

### BS06

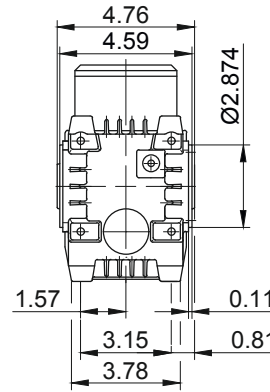
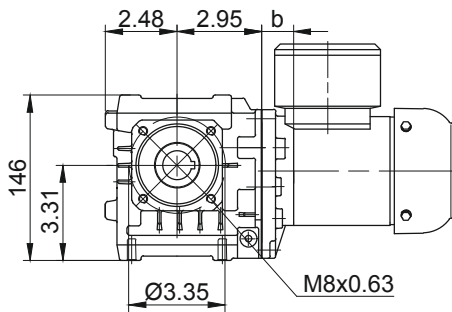
Torque arm at front

Code -5.V/



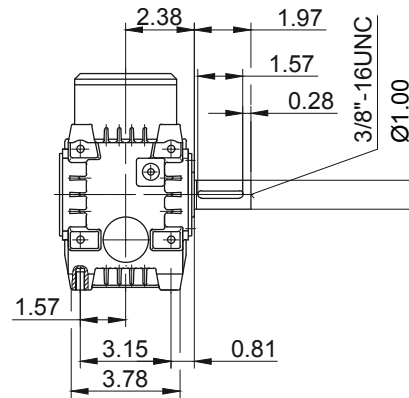
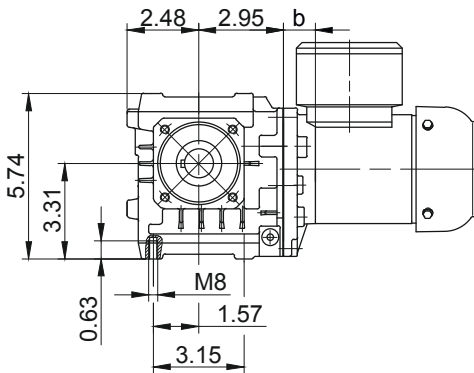
Foot with tapped holes at front

Code -7.V/



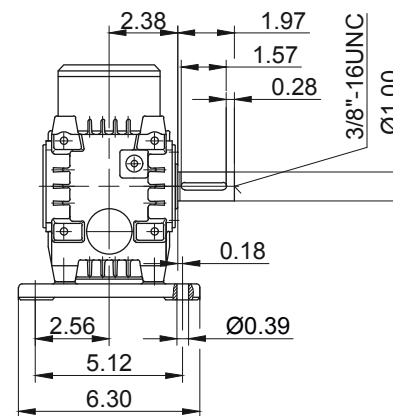
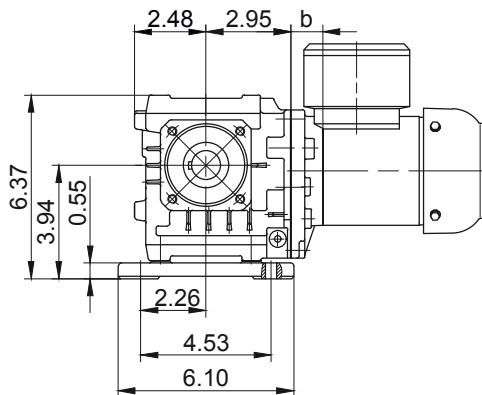
Foot with tapped holes at bottom

Code -6.U/



Foot with clearance holes at bottom

Code -1.U/



The actual gearbox design can vary from the geometry shown. Generate drive specific 3D and 2D geometries under [www.BauerCat.com](http://www.BauerCat.com).

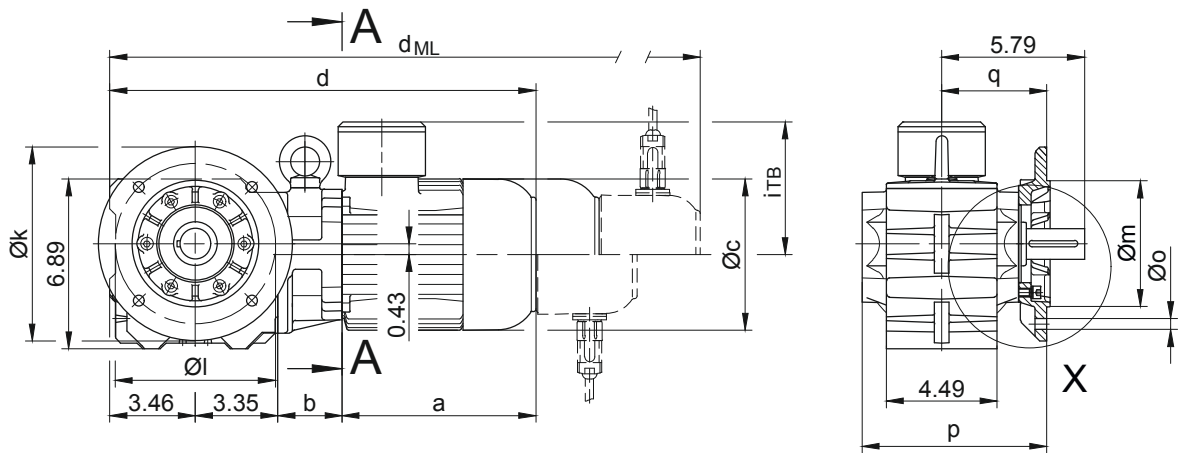
# BS-series worm-geared motors

## Dimension - Standard Imperial

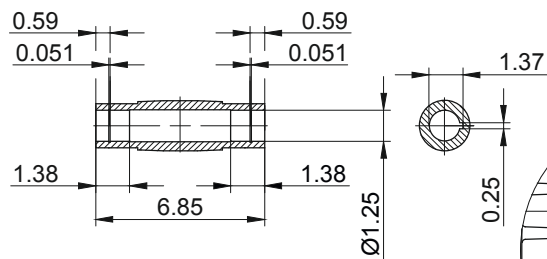
### BS10 - BS10Z

Flange with clearance holes at front

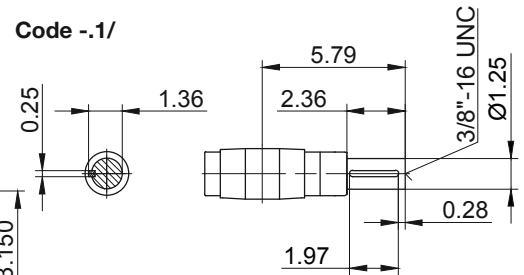
Code -3.V/  
(Code -2.V/)



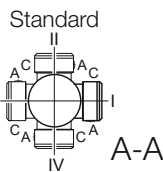
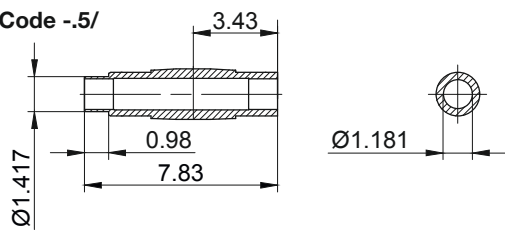
### Code -4/



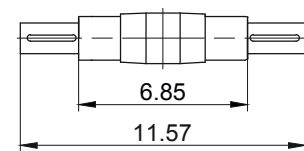
### Code -1/



### Code -5/



### Code -3/



Flange Dimensions											Shaft extension tolerance: up to 1.5 in diameter: +0.000 / -0.0005 in over 1.5 in diameter: +0.000 / -0.001 in Flange spigot diameter: +0.0003 / -0.0015 in
Type	Design	k	l	m	n	o	p	q	s	t	
BS10..	Code -3.V/	7.874	6.496	5.118	0.472	0.433	7.480	4.252	0.138	1.533	
BS10..	Code -2.V/	6.299	5.118	4.331	0.394	0.354	7.205	3.976	0.138	1.809	

Dimensions in inch

Type	a	b	c	d	i	Design with motor extensions				
						iT <sub>B</sub>	Brake	Encoder	Brake with Encoder	Back Stop
							d <sub>ML</sub>	d <sub>ML</sub>	d <sub>ML</sub>	d <sub>ML</sub>
BS10Z-../D04.A.	5.61	3.39	4.35	15.81	3.54	4.41	17.52	19.25	20.96	-
BS10-../D..05.A.	6.72	2.44	4.84	15.97	3.98	4.61	17.62	20.00	21.48	-
BS10Z-../D..05.A.	6.72	3.46	4.84	16.99	3.98	4.61	18.65	21.03	22.50	-
BS10-../D..06.A.	6.70	2.44	4.84	15.96	3.90	4.69	17.61	19.99	21.47	-
BS10Z-../D..06.A.	6.70	3.46	4.84	16.98	3.90	4.69	18.63	21.02	22.49	-
BS10-../D..07.A.	7.49	2.44	4.84	16.74	3.90	4.69	18.40	20.78	22.26	-
BS10Z-../D..07.A.	7.49	3.46	4.84	17.77	3.90	4.69	19.42	21.80	23.28	-
BS10-../D..08.A.	7.85	2.60	6.14	17.26	4.51	5.37	19.86	21.67	24.09	19.86
BS10Z-../D..08.A.	7.85	5.20	6.14	19.86	4.51	5.37	22.46	24.27	26.69	22.46
BS10-../D..08.B.	9.04	2.60	6.14	18.44	4.51	5.37	21.04	22.85	25.26	21.04
BS10Z-../D..08.B.	9.04	5.20	6.14	21.04	4.51	5.37	23.64	25.45	27.85	23.64
BS10-../D..09.A.	9.86	3.17	6.93	19.84	4.88	6.18	23.50	24.08	27.60	23.50
BS10Z-../D..09.B.	12.15	3.17	6.93	22.13	4.88	6.18	25.79	26.34	29.89	25.79

Dimensions in inch

The actual gearbox design can vary from the geometry shown. Generate drive specific 3D and 2D geometries under [www.BauerCat.com](http://www.BauerCat.com).

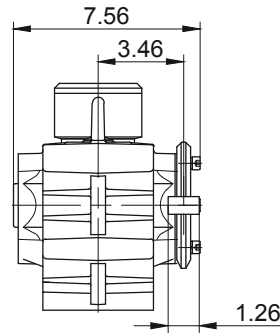
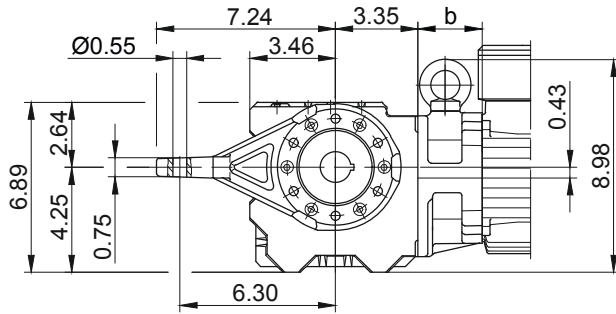
# BS-series worm-gear motors

## Dimension - Standard Imperial

### BS10 - BS10Z

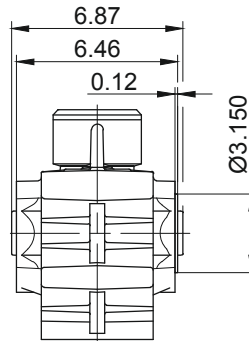
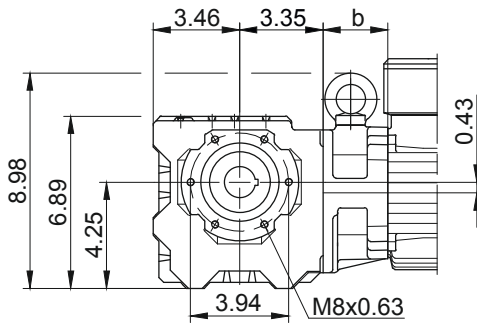
Torque arm at front

Code -5.V/



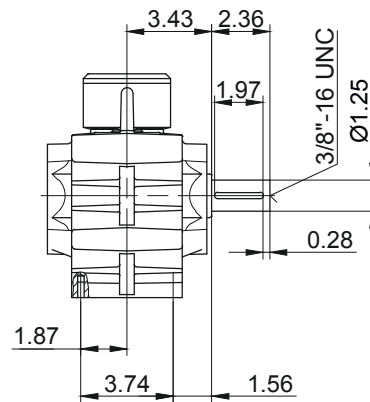
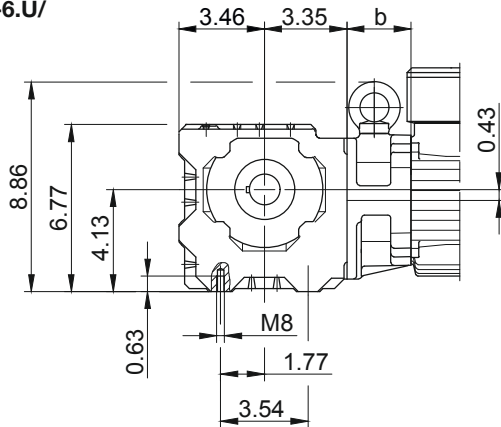
Foot with tapped holes at front

Code -7.V/



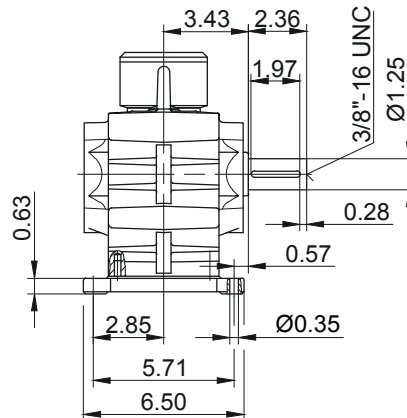
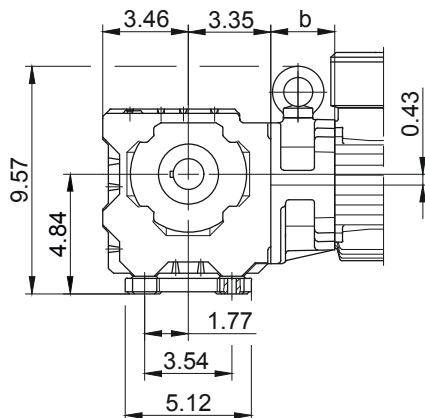
Foot with tapped holes at bottom

Code -6.U/



Foot with clearance holes at bottom

Code -1.U/



The actual gearbox design can vary from the geometry shown. Generate drive specific 3D and 2D geometries under [www.BauerCat.com](http://www.BauerCat.com).

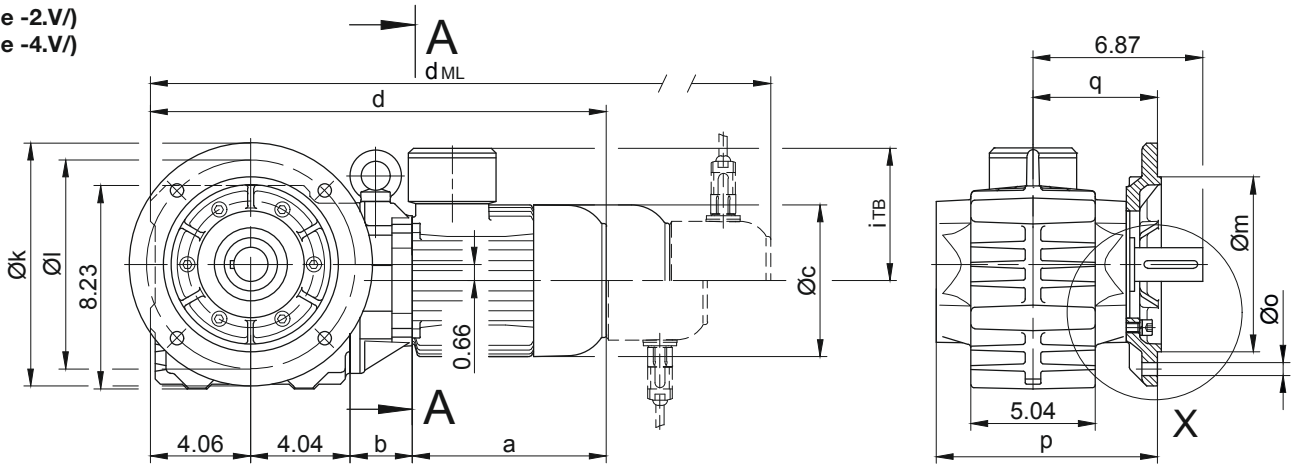
# BS-series worm-geared motors

## Dimension - Standard Imperial

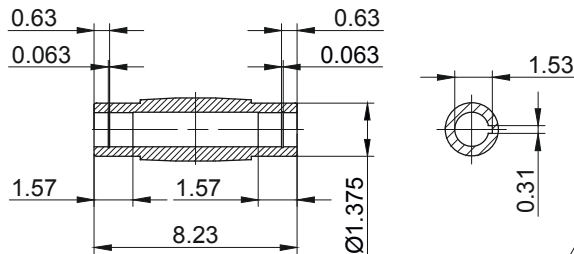
### BS20 - BS20Z

Flange with clearance holes at front

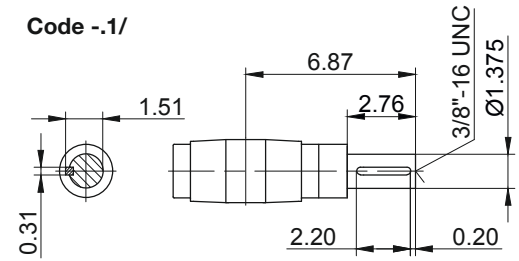
Code -3.V/  
(Code -2.V/)  
(Code -4.V/)



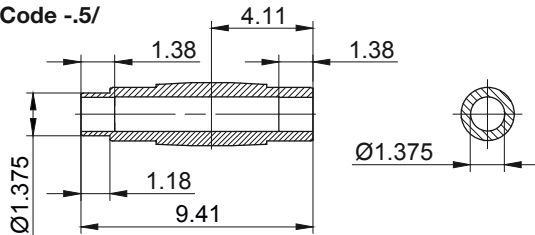
### Code -4/



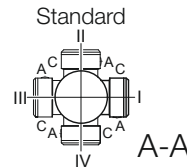
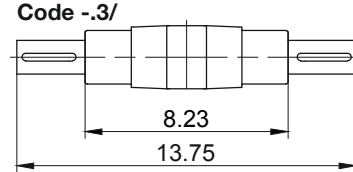
### Code -1/



### Code -5/



### Code -3/



Flange Dimensions											Shaft extension tolerance:	
Type	Design	k	l	m	n	o	p	q	s	t	up to 1.5 in diameter: +0.000 / -0.0005 in over 1.5 in diameter: +0.000 / -0.001 in	
BS20..	Code -3.V/	9.843	8.465	7.087	0.630	0.531	8.957	5.039	0.157	1.835	Flange spigot diameter: +0.0003 / -0.0015 in	
BS20..	Code -2.V/	7.874	6.496	5.118	0.472	0.433	8.839	4.921	0.138	1.953		
BS20..	Code -4.V/	11.811	10.433	9.055	0.787	0.531	9.193	5.276	0.157	1.599		

Dimensions in inch

Type	a	b	c	d	i	Design with motor extensions				
						i <sub>TB</sub>	Brake	Encoder	Brake with Encoder	Back Stop
							d <sub>ML</sub>	d <sub>ML</sub>	d <sub>ML</sub>	d <sub>ML</sub>
BS20Z-./D04.A.	5.61	3.94	4.35	17.64	3.54	4.41	19.35	21.08	22.79	-
BS20-./D..05.A.	6.72	2.36	4.84	17.17	3.98	4.61	18.82	21.20	22.68	-
BS20Z-./D..05.A.	6.72	4.02	4.84	18.82	3.98	4.61	20.48	22.86	24.33	-
BS20-./D..06.A.	6.70	2.36	4.84	17.16	3.90	4.69	18.81	21.19	22.67	-
BS20Z-./D..06.A.	6.70	4.02	4.84	18.81	3.90	4.69	20.46	22.85	24.32	-
BS20-./D..07.A.	7.49	2.36	4.84	17.94	3.90	4.69	19.60	21.98	23.46	-
BS20Z-./D..07.A.	7.49	4.02	4.84	19.60	3.90	4.69	21.25	23.63	25.11	-
BS20-./D..08.A.	7.85	2.52	6.14	18.46	4.51	5.37	21.06	22.87	25.30	21.06
BS20Z-./D..08.A.	7.85	5.75	6.14	21.69	4.51	5.37	24.29	26.10	28.52	24.29
BS20-./D..08.B.	9.04	2.52	6.14	19.65	4.51	5.37	22.24	24.06	26.46	22.24
BS20Z-./D..08.B.	9.04	5.75	6.14	22.87	4.51	5.37	25.47	27.28	29.69	25.47
BS20-./D..09.A.	9.86	3.09	6.93	21.04	4.88	6.18	24.70	25.28	28.80	24.70
BS20Z-./D..09.B.	12.15	3.09	6.93	23.33	4.88	6.18	26.99	27.54	31.09	26.99

Dimensions in inch

The actual gearbox design can vary from the geometry shown. Generate drive specific 3D and 2D geometries under [www.BauerCat.com](http://www.BauerCat.com).

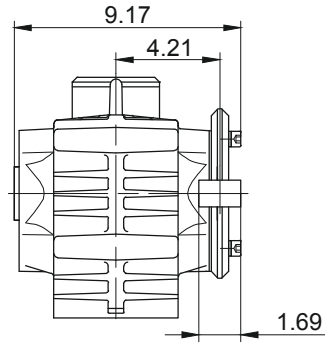
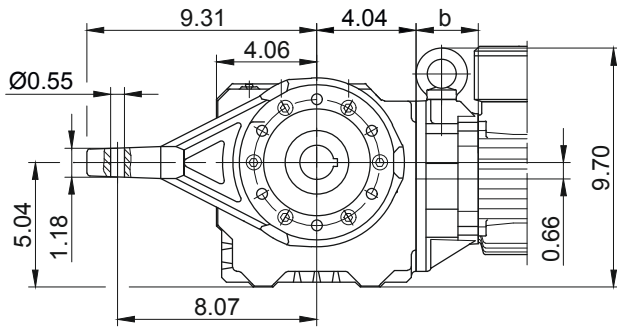
# BS-series worm-gear motors

## Dimension - Standard Imperial

### BS20 - BS20Z

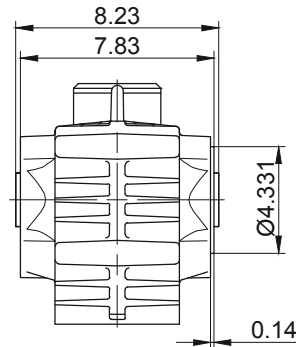
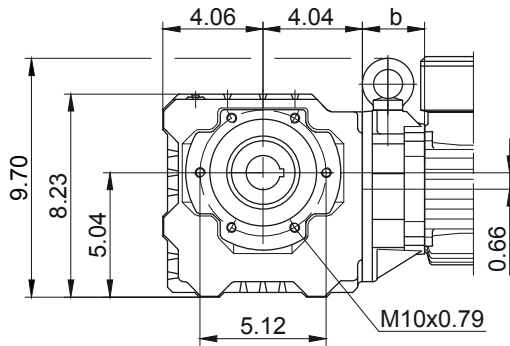
Torque arm at front

Code -5.V/



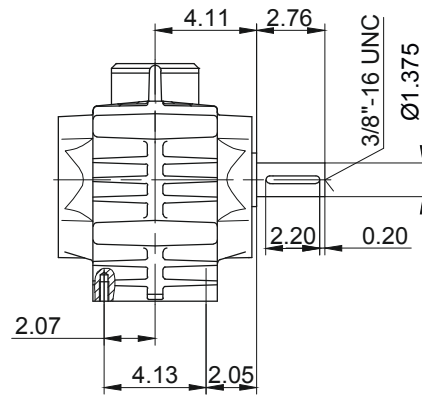
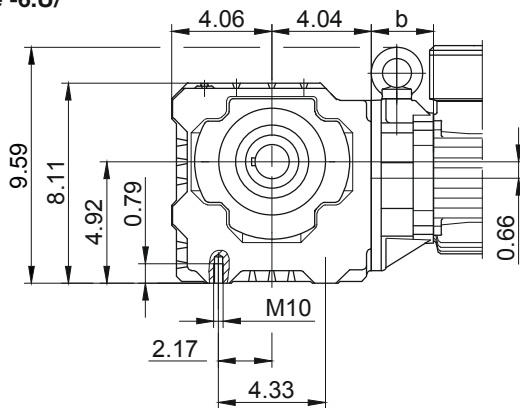
Foot with tapped holes at front

Code -7.V/



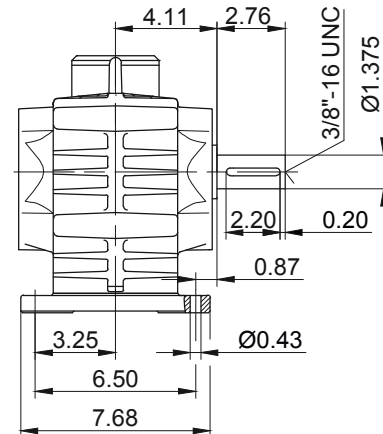
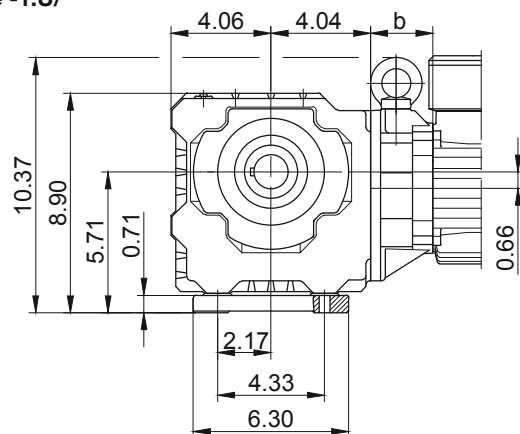
Foot with tapped holes at bottom

Code -6.U/



Foot with clearance holes at bottom

Code -1.U/



The actual gearbox design can vary from the geometry shown. Generate drive specific 3D and 2D geometries under [www.BauerCat.com](http://www.BauerCat.com).

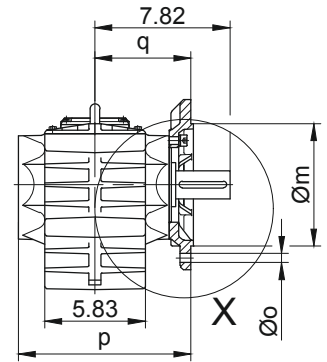
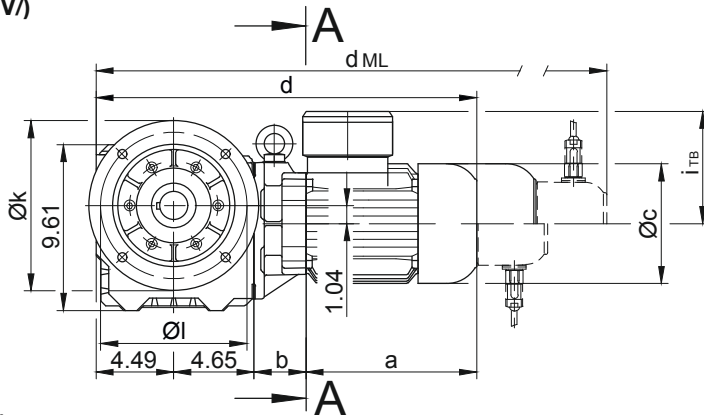
# BS-series worm-geared motors

## Dimension - Standard Imperial

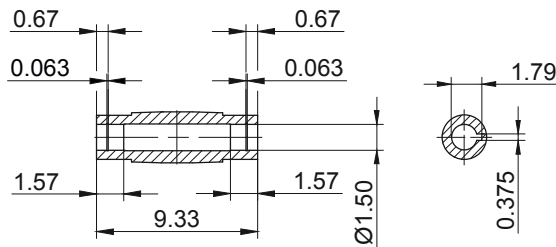
### BS30 - BS30Z

Flange with clearance holes at front

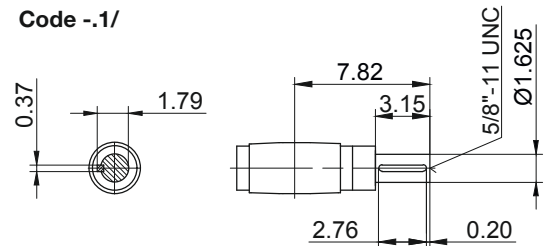
Code -3.V/  
(Code -4.V/)



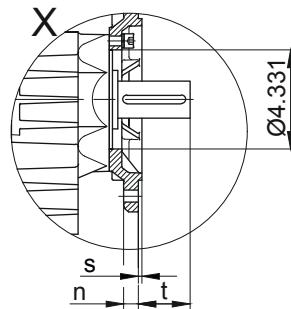
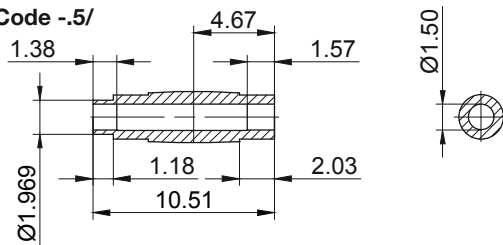
Code -4/



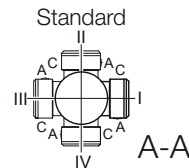
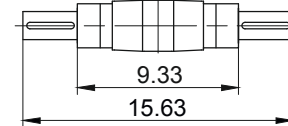
Code -1/



Code -5/



Code -3/



Flange Dimensions											Shaft extension tolerance: up to 1.5 in diameter: +0.000 / -0.0005 in over 1.5 in diameter: +0.000 / -0.001 in Flange spigot diameter: +0.0003 / -0.0015 in
Type	Design	k	l	m	n	o	p	q	s	t	
BS30..	Code -3.V/	9.843	8.465	7.087	0.630	0.531	9.980	5.551	0.157	2.264	
BS30..	Code -4.V/	11.811	10.433	9.055	0.787	0.531	10.217	5.787	0.157	2.028	

Dimensions in inch

Type	a	b	c	d	i	Design with motor extensions				
						iTB	Brake	Encoder	Brake with Encoder	Back Stop
							d <sub>ML</sub>	d <sub>ML</sub>	d <sub>ML</sub>	d <sub>ML</sub>
BS30-../D..05.A.	6.72	2.28	4.84	18.13	3.98	4.61	19.79	22.17	23.65	-
BS30Z-../D..05.A.	6.72	5.26	4.84	21.11	3.98	4.61	22.76	25.14	26.62	-
BS30-../D..06.A.	6.70	2.28	4.84	18.12	3.90	4.69	19.78	22.16	23.63	-
BS30Z-../D..06.A.	6.70	5.26	4.84	21.09	3.90	4.69	22.75	25.13	26.61	-
BS30-../D..07.A.	7.49	2.28	4.84	18.91	3.90	4.69	20.56	22.94	24.42	-
BS30Z-../D..07.A.	7.49	5.26	4.84	21.88	3.90	4.69	23.54	25.92	27.39	-
BS30-../D..08.A.	7.85	2.44	6.14	19.43	4.51	5.37	22.03	23.84	26.26	22.03
BS30Z-../D..08.A.	7.85	5.41	6.14	22.40	4.51	5.37	25.00	26.81	29.23	25.00
BS30-../D..08.B.	9.04	2.44	6.14	20.61	4.51	5.37	23.21	25.02	27.42	23.21
BS30Z-../D..08.B.	9.04	5.41	6.14	23.58	4.51	5.37	26.18	27.99	30.39	26.18
BS30-../D..09.A.	9.86	3.01	6.93	22.01	4.88	6.18	25.67	26.24	29.77	25.67
BS30Z-../D..09.A.	9.86	5.98	6.93	24.98	4.88	6.18	28.64	29.22	32.74	28.64
BS30-../D..09.B.	12.15	3.01	6.93	24.29	4.88	6.18	27.95	28.51	32.05	27.95
BS30Z-../D..09.B.	12.15	5.98	6.93	27.26	4.88	6.18	30.93	31.48	35.02	30.93
BS30-../D..11.A.	12.56	3.27	8.58	24.96	6.50	6.93	28.82	29.20	32.84	28.82
BS30Z-../D..11.B.	15.24	3.27	8.58	27.64	6.50	6.93	31.42	31.87	35.52	31.42

Dimensions in inch

The actual gearbox design can vary from the geometry shown. Generate drive specific 3D and 2D geometries under [www.BauerCat.com](http://www.BauerCat.com).



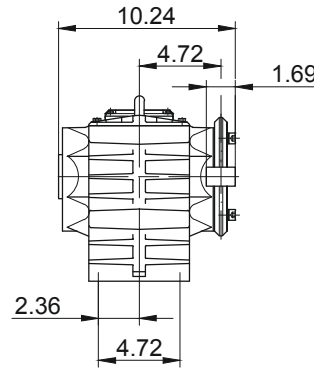
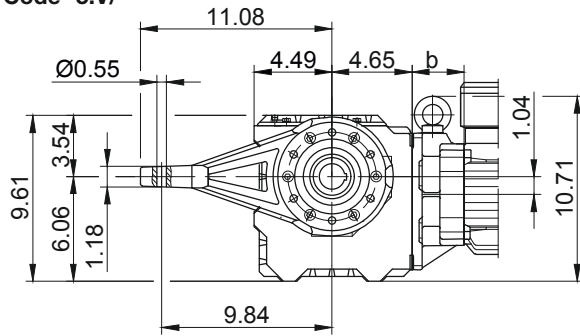
# BS-series worm-gear motors

## Dimension - Standard Imperial

### BS30 - BS30Z

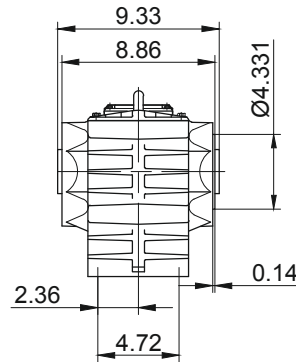
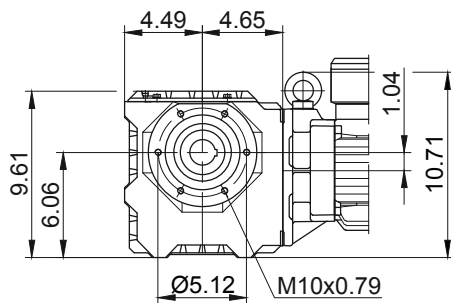
Torque arm at front

Code -5.V/



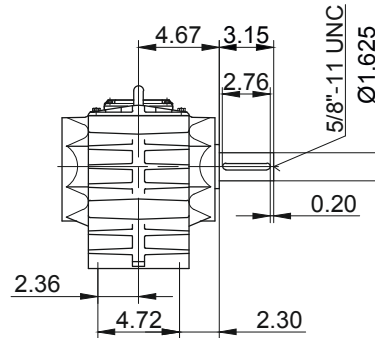
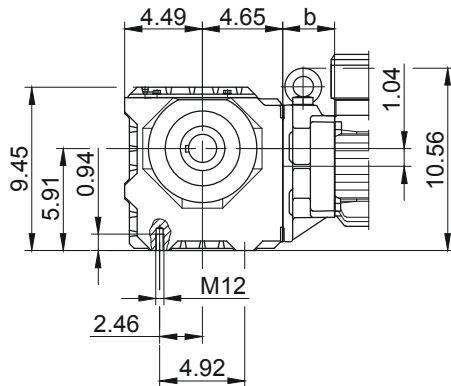
Foot with tapped holes at front

Code -7.V/



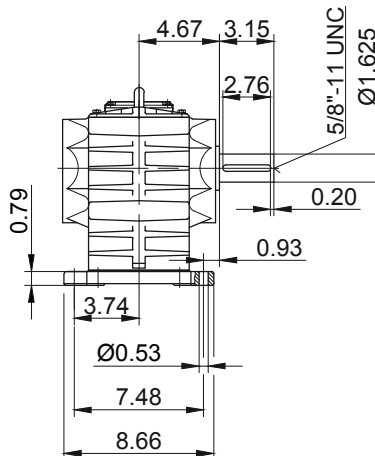
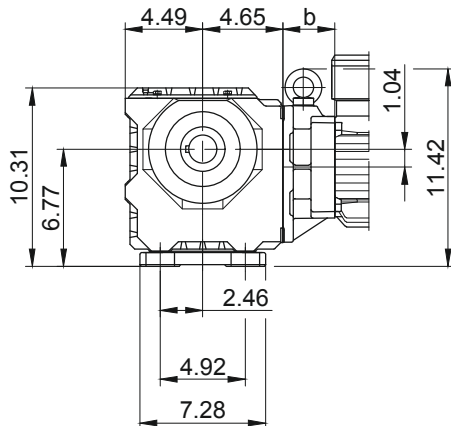
Foot with tapped holes at bottom

Code -6.U/



Foot with clearance holes at bottom

Code -1.U/



The actual gearbox design can vary from the geometry shown. Generate drive specific 3D and 2D geometries under [www.BauerCat.com](http://www.BauerCat.com).

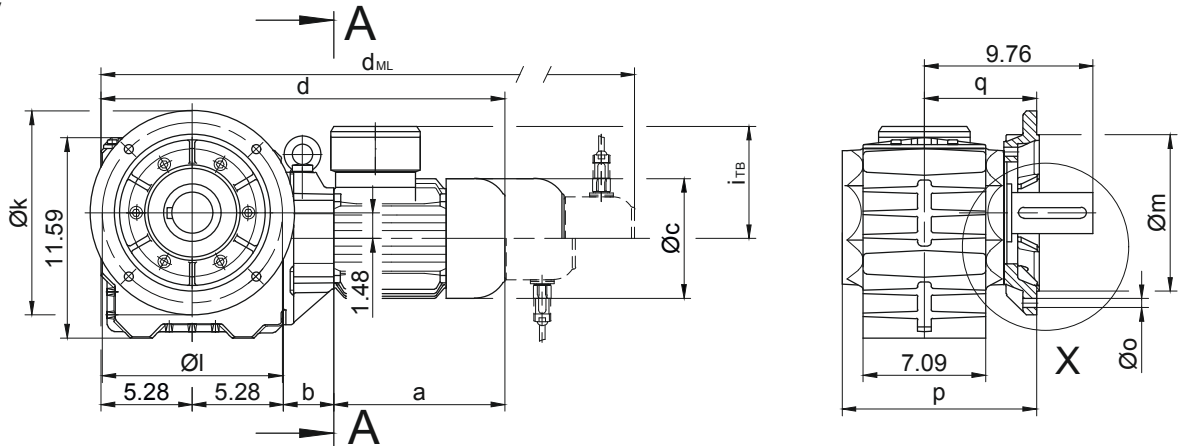
# BS-series worm-geared motors

## Dimension - Standard Imperial

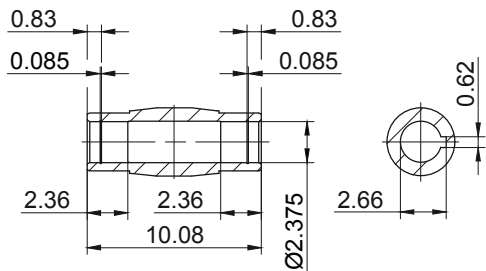
### BS40 - BS40Z

Flange with clearance holes at front

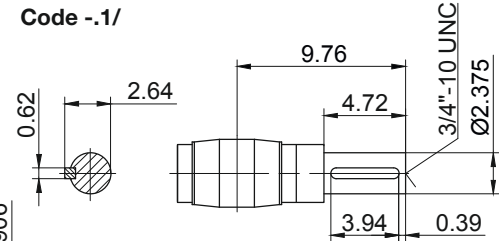
Code -3.V/



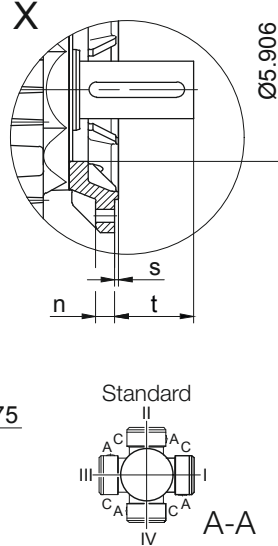
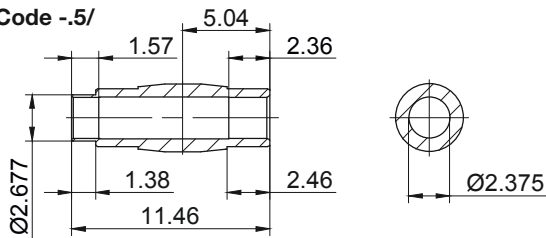
### Code -4/



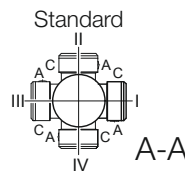
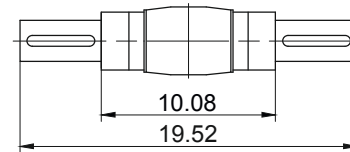
### Code -1/



### Code -5/



### Code -3/



Flange Dimensions											Shaft extension tolerance: up to 1.5 in diameter: +0.000 / -0.0005 in over 1.5 in diameter: +0.000 / -0.001 in Flange spigot diameter: +0.0003 / -0.0015 in
Type	Design	k	l	m	n	o	p	q	s	t	
BS40..	Code -3.V/	11.811	10.433	9.055	0.787	0.531	11.260	6.496	0.157	3.263	

Dimensions in inch

Type	a	b	c	d	i	Design with motor extensions				
						$i_{TB}$	Brake	Encoder	Brake with Encoder	Back Stop
							$d_{ML}$	$d_{ML}$	$d_{ML}$	$d_{ML}$
BS40Z-../D..05.A.	6.72	5.45	4.84	22.72	3.98	4.61	24.37	26.76	28.23	-
BS40Z-../D..06.A.	6.70	5.45	4.84	22.71	3.90	4.69	24.36	26.74	28.22	-
BS40Z-../D..07.A.	7.49	5.45	4.84	23.50	3.90	4.69	25.15	27.53	29.01	-
BS40-../D..08.A.	7.85	2.36	6.14	20.77	4.51	5.37	23.37	25.18	27.60	23.37
BS40Z-../D..08.A.	7.85	5.61	6.14	24.02	4.51	5.37	26.61	28.43	30.85	26.61
BS40-../D..08.B.	9.04	2.36	6.14	21.95	4.51	5.37	24.55	26.36	28.76	24.55
BS40Z-../D..08.B.	9.04	5.61	6.14	25.20	4.51	5.37	27.80	29.61	32.01	27.80
BS40-../D..09.A.	9.86	2.93	6.93	23.35	4.88	6.18	27.01	27.58	31.11	27.01
BS40Z-../D..09.A.	9.86	6.18	6.93	26.59	4.88	6.18	30.26	30.83	34.35	30.26
BS40-../D..09.B.	12.15	2.93	6.93	25.63	4.88	6.18	29.29	29.85	33.39	29.29
BS40Z-../D..09.B.	12.15	6.18	6.93	28.88	4.88	6.18	32.54	33.09	36.64	32.54
BS40-../D..11.A.	12.56	3.19	8.58	26.30	6.50	6.93	30.16	30.54	34.18	30.16
BS40-../D..11.B.	15.24	3.19	8.58	28.98	6.50	6.93	32.76	33.21	36.85	32.76

Dimensions in inch

The actual gearbox design can vary from the geometry shown. Generate drive specific 3D and 2D geometries under [www.BauerCat.com](http://www.BauerCat.com).

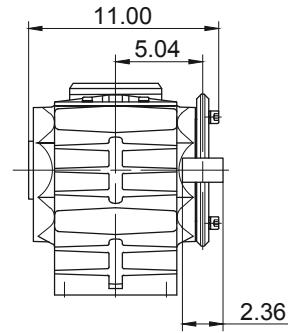
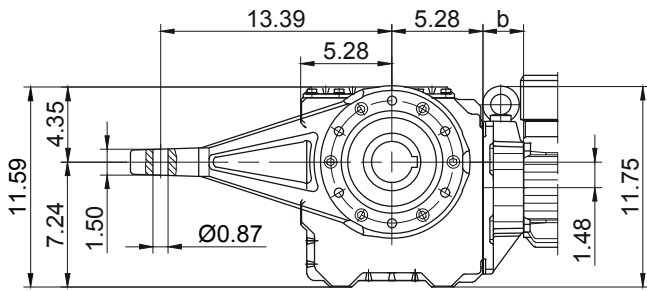
# BS-series worm-geared motors

## Dimension - Standard Imperial

### BS40 - BS40Z

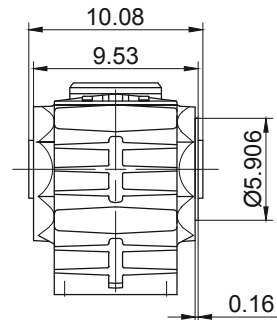
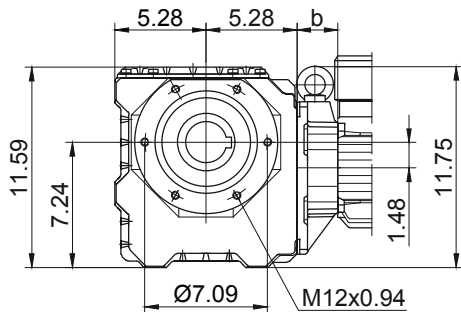
Torque arm at front

Code -5.V/



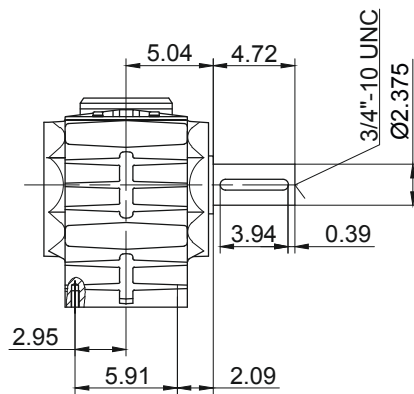
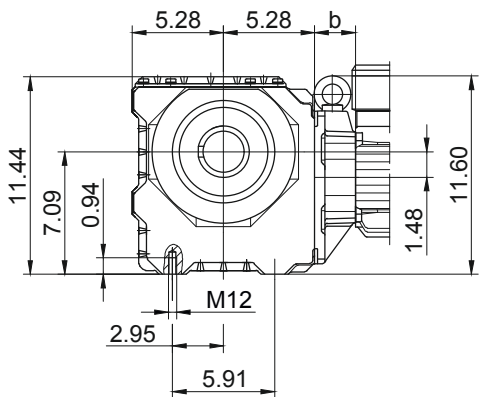
Foot with tapped holes at front

Code -7.V/



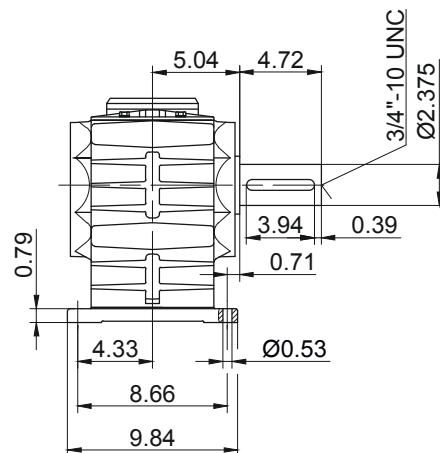
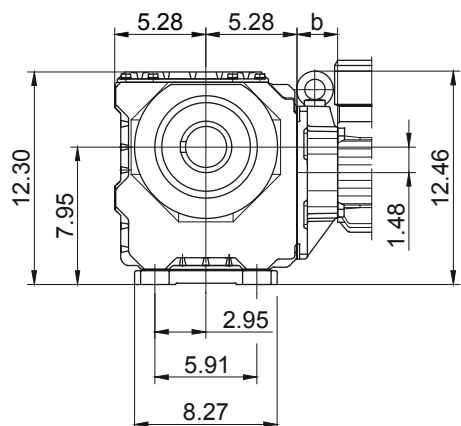
Foot with tapped holes at bottom

Code -6.U/



Foot with clearance holes at bottom

Code -1.U/



The actual gearbox design can vary from the geometry shown. Generate drive specific 3D and 2D geometries under [www.BauerCat.com](http://www.BauerCat.com).

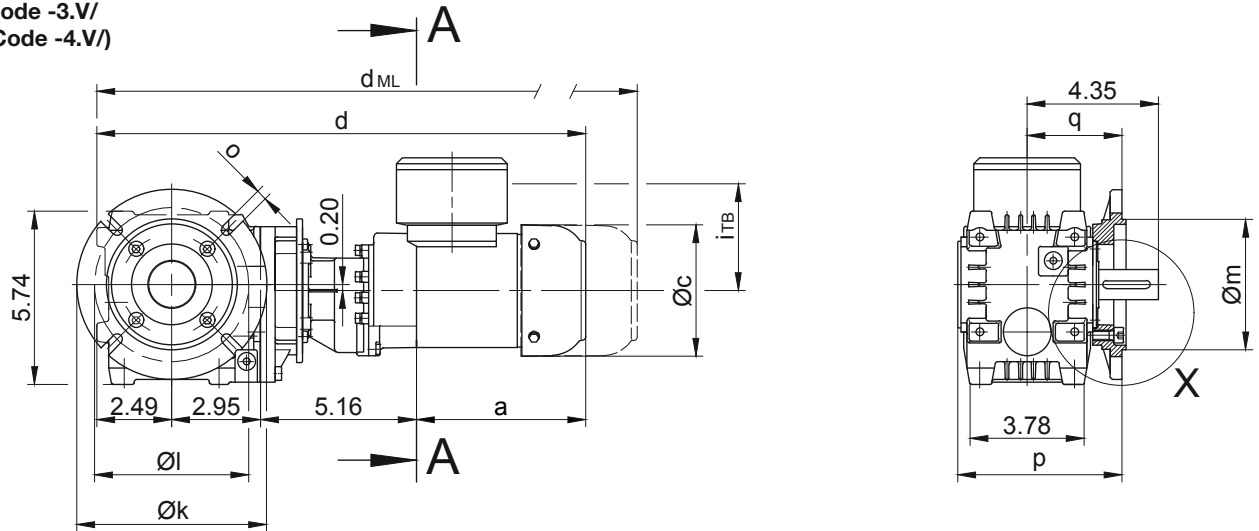
# BS-series worm-geared motors

## Dimension - Tandem Gearbox Imperial

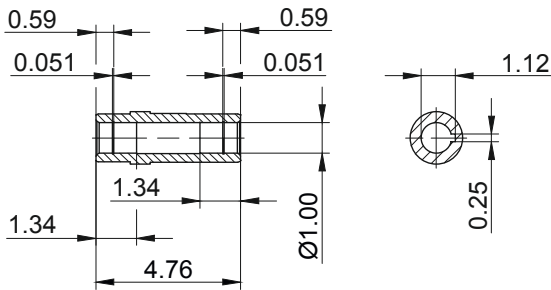
### BS06G04

Flange with clearance holes at front

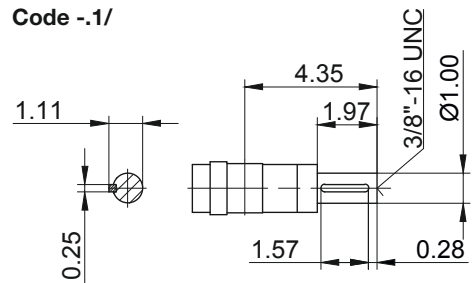
Code -3.V/  
(Code -4.V/)



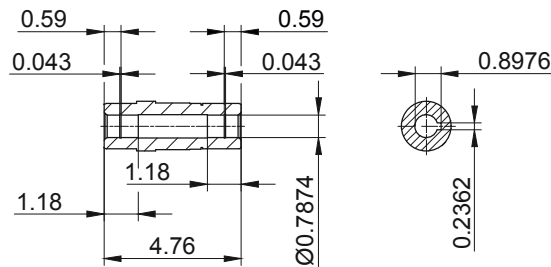
### Code -4/ Standard



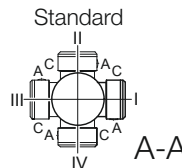
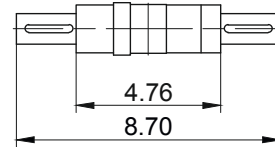
### Code -1/



### Code -4/K20



### Code -3/



Flange Dimensions											Shaft extension tolerance: up to 1.5 in diameter: +0.000 / -0.0005 in over 1.5 in diameter: +0.000 / -0.001 in Flange spigot diameter: +0.0003 / -0.0015 in
Type	Design	k	l	m	n	o	p	q	s	t	
BS06..	Code -3.V/	5.512	4.528	3.740	0.394	0.354	5.445	3.150	0.118	1.201	
BS06..	Code -4.V/	6.299	5.118	4.331	0.394	0.354	5.445	3.150	0.138	1.201	

Type	a	b	c	d	i	Design with motor extensions				
						iT <sub>B</sub>	Brake	Encoder	Brake with Encoder	Back Stop
							d <sub>ML</sub>	d <sub>ML</sub>	d <sub>ML</sub>	d <sub>ML</sub>
BS06G04-./D04.A.	5.61	5.16	4.35	16.20	3.54	4.41	17.91	19.64	21.35	-

The actual gearbox design can vary from the geometry shown. Generate drive specific 3D and 2D geometries under [www.BauerCat.com](http://www.BauerCat.com).

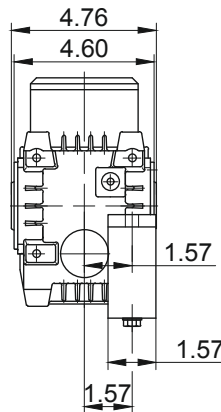
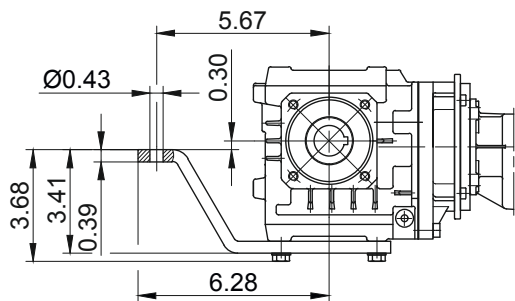
# BS-series worm-geared motors

## Dimension - Tandem Gearbox Imperial

### BS06G04

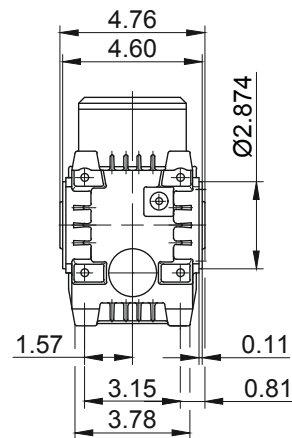
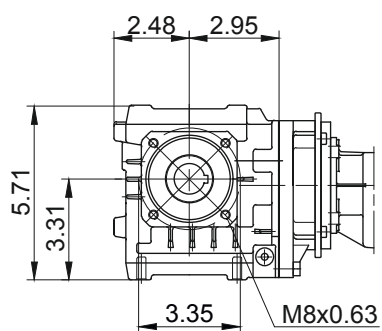
Torque arm at front

Code -5.V/



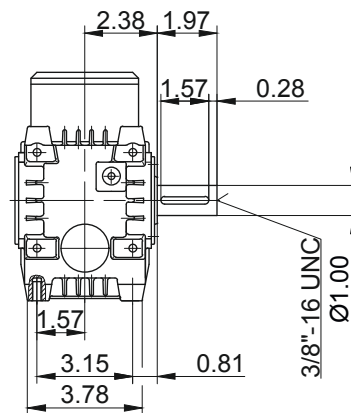
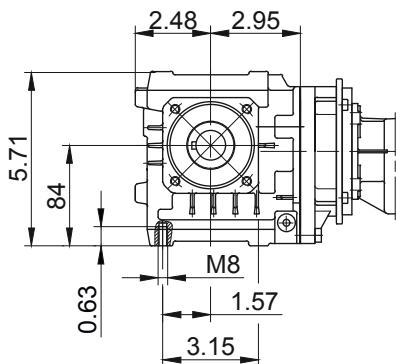
Flange with tapped holes at front

Code -7.V/



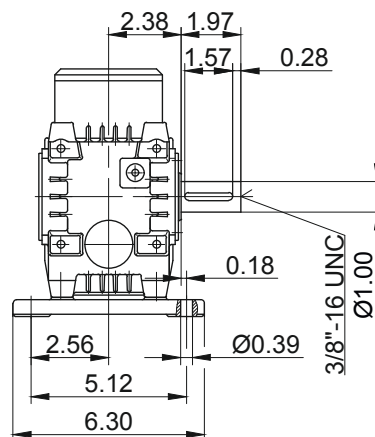
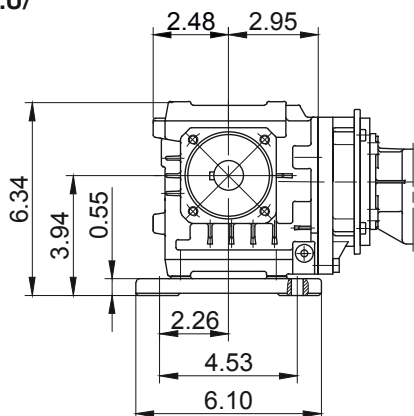
Foot with tapped holes at bottom

Code -6.U/



Foot with clearance holes at bottom

Code -1.U/



The actual gearbox design can vary from the geometry shown. Generate drive specific 3D and 2D geometries under [www.BauerCat.com](http://www.BauerCat.com).

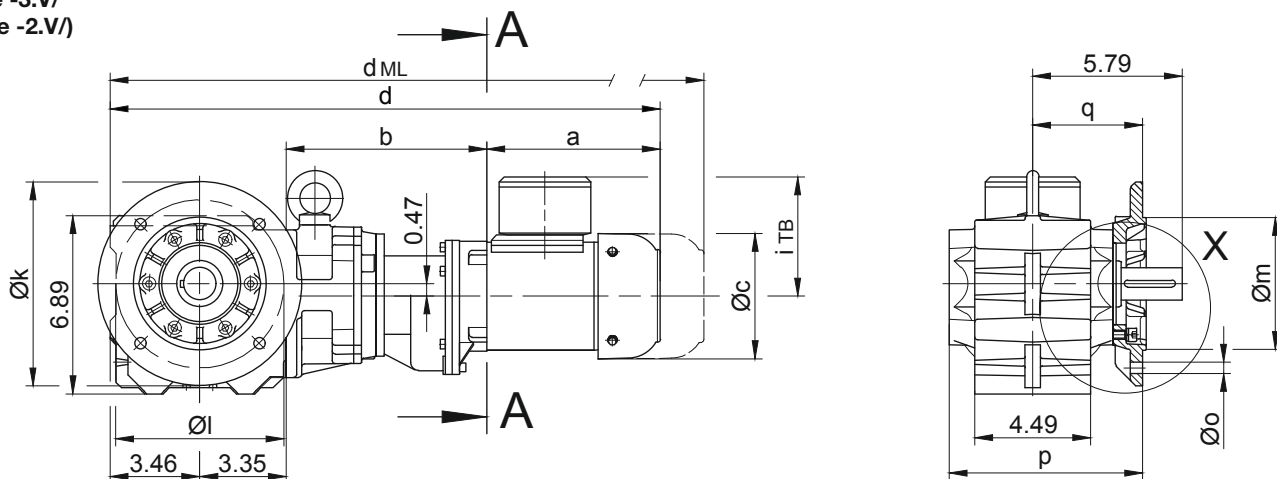
# BS-series worm-geared motors

## Dimension - Tandem Gearbox Imperial

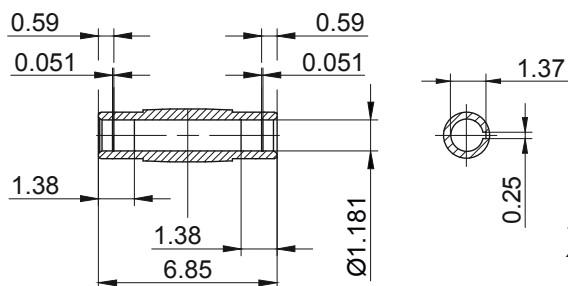
### BS10G06

Flange with clearance holes at front

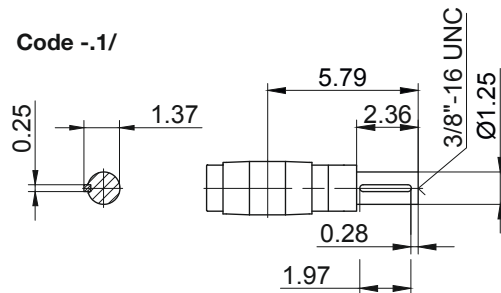
Code -3.V/  
(Code -2.V)



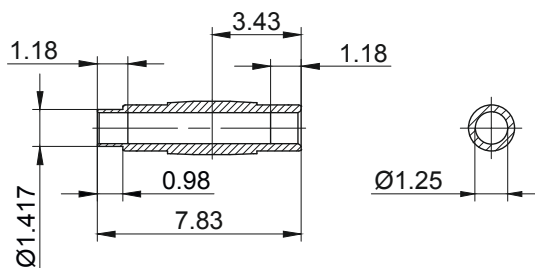
### Code -.4/



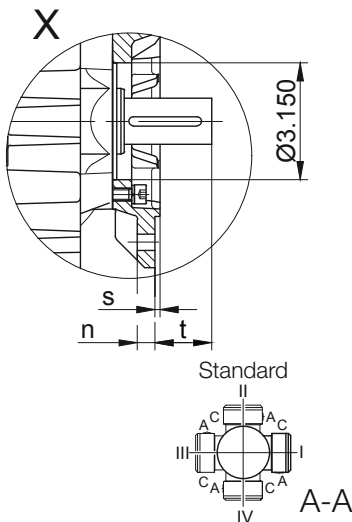
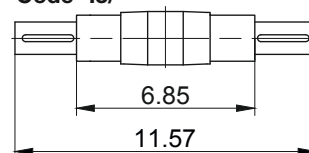
### Code -.1/



### Code -.5/



### Code -.3/



Flange Dimensions										Shaft extension tolerance:		
Type	Design	k	l	m	n	o	p	q	s	t	up to 1.5 in diameter: +0.000 / -0.0005 in	
BS10..	Code -3.V/	7.874	6.496	5.118	0.472	0.433	7.480	4.252	0.138	1.533	over 1.5 in diameter: +0.000 / -0.001 in	
BS10..	Code -2.V/	6.299	5.118	4.331	0.394	0.354	7.205	3.976	0.138	1.809	Flange spigot diameter: +0.0003 / -0.0015 in	

Type	a	b	c	d	i	Design with motor extensions				
						iTB	Brake	Encoder	Brake with Encoder	Back Stop
							d <sub>ML</sub>	d <sub>ML</sub>	d <sub>ML</sub>	d <sub>ML</sub>
BS10G06-../D04.A.	5.61	7.68	4.35	20.10	3.54	4.41	21.81	23.54	25.25	-
BS10G06-../D..05.A.	6.72	7.76	4.84	21.28	3.98	4.61	22.94	25.32	26.80	-
BS10G06-../D..06.A.	6.70	7.76	4.84	21.27	3.90	4.69	22.93	25.31	26.78	-
BS10G06-../D..07.A.	7.49	7.76	4.84	22.06	3.90	4.69	23.71	26.09	27.57	-
BS10G06-../D..08.A.	7.85	9.49	6.14	24.15	4.51	5.37	26.75	28.56	30.98	26.75
BS10G06-../D..08.B.	9.04	9.49	6.14	25.33	4.51	5.37	27.93	29.74	32.15	27.93

Dimensions in inch

The actual gearbox design can vary from the geometry shown. Generate drive specific 3D and 2D geometries under [www.BauerCat.com](http://www.BauerCat.com).

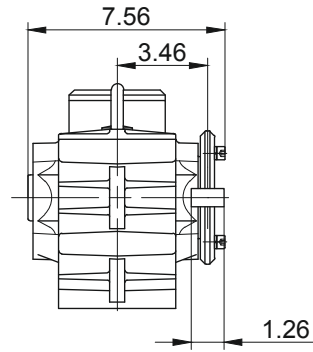
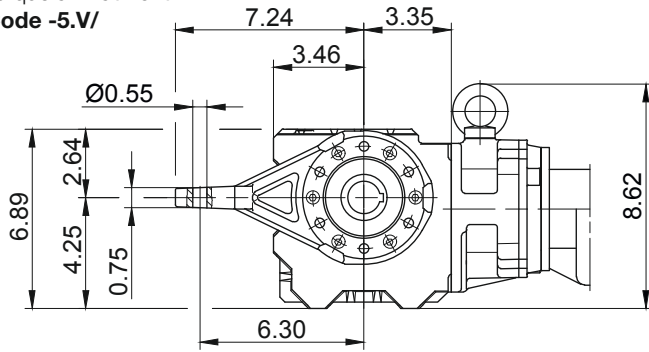
# BS-series worm-gear motors

## Dimension - Tandem Gearbox Imperial

### BS10G06

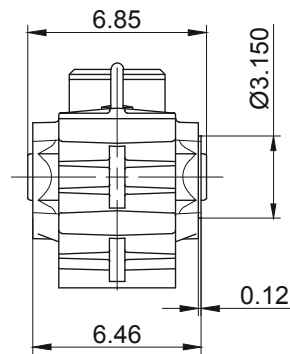
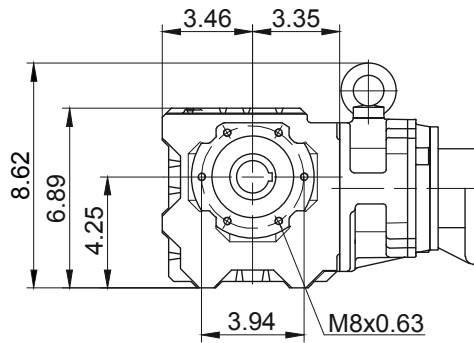
Torque arm at front

Code -5.V/



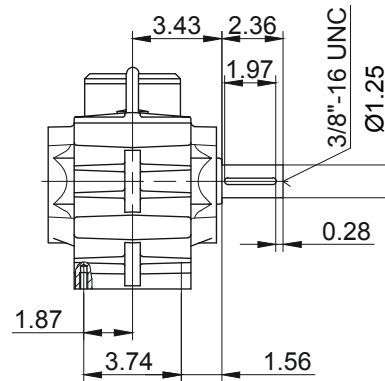
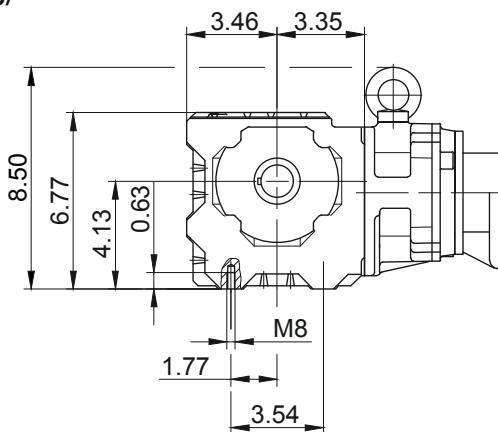
Flange with tapped holes at front

Code -7.V/



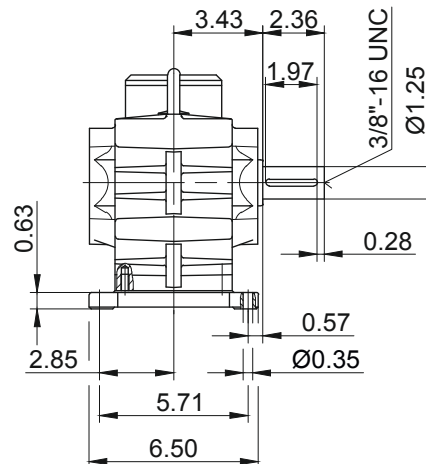
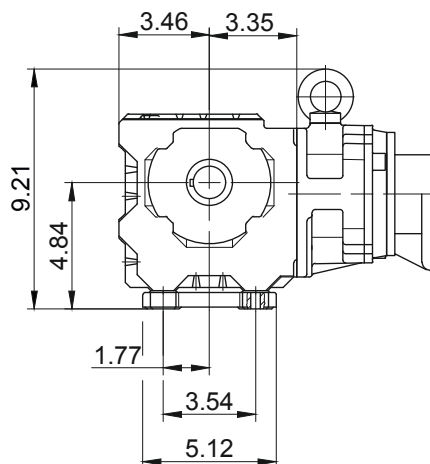
Foot with tapped holes at bottom

Code -6.U/



Foot with clearance holes at bottom

Code -1.U/



The actual gearbox design can vary from the geometry shown. Generate drive specific 3D and 2D geometries under [www.BauerCat.com](http://www.BauerCat.com).

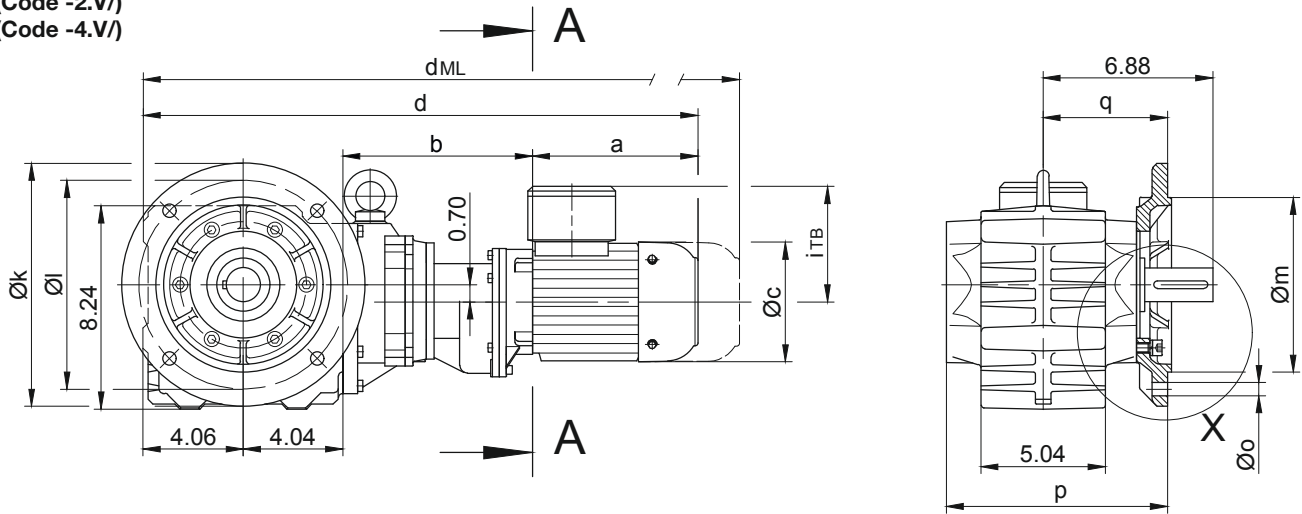
# BS-series worm-geared motors

## Dimension - Tandem Gearbox Imperial

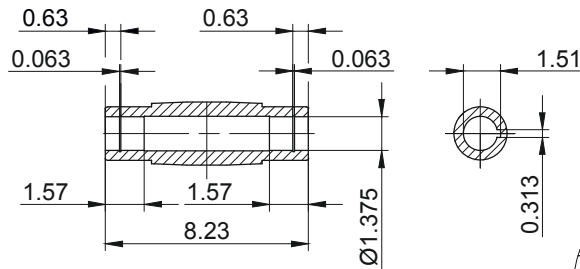
### BS20G06

Flange with clearance holes at front

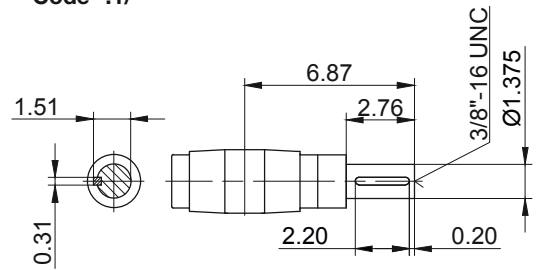
Code -3.V/  
(Code -2.V/  
(Code -4.V/)



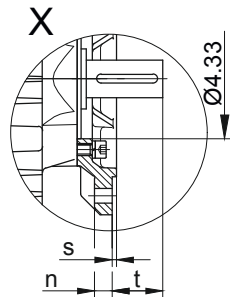
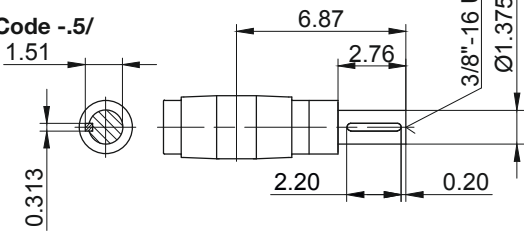
### Code -4/



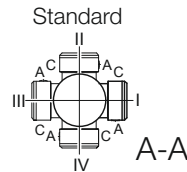
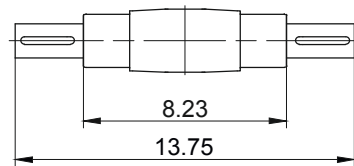
### Code -1/



### Code -5/



### Code -3/



Flange Dimensions										
Type	Design	k	l	m	n	o	p	q	s	t
BS20..	Code -3.V/	9.843	8.465	7.087	0.630	0.531	8.957	5.039	0.157	1.835
BS20..	Code -2.V/	7.874	6.496	5.118	0.472	0.433	8.839	4.921	0.138	1.953
BS20..	Code -4.V/	11.811	10.433	9.055	0.787	0.531	9.193	5.276	0.157	1.599

Shaft extension tolerance:  
up to 1.5 in diameter: +0.000 / -0.0005 in  
over 1.5 in diameter: +0.000 / -0.001 in  
Flange spigot diameter: +0.0003 / -0.0015 in

Type	a	b	c	d	i	Design with motor extensions				
						iTB	Brake	Encoder	Brake with Encoder	Back Stop
							d <sub>ML</sub>	d <sub>ML</sub>	d <sub>ML</sub>	d <sub>ML</sub>
BS20G06-../D04.A.	5.61	7.60	4.35	21.30	3.54	4.41	23.01	24.74	26.45	-
BS20G06-../D..05.A.	6.72	7.68	4.84	22.48	3.98	4.61	24.14	26.52	28.00	-
BS20G06-../D..06.A.	6.70	7.68	4.84	22.47	3.90	4.69	24.13	26.51	27.98	-
BS20G06-../D..07.A.	7.49	7.68	4.84	23.26	3.90	4.69	24.91	27.30	28.77	-
BS20G06-../D..08.A.	7.85	9.41	6.14	25.35	4.51	5.37	27.95	29.76	32.19	27.95
BS20G06-../D..08.B.	9.04	9.41	6.14	26.54	4.51	5.37	29.13	30.94	33.35	29.13

The actual gearbox design can vary from the geometry shown. Generate drive specific 3D and 2D geometries under [www.BauerCat.com](http://www.BauerCat.com).



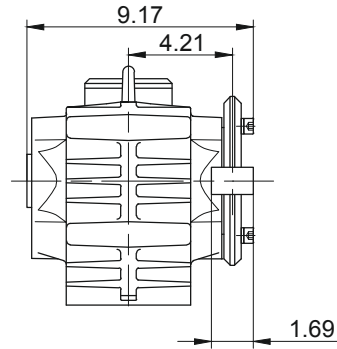
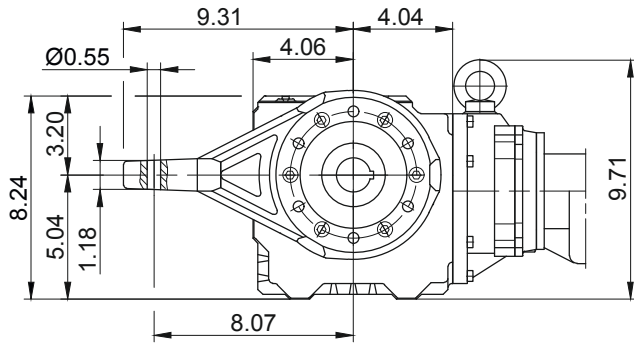
# BS-series worm-gear motors

## Dimension - Tandem Gearbox Imperial

### BS20G06

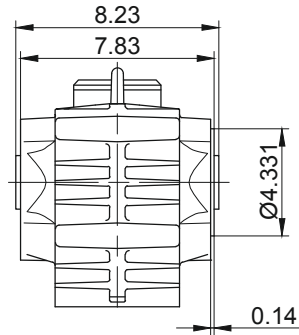
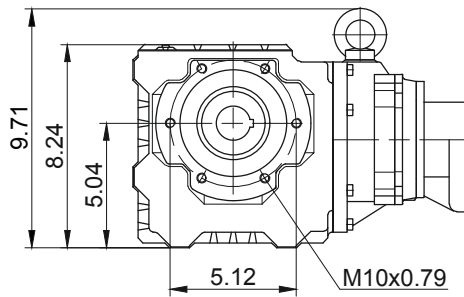
Torque arm at front

Code -5.V/



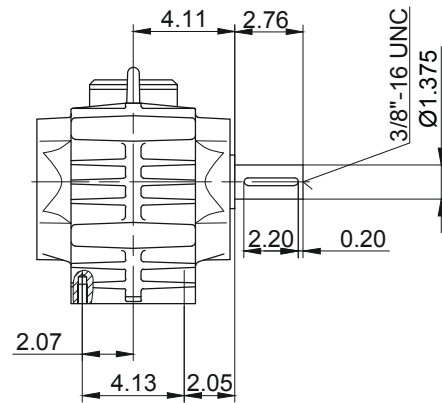
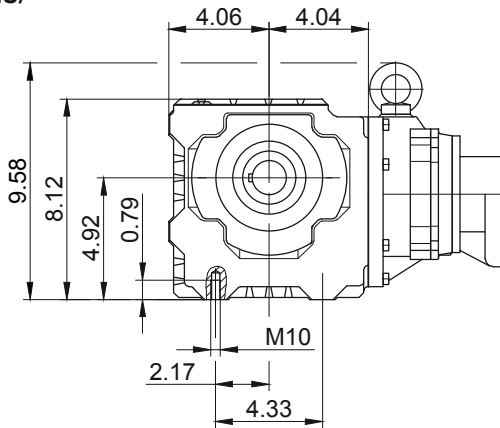
Flange with tapped holes at front

Code -7.V/



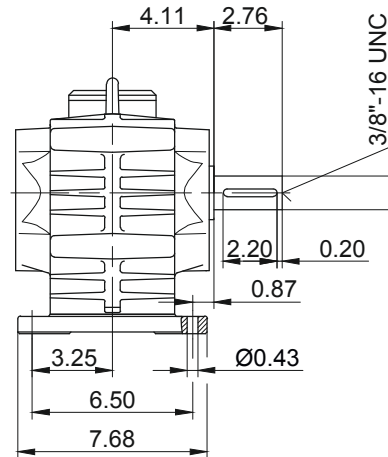
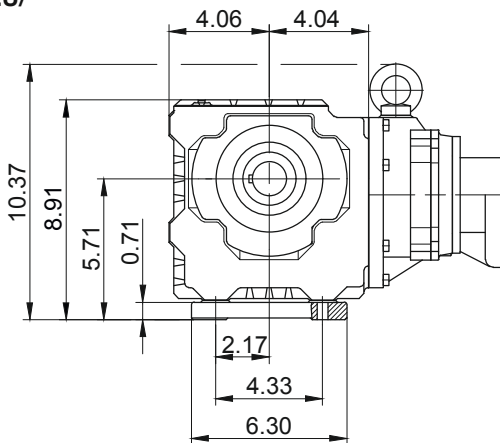
Foot with tapped holes at bottom

Code -6.U/



Foot with clearance holes at bottom

Code -1.U/



The actual gearbox design can vary from the geometry shown. Generate drive specific 3D and 2D geometries under [www.BauerCat.com](http://www.BauerCat.com).

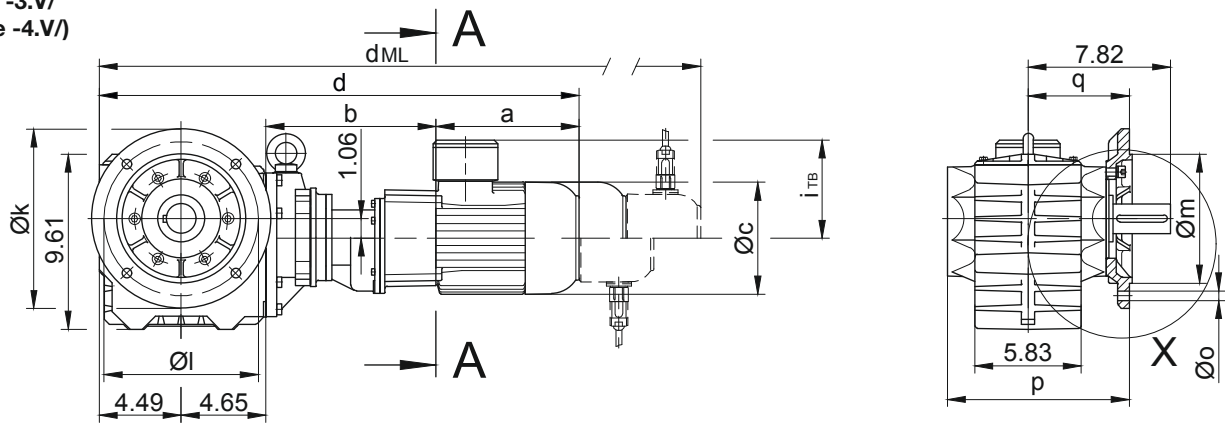
# BS-series worm-geared motors

## Dimension - Tandem Gearbox Imperial

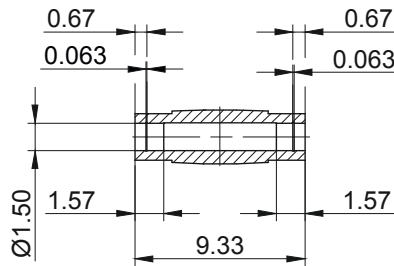
### BS30G06

Flange with clearance holes at front

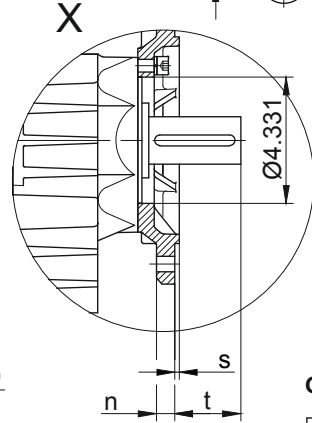
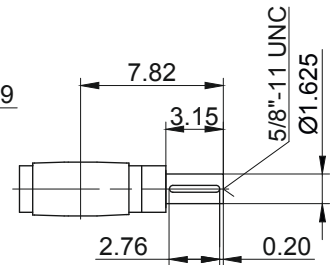
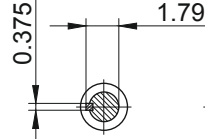
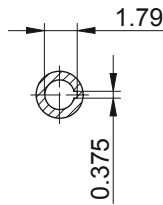
Code -3.V/  
(Code -4.V/)



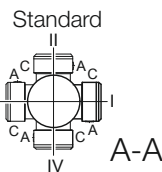
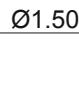
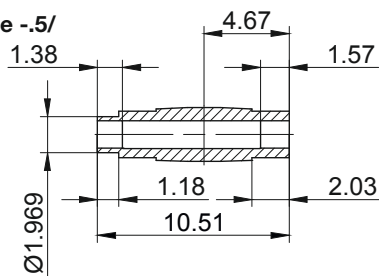
### Code -4/



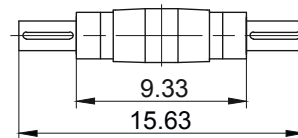
### Code -1/



### Code -5/



### Code -3/



Flange Dimensions											Shaft extension tolerance: up to 1.5 in diameter: +0.000 / -0.0005 in over 1.5 in diameter: +0.000 / -0.001 in Flange spigot diameter: +0.0003 / -0.0015 in
Type	Design	k	l	m	n	o	p	q	s	t	
BS30..	Code -3.V/	9.843	8.465	7.087	0.630	0.531	9.980	5.551	0.157	2.264	
BS30..	Code -4.V/	11.811	10.433	9.055	0.787	0.531	10.217	5.787	0.157	2.028	

Dimensions in inch

Type	a	b	c	d	i	Design with motor extensions				
						iTB	Brake	Encoder	Brake with Encoder	Back Stop
							dML	dML	dML	dML
BS30G06-../D04.A.	5.61	7.52	4.35	22.26	3.54	4.41	23.98	25.70	27.42	-
BS30G06-../D..05.A.	6.72	7.60	4.84	23.45	3.98	4.61	25.10	27.48	28.96	-
BS30G06-../D..06.A.	6.70	7.60	4.84	23.44	3.90	4.69	25.09	27.47	28.95	-
BS30G06-../D..07.A.	7.49	7.60	4.84	24.22	3.90	4.69	25.88	28.26	29.74	-
BS30G06-../D..08.A.	7.85	9.33	6.14	26.32	4.51	5.37	28.92	30.73	33.15	28.92
BS30G06-../D..08.B.	9.04	9.33	6.14	27.50	4.51	5.37	30.10	31.91	34.31	30.10

Dimensions in inch

The actual gearbox design can vary from the geometry shown. Generate drive specific 3D and 2D geometries under [www.BauerCat.com](http://www.BauerCat.com).

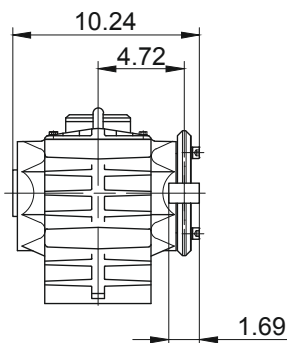
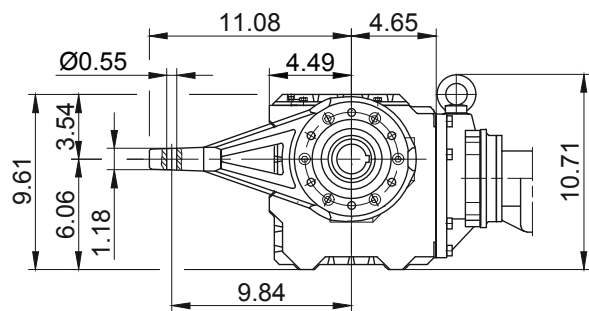
# BS-series worm-geared motors

## Dimension - Tandem Gearbox Imperial

### BS30G06

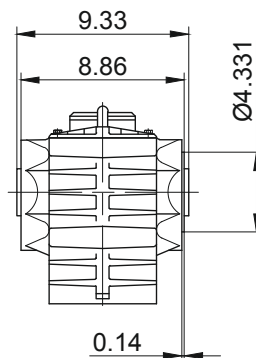
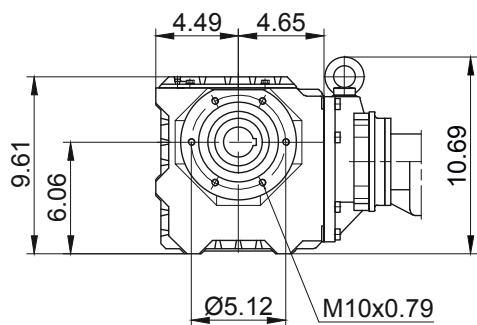
Torque arm at front

Code -5.V/



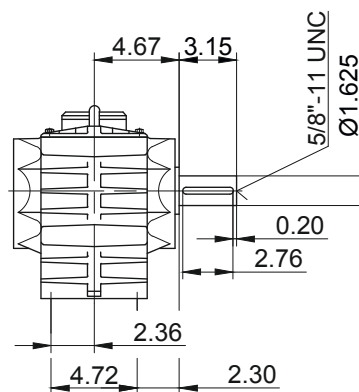
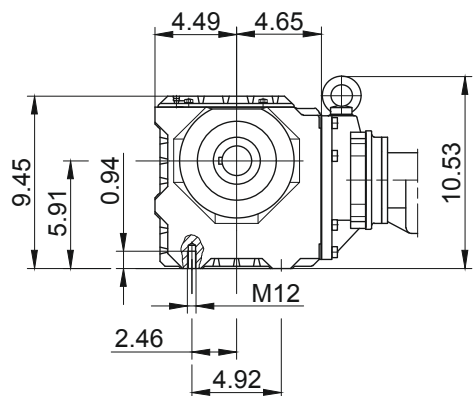
Flange with tapped holes at front

Code -7.V/



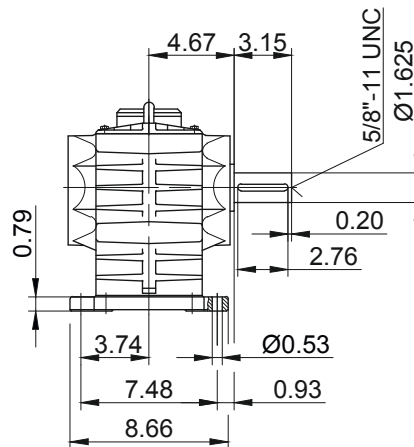
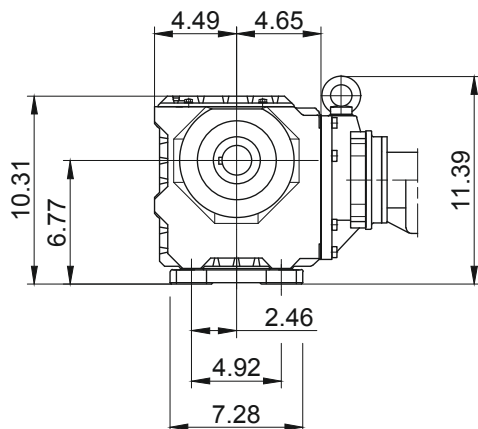
Foot with tapped holes at bottom

Code -6.U/



Foot with clearance holes at bottom

Code -1.U/



The actual gearbox design can vary from the geometry shown. Generate drive specific 3D and 2D geometries under [www.BauerCat.com](http://www.BauerCat.com).

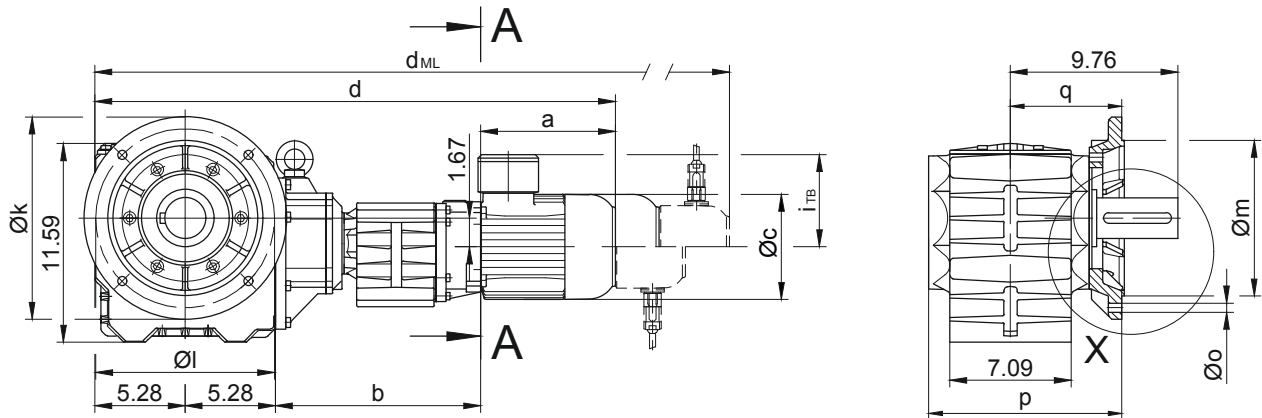
# BS-series worm-geared motors

## Dimension - Tandem Gearbox Imperial

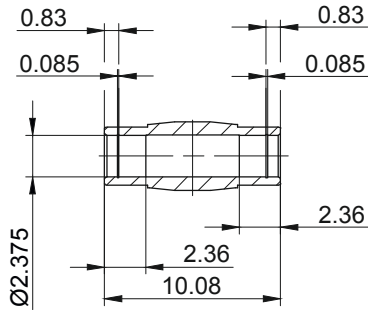
### BS40G10

Flange with clearance holes at front

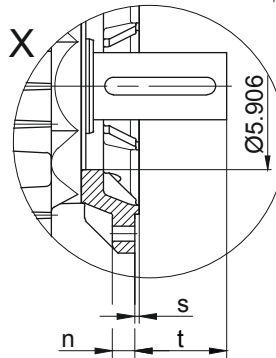
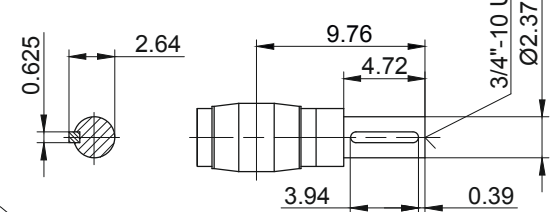
Code -3.V/



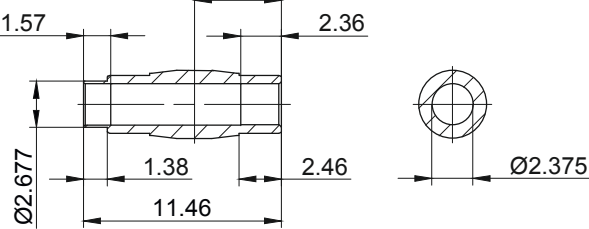
#### Code -4/



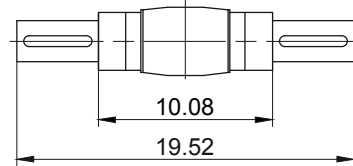
#### Code -1/



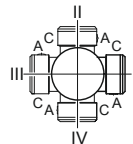
#### Code -5/



#### Code -3/



Standard



A-A

Flange Dimensions											Shaft extension tolerance: up to 1.5 in diameter: +0.000 / -0.0005 in over 1.5 in diameter: +0.000 / -0.001 in Flange spigot diameter: +0.0003 / -0.0015 in
Type	Design	k	l	m	n	o	p	q	s	t	
BS40..	Code -3.V/	11.811	10.433	9.055	0.787	0.531	11.260	6.496	0.157	3.263	

Dimensions in inch

Type	a	b	c	d	i	Design with motor extensions				
						i <sub>TB</sub>	Brake	Encoder	Brake with Encoder	Back Stop
							d <sub>ML</sub>	d <sub>ML</sub>	d <sub>ML</sub>	d <sub>ML</sub>
BS40G10-.../D..05.A.	6.72	11.81	4.84	29.08	3.98	4.61	30.73	33.11	34.59	-
BS40G10-.../D..06.A.	6.70	11.81	4.84	29.07	3.90	4.69	30.72	33.10	34.58	-
BS40G10-.../D..07.A.	7.49	11.81	4.84	29.85	3.90	4.69	31.51	33.89	35.37	-
BS40G10-.../D..08.A.	7.85	11.97	6.14	30.37	4.51	5.37	32.97	34.78	37.20	32.97
BS40G10-.../D..08.B.	9.04	11.97	6.14	31.56	4.51	5.37	34.15	35.96	38.37	34.15
BS40G10-.../D..09.A.	9.86	12.54	6.93	32.95	4.88	6.18	36.61	37.19	40.71	36.61
BS40G10-.../D..09.B.	12.15	12.54	6.93	35.24	4.88	6.18	38.90	39.45	43.00	38.90

Dimensions in inch

The actual gearbox design can vary from the geometry shown. Generate drive specific 3D and 2D geometries under [www.BauerCat.com](http://www.BauerCat.com).

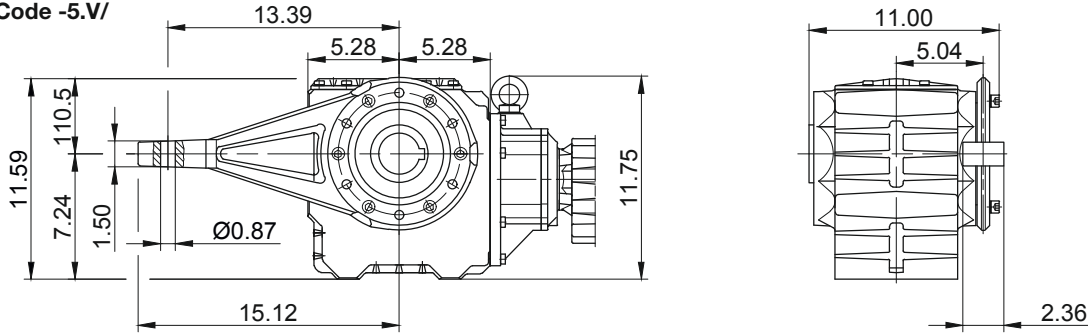
# BS-series worm-geared motors

## Dimension - Tandem Gearbox Imperial

### BS40G10

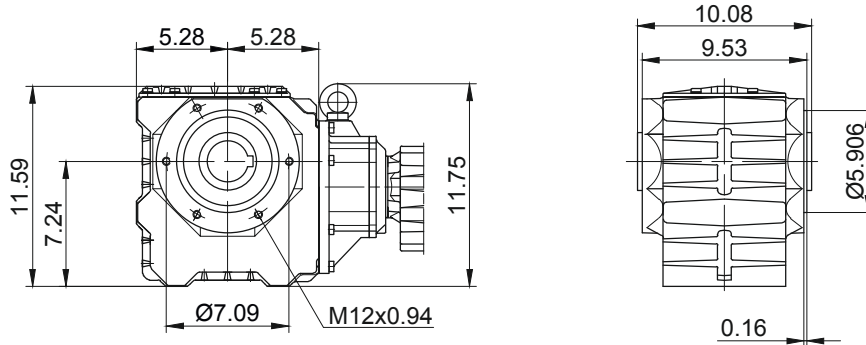
Torque arm at front

Code -5.V/



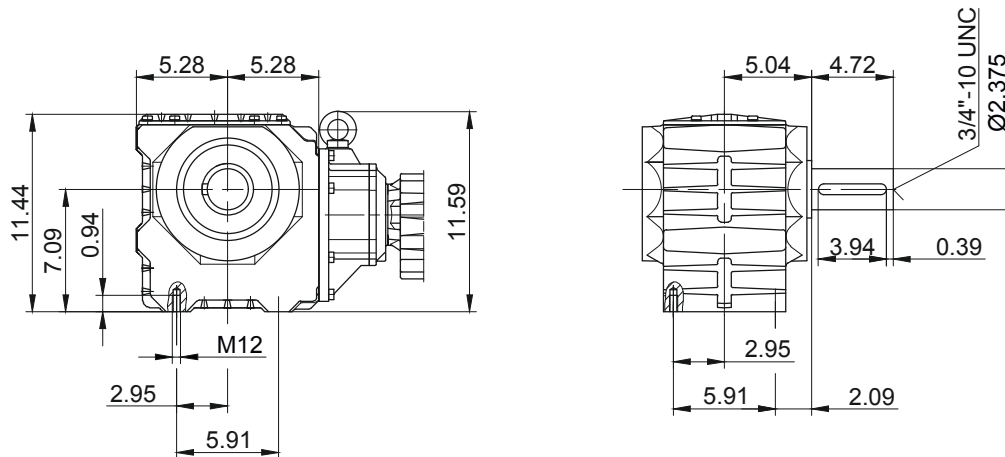
Flange with tapped holes at front

Code -7.V/



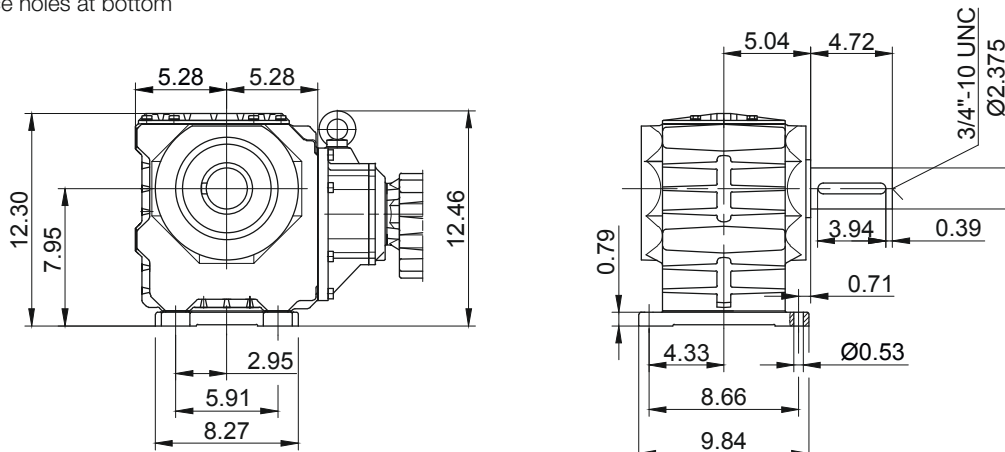
Foot with tapped holes at bottom

Code -6.U/



Foot with clearance holes at bottom

Code -1.U/



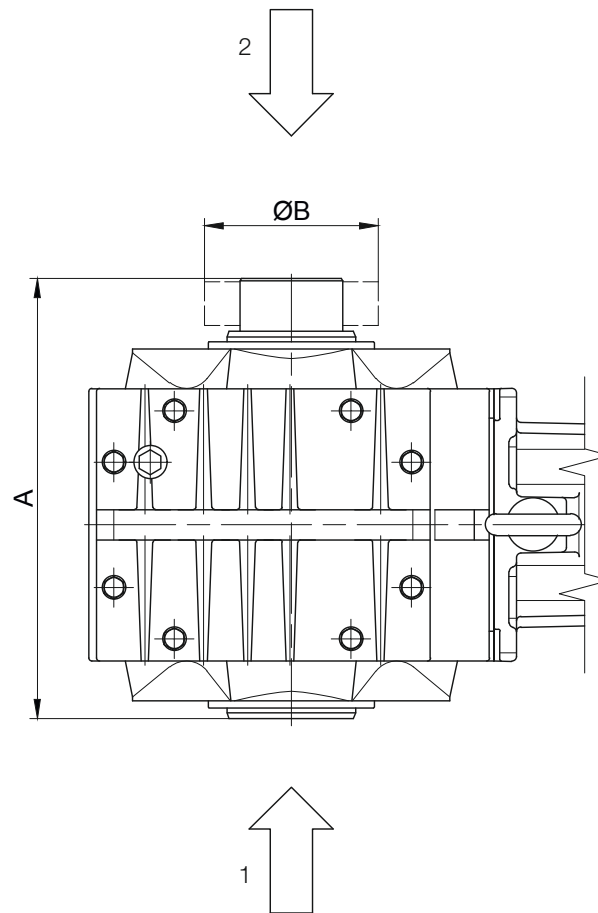
The actual gearbox design can vary from the geometry shown. Generate drive specific 3D and 2D geometries under [www.BauerCat.com](http://www.BauerCat.com).

# BS-series worm-geared motors

## Additional Dimension Sheet Imperial

### Shrink disc couplings (SSV)

(Code BS10Z-.5A/...)  
(Code BK10Z-.5A/...)



- 1 Gear side FRONT (V)
- 2 Gear side REAR (H)

Typ	SSV Ringfeder	SSV STÜWE	A	B
BS10	RfN 4161 036x072	HSD 36-22x36	7.83	2.83
BS20	RfN 4161 044x080	HSD 44-22x44	9.41	3.15
BS30	RfN 4161 050x090	HSD 50-22x50	10.51	3.54
BS40	RfN 4161 062x110	HSD 68-22x68	11.46	4.53
Dimensions in inch				

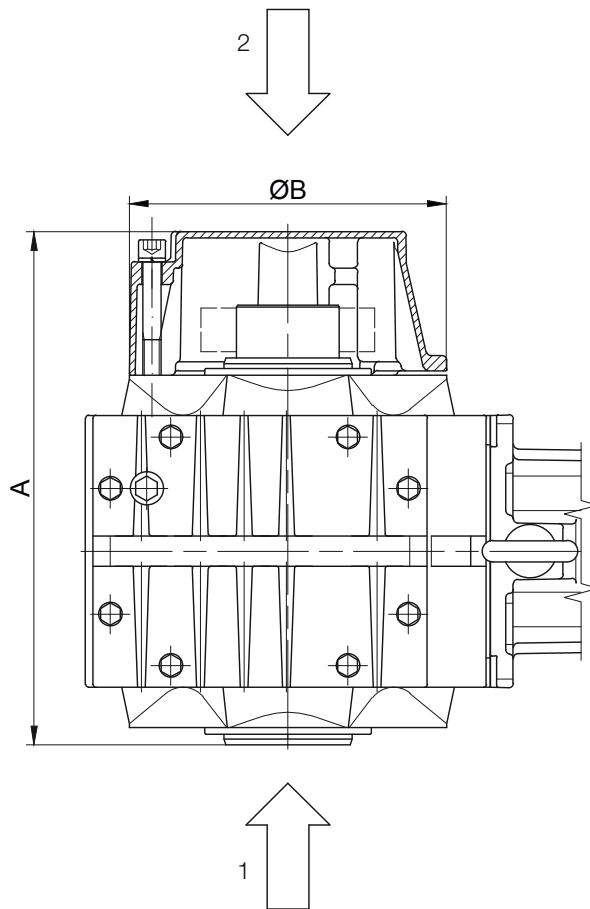
The actual gearbox design can vary from the geometry shown. Generate drive specific 3D and 2D geometries under [www.BauerCat.com](http://www.BauerCat.com).

# BS-series worm-geared motors

## Additional Dimension Sheet Imperial

Shrink disc couplings with (SSV) cover

(Code BS10-.5A/...)  
(Code BS10Z-.5A/...)



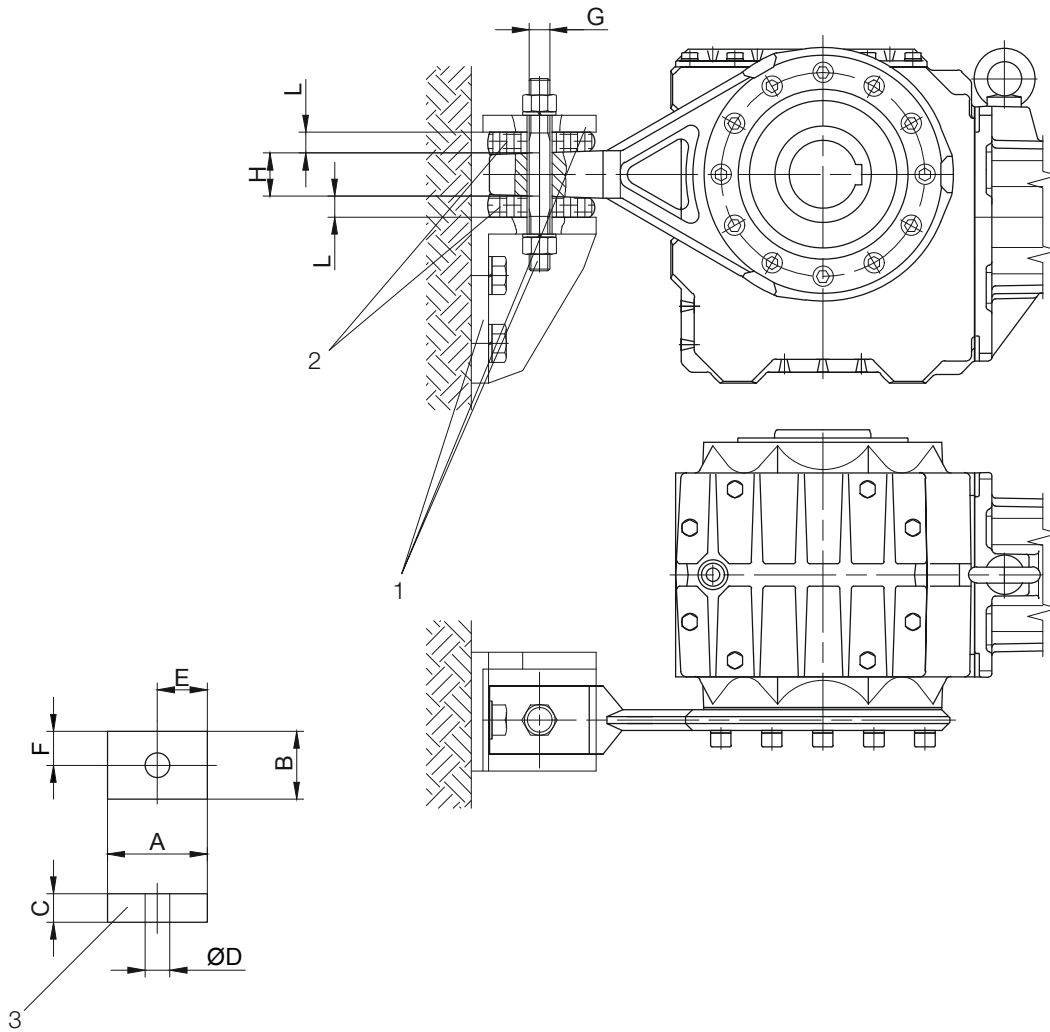
- 1 Gear side FRONT (V)  
2 Gear side REAR (H)

Typ	SSV Ringfeder	SSV STÜWE	A	B
BS10	RfN 4161 036x072	HSD 36-22x36	8.70	4.72
BS20	RfN 4161 044x080	HSD 44-22x44	11.26	6.30
BS30	RfN 4161 050x090	HSD 50-22x50	12.32	6.30
BS40	RfN 4161 062x110	HSD 68-22x68	13.39	8.27
Dimensions in inch				

# BS-series worm-geared motors

## Additional Dimension Sheet Imperial

### Rubber buffer for torque restraint



1 not included in delivery

2 Rubber buffers pretensioned

3 Rubber buffer - only for BS03-BS40

G maximaler Schraubendurchmesser

Material: Natural rubber Hardness 50 +/-5 Shore A

Dimensions of the transverse hole: See dimensioned sketch of the respective shaft mounted gearbox

Gear	Position	A	B	C	D	E	F	G	H	L
BS02	-	-	-	-	-	-	-	M8	0.24	-
BS03	Position 0	1.18	1.18	0.47	0.47	0.59	0.59	M8	0.39	0.41
BS04	Position 0	1.18	1.18	0.47	0.47	0.59	0.59	M8	0.39	0.41
BS06	Position 0	1.18	1.18	0.47	0.47	0.59	0.59	M10	0.39	0.39
BS10	Position 1	1.89	1.26	0.59	0.55	0.94	0.63	M10	0.75	0.51
BS20	Position 2	2.48	1.69	0.79	0.55	1.24	0.85	M10	1.18	0.69
BS30	Position 2	2.48	1.69	0.79	0.55	1.24	0.85	M10	1.18	0.67
BS40	Position 3	3.46	2.36	0.98	0.87	1.73	1.18	M18	1.50	0.87

Dimensions in inch

The actual gearbox design can vary from the geometry shown. Generate drive specific 3D and 2D geometries under [www.BauerCat.com](http://www.BauerCat.com).

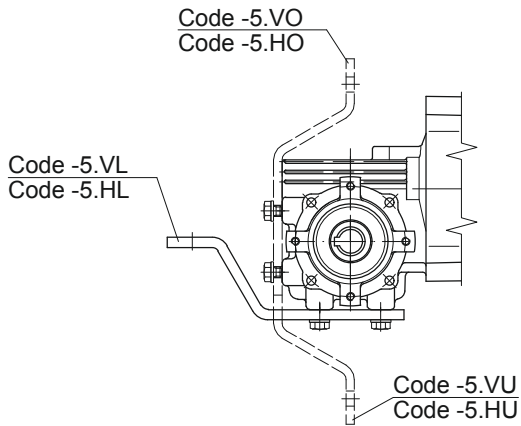


# BS-series worm-geared motors

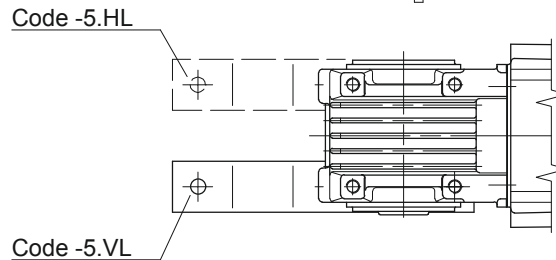
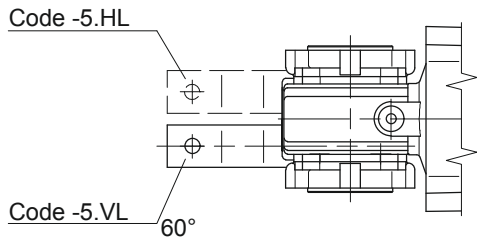
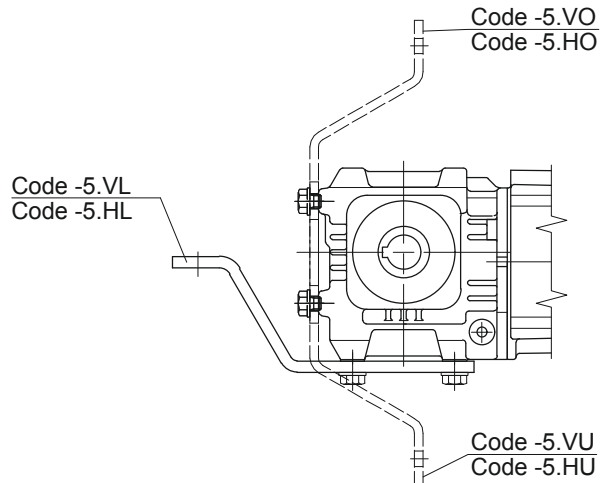
## Additional Dimension Sheet Imperial

### Position of the torque arm

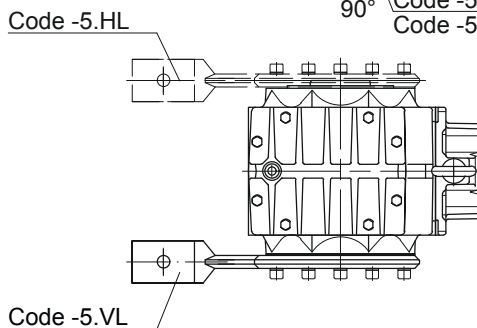
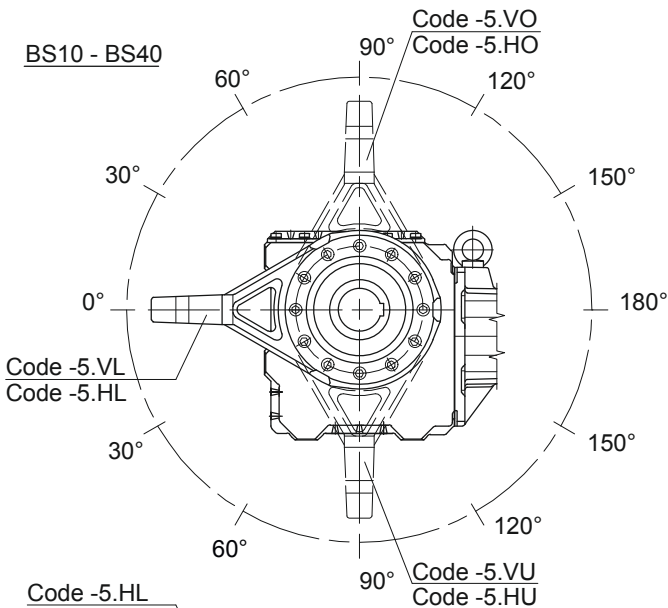
BS02 / BS03



BS04 / BS06



BS10 - BS40



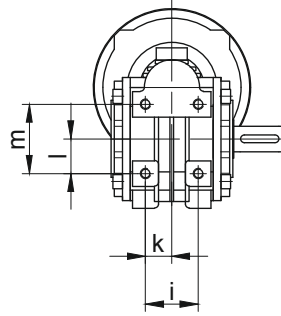
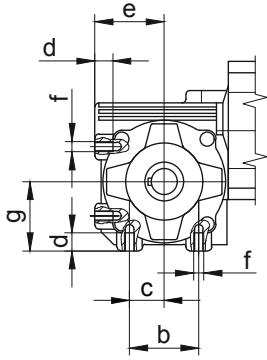
Gear	Position						
	VL/HL	VO/HO/VU/HU					VR/HR
BS10	0°	30°	60°	90°	120°	150°	-
BS20	0°	30°	60°	90°	120°	150°	-
BS30	0°	30°	60°	90°	120°	150°	-
BS40	0°	30°	60°	90°	120°	150°	-

The actual gearbox design can vary from the geometry shown. Generate drive specific 3D and 2D geometries under [www.BauerCat.com](http://www.BauerCat.com).

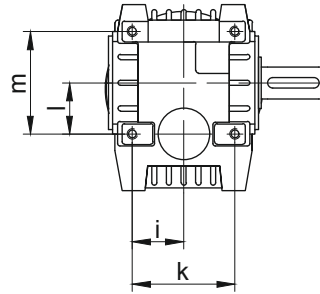
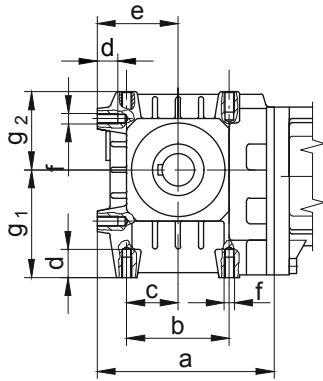
# BS-series worm-geared motors

## Additional Dimension Sheet Imperial

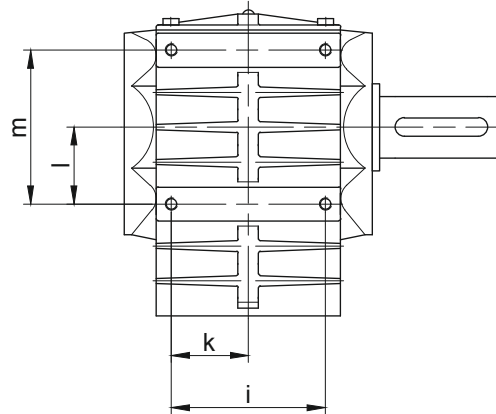
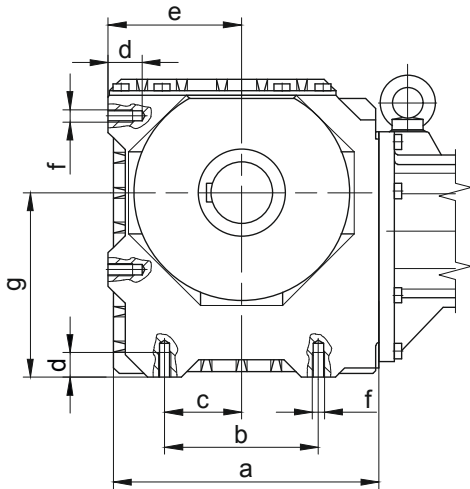
### Threaded foot



Type	a	b	c	d	e	f	g	-	i	k	l	m
BS02	-	1.42	0.71	0.39	1.57	M6	1.57	-	1.26	0.63	0.71	1.42
BS03	-	2.13	1.06	0.55	2.13	M8	2.13	-	1.61	0.81	1.06	2.13



Type	a	b	c	d	e	f	g <sub>1</sub>	g <sub>2</sub>	i	k	l	m
BS04	4.37	2.36	1.18	0.61	1.97	M8	2.52	1.95	1.18	2.36	1.18	2.36
BS06	5.43	3.15	1.57	0.63	2.48	M8	3.31	2.40	1.57	3.15	1.57	3.15



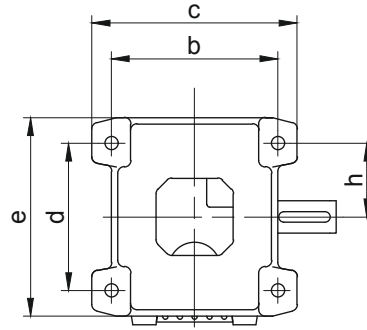
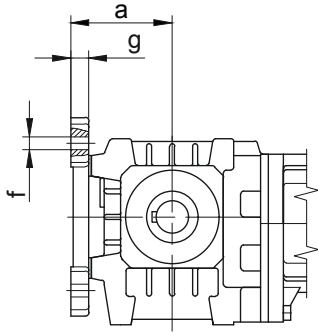
Type	a	b	c	d	e	f	g	-	i	k	l	m
BS10-BS10Z	6.69	3.54	1.77	0.63	3.35	M8	4.13	-	3.74	1.87	1.77	3.54
BS20-BS20Z	7.97	4.33	2.17	0.79	3.94	M10	4.92	-	4.13	2.07	2.17	4.33
BS30-BS30Z	8.98	4.92	2.46	0.94	4.33	M12	5.91	-	4.72	2.36	2.46	4.92
BS40-BS40Z	10.39	5.91	2.95	0.94	5.12	M12	7.09	-	5.91	2.95	2.95	5.91

The actual gearbox design can vary from the geometry shown. Generate drive specific 3D and 2D geometries under [www.BauerCat.com](http://www.BauerCat.com).

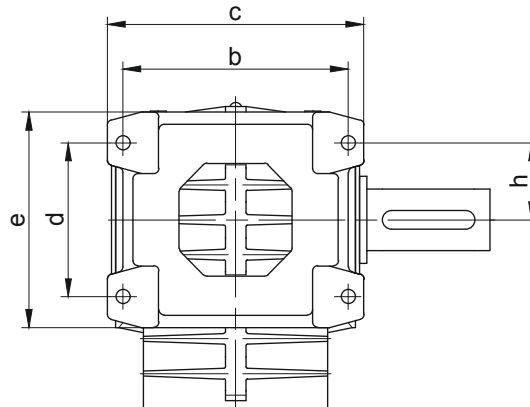
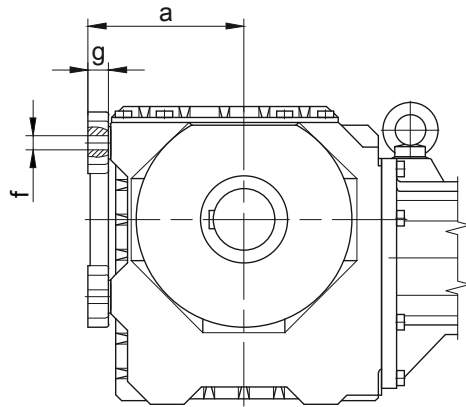
# BS-series worm-geared motors

## Additional Dimension Sheet Imperial

### Foot plate, left



Type	a	b	c	d	e	f	g	h
BS04	2.68	4.33	5.51	3.54	5.12	0.39	0.59	1.77
BS06	3.11	5.12	6.30	4.53	6.10	0.39	0.55	2.26

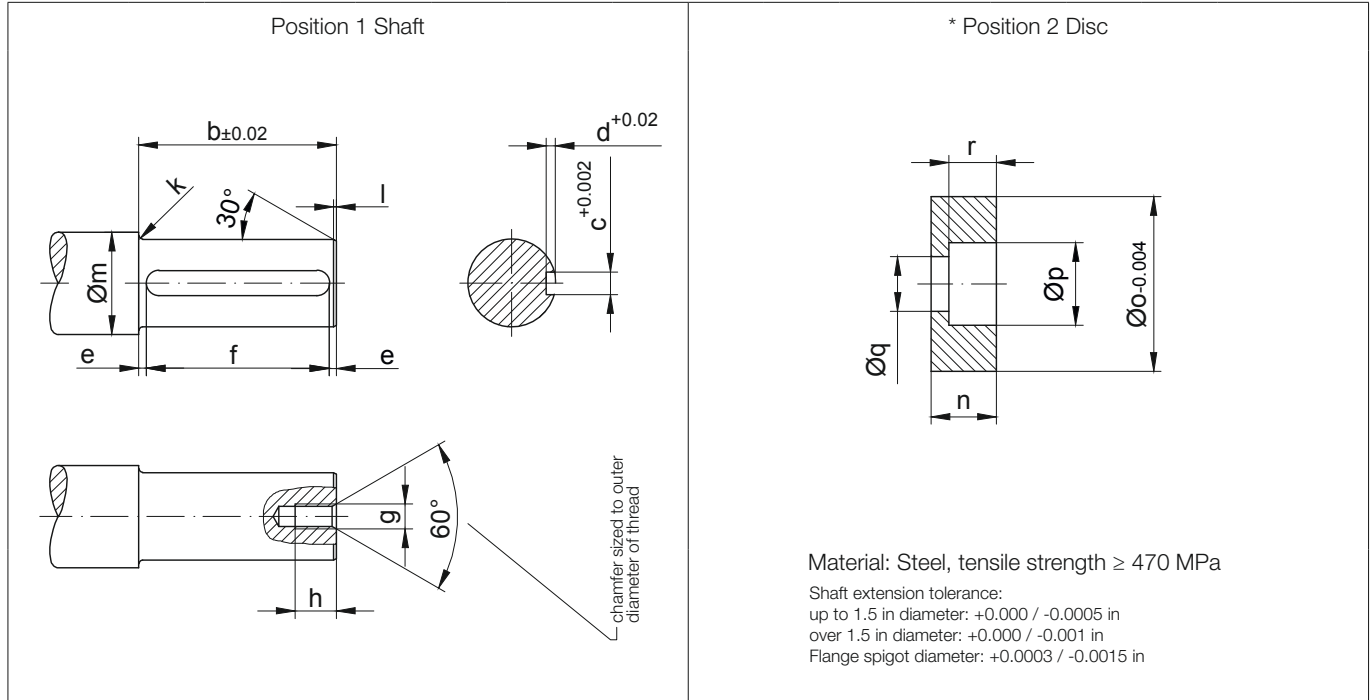


Type	a	b	c	d	e	f	g	h
BS10-BS10Z	4.06	5.71	6.50	3.54	5.12	Ø0.35	0.63	2.85
BS20-BS20Z	4.72	6.50	7.68	4.33	6.30	Ø0.43	0.71	2.17
BS30-BS30Z	5.20	7.48	8.66	4.92	7.28	Ø0.53	0.79	2.46
BS40-BS40Z	5.98	8.66	9.84	5.91	8.27	Ø0.53	0.79	2.95

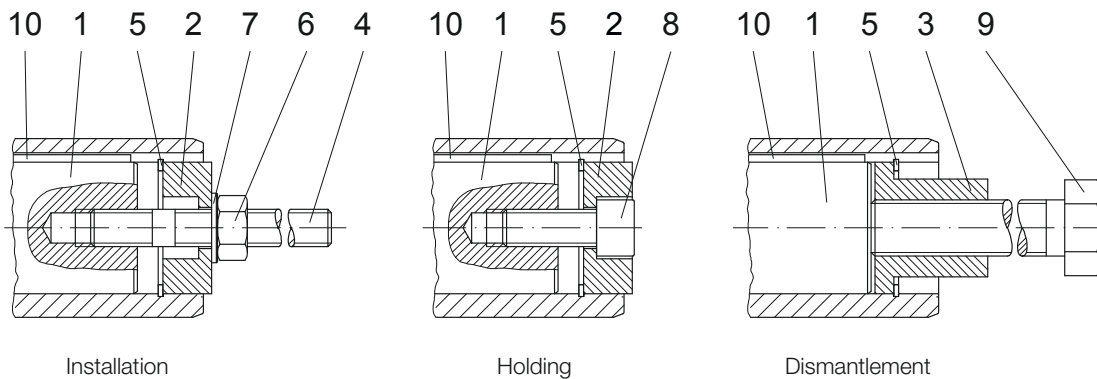
# BS-series worm-geared motors

## Additional Dimension Sheet Imperial

### Assembly tools for hollow shaft and keyway



Type	Dimensions (inch)															
	Position 1 Shaft											Position 2 Disc				
	a	b	c	d	e	f	g	h	k	l	m	n	o	p	q	r
BS03	0.75	2.95	0.188	0.106	0.235	2.48	M6	0.63	0.08	0.06	1.10	0.53	0.74	0.43	0.26	0.26
BS04	0.75	2.80	0.188	0.141	0.30	2.20	M6	0.63	0.08	0.06	1.10	0.53	0.74	0.43	0.26	0.26
BS06	1.00	3.90	0.25	0.138	0.375	0.315	M8	0.71	0.10	0.06	1.30	0.53	0.99	0.59	0.35	0.33
BS10	1.25	5.98	0.25	0.138	0.235	5.51	M10	0.79	0.12	0.06	1.50	0.59	1.24	0.71	0.43	0.39
BS20	1.375	7.32	0.313	0.174	0.51	6.30	M10	0.79	0.12	0.06	1.69	0.63	1.365	0.71	0.43	0.39
BS30	1.50	8.35	0.375	0.211	0.24	7.87	M12	0.87	0.12	0.08	1.89	0.71	1.49	0.79	0.53	0.47
BS40	2.375	8.94	0.625	0.282	0.535	7.87	M20	1.50	0.14	0.08	2.68	0.94	2.365	1.30	0.87	0.71

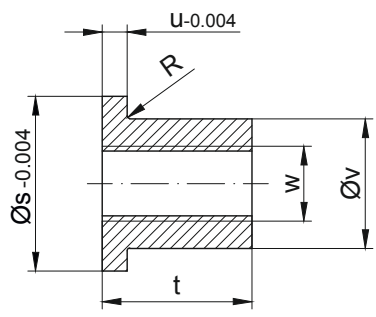
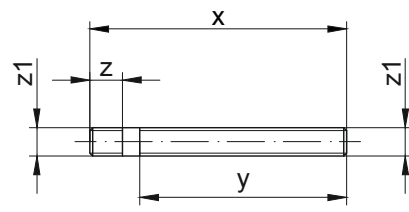


The parts shown are necessary for assembly. ONLY \* specified parts are enclosed in the assembly kit.  
 Suitable measures are to be used to secure Bolt Pos. 8 against loosening!

# BS-series worm-gearred motors

## Additional Dimension Sheet Imperial

### Assembly tools for hollow shaft and keyway

<p style="text-align: center;">Position 3 Sleeve</p>  <p>Material: Steel, tensile strength <math>\geq 470</math> MPa          Shaft extension tolerance:          up to 1.5 in diameter: +0.000 / -0.0005 in          over 1.5 in diameter: +0.000 / -0.001 in          Flange spigot diameter: +0.0003 / -0.0015 in</p>	<p style="text-align: center;">* Position 4 Stud bolt</p>  <p>Material: steel, tensile strength <math>\geq 1000</math> MPa Thread rolled</p>
---	--

Type	Dimensions (inch)										* Retaining ring DIN 472	Hexagon nut DIN 394-8	Disc DIN 125-St	* Filister head screw DIN 912-8.8	Starting torque (Nm)	Hexagon bolt DIN EN 24017-8.8	Key DIN 6885 Width/Height/Length
	Position 3 Sleeve						Position 4 Stud bolt										
	s	t	u	v	w	R	x	y	z	z1							
BS03	0.74	0.94	0.20	0.43	M8	-	4.72	3.54	0.71	M6	20x1.0	M6	6.4	M6x25	44.25	M8x110	3/16x3/16x2.48
BS04	0.74	0.94	0.20	0.43	M8	-	4.72	3.54	0.71	M6	20x1.0	M6	6.4	M6x25		M8x110	3/16x3/16x2.2
BS06	0.99	0.94	0.20	0.61	M12	0.03	5.91	4.72	0.79	M8	25x1.2	M8	8.4	M8x30		M12x140	1/4x1/4x3.15
BS10	1.24	1.10	0.20	0.78	M14	0.03	8.27	6.89	0.91	M10	30x1.2	M10	10.5	M10x30	70.81	M14x190	1/4x1/4x5.51
BS20	1.365	1.10	0.20	0.91	M14	-	9.84	8.46	0.91	M10	35x1.5	M10	10.5	M10x35		M14x230	5/16x5/16x6.3
BS30	1.49	1.57	0.24	1.09	M20	0.03	11.02	9.45	1.10	M12	40x1.75	M12	13	M12x35	141.61	M20x270	3/8x3/8x7.87
BS40	2.365	2.36	0.24	1.73	M30	-	12.60	10.24	1.77	M20	60x2.0	M20	21	M20x50	371.73	M30x310	5/8x5/8x7.87

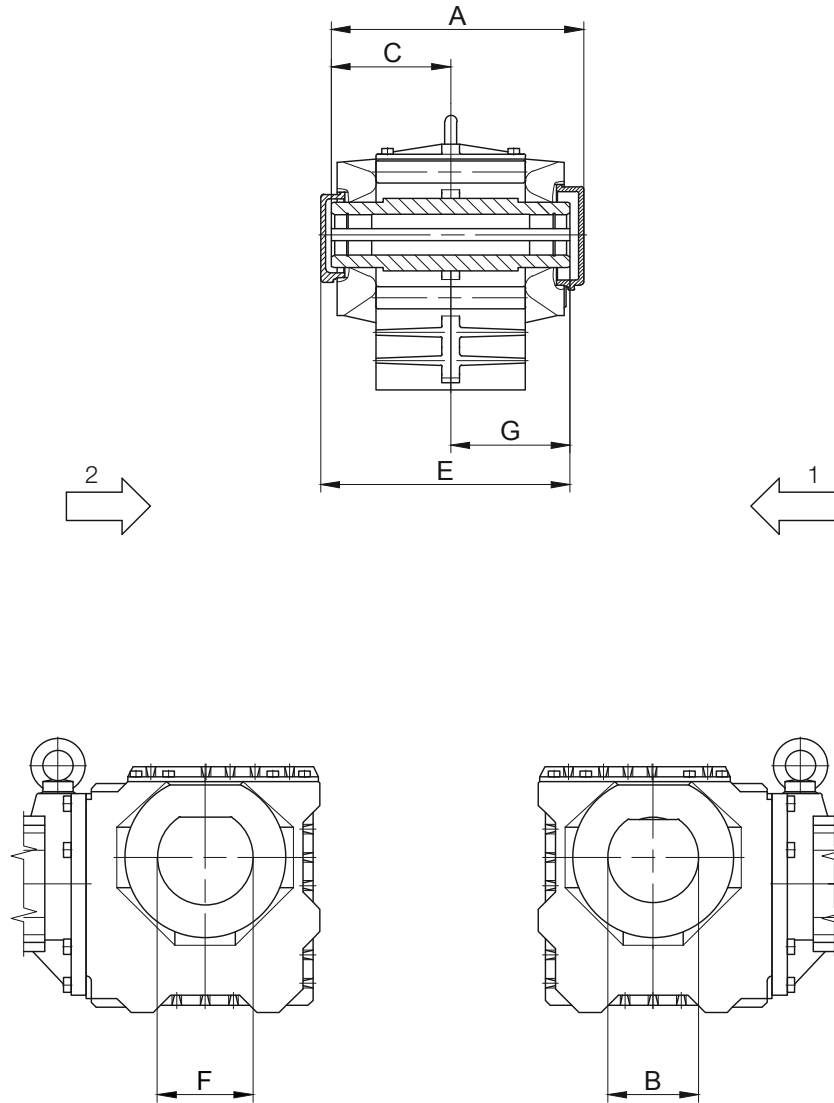
The parts shown are necessary for assembly, ONLY \* specified parts are enclosed in the assembly kit.  
 Suitable measures are to be used to secure Bolt Pos. 8 against loosening!

Optional	Type	Assembly tool „Holding“
	BS03	Available only on request
	BS04	Available only on request
	BS06	Available only on request
	BS10	Available only on request
	BS20	Available only on request
	BS30	Available only on request
	BS40	Available only on request

# BS-series worm-geared motors

## Additional Dimension Sheet Imperial

### Shaft cap (VK)



- 1 Gear side FRONT (V)
- 2 Gear side REAR (H)

Sealing cap REAR (H)			
Type	A	B	C
BS10	7.32	2.68	3.43
BS30	9.86	3.94	5.20
BS40	10.87	5.12	5.04
Dimensions in inch			

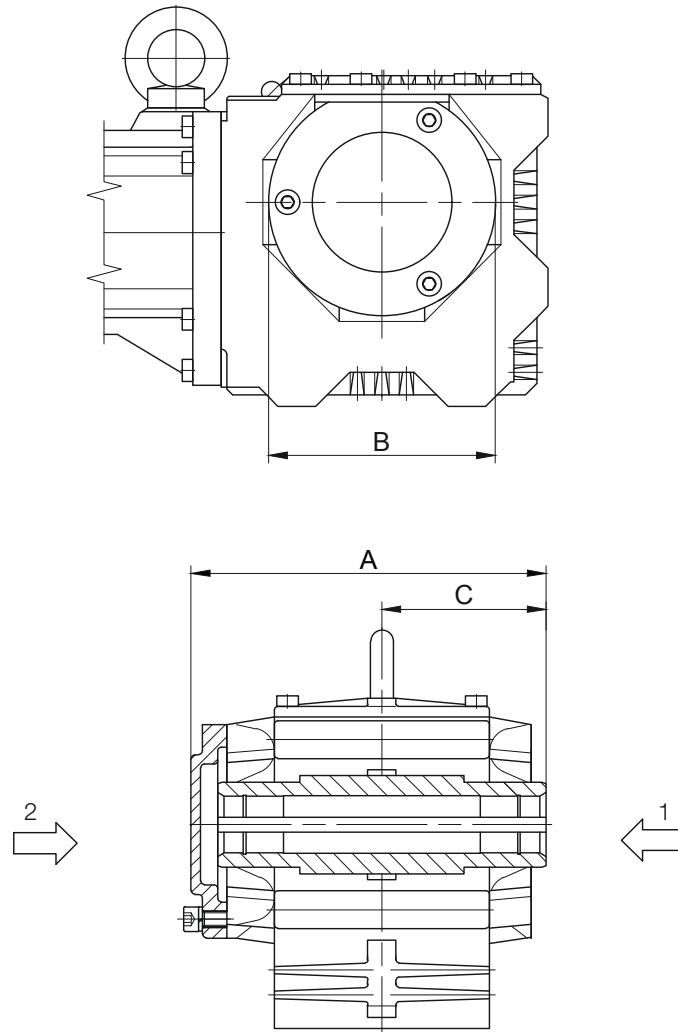
Sealing cap FRONT (V)			
Type	E	F	G
BS20	8.70	3.07	4.11
Dimensions in inch			

The actual gearbox design can vary from the geometry shown. Generate drive specific 3D and 2D geometries under [www.BauerCat.com](http://www.BauerCat.com).

# BS-series worm-gear motors

## Additional Dimension Sheet Imperial

### Shaft cover (VD)



- 1 Gear side FRONT (V)
- 2 Gear side REAR (H)

Type	A	B	C
BS04	3.92	2.68	1.83
BS06	5.06	3.19	2.38
BS10	7.28	Ø4.72	3.43
BS20	8.84	Ø6.30	4.11
BS30	9.90	Ø6.30	4.67
BS40	10.83	Ø8.27	5.04
Dimensions in inch			

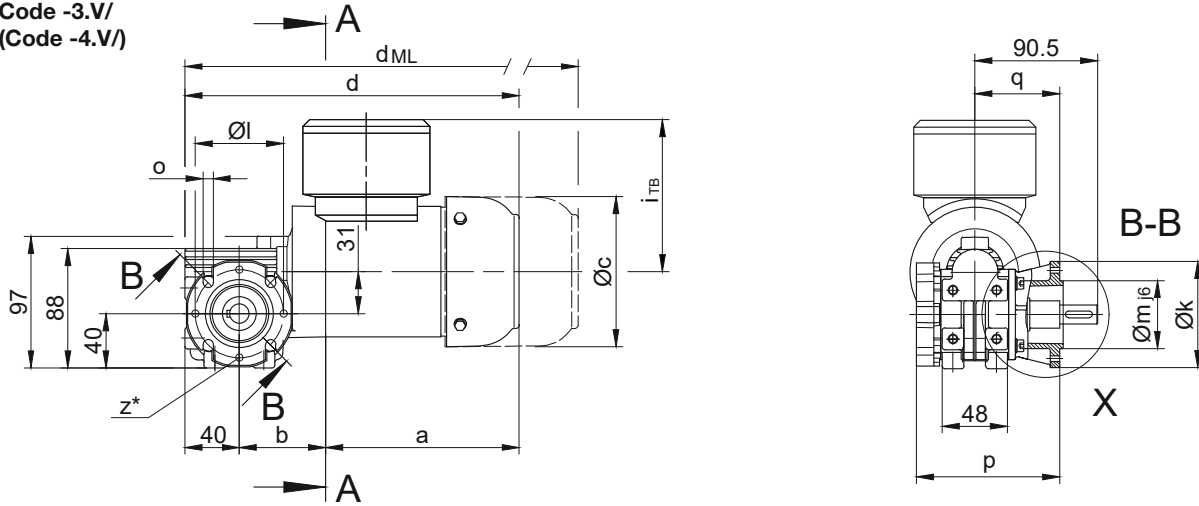
# BS-series worm-geared motors

## Dimension - Standard Metric

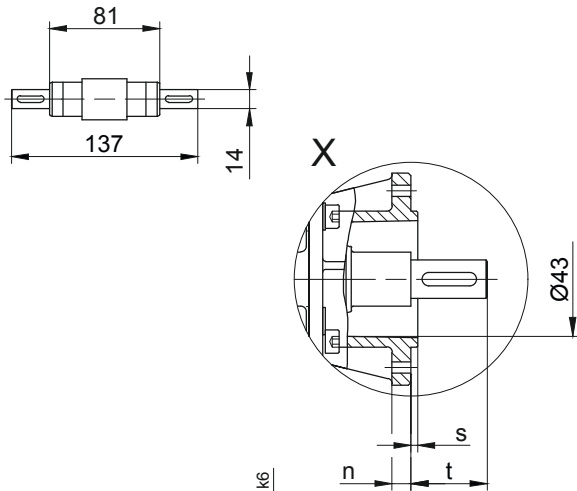
### BS02

Flange with clearance holes at front

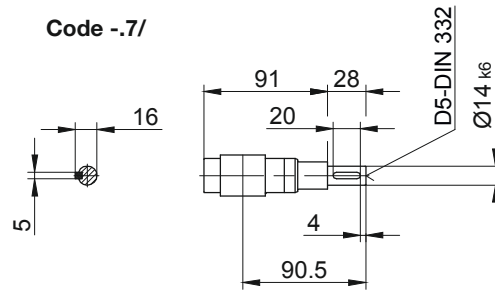
Code -3.V/  
(Code -4.V/)



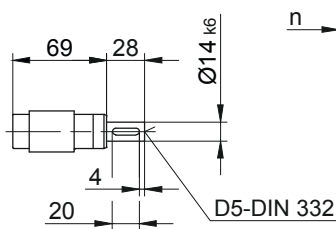
Code -3/



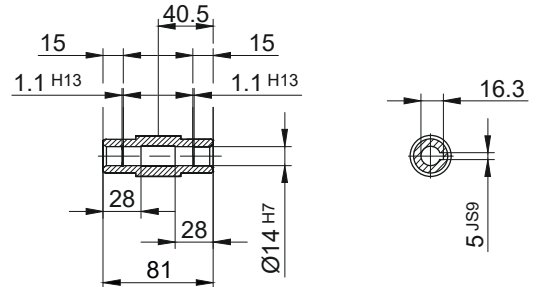
Code -7/



Code -1/



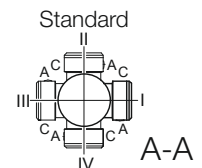
Code -4/



\* optional 4xM5 for code -3.  
\* optional 4xM6 for code -4.

Flange Dimensions										
Type	Design	k	l	m	n	o	p	q	s	t
BS02	Code -3.V/	80	65	50	7.5	5.5	105.5	62.5	2.5	28
BS02	Code -4.V/	110	80	60	8	6.6	105.5	62.5	2.5	28

Dimensions in millimetres (mm)



Type	a	b	c	d	i	Design with motor extensions				
						i <sub>TB</sub>	Brake	Encoder	Brake with Encoder	Back Stop
							d <sub>ML</sub>	d <sub>ML</sub>	d <sub>ML</sub>	d <sub>ML</sub>
BS02-../D04.A.	142.5	63.5	110.5	246	90	112	289.5	333.5	377	-
BS02-../D..05.A.	170.5	65.5	123	276	101	117	318	378.5	416	-
BS02-../D..06.A.	170.5	65.5	123	276	99	119	318	378.5	416	-
BS02-../D..07.A.	190.5	65.5	123	296	99	119	338	398.5	436	-

Dimensions in millimetres (mm)

The actual gearbox design can vary from the geometry shown. Generate drive specific 3D and 2D geometries under [www.BauerCat.com](http://www.BauerCat.com).



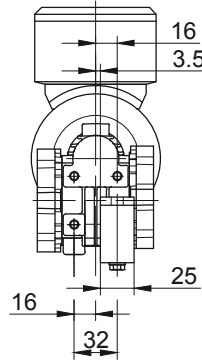
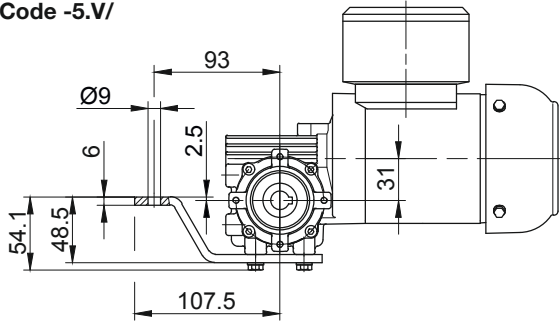
# BS-series worm-geared motors

## Dimension - Standard Metric

### BS02

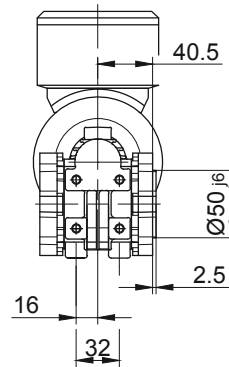
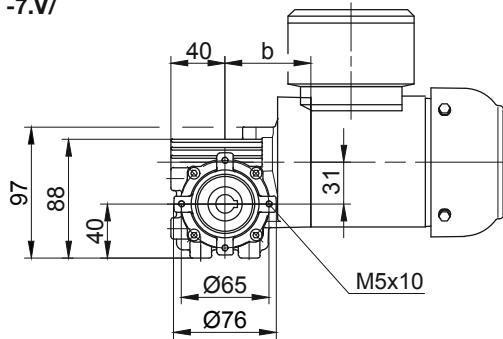
Torque arm at front

Code -5.V/



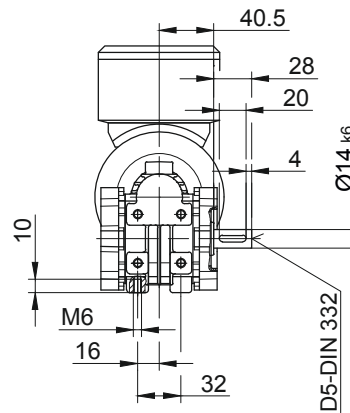
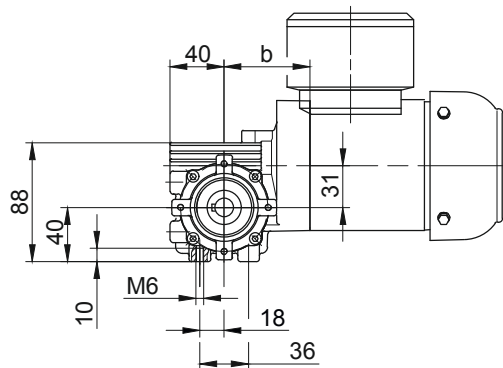
Foot with tapped holes at front

Code -7.V/



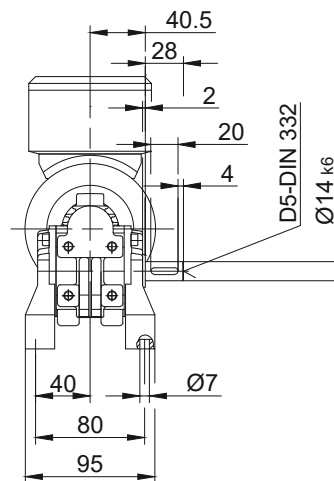
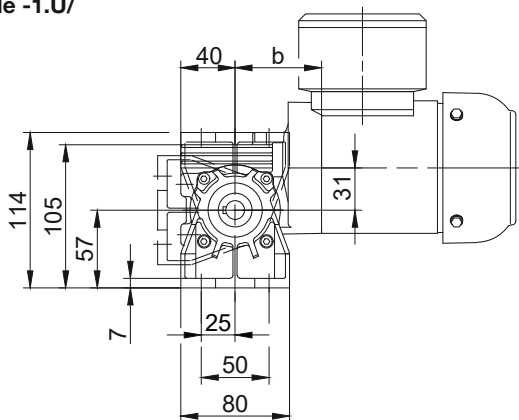
Foot with tapped holes at bottom

Code -6.U/



Foot with clearance holes at bottom

Code -1.U/



The actual gearbox design can vary from the geometry shown. Generate drive specific 3D and 2D geometries under [www.BauerCat.com](http://www.BauerCat.com).

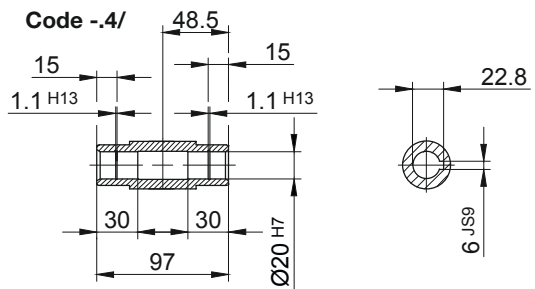
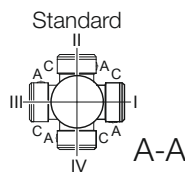
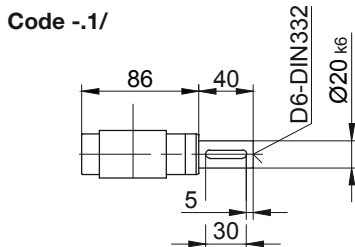
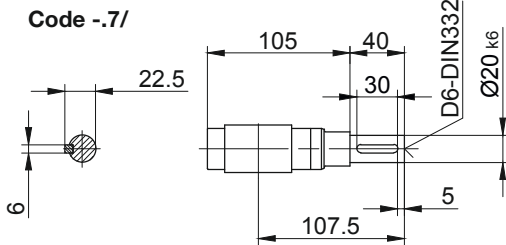
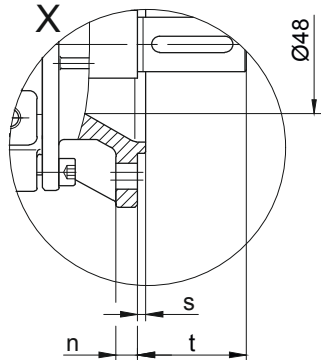
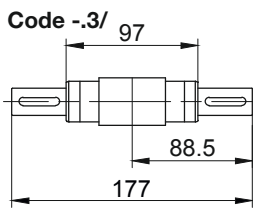
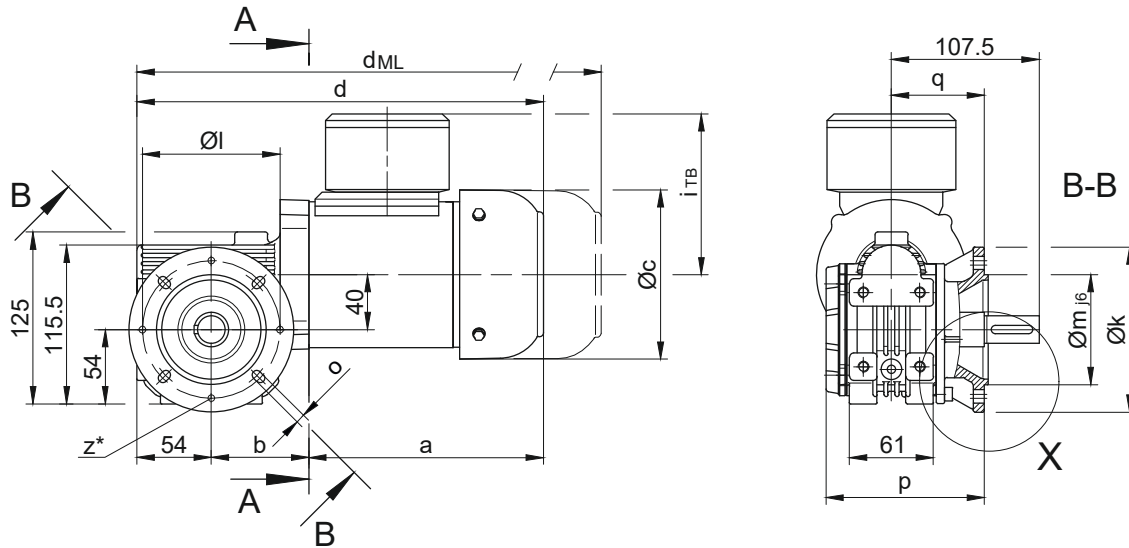
# BS-series worm-geared motors

## Dimension - Standard Metric

### BS03

Flange with clearance holes at front

Code **-3.V/**



\* optional 4xM6 for code -3.

Flange Dimensions										
Type	Design	k	l	m	n	o	p	q	s	t
BS03	Code -3.V/	120	100	80	8	6.6	115	67.5	3	40

Dimensions in millimetres (mm)

Type	a	b	c	d	i	Design with motor extensions				
						iTB	Brake	Encoder	Brake with Encoder	Back Stop
							d <sub>ML</sub>	d <sub>ML</sub>	d <sub>ML</sub>	d <sub>ML</sub>
BS03-../D..05.A.	170.5	71	123	295.5	101	117	337.5	398	435.5	-
BS03-../D..06.A.	170.5	71	123	295.5	99	119	337.5	398	435.5	-
BS03-../D..07.A.	190.5	71	123	315.5	99	119	357.5	418	455.5	-
BS03-../D..08.A.	199.5	115	156	368.5	114.5	136.5	434.5	480.5	542	434.5
BS03-../D..08.B.	229.5	115	156	398.5	114.5	136.5	464.5	510.5	571.5	464.5

Dimensions in millimetres (mm)

The actual gearbox design can vary from the geometry shown. Generate drive specific 3D and 2D geometries under [www.BauerCat.com](http://www.BauerCat.com).

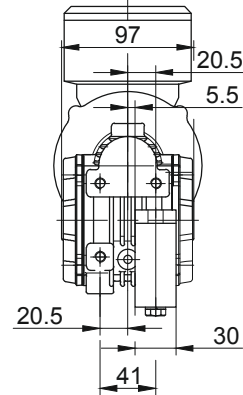
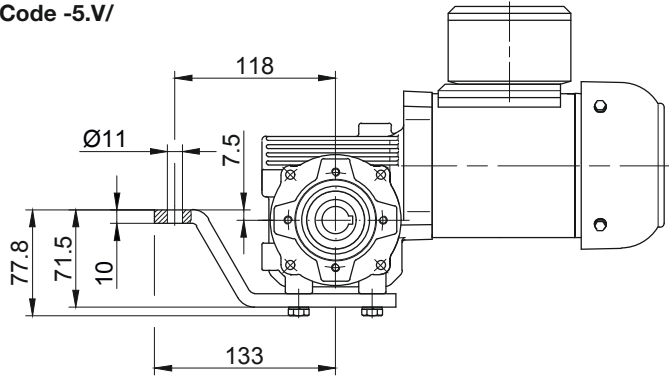
# BS-series worm-geared motors

## Dimension - Standard Metric

### BS03

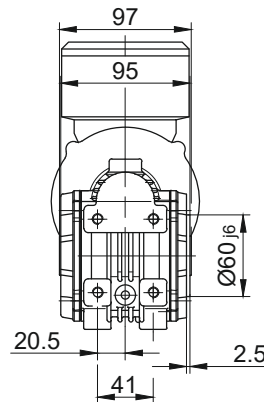
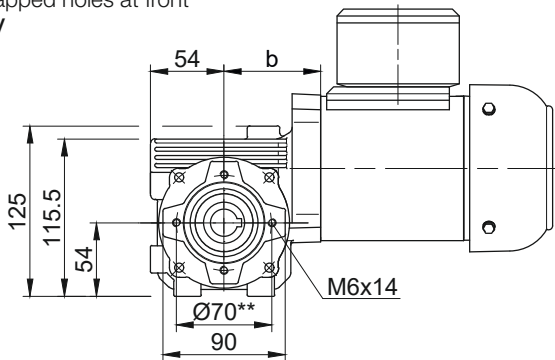
Torque arm at front

Code -5.V/



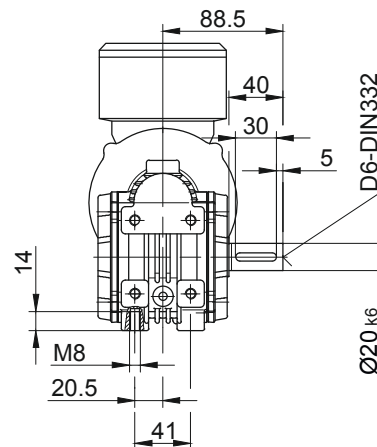
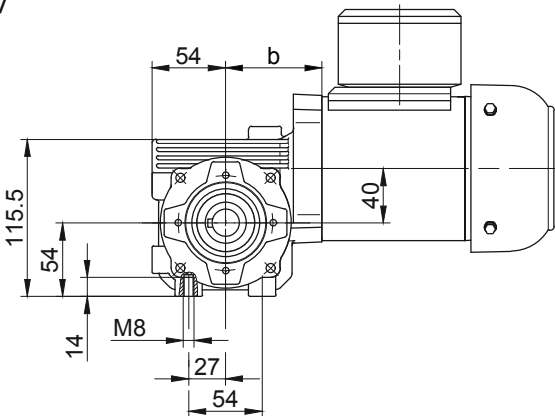
Foot with tapped holes at front

Code -7.V/



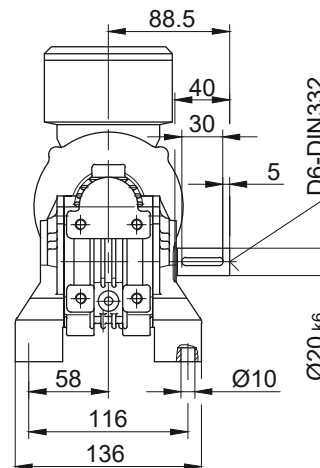
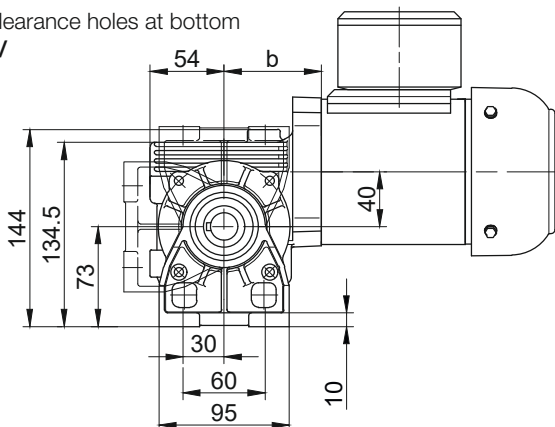
Foot with tapped holes at bottom

Code -6.U/



Foot with clearance holes at bottom

Code -1.U/



\*\* not for D..08.. with PTO shaft (code -1, -2, -3, -7, -8, -9)

The actual gearbox design can vary from the geometry shown. Generate drive specific 3D and 2D geometries under [www.BauerCat.com](http://www.BauerCat.com).

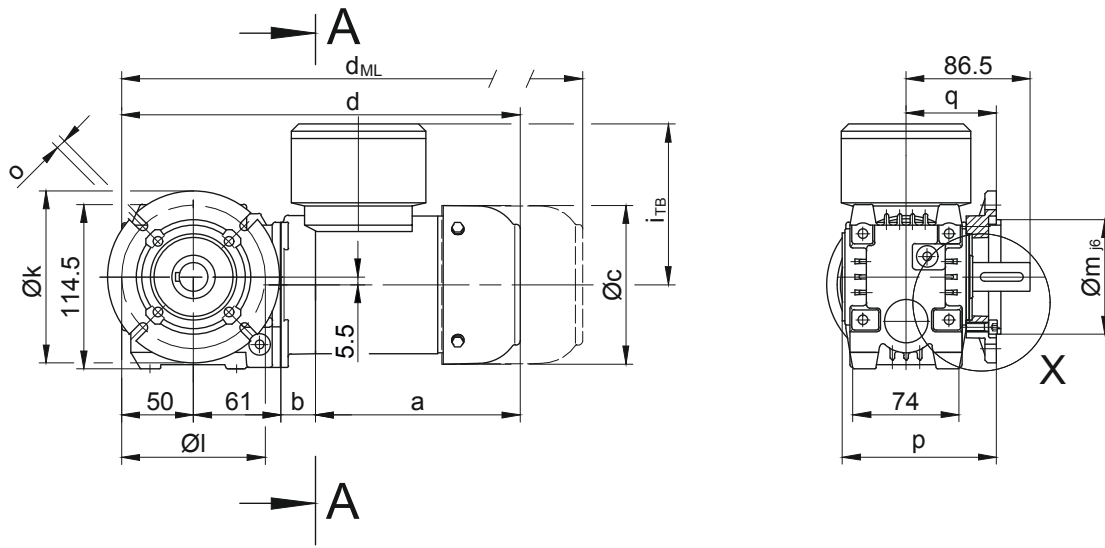
# BS-series worm-geared motors

## Dimension - Standard Metric

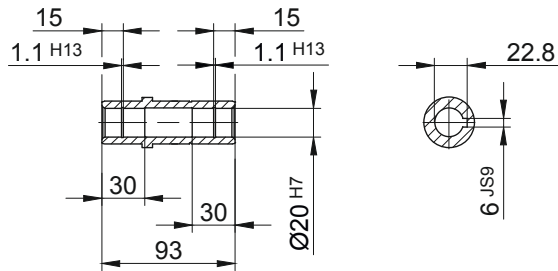
### BS04

Flange with clearance holes at front

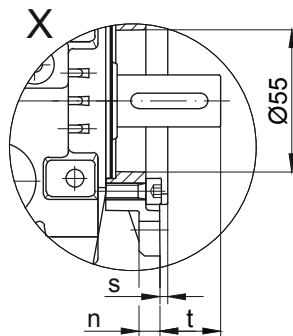
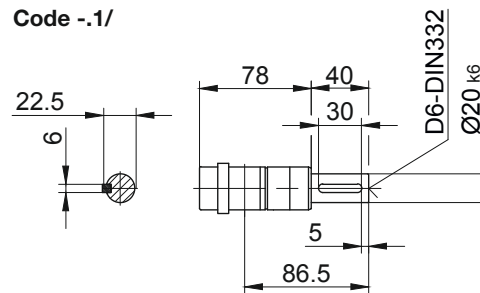
Code -3.V/



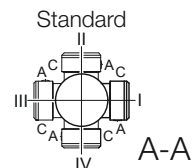
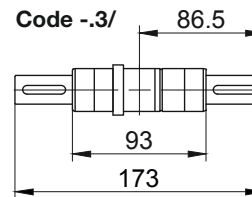
### Code -4/



### Code -1/



### Code -3/



Flange Dimensions										
Type	Design	k	l	m	n	o	p	q	s	t
BS04	Code -3.V/	120	100	80	8	6.6	107.5	63	3	23.5

Dimensions in millimetres (mm)

Type	a	b	c	d	i	Design with motor extensions				
						i <sub>TB</sub>	Brake	Encoder	Brake with Encoder	Back Stop
							d <sub>ML</sub>	d <sub>ML</sub>	d <sub>ML</sub>	d <sub>ML</sub>
BS04-../D04.A.	142.5	24	110.5	277.5	90	112	321	365	408.5	-
BS04-../D..05.A.	170.5	26	123	307.5	101	117	349.5	410	447.5	-
BS04-../D..06.A.	170.5	26	123	307.5	99	119	349.5	410	447.5	-
BS04-../D..07.A.	190.5	26	123	327.5	99	119	369.5	430	467.5	-

Dimensions in millimetres (mm)

The actual gearbox design can vary from the geometry shown. Generate drive specific 3D and 2D geometries under [www.BauerCat.com](http://www.BauerCat.com).

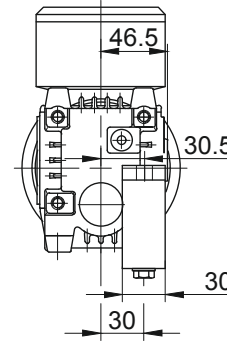
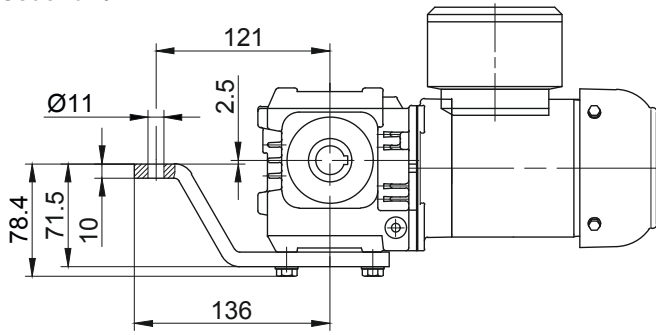
# BS-series worm-gear motors

## Dimension - Standard Metric

### BS04

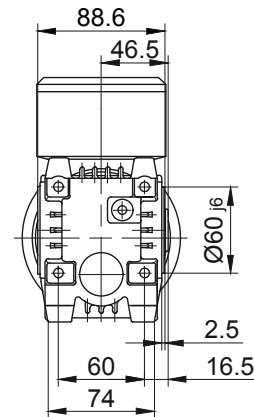
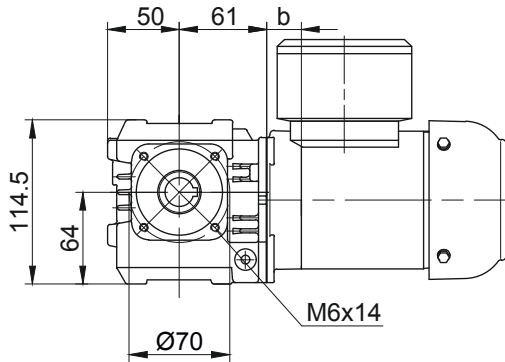
Torque arm at front

Code -5.V/



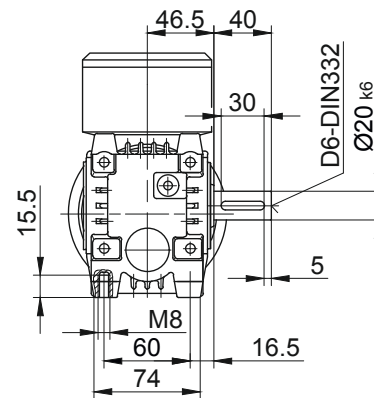
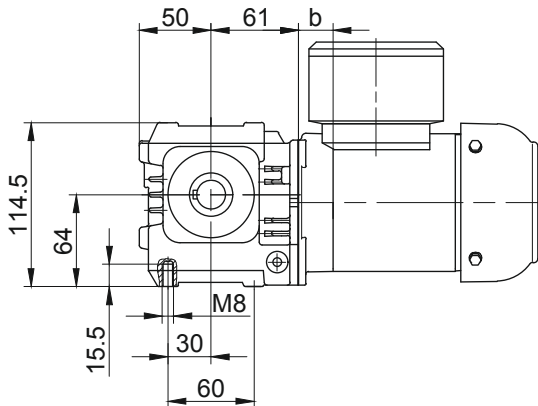
Foot with tapped holes at front

Code -7.V/



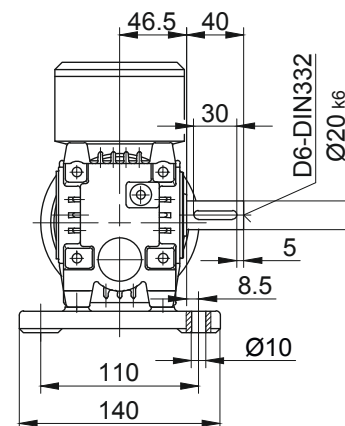
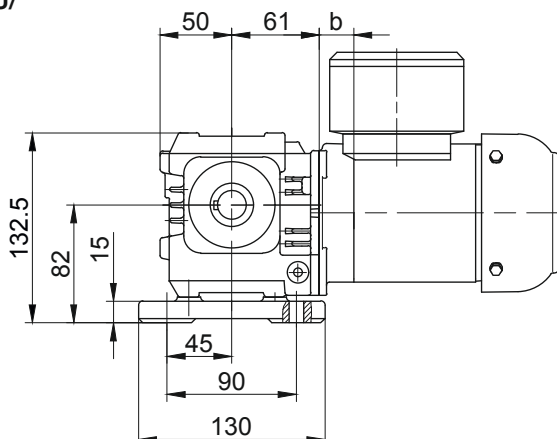
Foot with tapped holes at bottom

Code -6.U/



Foot with clearance holes at bottom

Code -1.U/



The actual gearbox design can vary from the geometry shown. Generate drive specific 3D and 2D geometries under [www.BauerCat.com](http://www.BauerCat.com).

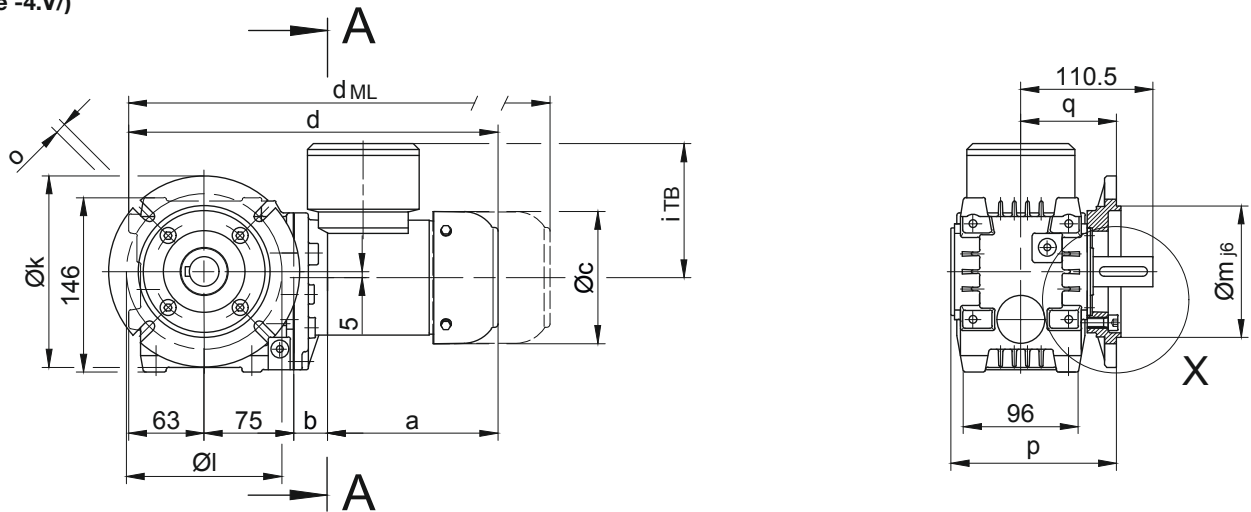
# BS-series worm-geared motors

## Dimension - Standard Metric

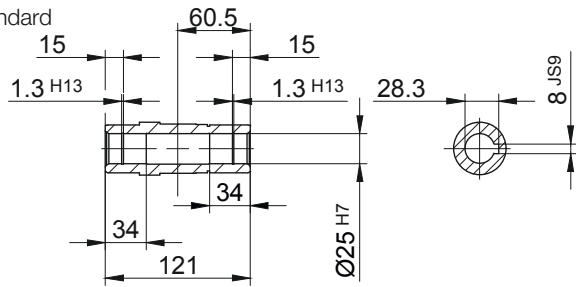
### BS06

Flange with clearance holes at front

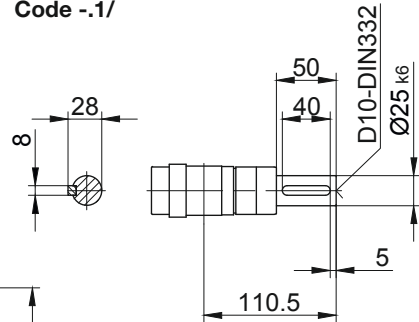
Code -3.V/  
(Code -4.V/)



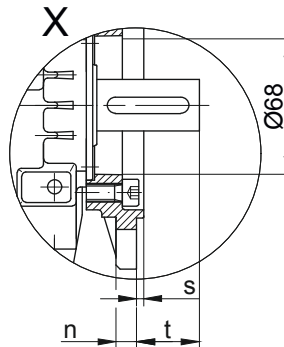
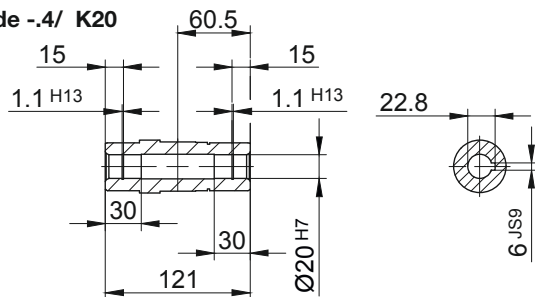
Code -4/  
Standard



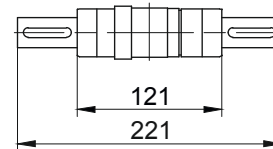
Code -1/



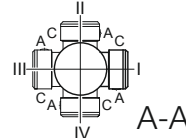
Code -4/ K20



Code -3/



Standard



Flange Dimensions										
Type	Design	k	l	m	n	o	p	q	s	t
BS06..	Code -3.V/	140	115	95	10	9	138.3	80	3	30.5
BS06..	Code -4.V/	160	130	110	10	9	138.3	80	3.5	30.5

Dimensions in millimetres (mm)

Type	a	b	c	d	i	Design with motor extensions				
						iTB	Brake	Encoder	Brake with Encoder	Back Stop
							d <sub>ML</sub>	d <sub>ML</sub>	d <sub>ML</sub>	d <sub>ML</sub>
BS06-../D04.A.	142.5	28	110.5	308.5	90	112	352	396	439.5	-
BS06-../D..05.A.	170.5	30	123	338.5	101	117	380.5	441	478.5	-
BS06-../D..06.A.	170.5	30	123	338.5	99	119	380.5	441	478.5	-
BS06-../D..07.A.	190.5	30	123	358.5	99	119	400.5	461	498.5	-
BS06-../D..08.A.	199.5	74	156	411.5	114.5	136.5	477.5	523.5	585	477.5
BS06-../D..08.B.	229.5	74	156	441.5	114.5	136.5	507.5	553.5	614.5	507.5

Dimensions in millimetres (mm)

The actual gearbox design can vary from the geometry shown. Generate drive specific 3D and 2D geometries under [www.BauerCat.com](http://www.BauerCat.com).

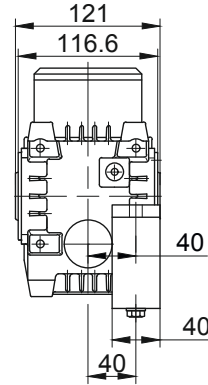
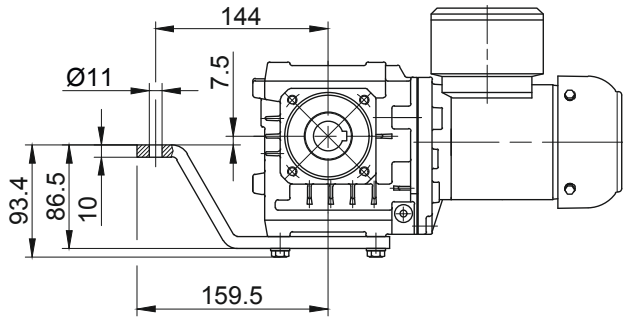
# BS-series worm-gear motors

## Dimension - Standard Metric

### BS06

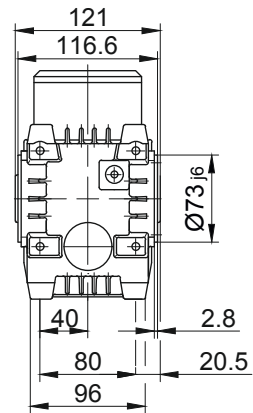
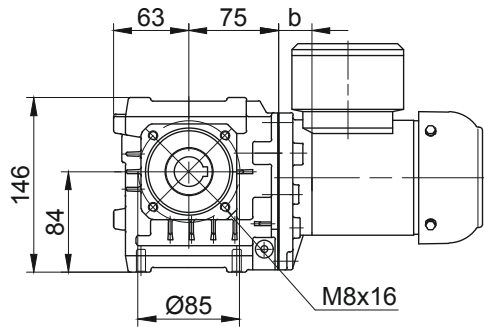
Torque arm at front

Code -5.V/



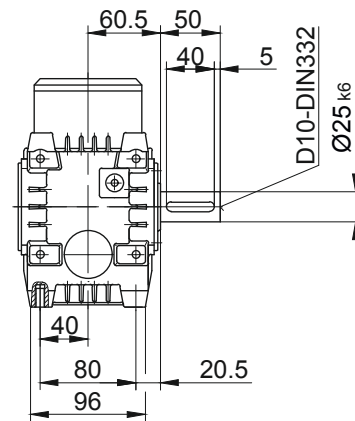
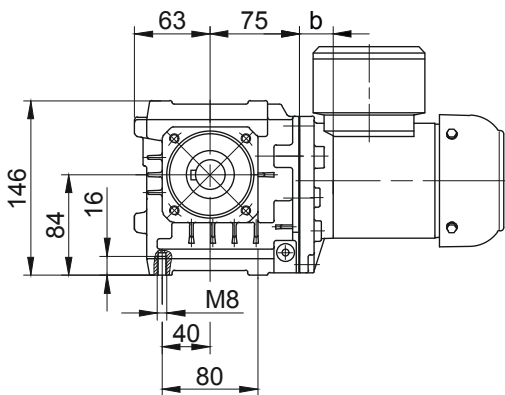
Foot with tapped holes at front

Code -7.V/



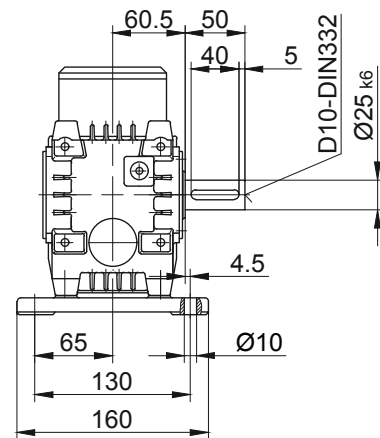
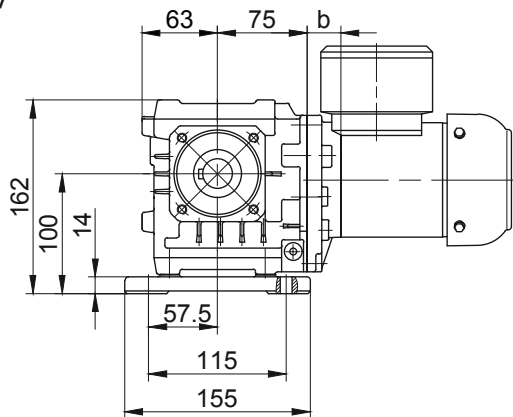
Foot with tapped holes at bottom

Code -6.U/



Foot with clearance holes at bottom

Code -1.U/



The actual gearbox design can vary from the geometry shown. Generate drive specific 3D and 2D geometries under [www.BauerCat.com](http://www.BauerCat.com).

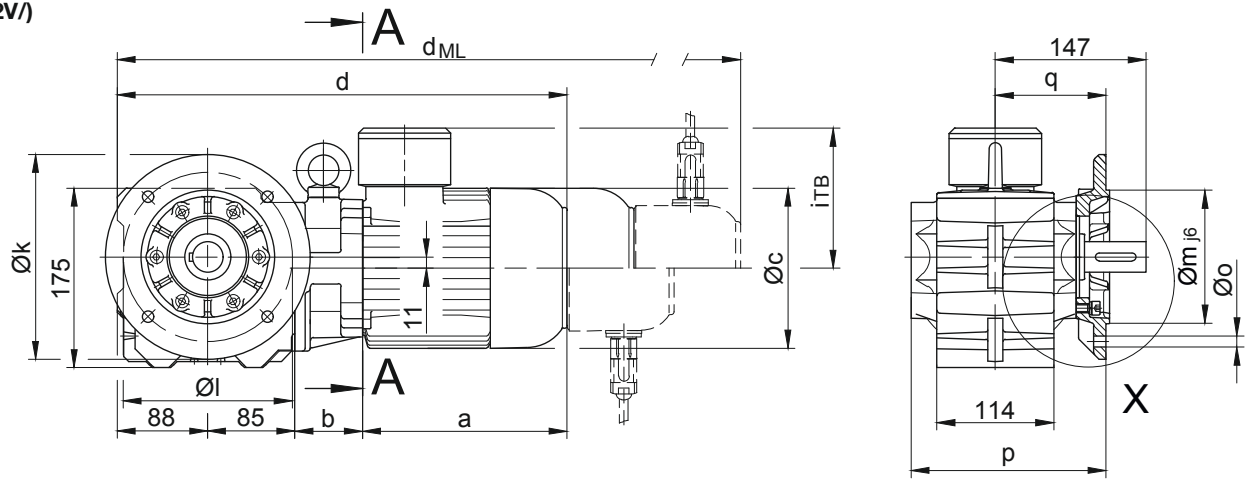
# BS-series worm-geared motors

## Dimension - Standard Metric

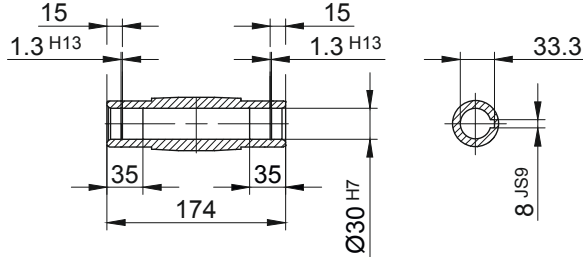
### BS10 - BS10Z

Flange with clearance holes at front

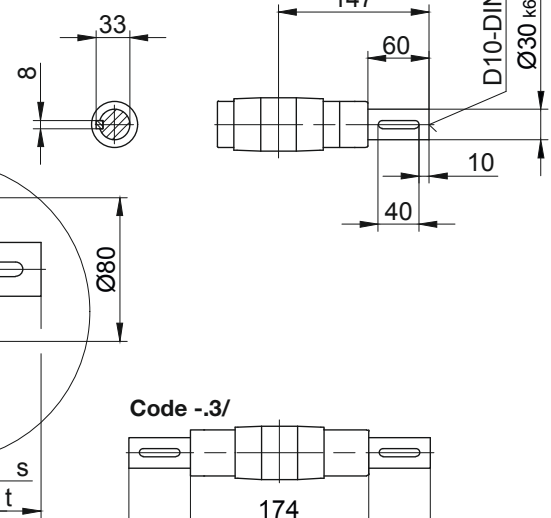
Code -3.V/  
(Code -2.V/)



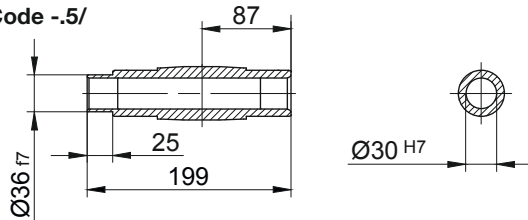
#### Code -4/



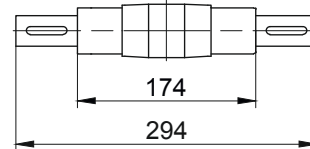
#### Code -1/



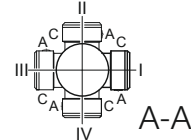
#### Code -5/



#### Code -3/



#### Standard



Type	Design	k	l	m	n	o	p	q	s	t
BS10..	Code -3.V/	200	165	130	12	11	190	108	3.5	39
BS10..	Code -2.V/	160	130	110	10	9	183	101	3.5	46

Dimensions in millimetres (mm)

Type	a	b	c	d	i	Design with motor extensions				
						iTB	Brake	Encoder	Brake with Encoder	Back Stop
							d <sub>ML</sub>	d <sub>ML</sub>	d <sub>ML</sub>	d <sub>ML</sub>
BS10Z-../D04.A.	142.5	86	110.5	401.5	90	112	445	489	532.5	-
BS10-../D..05.A.	170.5	62	123	405.5	101	117	447.5	508	545.5	-
BS10Z-../D..05.A.	170.5	88	123	431.5	101	117	473.5	534	571.5	-
BS10-../D..06.A.	170.5	62	123	405.5	99	119	447.5	508	545.5	-
BS10Z-../D..06.A.	170.5	88	123	431.5	99	119	473.5	534	571.5	-
BS10-../D..07.A.	190.5	62	123	425.5	99	119	467.5	528	565.5	-
BS10Z-../D..07.A.	190.5	88	123	451.5	99	119	493.5	554	591.5	-
BS10-../D..08.A.	199.5	66	156	438.5	114.5	136.5	504.5	550.5	612	504.5
BS10Z-../D..08.A.	199.5	132	156	504.5	114.5	136.5	570.5	616.5	678	570.5
BS10-../D..08.B.	229.5	66	156	468.5	114.5	136.5	534.5	580.5	641.5	534.5
BS10Z-../D..08.B.	229.5	132	156	534.5	114.5	136.5	600.5	646.5	707.5	600.5
BS10-../D..09.A.	250.5	80.5	176	504	124	157	597	611.5	701	597
BS10-../D..09.B.	308.5	80.5	176	562	124	157	655	669	759	655

Dimensions in millimetres (mm)

The actual gearbox design can vary from the geometry shown. Generate drive specific 3D and 2D geometries under [www.BauerCat.com](http://www.BauerCat.com).



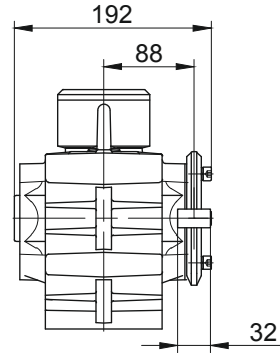
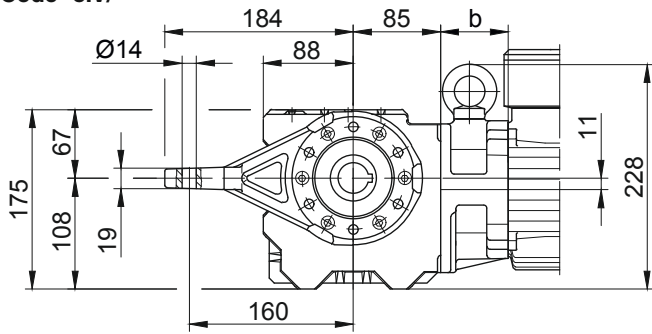
# BS-series worm-gear motors

## Dimension - Standard Metric

### BS10 - BS10Z

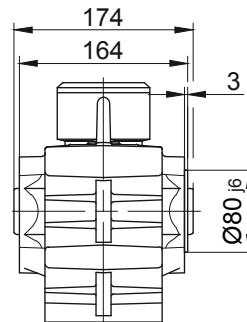
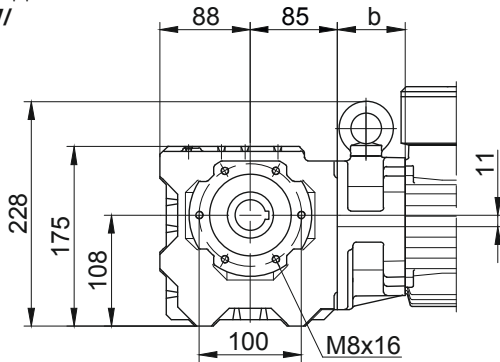
Torque arm at front

Code -5.V/



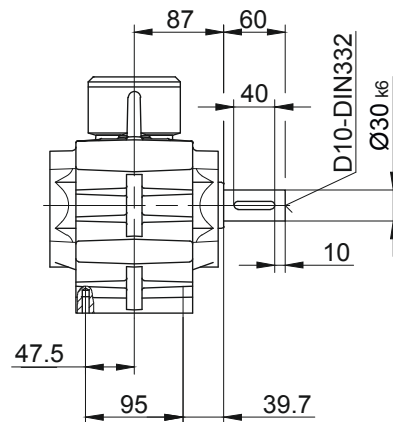
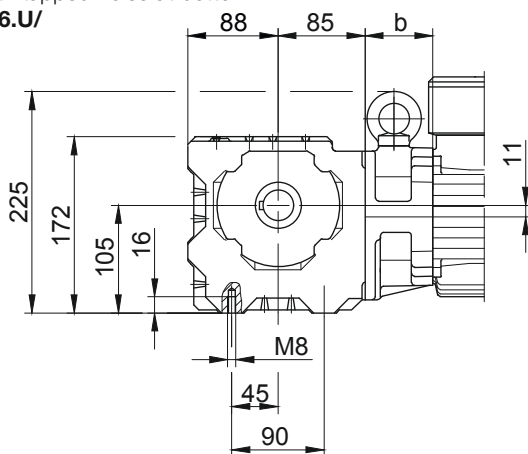
Foot with tapped holes at front

Code -7.V/



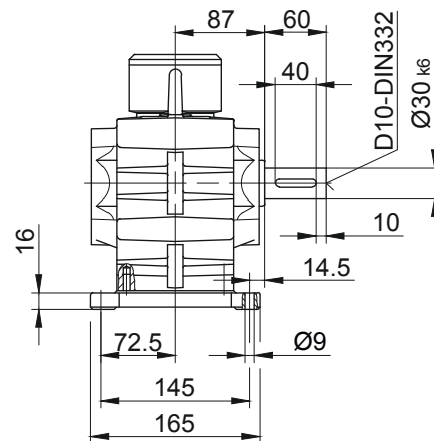
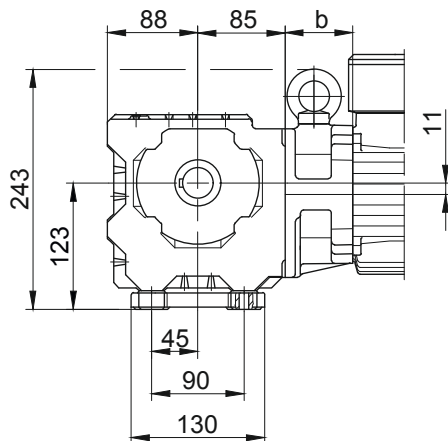
Foot with tapped holes at bottom

Code -6.U/



Foot with clearance holes at bottom

Code -1.U/



The actual gearbox design can vary from the geometry shown. Generate drive specific 3D and 2D geometries under [www.BauerCat.com](http://www.BauerCat.com).

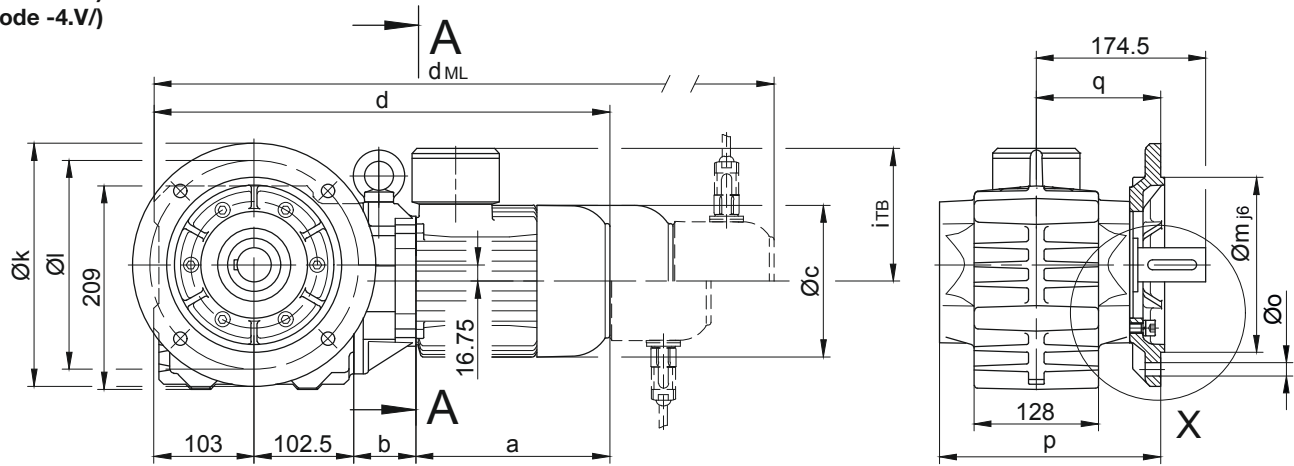
# BS-series worm-geared motors

## Dimension - Standard Metric

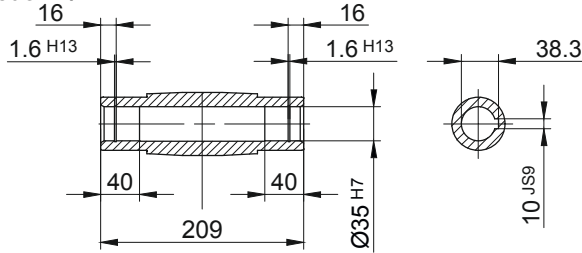
### BS20 - BS20Z

Flange with clearance holes at front

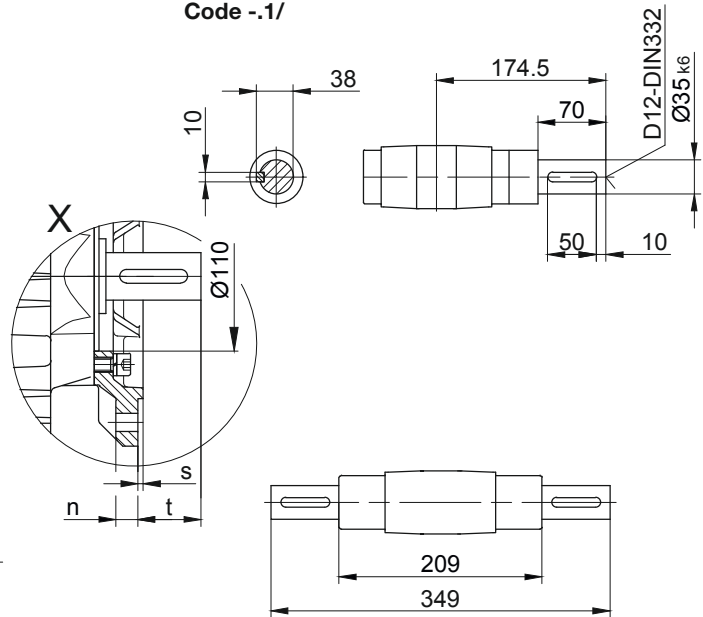
Code -3.V/  
(Code -2.V/)  
(Code -4.V/)



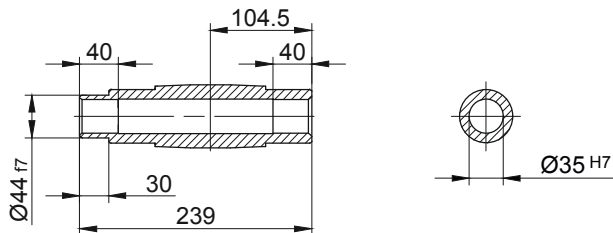
### Code -4/



### Code -1/

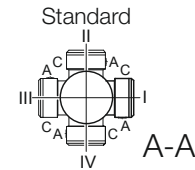


### Code -5/



Flange Dimensions										
Type	Design	k	l	m	n	o	p	q	s	t
BS20..	Code -3.V/	250	215	180	16	13.5	227.5	128	4	46.5
BS20..	Code -2.V/	200	165	130	12	11	224.5	125	3.5	49.5
BS20..	Code -4.V/	300	265	230	20	13.5	233.5	134	4	40.5

Dimensions in millimetres (mm)



Type	a	b	c	d	i	Design with motor extensions				
						iTB	Brake	Encoder	Brake with Encoder	Back Stop
							dML	dML	dML	dML
BS20Z-../D04.A.	142.5	100	110.5	448	90	112	491.5	535.5	579	-
BS20-../D..05.A.	170.5	60	123	436	101	117	478	538.5	576	-
BS20-../D..05.A.	170.5	102	123	478	101	117	520	580.5	618	-
BS20-../D..06.A.	170.5	60	123	436	99	119	478	538.5	576	-
BS20Z-../D..06.A.	170.5	102	123	478	99	119	520	580.5	618	-
BS20-../D..07.A.	190.5	60	123	456	99	119	498	558.5	596	-
BS20Z-../D..07.A.	190.5	102	123	498	99	119	540	600.5	638	-
BS20-../D..08.A.	199.5	64	156	469	114.5	136.5	535	581	642.5	535
BS20Z-../D..08.A.	199.5	146	156	551	114.5	136.5	617	663	724.5	617
BS20-../D..08.B.	229.5	64	156	499	114.5	136.5	565	611	672	565
BS20Z-../D..08.B.	229.5	146	156	581	114.5	136.5	647	693	754	647
BS20-../D..09.A.	250.5	78.5	176	534.5	124	157	627.5	642	731.5	627.5
BS20-../D..09.B.	308.5	78.5	176	592.5	124	157	685.5	699.5	789.5	685.5

Dimensions in millimetres (mm)

The actual gearbox design can vary from the geometry shown. Generate drive specific 3D and 2D geometries under [www.BauerCat.com](http://www.BauerCat.com).

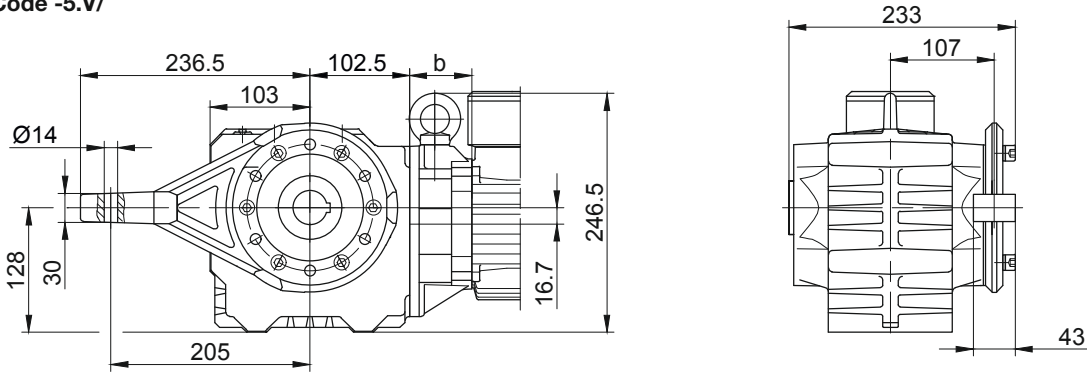
# BS-series worm-geared motors

## Dimension - Standard Metric

### BS20 - BS20Z

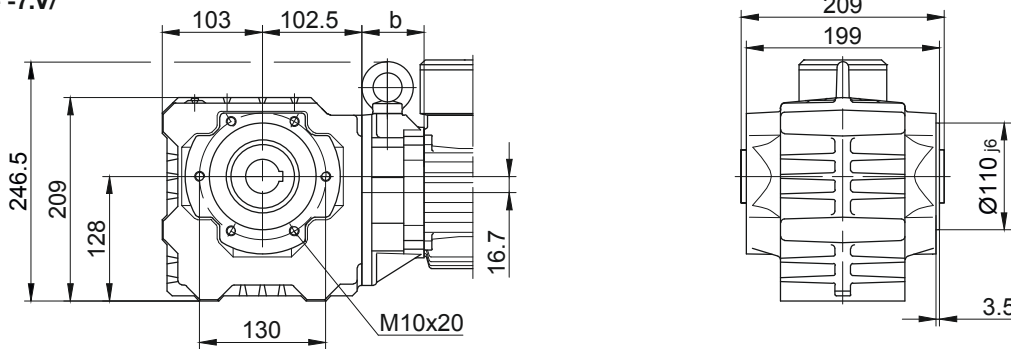
Torque arm at front

Code -5.V/



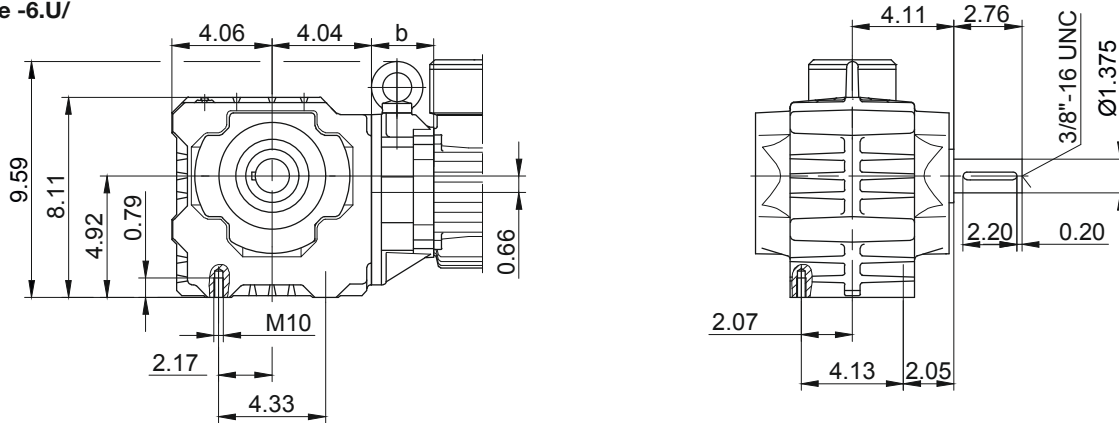
Foot with tapped holes at front

Code -7.V/



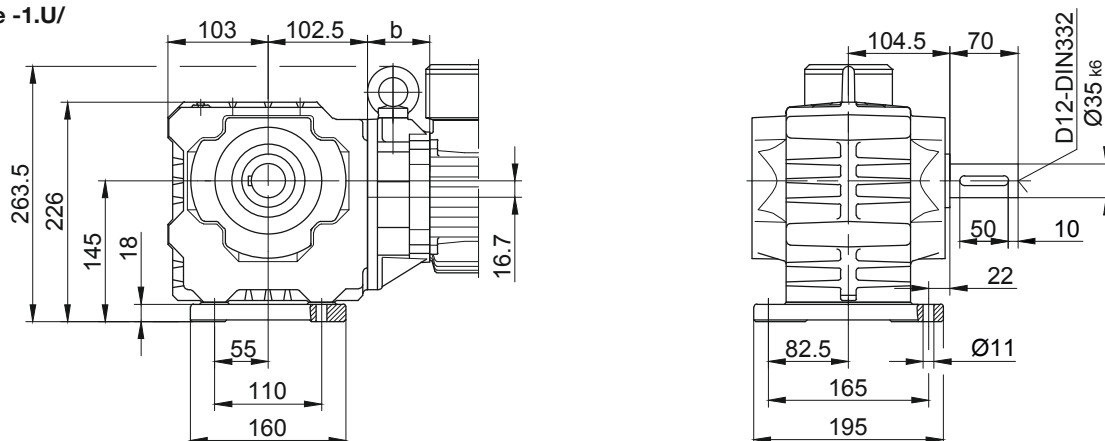
Foot with tapped holes at bottom

Code -6.U/



Foot with clearance holes at bottom

Code -1.U/



The actual gearbox design can vary from the geometry shown. Generate drive specific 3D and 2D geometries under [www.BauerCat.com](http://www.BauerCat.com).

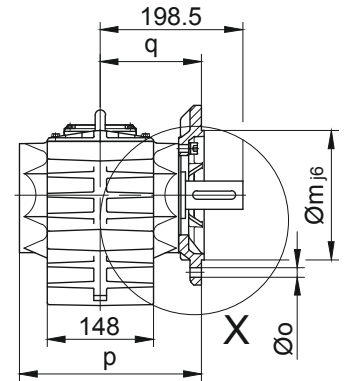
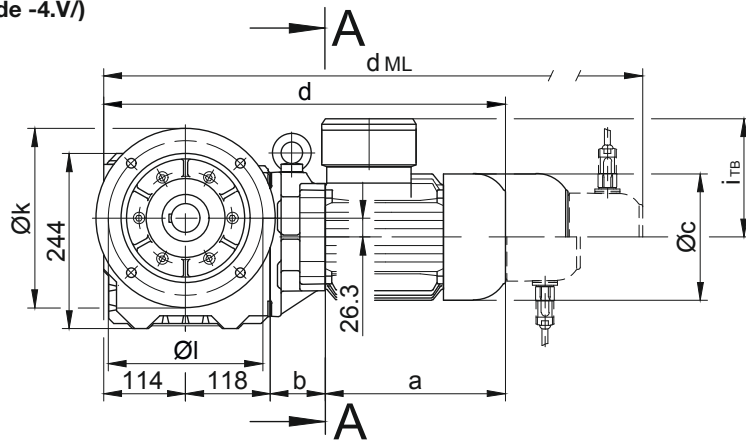
# BS-series worm-geared motors

## Dimension - Standard Metric

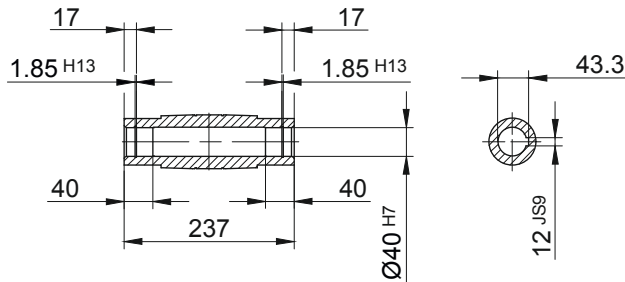
### BS30 - BS30Z

Flange with clearance holes at front

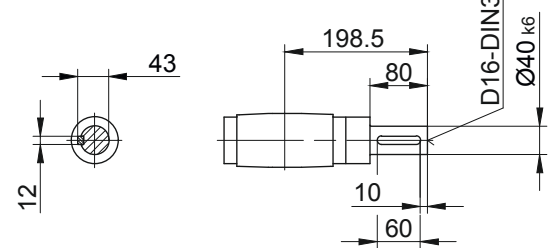
Code -3.V/  
(Code -4.V/)



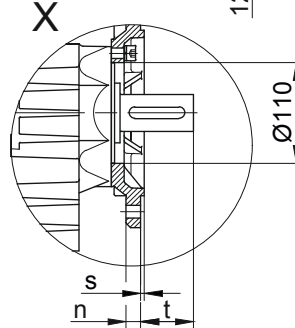
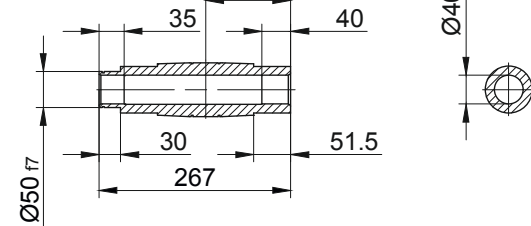
### Code -4/



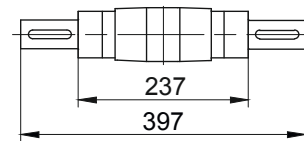
### Code -1/



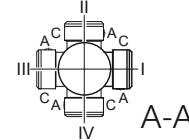
### Code -5/



### Code -3/



Standard



Type	Design	k	l	m	n	o	p	q	s	t
BS30..	Code -3.V/	250	215	180	16	13.5	253.5	141	4	57.5
BS30..	Code -4.V/	300	265	230	20	13.5	259.5	147	4	51.5

Dimensions in millimetres (mm)

Type	a	b	c	d	i	Design with motor extensions				
						i <sub>TB</sub>	Brake	Encoder	Brake with Encoder	Back Stop
							d <sub>ML</sub>	d <sub>ML</sub>	d <sub>ML</sub>	d <sub>ML</sub>
BS30-../D..05.A.	170.5	58	123	460.5	101	117	502.5	563	600.5	-
BS30Z-../D..05.A.	170.5	133.5	123	536	101	117	578	638.5	676	-
BS30-../D..06.A.	170.5	58	123	460.5	99	119	502.5	563	600.5	-
BS30Z-../D..06.A.	170.5	133.5	123	536	99	119	578	638.5	676	-
BS30-../D..07.A.	190.5	58	123	480.5	99	119	522.5	583	620.5	-
BS30Z-../D..07.A.	190.5	133.5	123	556	99	119	598	658.5	696	-
BS30-../D..08.A.	199.5	62	156	493.5	114.5	136.5	559.5	605.5	667	559.5
BS30Z-../D..08.A.	199.5	137.5	156	569	114.5	136.5	635	681	742.5	635
BS30-../D..08.B.	229.5	62	156	523.5	114.5	136.5	589.5	635.5	696.5	589.5
BS30Z-../D..08.B.	229.5	137.5	156	599	114.5	136.5	665	711	772	665
BS30-../D..09.A.	250.5	76.5	176	559	124	157	652	666.5	756	652
BS30Z-../D..09.A.	250.5	152	176	634.5	124	157	727.5	742	831.5	727.5
BS30-../D..09.B.	308.5	76.5	176	617	124	157	710	724	814	710
BS30Z-../D..09.B.	308.5	152	176	692.5	124	157	785.5	799.5	889.5	785.5
BS30-../D..11.A.	319	83	218	634	165	176	732	741.5	834	732
BS30-../D..11.B.	387	83	218	702	165	176	798	809.5	902	798

Dimensions in millimetres (mm)

The actual gearbox design can vary from the geometry shown. Generate drive specific 3D and 2D geometries under [www.BauerCat.com](http://www.BauerCat.com).

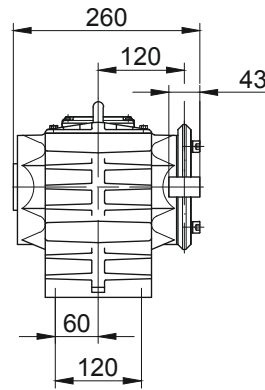
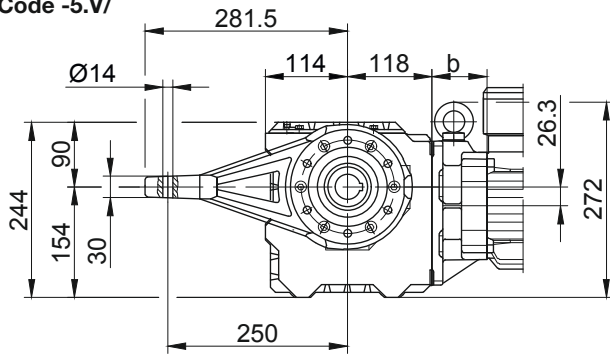
# BS-series worm-gear motors

## Dimension - Standard Metric

### BS30 - BS30Z

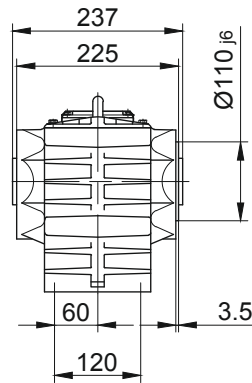
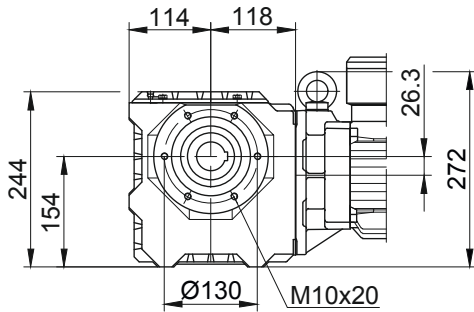
Torque arm at front

Code -5.V/



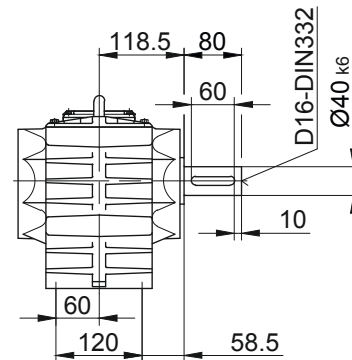
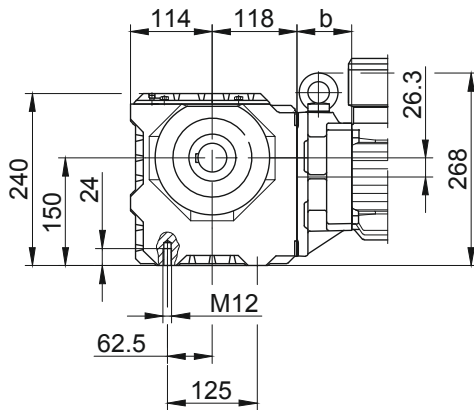
Foot with tapped holes at front

Code -7.V/



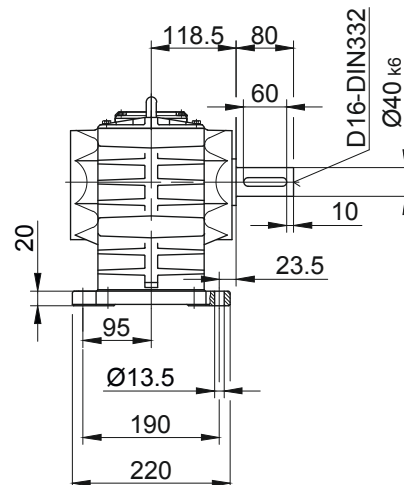
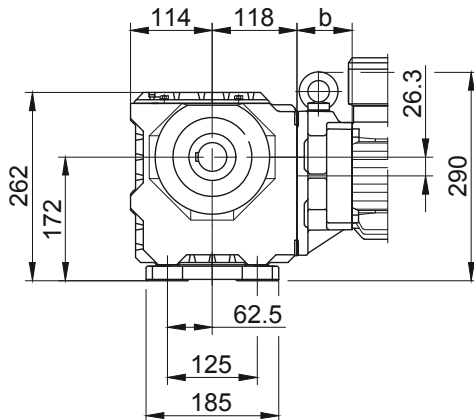
Foot with tapped holes at bottom

Code -6.U/



Foot with clearance holes at bottom

Code -1.U/



The actual gearbox design can vary from the geometry shown. Generate drive specific 3D and 2D geometries under [www.BauerCat.com](http://www.BauerCat.com).

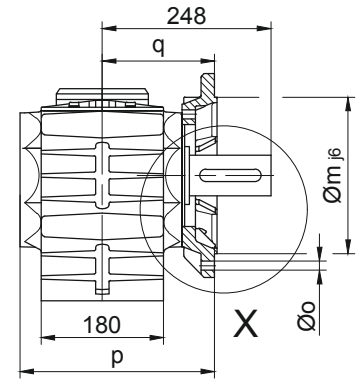
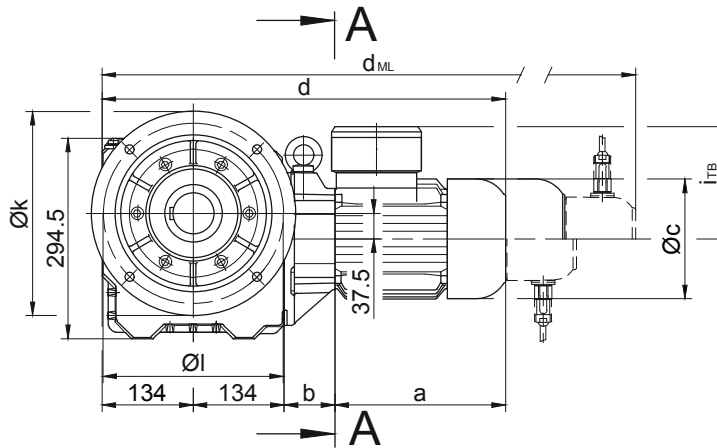
# BS-series worm-geared motors

## Dimension - Standard Metric

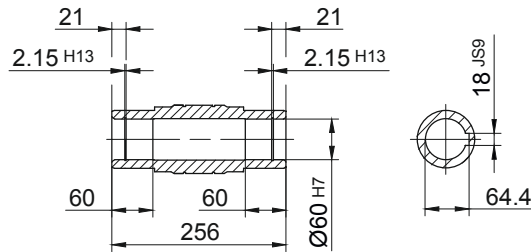
### BS40 - BS40Z

Flange with clearance holes at front

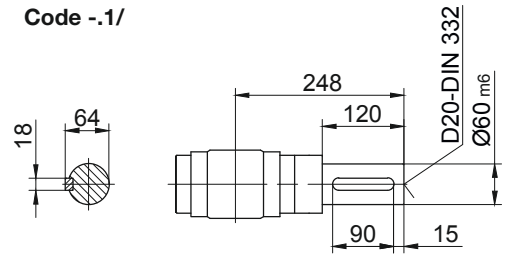
Code -3.V/



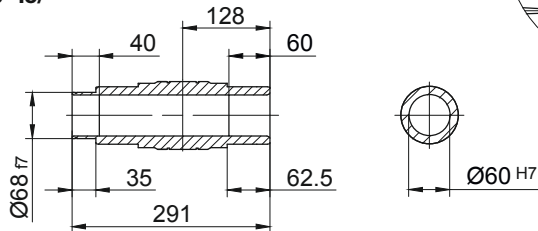
### Code -4/



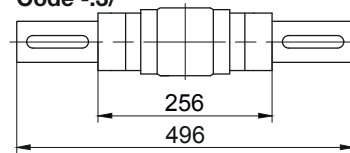
### Code -1/



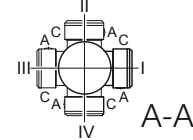
### Code -5/



### Code -3/



Standard



Flange Dimensions										
Type	Design	k	l	m	n	o	p	q	s	t
BS40..	Code -3.V/	300	265	230	20	13.5	286	165	4	83

Dimensions in millimetres (mm)

Type	a	b	c	d	i	Design with motor extensions				
						i <sub>TB</sub>	Brake	Encoder	Brake with Encoder	Back Stop
							d <sub>ML</sub>	d <sub>ML</sub>	d <sub>ML</sub>	d <sub>ML</sub>
BS40Z-../D..05.A.	170.5	138.5	123	577	101	117	619	679.5	717	-
BS40Z-../D..06.A.	170.5	138.5	123	577	99	119	619	679.5	717	-
BS40Z-../D..07.A.	190.5	138.5	123	597	99	119	639	699.5	737	-
BS40-../D..08.A.	199.5	60	156	527.5	114.5	136.5	593.5	639.5	701	593.5
BS40Z-../D..08.A.	199.5	142.5	156	610	114.5	136.5	676	722	783.5	676
BS40-../D..08.B.	229.5	60	156	557.5	114.5	136.5	623.5	669.5	730.5	623.5
BS40Z-../D..08.B.	229.5	142.5	156	640	114.5	136.5	706	752	813	706
BS40-../D..09.A.	250.5	74.5	176	593	124	157	686	700.5	790	686
BS40Z-../D..09.A.	250.5	157	176	675.5	124	157	768.5	783	872.5	768.5
BS40-../D..09.B.	308.5	74.5	176	651	124	157	744	758	848	744
BS40Z-../D..09.B.	308.5	157	176	733.5	124	157	826.5	840.5	930.5	826.5
BS40-../D..11.A.	319	81	218	668	165	176	766	775.5	868	766
BS40-../D..11.B.	387	81	218	736	165	176	832	843.5	936	832

Dimensions in millimetres (mm)

The actual gearbox design can vary from the geometry shown. Generate drive specific 3D and 2D geometries under [www.BauerCat.com](http://www.BauerCat.com).

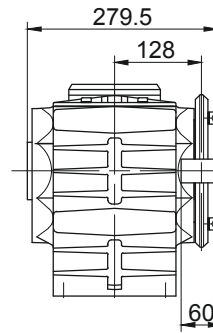
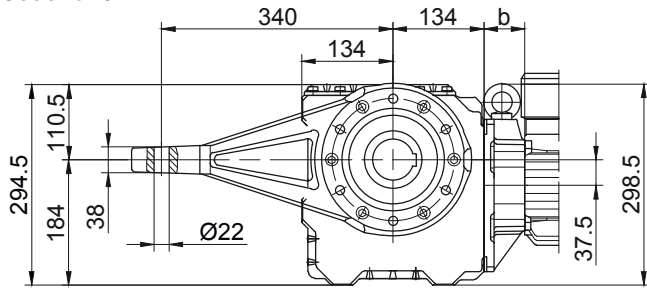
# BS-series worm-geared motors

## Dimension - Standard Metric

### BS40 - BS40Z

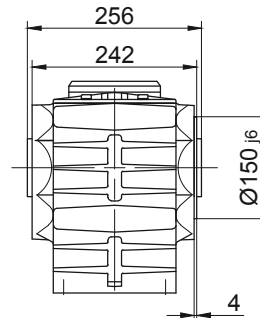
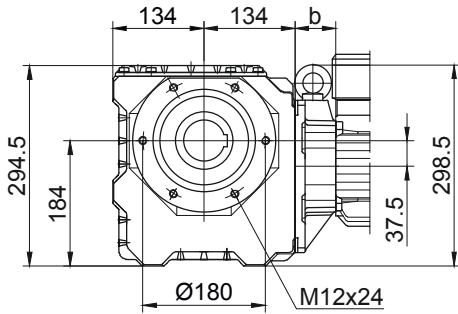
Torque arm at front

Code -5.V/



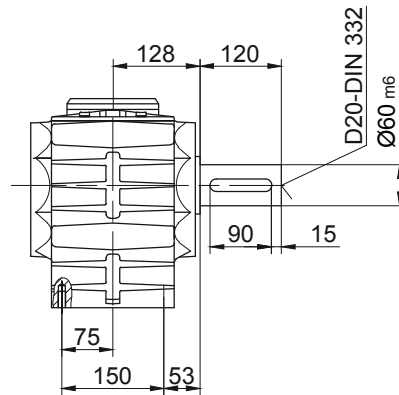
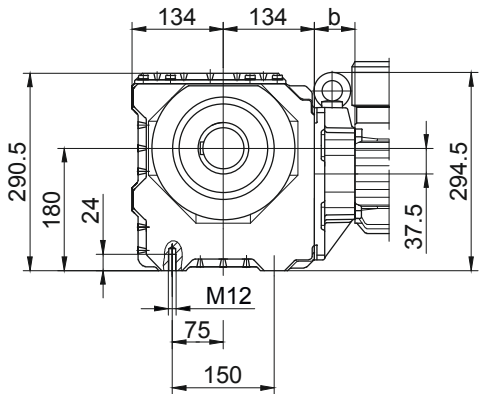
Foot with tapped holes at front

Code -7.V/



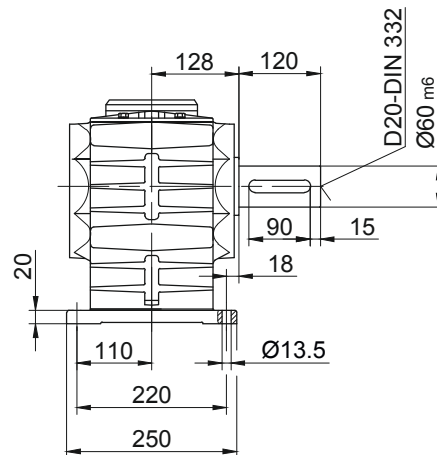
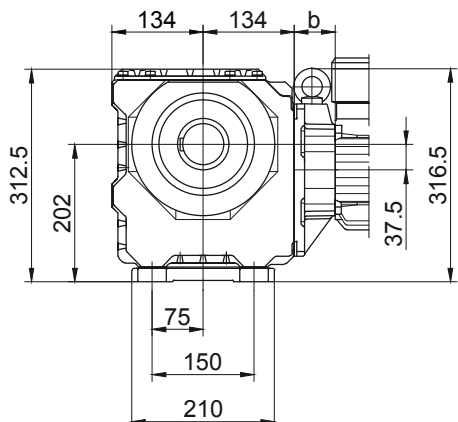
Foot with tapped holes at bottom

Code -6.U/



Foot with clearance holes at bottom

Code -1.U/



The actual gearbox design can vary from the geometry shown. Generate drive specific 3D and 2D geometries under [www.BauerCat.com](http://www.BauerCat.com).

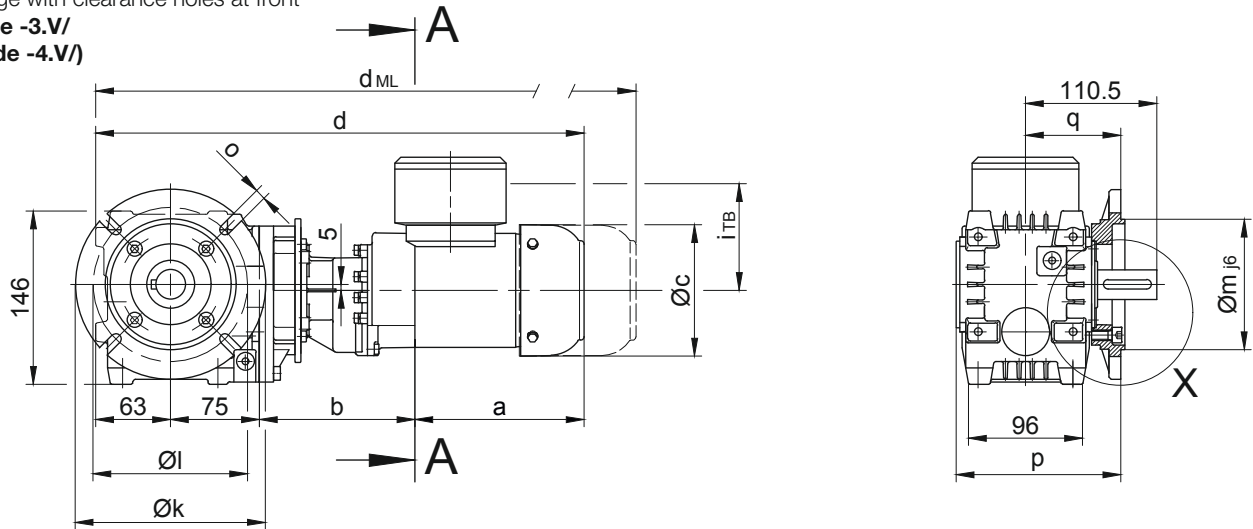
# BS-series worm-geared motors

## Dimension - Tandem Gearbox Metric

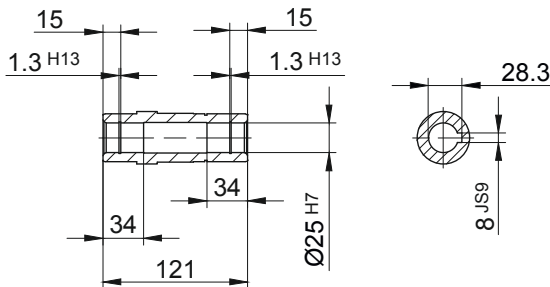
### BS06G04

Flange with clearance holes at front

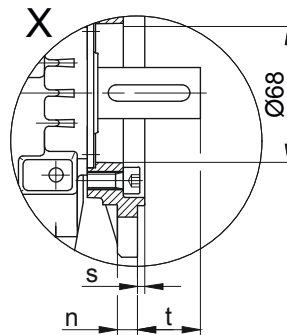
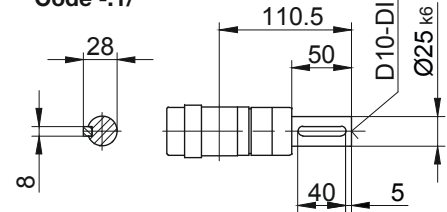
Code -3.V/  
(Code -4.V)



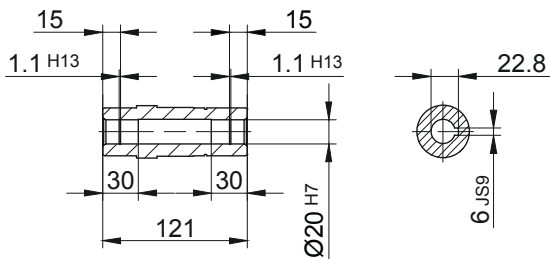
Code -4/  
Standard



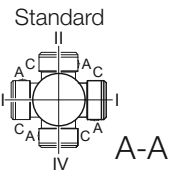
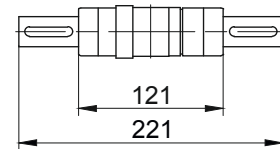
Code -1/



Code -4/K20



Code -3/



Flange Dimensions											
Type	Design	k	l	m	n	o	p	q	s	t	
BS06..	Code -3.V/	140	115	95	10	9	138.3	80	3	30.5	
BS06..	Code -4.V/	160	130	110	10	9	138.3	80	3.5	30.5	

Dimensions in millimetres (mm)

Type	a	b	c	d	i	Design with motor extensions				
						$i_{TB}$	Brake	Encoder	Brake with Encoder	Back Stop
							$d_{ML}$	$d_{ML}$	$d_{ML}$	$d_{ML}$
BS06G04-.../D04.A.	142.5	131	110.5	411.5	90	112	455	499	542.5	-

Dimensions in millimetres (mm)

The actual gearbox design can vary from the geometry shown. Generate drive specific 3D and 2D geometries under [www.BauerCat.com](http://www.BauerCat.com).



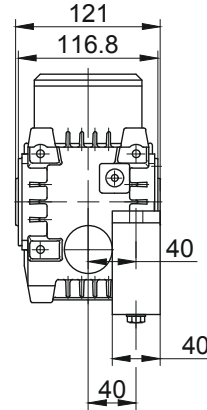
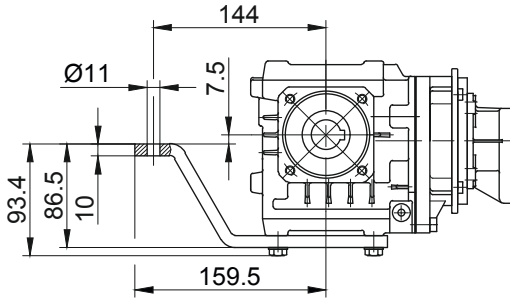
# BS-series worm-geared motors

## Dimension - Tandem Gearbox Metric

### BS06G04

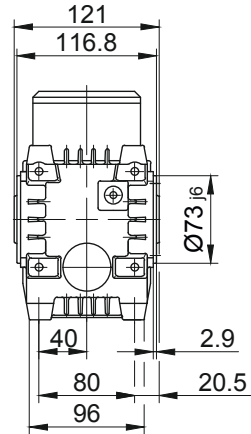
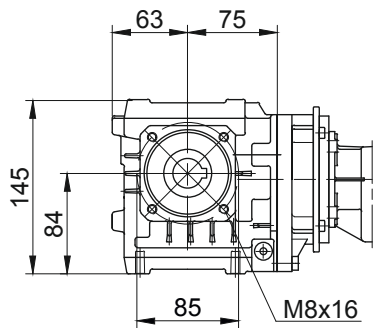
Torque arm at front

Code -5.V/



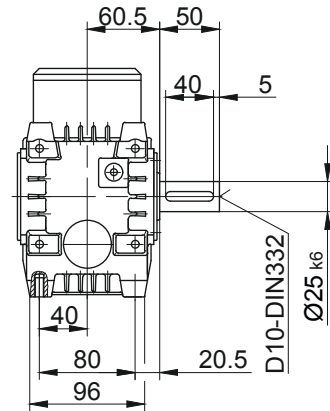
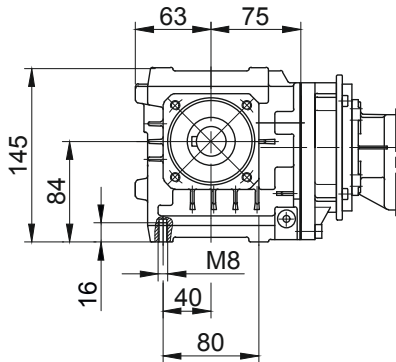
Flange with tapped holes at front

Code -7.V/



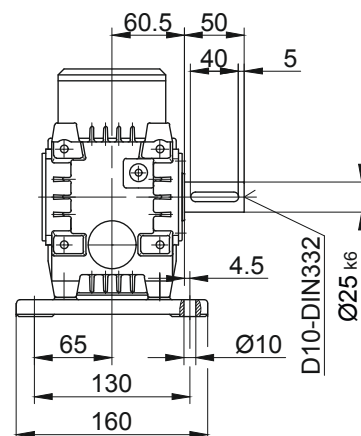
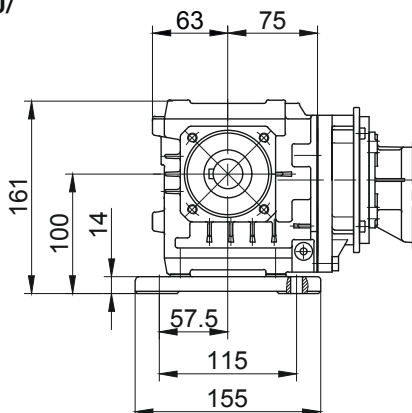
Foot with tapped holes at bottom

Code -6.U/



Foot with clearance holes at bottom

Code -1.U/



The actual gearbox design can vary from the geometry shown. Generate drive specific 3D and 2D geometries under [www.BauerCat.com](http://www.BauerCat.com).

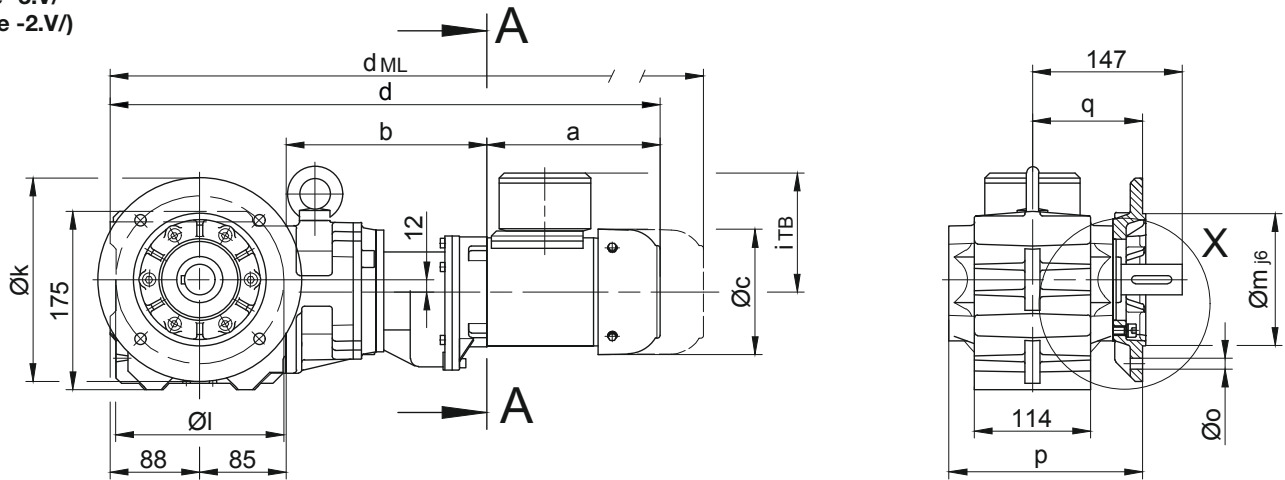
# BS-series worm-geared motors

## Dimension - Tandem Gearbox Metric

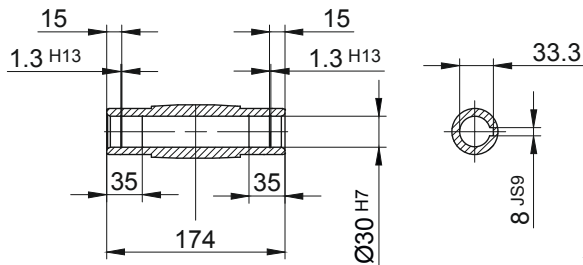
### BS10G06

Flange with clearance holes at front

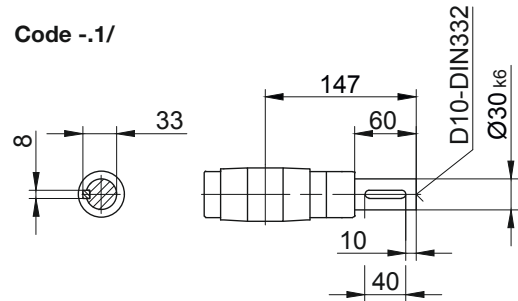
Code -3.V/  
(Code -2.V/)



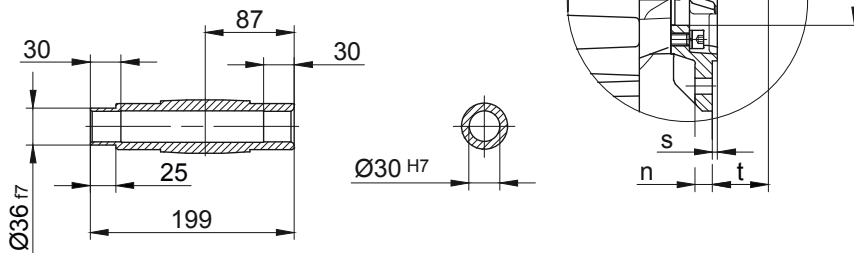
### Code -4/



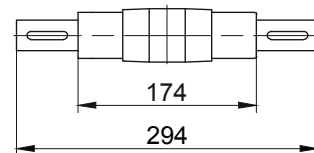
### Code -1/



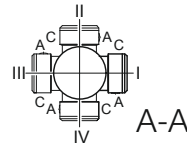
### Code -5/



### Code -3/



Standard



Flange Dimensions										
Type	Design	k	l	m	n	o	p	q	s	t
BS10..	Code -3.V/	200	165	130	12	11	190	108	3.5	39
BS10..	Code -2.V/	160	130	110	10	9	183	101	3.5	46

Dimensions in millimetres (mm)

Type	a	b	c	d	i	Design with motor extensions				
						iTB	Brake	Encoder	Brake with Encoder	Back Stop
							d <sub>ML</sub>	d <sub>ML</sub>	d <sub>ML</sub>	d <sub>ML</sub>
BS10G06-../D04.A.	142.5	195	110.5	510.5	90	112	554	598	641.5	-
BS10G06-../D..05.A.	170.5	197	123	540.5	101	117	582.5	643	680.5	-
BS10G06-../D..06.A.	170.5	197	123	540.5	99	119	582.5	643	680.5	-
BS10G06-../D..07.A.	190.5	197	123	560.5	99	119	602.5	663	700.5	-
BS10G06-../D..08.A.	199.5	241	156	613.5	114.5	136.5	679.5	725.5	787	679.5
BS10G06-../D..08.B.	229.5	241	156	643.5	114.5	136.5	709.5	755.5	816.5	709.5

Dimensions in millimetres (mm)

The actual gearbox design can vary from the geometry shown. Generate drive specific 3D and 2D geometries under [www.BauerCat.com](http://www.BauerCat.com).

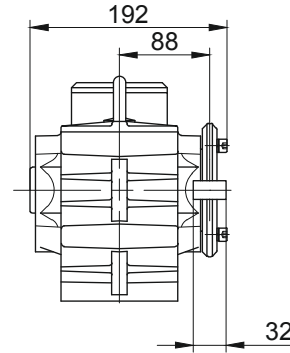
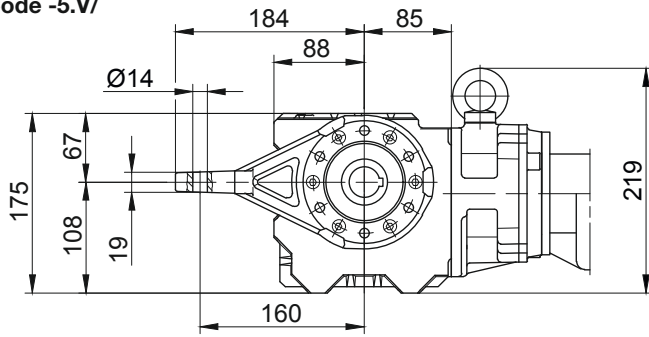
# BS-series worm-geared motors

## Dimension - Tandem Gearbox Metric

### BS10G06

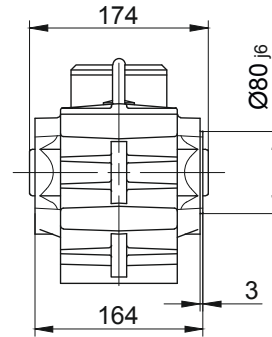
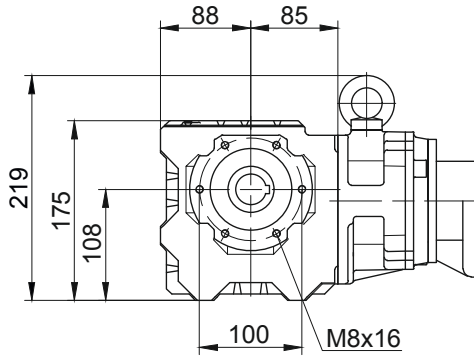
Torque arm at front

Code -5.V/



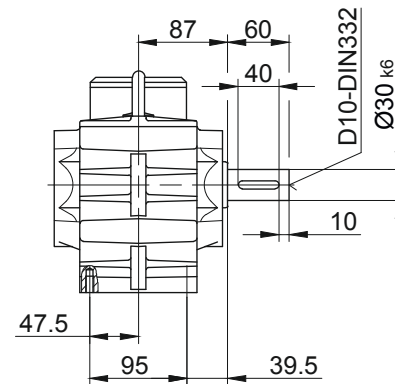
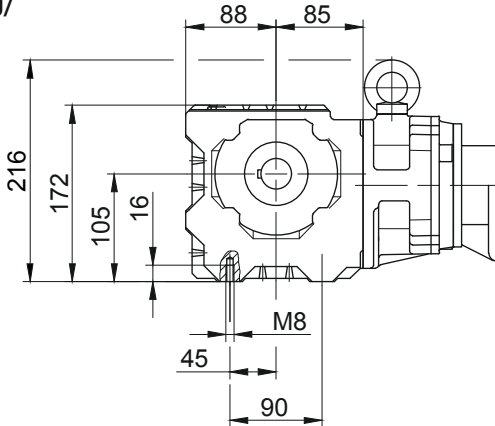
Flange with tapped holes at front

Code -7.V/



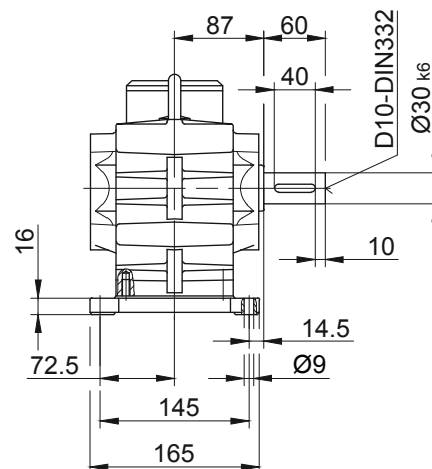
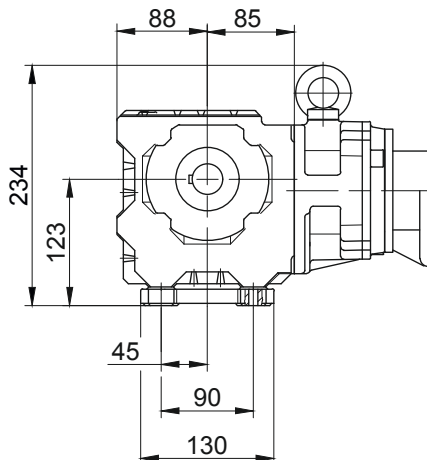
Foot with tapped holes at bottom

Code -6.U/



Foot with clearance holes at bottom

Code -1.U/



The actual gearbox design can vary from the geometry shown. Generate drive specific 3D and 2D geometries under [www.BauerCat.com](http://www.BauerCat.com).

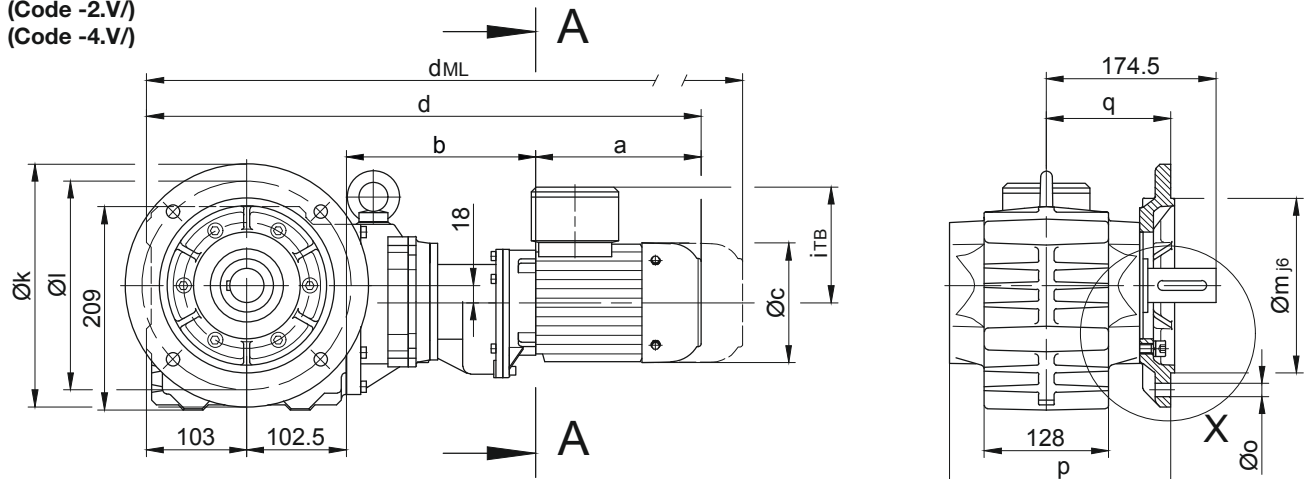
# BS-series worm-geared motors

## Dimension - Tandem Gearbox Metric

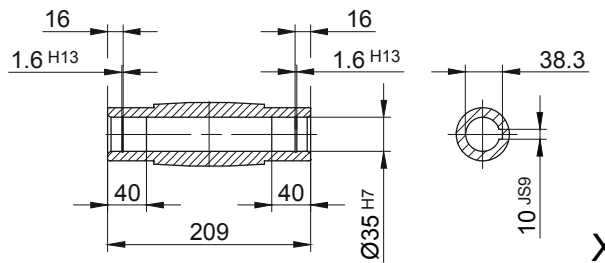
### BS20G06

Flange with clearance holes at front

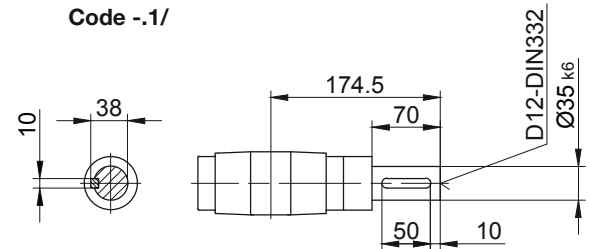
Code -3.V/  
(Code -2.V/)  
(Code -4.V/)



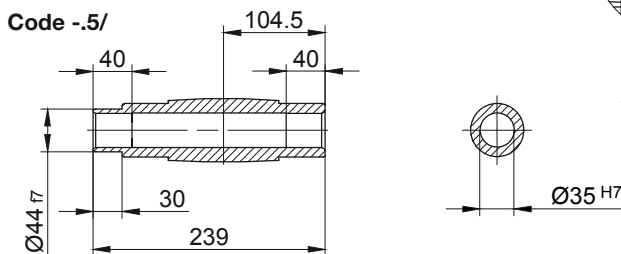
### Code -4/



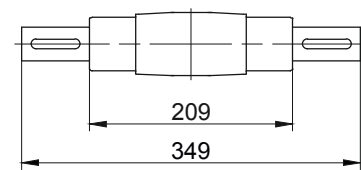
### Code -1/



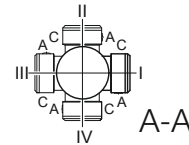
### Code -5/



### Code -3/



Standard



Flange Dimensions										
Type	Design	k	l	m	n	o	p	q	s	t
BS20..	Code -3.V/	250	215	180	16	13.5	227.5	128	4	46.5
BS20..	Code -2.V/	200	165	130	12	11	224.5	125	3.5	49.5
BS20..	Code -4.V/	300	265	230	20	13.5	233.5	134	4	40.5

Dimensions in millimetres (mm)

Type	a	b	c	d	i	Design with motor extensions				
						iTB	Brake	Encoder	Brake with Encoder	Back Stop
							dML	dML	dML	dML
BS20G06-../D04.A.	142.5	193	110.5	541	90	112	584.5	628.5	672	-
BS20G06-../D..05.A.	170.5	195	123	571	101	117	613	673.5	711	-
BS20G06-../D..06.A.	170.5	195	123	571	99	119	613	673.5	711	-
BS20G06-../D..07.A.	190.5	195	123	591	99	119	633	693.5	731	-
BS20G06-../D..08.A.	199.5	239	156	644	114.5	136.5	710	756	817.5	710
BS20G06-../D..08.B.	229.5	239	156	674	114.5	136.5	740	786	847	740

Dimensions in millimetres (mm)

The actual gearbox design can vary from the geometry shown. Generate drive specific 3D and 2D geometries under [www.BauerCat.com](http://www.BauerCat.com).

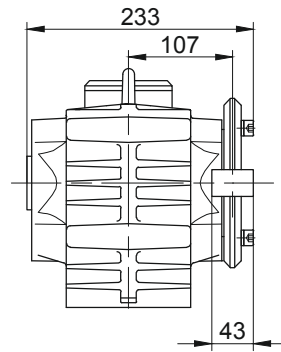
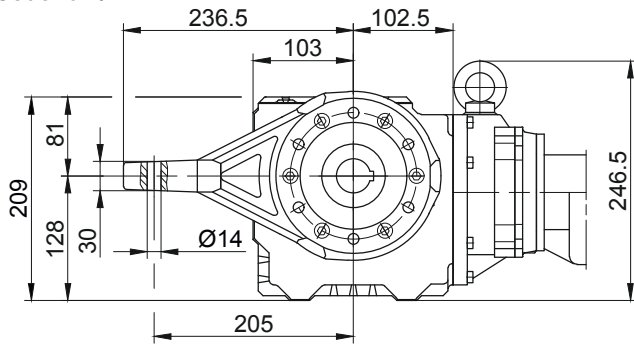
# BS-series worm-geared motors

## Dimension - Tandem Gearbox Metric

### BS20G06

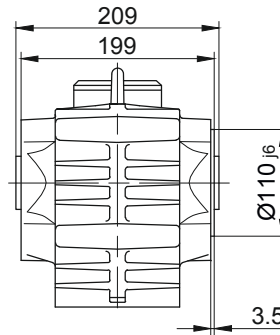
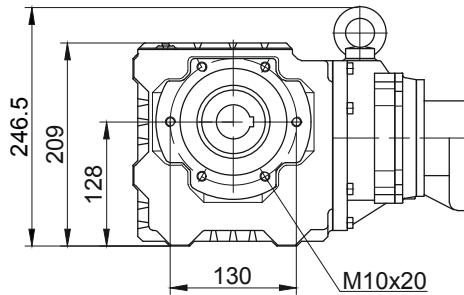
Torque arm at front

Code -5.V/



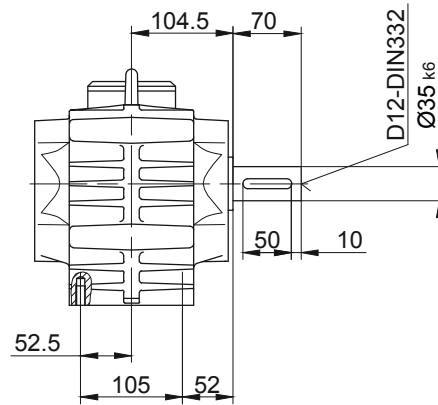
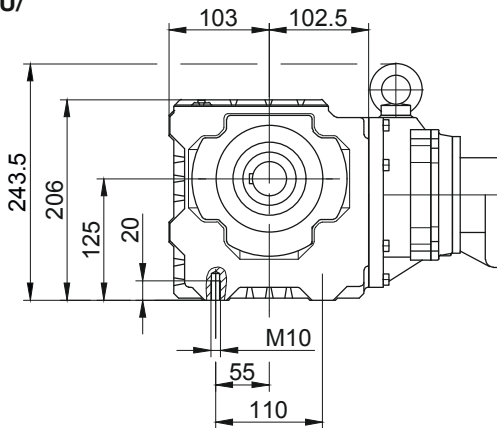
Flange with tapped holes at front

Code -7.V/



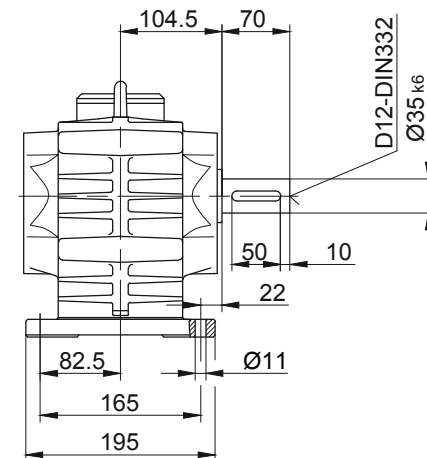
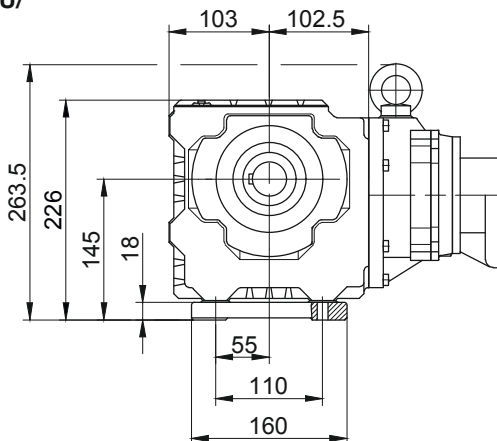
Foot with tapped holes at bottom

Code -6.U/



Foot with clearance holes at bottom

Code -1.U/



The actual gearbox design can vary from the geometry shown. Generate drive specific 3D and 2D geometries under [www.BauerCat.com](http://www.BauerCat.com).

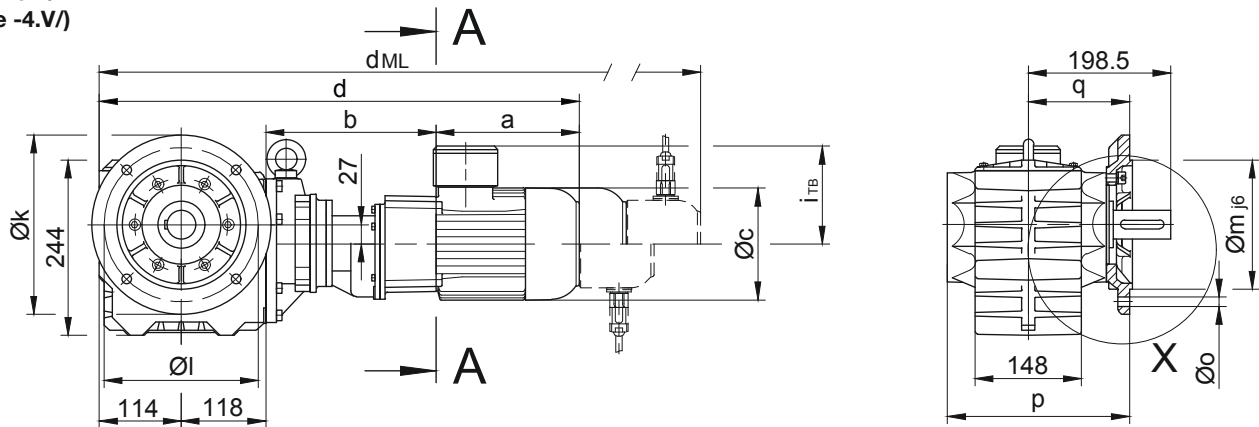
# BS-series worm-geared motors

## Dimension - Tandem Gearbox Metric

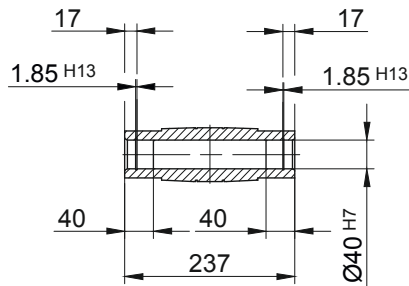
### BS30G06

Flange with clearance holes at front

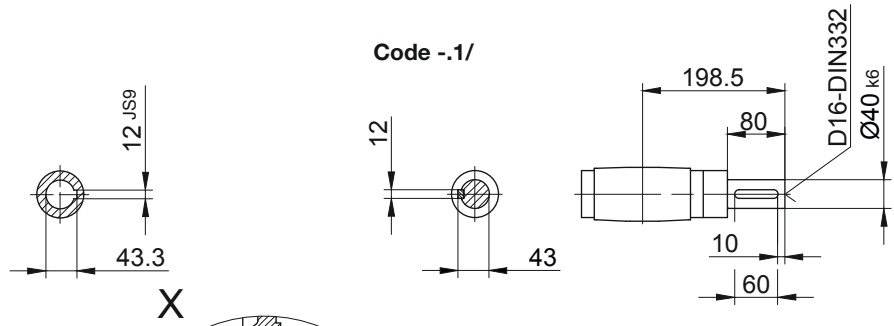
Code -3.V/  
(Code -4.V/)



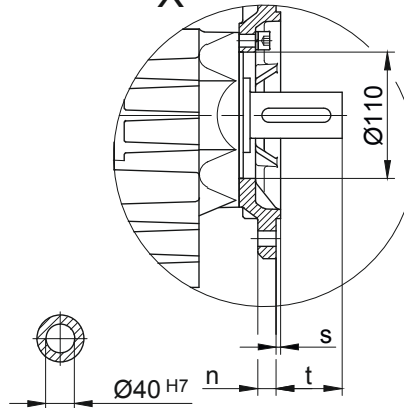
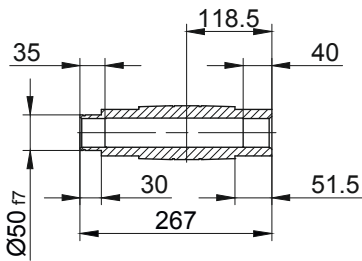
### Code -4/



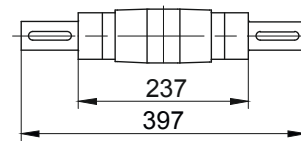
### Code -1/



### Code -5/

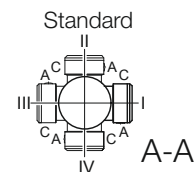


### Code -3/



Flange Dimensions										
Type	Design	k	l	m	n	o	p	q	s	t
BS30..	Code -3.V/	250	215	180	16	13.5	253.5	141	4	57.5
BS30..	Code -4.V/	300	265	230	20	13.5	259.5	147	4	51.5

Dimensions in millimetres (mm)



Type	a	b	c	d	i	Design with motor extensions				
						iTB	Brake	Encoder	Brake with Encoder	Back Stop
							dML	dML	dML	dML
BS30G06-../D04.A.	142.5	191	110.5	565.5	90	112	609	653	696.5	-
BS30G06-../D..05.A.	170.5	193	123	595.5	101	117	637.5	698	735.5	-
BS30G06-../D..06.A.	170.5	193	123	595.5	99	119	637.5	698	735.5	-
BS30G06-../D..07.A.	190.5	193	123	615.5	99	119	657.5	718	755.5	-
BS30G06-../D..08.A.	199.5	237	156	668.5	114.5	136.5	734.5	780.5	842	734.5
BS30G06-../D..08.B.	229.5	237	156	698.5	114.5	136.5	764.5	810.5	871.5	764.5

Dimensions in millimetres (mm)

The actual gearbox design can vary from the geometry shown. Generate drive specific 3D and 2D geometries under [www.BauerCat.com](http://www.BauerCat.com).

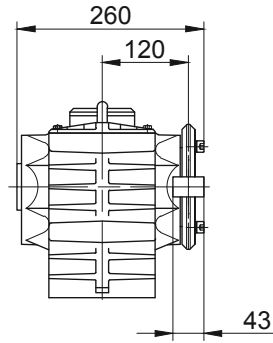
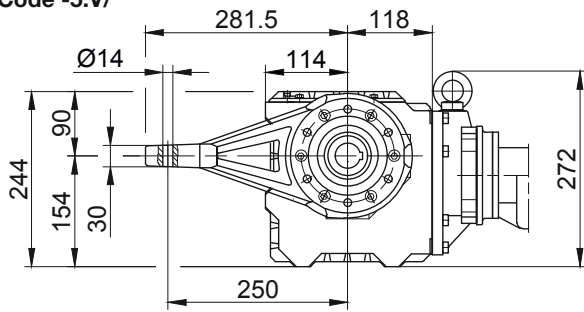
# BS-series worm-gear motors

## Dimension - Tandem Gearbox Metric

### BS30G06

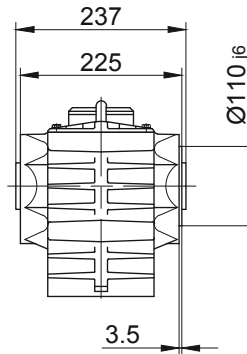
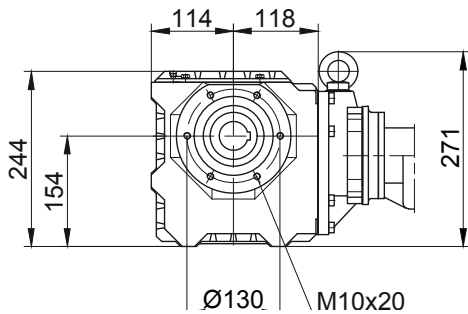
Torque arm at front

Code -5.V/



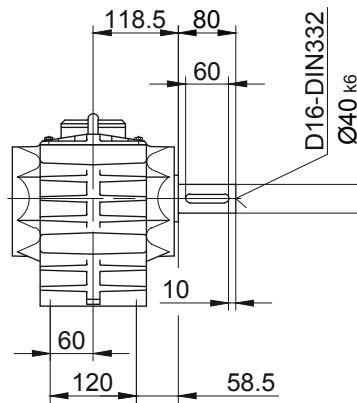
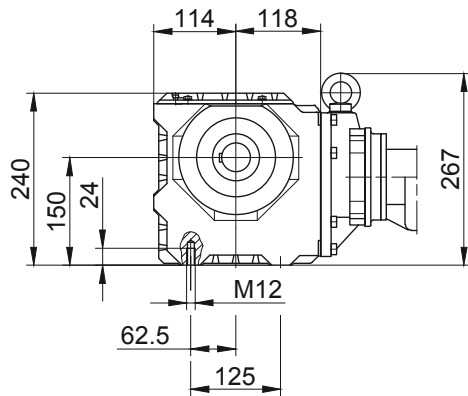
Flange with tapped holes at front

Code -7.V/



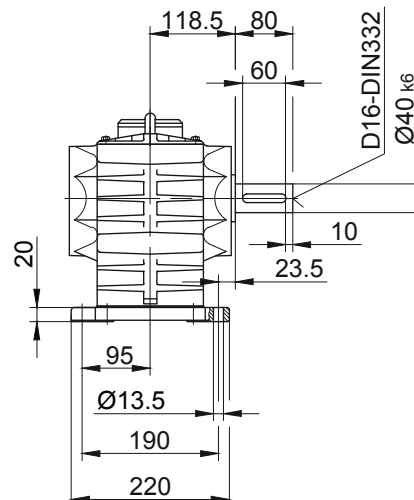
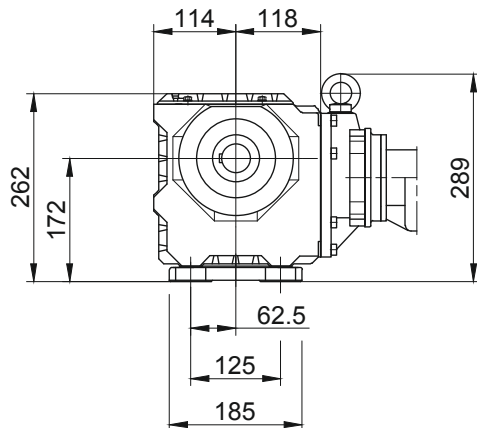
Foot with tapped holes at bottom

Code -6.U/



Foot with clearance holes at bottom

Code -1.U/



The actual gearbox design can vary from the geometry shown. Generate drive specific 3D and 2D geometries under [www.BauerCat.com](http://www.BauerCat.com).

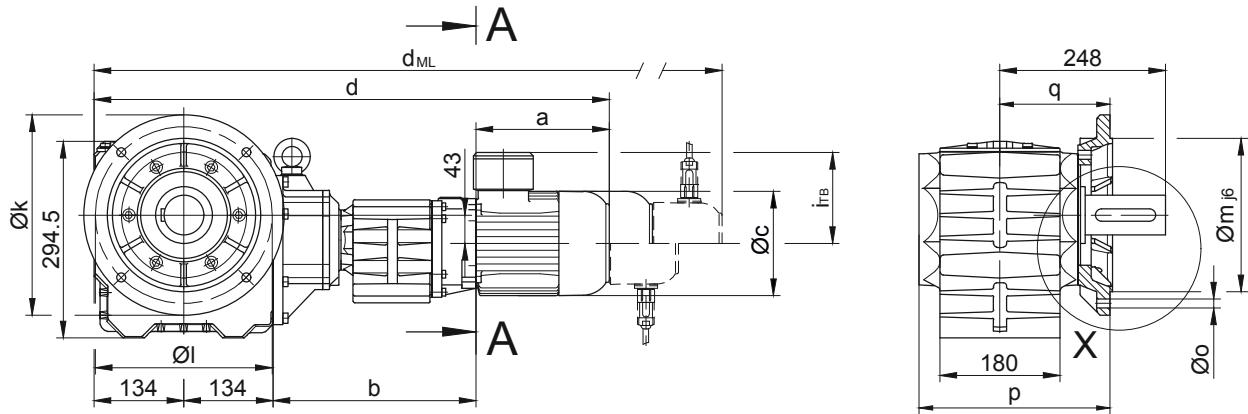
# BS-series worm-geared motors

## Dimension - Tandem Gearbox Metric

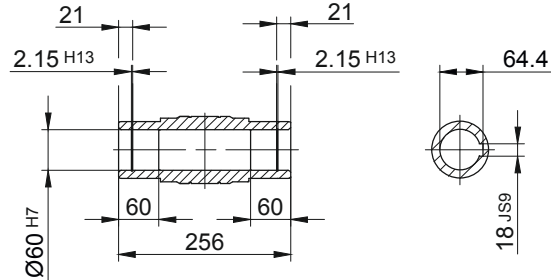
### BS40G10

Flange with clearance holes at front

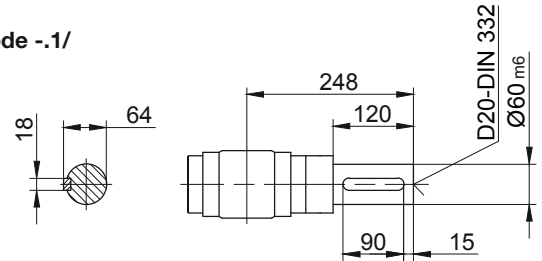
Code -3.V/



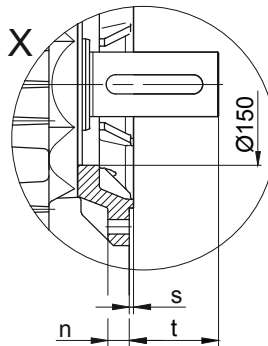
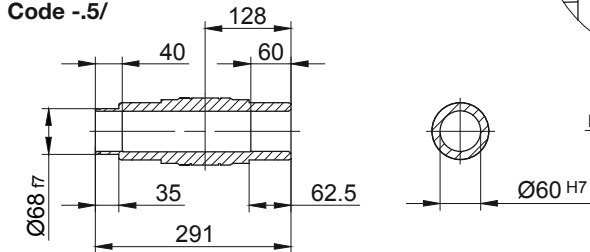
### Code -4/



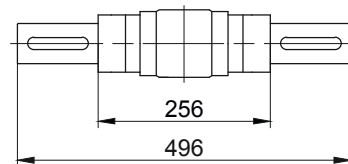
### Code -1/



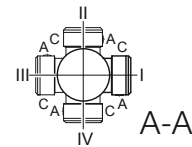
### Code -5/



### Code -3/



Standard



Flange Dimensions											
Type	Design	k	l	m	n	o	p	q	s	t	
BS40..	Code -3.V/	300	265	230	20	13.5	286	165	4	83	

Dimensions in millimetres (mm)

Type	a	b	c	d	i	Design with motor extensions				
						i <sub>TB</sub>	Brake	Encoder	Brake with Encoder	Back Stop
							d <sub>ML</sub>	d <sub>ML</sub>	d <sub>ML</sub>	d <sub>ML</sub>
BS40G10-.../D...05.A.	170.5	300	123	738.5	101	117	780.5	841	878.5	-
BS40G10-.../D...06.A.	170.5	300	123	738.5	99	119	780.5	841	878.5	-
BS40G10-.../D...07.A.	190.5	300	123	758.5	99	119	800.5	861	898.5	-
BS40G10-.../D...08.A.	199.5	304	156	771.5	114.5	136.5	837.5	883.5	945	837.5
BS40G10-.../D...08.B.	229.5	304	156	801.5	114.5	136.5	867.5	913.5	974.5	867.5
BS40G10-.../D...09.A.	250.5	318.5	176	837	124	157	930	944.5	1034	930
BS40G10-.../D...09.B.	308.5	318.5	176	895	124	157	988	1002	1092	988

Dimensions in millimetres (mm)

The actual gearbox design can vary from the geometry shown. Generate drive specific 3D and 2D geometries under [www.BauerCat.com](http://www.BauerCat.com).



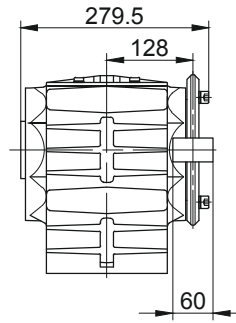
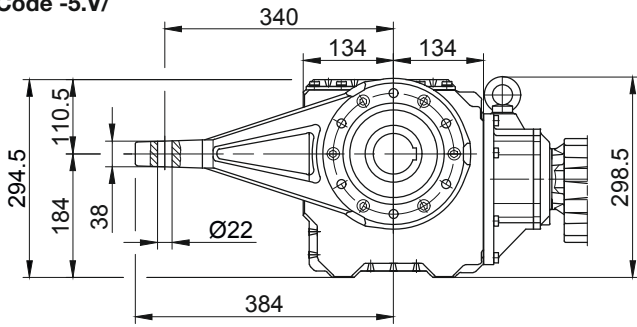
# BS-series worm-gear motors

## Dimension - Tandem Gearbox Metric

### BS40G10

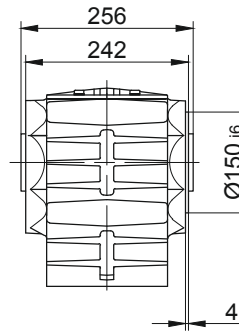
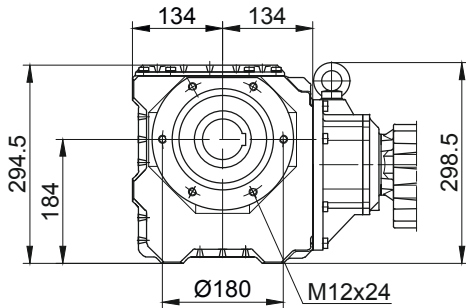
Torque arm at front

Code -5.V/



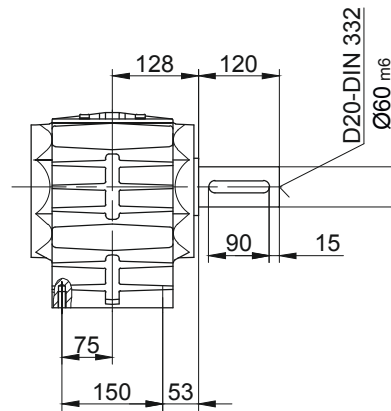
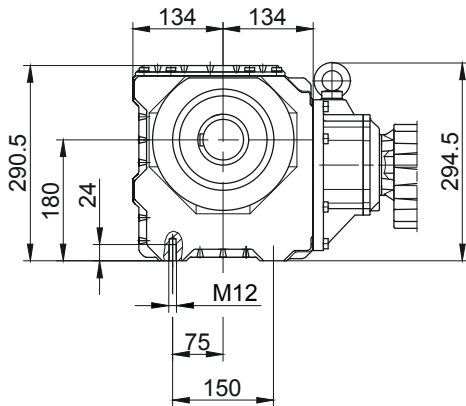
Flange with tapped holes at front

Code -7.V/



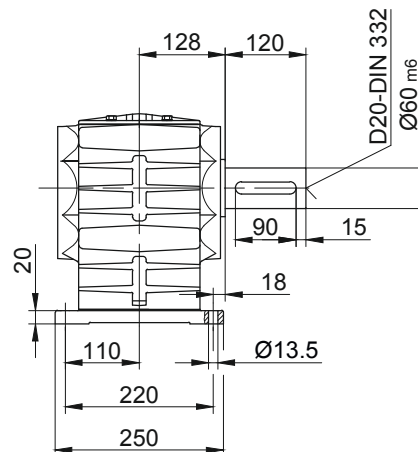
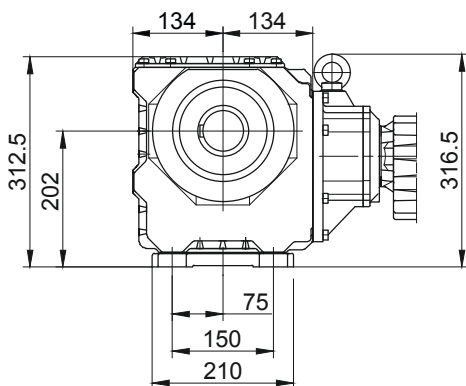
Foot with tapped holes at bottom

Code -6.U/



Foot with clearance holes at bottom

Code -1.U/



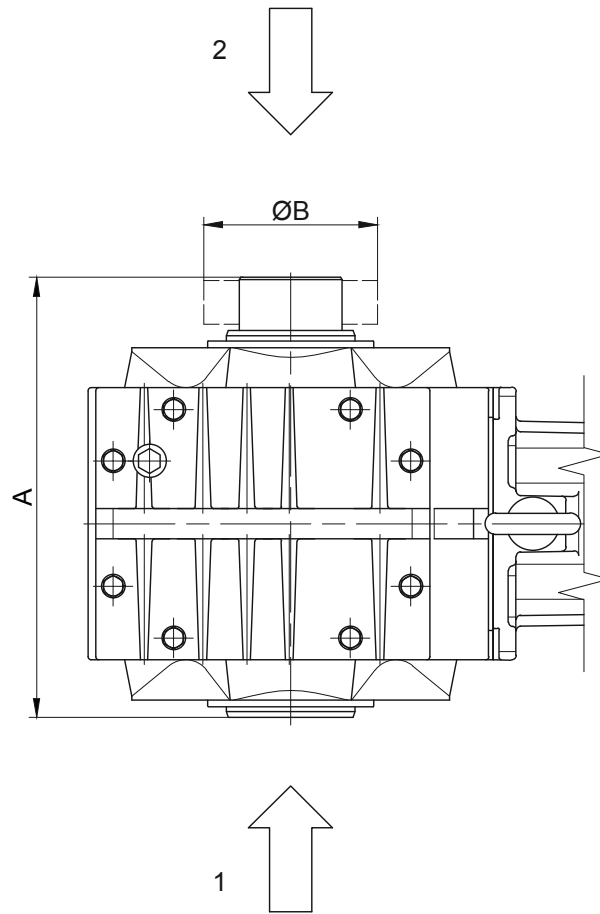
The actual gearbox design can vary from the geometry shown. Generate drive specific 3D and 2D geometries under [www.BauerCat.com](http://www.BauerCat.com).

# BS-series worm-geared motors

## Additional Dimension Sheet Metric

Shrink disc coupling (SSV)

(Code BS10Z-.5/...)



1 Gear side FRONT (V)

2 Gear side REAR (H)

Type	SSV Ringfeder	SSV STÜWE	A	B
BS10	RfN 4161 036x072	HSD 36-22x36	199	72
BS20	RfN 4161 044x080	HSD 44-22x44	239	80
BS30	RfN 4161 050x090	HSD 50-22x50	267	90
BS40	RfN 4161 062x110	HSD 68-22x68	291	115
Dimensions in millimetres (mm)				

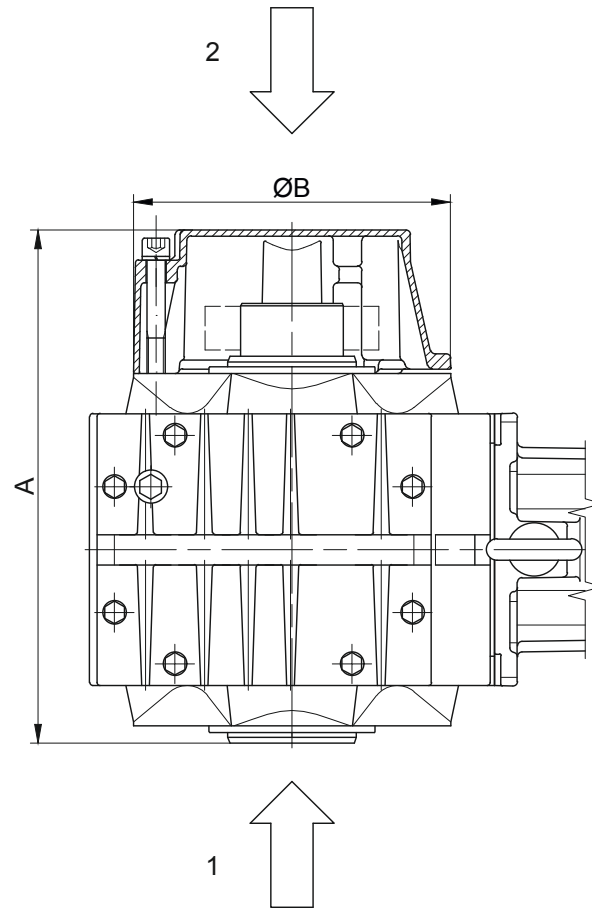
The actual gearbox design can vary from the geometry shown. Generate drive specific 3D and 2D geometries under [www.BauerCat.com](http://www.BauerCat.com).

# BS-series worm-geared motors

## Additional Dimension Sheet Metric

Shrink disc coupling with (SSV) cover

(Code BS10-.5A/...)



1 Gear side FRONT (V)

2 Gear side REAR (H)

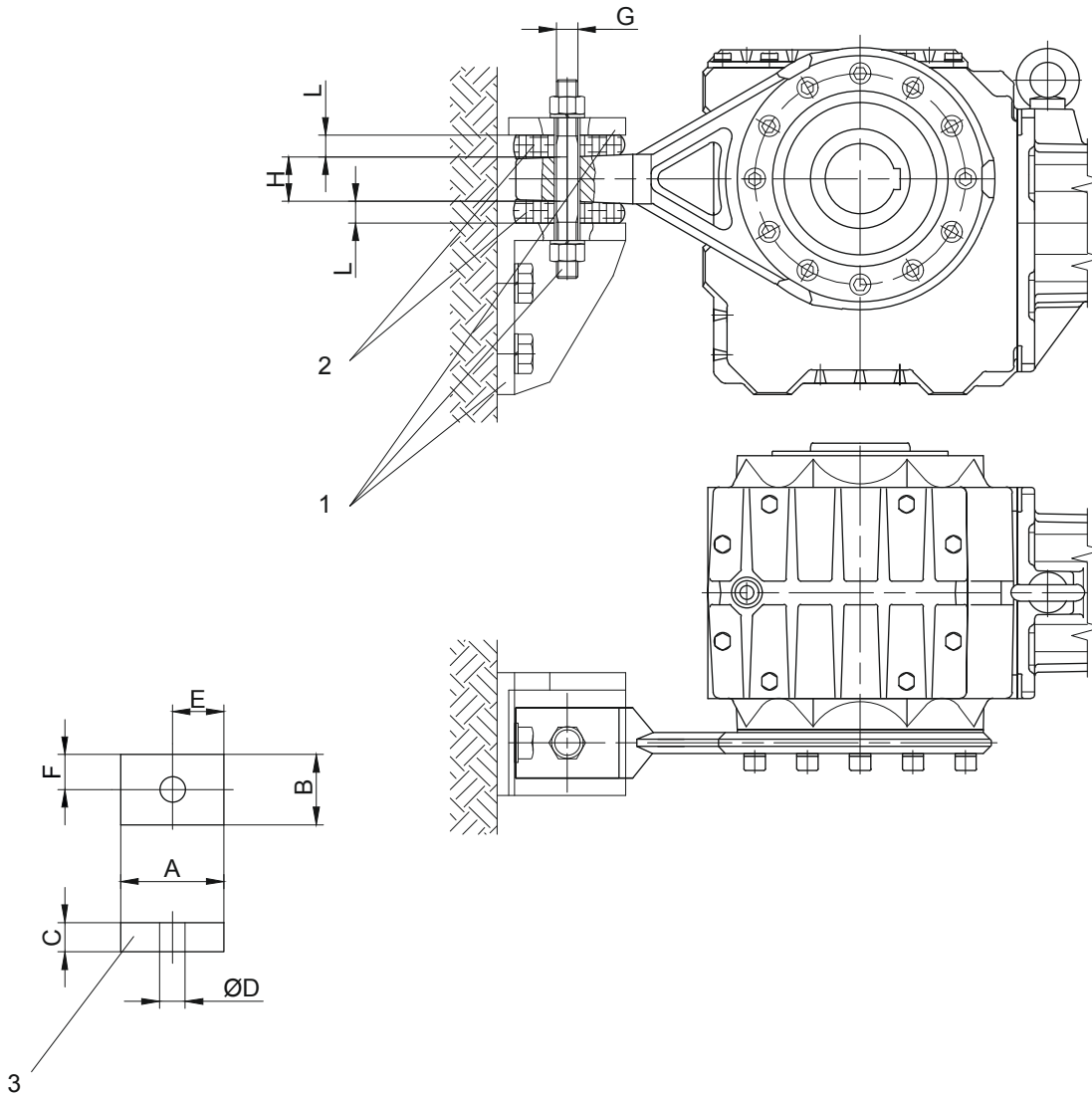
Type	SSV Ringfeder	SSV STÜWE	A	B
BS10	RfN 4161 036x072	HSD 36-22x36	221	120
BS20	RfN 4161 044x080	HSD 44-22x44	286	160
BS30	RfN 4161 050x090	HSD 50-22x50	313	160
BS40	RfN 4161 062x110	HSD 68-22x68	340	210

Dimensions in millimetres (mm)

# BS-series worm-gearred motors

## Additional Dimension Sheet Metric

### Rubber buffer for torque arm



1 not included in delivery

2 Rubber buffers pretensioned

3 Rubber buffer - only for BS03-BS40

G maximaler Schraubendurchmesser

Material: Natural rubber  
Hardness 50 +/-5 Shore A

Dimensions of the transverse hole:  
see dimensioned sketch of the respective shaft mounted gearbox

Gear	Position	A	B	C	D	E	F	G	H	L
BS02	-	-	-	-	-	-	-	M8	6	-
BS03	Position 0	30	30	12	12	15	15	M8	10	10.5
BS04	Position 0	30	30	12	12	15	15	M8	10	10.5
BS06	Position 0	30	30	12	12	15	15	M10	10	10
BS10	Position 1	48	32	15	14	24	16	M10	19	13
BS20	Position 2	63	43	20	14	31.5	21.5	M10	30	17.5
BS30	Position 2	63	43	20	14	31.5	21.5	M10	30	17
BS40	Position 3	88	60	25	22	44	30	M18	38	22

Dimensions in millimetres (mm)

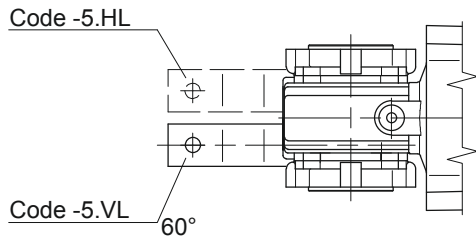
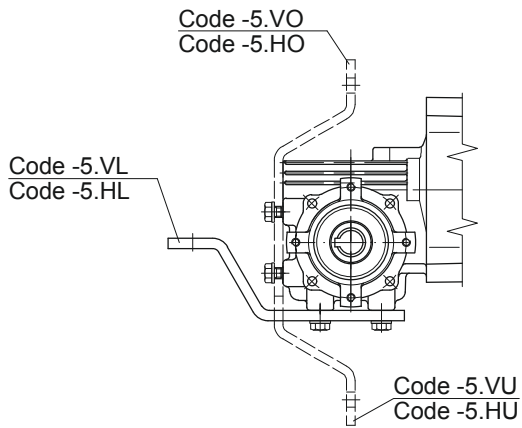
The actual gearbox design can vary from the geometry shown. Generate drive specific 3D and 2D geometries under [www.BauerCat.com](http://www.BauerCat.com).

# BS-series worm-geared motors

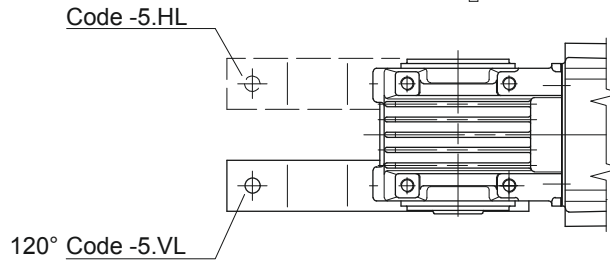
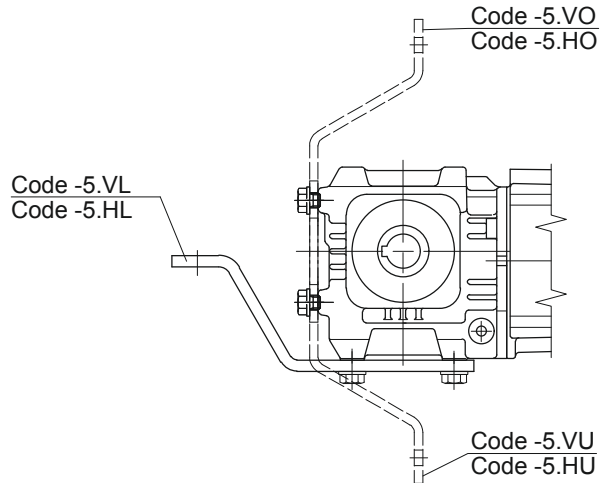
## Additional Dimension Sheet Metric

### Position of the torque arm

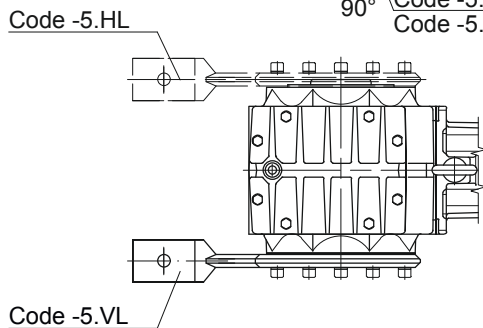
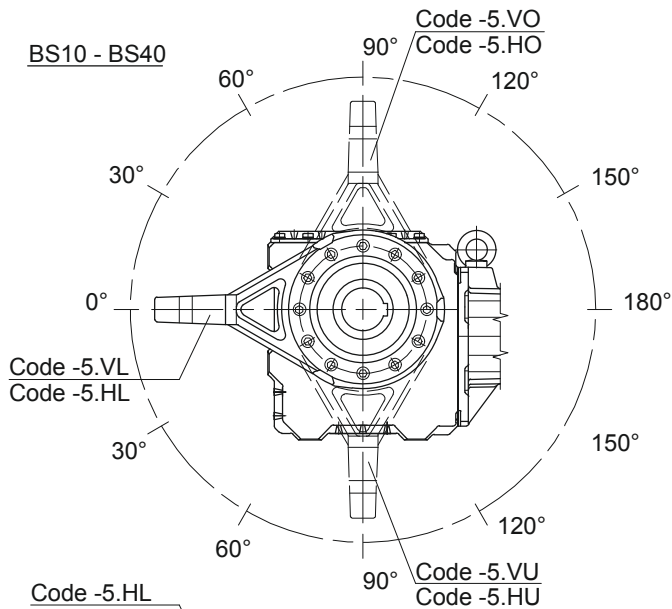
BS02 / BS03



BS04 / BS06



BS10 - BS40



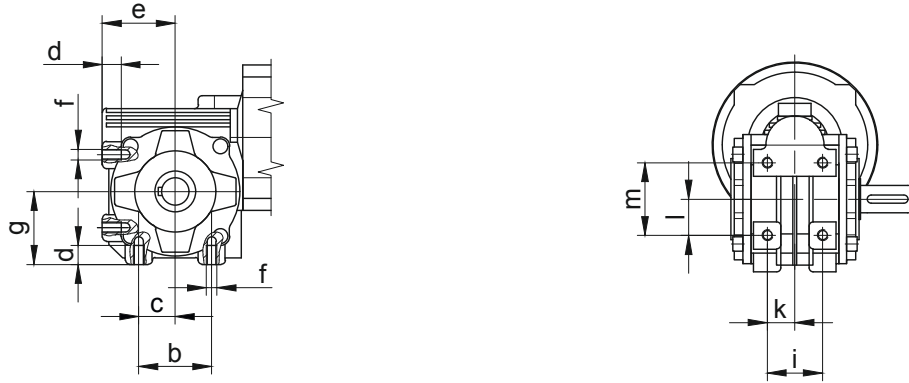
Gear	Position						
	VL/HL	VO/HO/VU/HU					VR/HR
BS10	0°	30°	60°	90°	120°	150°	-
BS20	0°	30°	60°	90°	120°	150°	-
BS30	0°	30°	60°	90°	120°	150°	-
BS40	0°	30°	60°	90°	120°	150°	-

The actual gearbox design can vary from the geometry shown. Generate drive specific 3D and 2D geometries under [www.BauerCat.com](http://www.BauerCat.com).

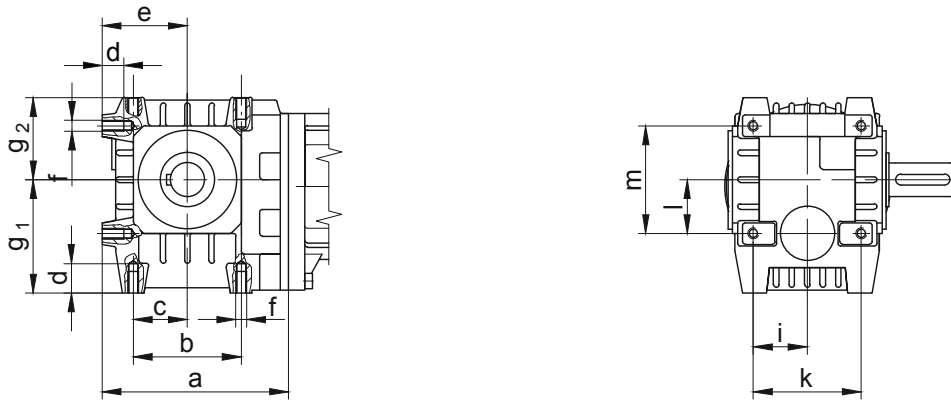
# BS-series worm-geared motors

## Additional Dimension Sheet Metric

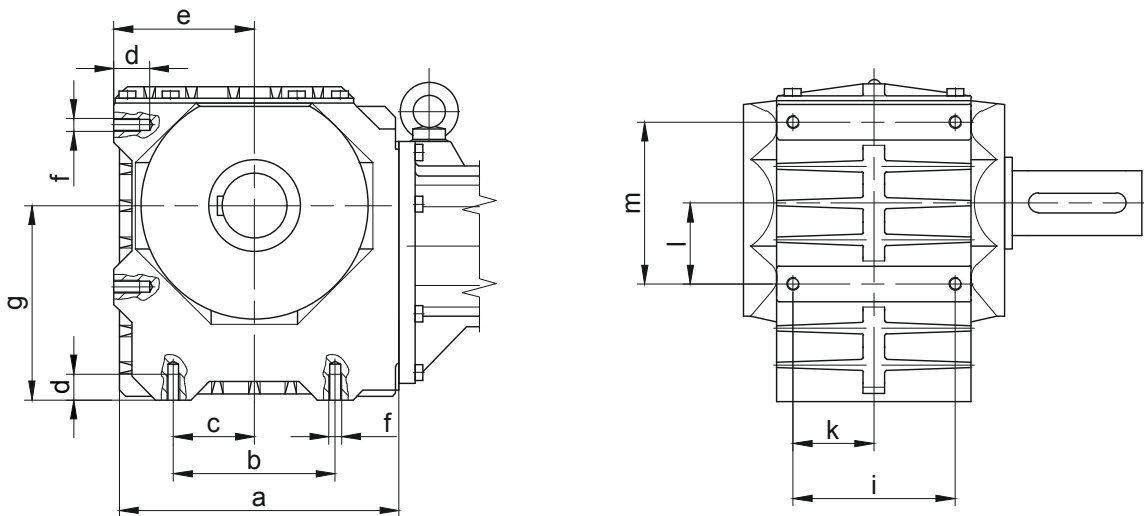
### Threaded foot



Type	a	b	c	d	e	f	g	-	i	k	l	m
BS02	-	36	18	10	40	M6	40	-	32	16	18	36
BS03	-	54	27	14	54	M8	54	-	41	20.5	27	54



Type	a	b	c	d	e	f	g1	g2	i	k	l	m
BS04	111	60	30	15.5	50	M8	64	49.5	30	60	30	60
BS06	138	80	40	16	63	M8	84	61	40	80	40	80



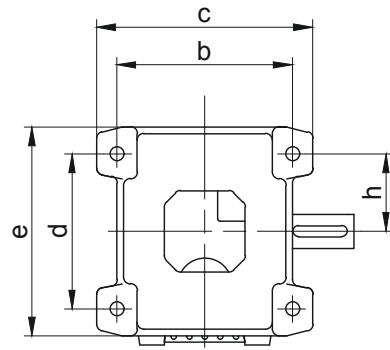
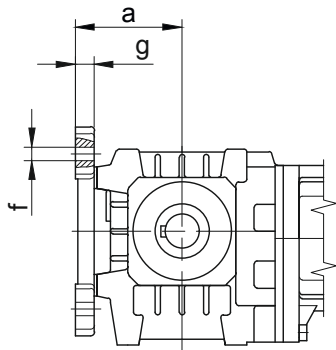
Type	a	b	c	d	e	f	g	-	i	k	l	m
BS10-BS10Z	170	90	45	16	85	M8	105	-	95	47.5	45	90
BS20-BS20Z	202.5	110	55	20	100	M10	125	-	105	52.5	55	110
BS30-BS30Z	228	125	62.5	24	110	M12	150	-	120	60	62.5	125
BS40-BS40Z	264	150	75	24	130	M12	180	-	150	75	75	150

The actual gearbox design can vary from the geometry shown. Generate drive specific 3D and 2D geometries under [www.BauerCat.com](http://www.BauerCat.com).

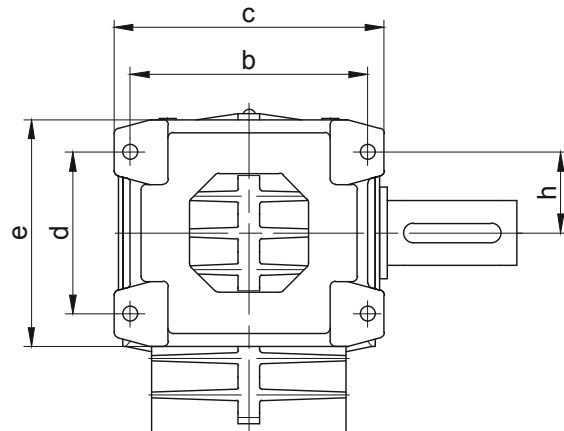
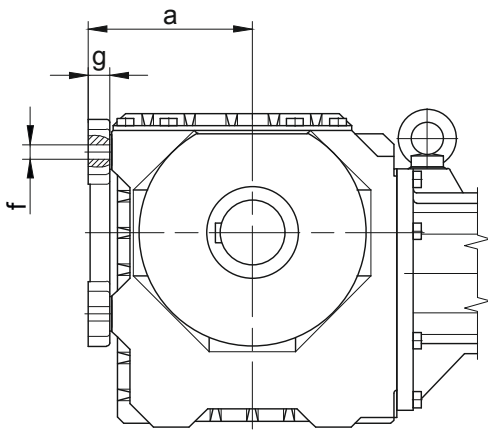
# BS-series worm-geared motors

## Additional Dimension Sheet Metric

### Foot plate, left



Type	a	b	c	d	e	f	g	h
BS04	68	110	140	90	130	10	15	45
BS06	79	130	160	115	155	10	14	57.5



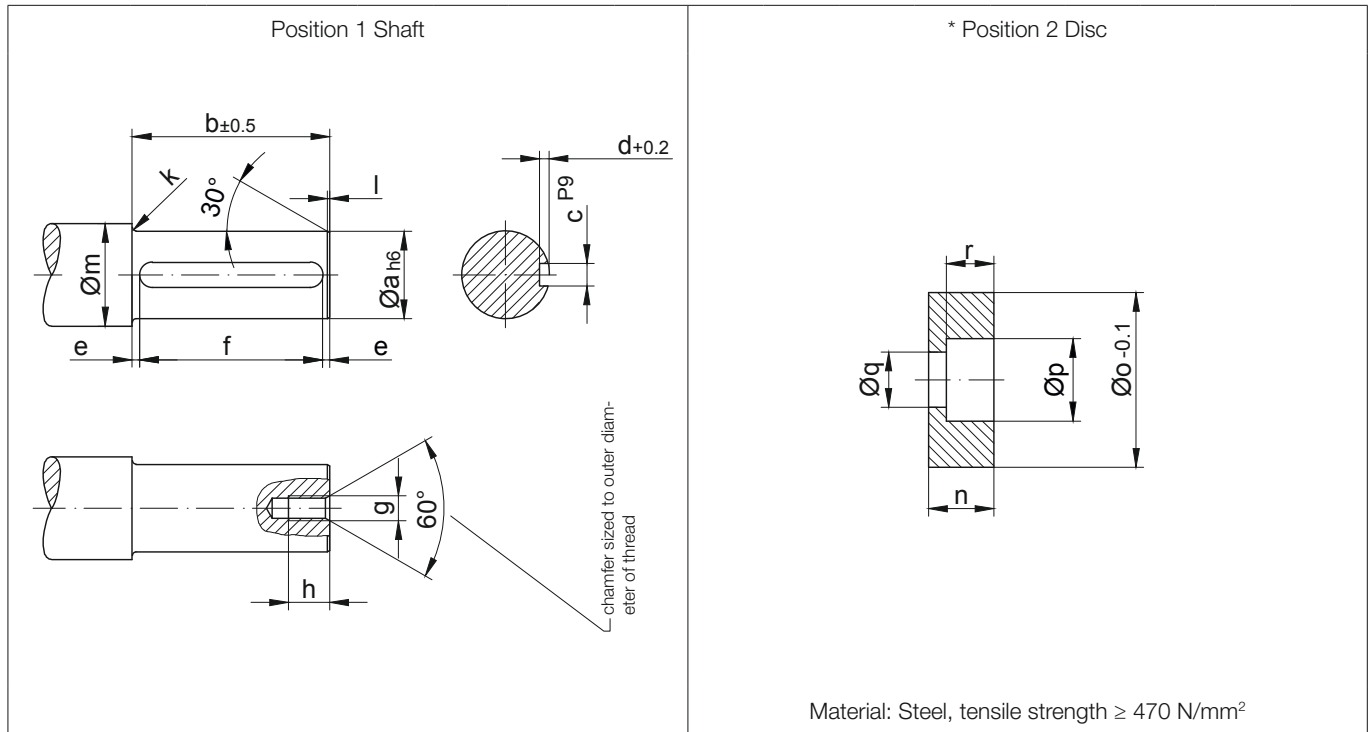
Type	a	b	c	d	e	f	g	h
BS10-BS10Z	103	145	165	90	130	Ø9	16	72.5
BS20-BS20Z	120	165	195	110	160	Ø11	18	55
BS30-BS30Z	132	190	220	125	185	Ø13.5	20	62.5
BS40-BS40Z	152	220	250	150	210	Ø13.5	20	75

The actual gearbox design can vary from the geometry shown. Generate drive specific 3D and 2D geometries under [www.BauerCat.com](http://www.BauerCat.com).

# BS-series worm-geared motors

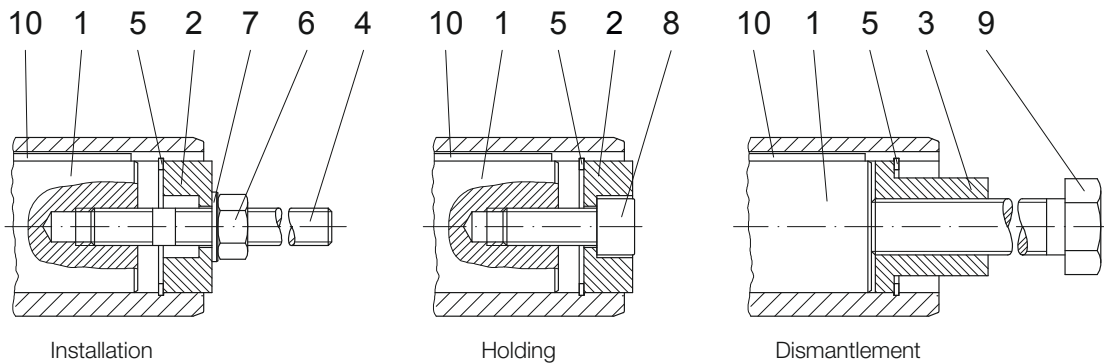
## Additional Dimension Sheet Metric

### Assembly tools for hollow shaft and keyway



Type	Dimensions (mm)															
	Position 1 Shaft											Position 2 Disc				
	a	b	c	d	e	f	g	h	k	l	m	n	o	p	q	r
BS03	20	75	6	3.5	6	63 <sup>+0.3</sup>	M6	16	2	1.5	28	13.5	19.8	11	6.6	6.5
BS04	20	71	6	3.5	7.5	56 <sup>+0.3</sup>	M6	16	2	1.5	28	13.5	19.8	11	6.6	6.5
BS06	25	99	8	4	9.5	80 <sup>+0.3</sup>	M8	18	2.5	1.5	33	13.5	24.8	15	9	8.5
BS10	30	152	8	4	6	140 <sup>+0.5</sup>	M10	20	3	1.5	38	15	29.8	18	11	10
BS20	35	186	10	5	13	160 <sup>+0.5</sup>	M10	20	3	1.5	43	16	34.8	18	11	10
BS30	40	212	12	5	6	200 <sup>+0.5</sup>	M12	22	3	2	48	18	39.8	20	13.5	12
BS40	60	227	18	7	13.5	200 <sup>+0.5</sup>	M20	38	3.5	2	68	24	59.8	33	22	18

13



The parts shown are necessary for assembly. ONLY \* specified parts are enclosed in the assembly kit. Suitable measures are to be used to secure Bolt Pos. 8 against loosening!

The actual gearbox design can vary from the geometry shown. Generate drive specific 3D and 2D geometries under [www.BauerCat.com](http://www.BauerCat.com).



# BS-series worm-geared motors

## Additional Dimension Sheet Metric

### Assembly tools for hollow shaft and keyway

Type	Dimensions (mm)										* Retaining ring DIN 472	Hexagon nut DIN 394-8	Disc DIN 125-St	* Filister head screw DIN 912-8.8	Starting torque (Nm)	Hexagon bolt DIN EN 24017-8.8	Key DIN 6885 Width/Height/Length						
	Position 3 Sleeve						Position 4 Stud bolt											Pos.5	Pos.6	Pos.7	Pos.8	Pos.9	Pos.10
	s	t	u	v	w	R	x	y	z	z1													
BS03	19.8	24	5	11	M8	-	120	90	18	M6	20x1.0	M6	6.4	M6x25	5	M8x110	A 8x7x63						
BS04	19.8	24	5	11	M8	-	120	90	18	M6	20x1.0	M6	6.4	M6x25		M8x110	A 8x7x56						
BS06	19.8	24	5	15.4	M12	0.8	150	120	20	M8	25x1.2	M8	8.4	M8x30		M12x140	A 8x7x80						
BS10	29.8	28	5	19.8	M14	0.8	210	175	23	M10	30x1.2	M10	10.5	M10x30	8	M14x190	A 8x7x140						
BS20	34.9	28	5	23	M14	-	250	215	23	M10	35x1.5	M10	10.5	M10x35		M14x230	A 10x8x160						
BS30	39.9	40	6	27.7	M20	0.8	280	240	28	M12	40x1.75	M12	13	M12x35	16	M20x270	A 12x8x200						
BS40	59.8	60	6	44	M30	-	320	260	45	M20	60x2.0	M20	21	M20x50	42	M30x310	A 18x11x200						

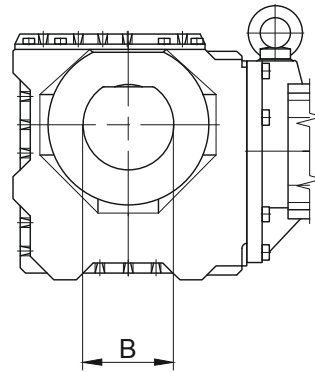
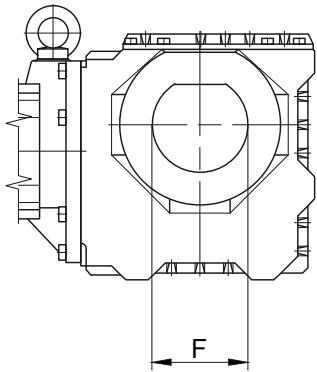
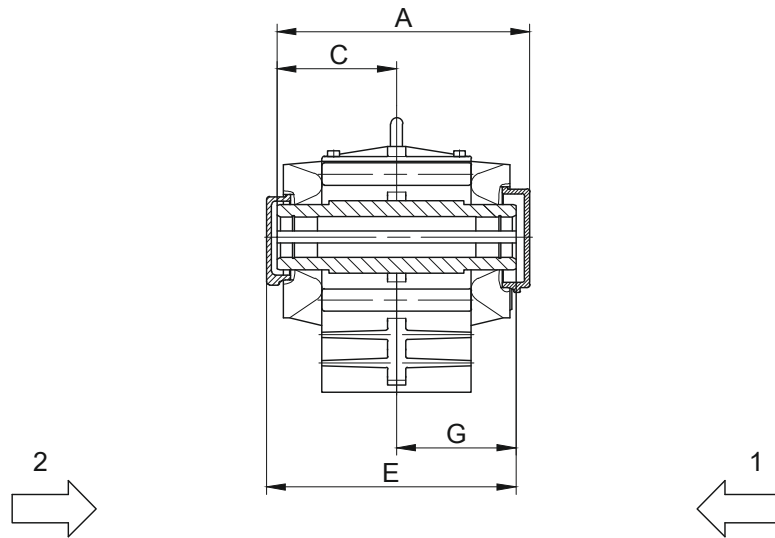
The parts shown are necessary for assembly. ONLY \* specified parts are enclosed in the assembly kit.  
Suitable measures are to be used to secure Bolt Pos. 8 against loosening!

Optional	Type	Assembly tool „Holding“
	BS03	Id.Nr. 4104013
	BS04	Id.Nr. 4104013
	BS06	Id.Nr. 4103921
	BS10	Id.Nr. 4103939
	BS20	Id.Nr. 4103947
	BS30	Id.Nr. 4103955
	BS40	Id.Nr. 4103971

# BS-series worm-geared motors

## Additional Dimension Sheet Metric

### Shaft cap (VK)



- 1 Gear side FRONT (V)
- 2 Gear side REAR (H)

Sealing cap REAR (H)			
Type	A	B	C
BS10	186	68	87
BS30	250.5	100	132
BS40	276	130	128
Dimensions in millimetres (mm)			

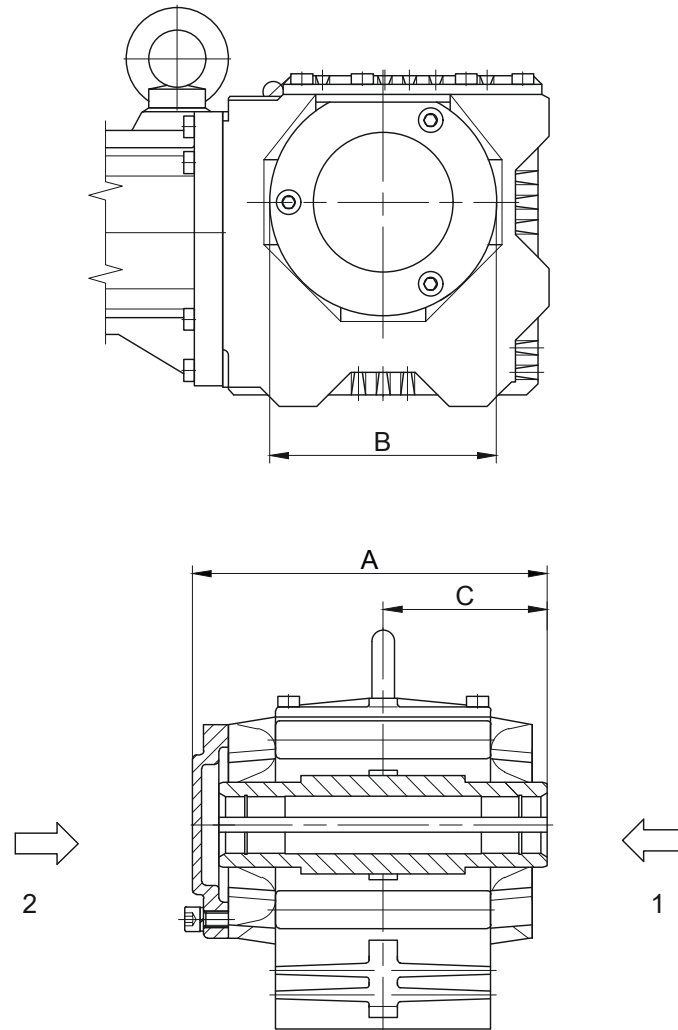
Sealing cap FRONT (V)			
Type	E	F	G
BS20	221	78	104.5
Dimensions in millimetres (mm)			

The actual gearbox design can vary from the geometry shown. Generate drive specific 3D and 2D geometries under [www.BauerCat.com](http://www.BauerCat.com).

# BS-series worm-gear motors

## Additional Dimension Sheet Metric

### Shaft cover (VD)



- 1 Gear side FRONT (V)
- 2 Gear side REAR (H)

Type	A	B	C
BS04	99.5	68	46.5
BS06	128.5	81	60.5
BS10	185	Ø120	87
BS20	224.5	Ø160	104.5
BS30	251.5	Ø160	118.5
BS40	275	Ø210	128
Dimensions in millimetres (mm)			

The actual gearbox design can vary from the geometry shown. Generate drive specific 3D and 2D geometries under [www.BauerCat.com](http://www.BauerCat.com).

# **Energy Efficient Geared Motors**

## **AC Line Operated / North America**