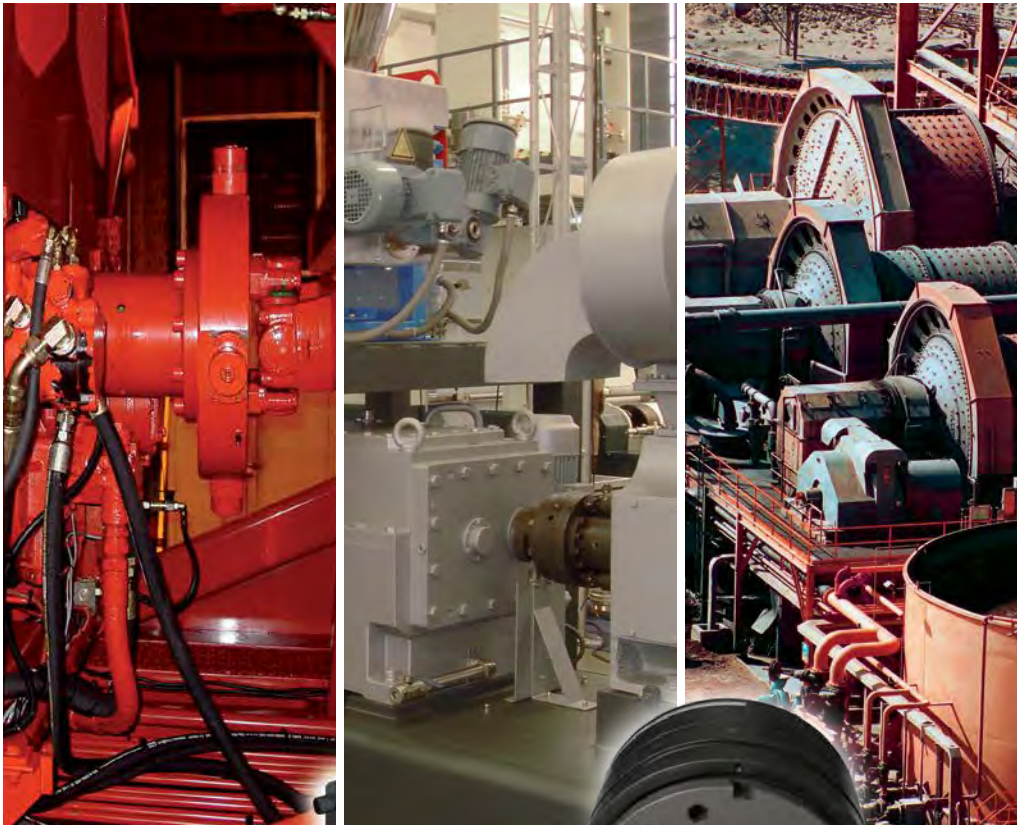


Torque Limiting Overload Protection



 **BIBBY TURBOFLEX™**
A REGAL REXNORD BRAND

Bibby Turboflex...

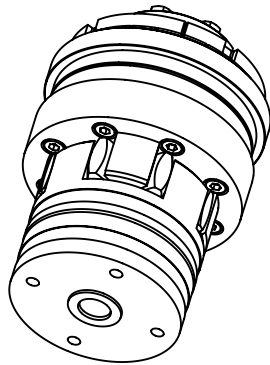
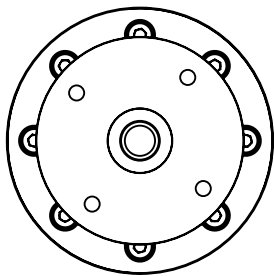
a leading innovator in high performance couplings and engineered torque limiting overload protection solutions for over 80 years.

Now part of Regal Rexnord, with a reach covering more than 70 countries, our vision continually grows without compromising the values which led to such unrivalled success.

With roots dating back to Dr. James Bibby, inventor of the resilient grid coupling in 1917 and the development of the profile disc coupling in 1958, Bibby Turboflex has continued in the pioneering footsteps of these revolutionary leading lights.

Reliability, safety and accuracy are vital in both new and established models. We strive to increase your return on investment by virtually eliminating downtime and optimizing efficiency.

Our policy of recruiting engineers with excellent customer focus and innovative talent continuously advances our development using proven, state-of-the-art hardware and software to deliver excellence. Firmly committed to remaining ahead of market needs, we listen to customer feedback and pre-empt requirements, a focus that has consistently held Bibby Turboflex head and shoulders above our competitors.



Typical Applications:

- Steel Mill Equipment
- Conveyor Drives
- Twin Screw Extruders
- Wood Grinding Machinery
- Ball Mill Drives
- Water Treatment Equipment
- Tunnel Boring Machines
- Machine Tools
- Woodworking Equipment
- Paper Machinery
- Pumps
- Textile Machinery
- Test Rigs
- Packaging Machinery
- Quarry Machinery
- Post Office Machinery
- Bottling Equipment
- Automatic Furnaces and Ovens
- Bakery Equipment
- Printing Equipment

Choose the torque limiting protection that's right for your specific application.

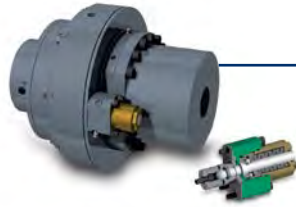


Table of Contents

Page

TL Modules

Series 2 UEP Modular Torque Limiters	2-3
Bibbigard® Torque Limiting Modules	4-5

Standard Disc Spring Torque Limiters

6-7



Standard Disc Spring Torque Limiters

Type A	8-9
Type B	10-11
Type C	12-13
Type D	14-15

Mini Disc Spring Torque Limiters

Type E	16-17
Type F	18-19
Type G	20-21

Zero Backlash Torque Limiters

22-23



ZBC-NBC Zero Backlash Torque Limiters

Type H	24-25
Type J	26-27
Type K	28-29
Type L	30-31
Type M	32-33
Type N	34-35
Type P	36-37
Type R	38-39
Type T	40-41



Bibbigard®

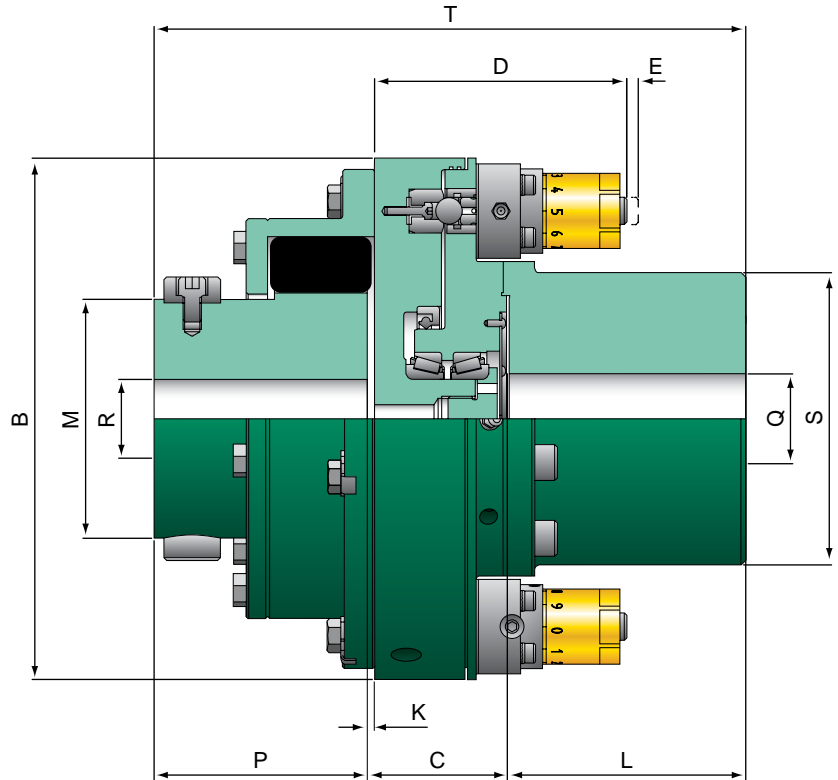
Bibbigard® Torque Limiters	42
Bibbigard® Torque Limiter Selection Guide	43
Bibbigard® Type AB & AB/BM	44
Bibbigard® Type AR & AF	45
Bibbigard® Type AS	46
Bibbigard® Type B	47
Bibbigard® Type BS & BF	48
Bibbigard® Type CB	49
Bibbigard® Type CS & CP	50
Bibbigard® Type CR & CF	51

UEP Modular Torque Limiters

Series 2

Bibby Turboflex's extensive experience developed the Ultimate Extruder Protection device affording reliable protection for twin screw extruders.

Based on over 30 years experience in arduous applications particularly in the steel industry has led to the development of the Bibby Modular Torque Limiter which has become the industry standard for twin screw extruder machines.



UEP Ratings and Dimensions

Model Number	234A	237A	238A	238B	239B	300C
Maximum Preset Torque Nm	1480	3046	3577	6688	8786	14280
Minimum Preset Torque Nm	148	493	579	1122	1420	2310
Maximum Speed RPM	3000	2800	2800	2500	2500	2200
Coupling Size	0.2RB	0.37RB	0.73RB	0.73RB	1.15RB	2.15RB
Module Size	SE5	SE10	SE10	SE10	SE10	SE10
Quantity of Modules	2	2	2	4	4	6
Dimensions (mm)						
Outside Diameter - B	232	278	317	320	378	467
Distance Between Hub Faces - C	62.3	83.5	83.5	96.7	96.7	111.5
D	112	134	133	138	138	136
E	3	4	4	4	4	4
Overall Length - T	264	325	350	363	407	441
Rigid Hub						
Boss Diameter - S	130	165	165	190	234	234
Hub Length - L	106	121	121	121	140	140
Maximum Bore - Q	90	115	115	135	165	165
Minimum Bore	32	40	40	50	55	55
Flex Coupling						
Gap - K	3.2	3.2	3.2	3.2	3.2	4.8
Boss Diameter - M	106.4	128.6	152.4	152.4	179.4	219
Hub Length - P	95	120	145	145	170	190
Maximum Bore - R	70	85	95	95	115	140
Minimum Bore	35	40	55	55	55	70
Mass Kg	39	70	90	106	163	231
Assembly Inertia KgM ²	0.19	0.48	0.82	0.98	2.02	3.85

Front cover photo courtesy of Coperion GmbH

UEP Modular Torque Limiters

Externally Adjusted Modules

Features & Benefits

- Accurate release torque repeatability
- Simple fast manual re-engagement
- Low-cost maintenance
- The preferred protection for many extruder manufacturers

Very accurate release torque repeatability with minimal variation between static and dynamic release. Versatile installation allows for the torque limiter centre section to be removed without the need to move the motor or gearbox.

Individual modules are preset to provide the required release torque. Any maintenance of the modules is a straightforward operation. A simple removal operation allows for module recalibration without having to replace the complete unit. Holding spare modules in stock already preset to the required release torque keeps downtime to an absolute minimum.

Manual reset of the torque limiter can only be carried out when the drive is at rest. Resetting is achieved by realigning the two halves of the unit and then lightly tapping each module fitted with a soft mallet.

Lubrication of the unit is via easy access grease nipples. Proximity sensor targets are included to provide the means to switch off the drive after an overload occurs.

While each torque limiter assembly is normally factory preset, if required site adjustments can be carried out, a setting chart with instructions is provided for this purpose. Please note a security key is required and adjustment should only be carried out by an authorized person.

Normal Operation

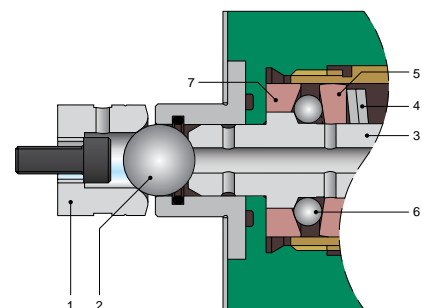
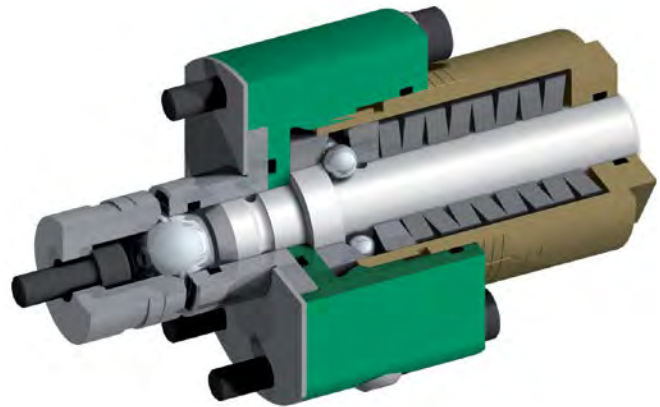
The flange connection is driven by a large steel ball (2), located in the detent pocket (1), which is retained by a plunger (3). This in turn is retained axially by means of a system of angled races (5,7) biased by pressure from the Belleville springs (4), acting on a circle of balls (6).

Disengagement

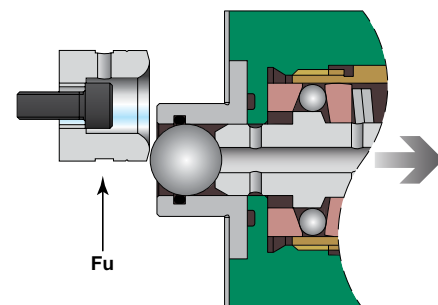
On overload, relative angular movement between the flanges imparts a tangential force (F_u) on the large steel ball, forcing it clear of the detent pocket back against the plunger. This in turn causes the plunger to be forced through the circle of balls overcoming the spring loading on the angle races. In this position, the balls are resting on the large diameter of the plunger, and once this condition is reached the flanges are completely free to rotate independently. A suitable switch can be incorporated in the assembly to switch off the drive motor or operate a warning device when the Torque Limiting assembly disengages.

After first ensuring that the drive is isolated, resetting is a simple matter of first realigning the flanges and then tapping each module plunger back with a soft mallet to allow the circle of balls to return to their original position and the large steel ball to return to its location in the detent pocket.

UEP Torque Limiters are not classed as machines by the 98/37/EU Directive and 2006/42/EU Machinery Directive. All installations must conform to industry standards.



Engaged



Disengaged

Bibbigard® Torque Limiting Modules

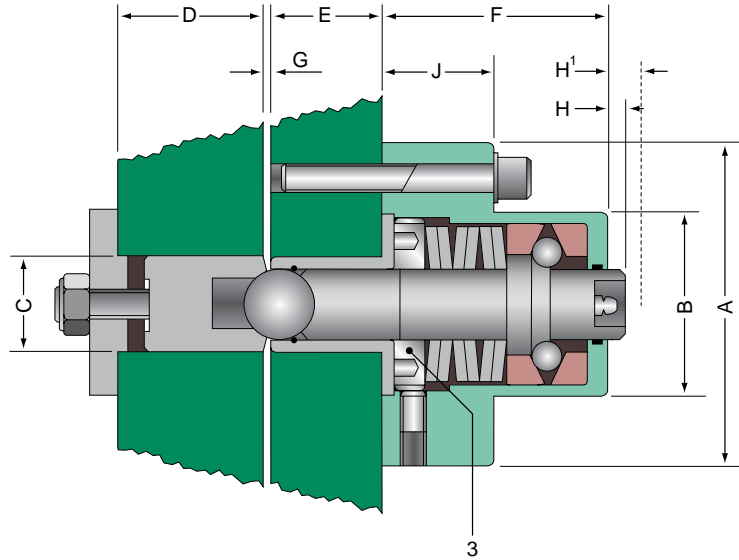
Bibbigard® Internally Adjusted Modules

Adjustment

Adjustment of the tangential force (F_u), can be made by removing the unit from the mounting flange and adjusting the screw (3), so altering the spring force.

This procedure discourages tampering by unauthorised personnel.

Ensure that on assembly any clearance between the driving ball and the detent pocket is eliminated by tightening the adjusting screw located in the plate at the base of the detent pocket.



Model Number	Tangential Force F_u		Dimensions (mm)									
	lbf	N	A	B	C	D	E	F	G	H	H'	J
SE5BA	2,250	10,000	56	36	19.5	20	14	44	1.8	2.5	6	19
SE10BA	4,000	17,800	66	40	25	25	16	54.5	1.5	20	24	30
SE20BA	11,000	48,900	105	66	35	45	45	72	2	5	13	35
SE30BA	38,000	169,000	170	120	70	45	45	130	3	9	23	40
SE55BA	108,000	480,000	278	194	140	110	100	200	4	31	56	75

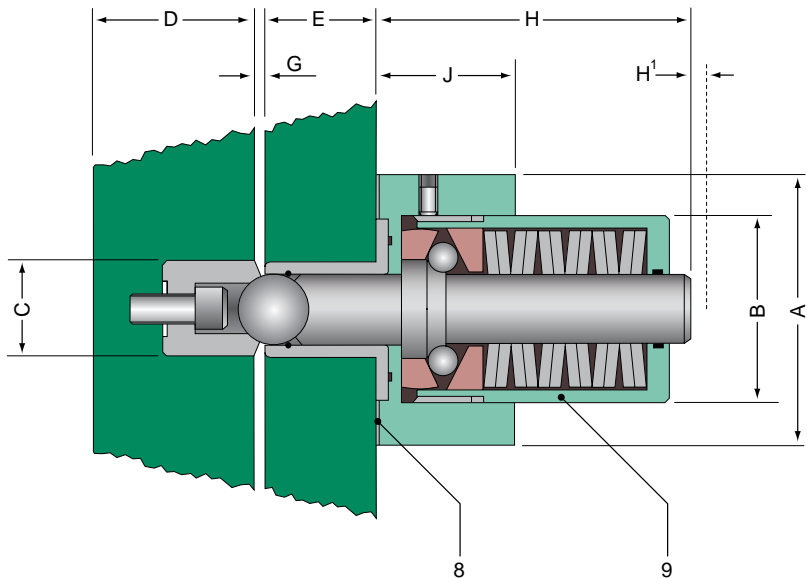
Note internal specifications may vary between sizes

Bibbigard® Externally Adjusted Modules

Adjustment

Adjustment of the tangential force (F_u), can be made by adjusting the spring housing (9), so altering the spring force.

Ensure that on assembly any clearance between the driving ball and detent pocket is eliminated by adjusting the quantity of shims (8) under the clamp face of the module.



Model Number	Tangential Force F_u		Dimensions (mm)									
	lbf	N	A	B	C	D	E	F	G	H	H'	J
SE5EA	2,250	10,000	56	50	19.5	15	14	—	1.5	67	3.5	20
SE10EA	4,000	17,000	66	50	24.5	20	16	—	2.5	77	4	37
SE20EA	5,900	26,000	105	69	35	35	45	—	2.5	107	8	15
SE25EA	10,000	45,000	105	74	35	35	45	—	2.5	115	8	10

Note internal specifications may vary between sizes

Bibbigard® Torque Limiting Modules

Bibby Turboflex Torque Limiting Modules have been specifically designed to provide overload protection for applications where very high torques are transmitted, and to extend the range of manual reset Bibbigard Torque Limiters.

The modular system provides the capability for virtually unlimited torque capacity and lends itself to many transmission applications – chain, belt and gear drives, or shaft-to-shaft gear or flexible coupling drives.

The maximum release torque depends on the number and size of Torque Limiting Modules that can be incorporated, and the size of the unit that can be accommodated within the confines of the installation. Internally and externally adjusted modules provide repeatability better than 5%, however externally adjusted modules are preferred when the application is required to operate with minimal variation between static and dynamic disengagement.

Construction

The Bibbigard Torque Limiting Module is constructed from the finest quality materials. Many of the vital components are made from high quality tool steels, through hardened to Rockwell C62, and precision ground to close tolerances.

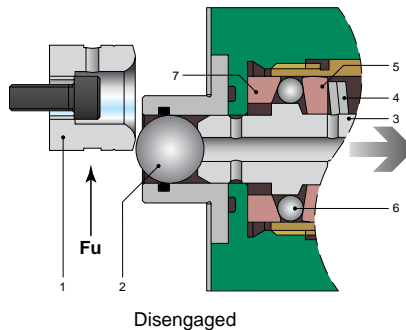
Normal Operation

The flange connection is driven by a large steel ball (2), located in the detent

pocket (1), which is retained by a plunger (3). This in turn is retained axially by means of a system of angled races (5,7) biased by pressure from the Belleville springs (4), acting on a circle of balls (6).

Disengagement

On overload, relative angular movement between the flanges imparts a tangential force (F_u) on the large steel ball, forcing it clear of the detent pocket back against the plunger. This in turn causes the plunger to be forced through the circle of balls overcoming the spring loading on the angle races. In this position, the balls are resting on the large diameter of the plunger, and



once this condition is reached the flanges are completely free to rotate independently.

A suitable switch can be incorporated in the assembly to switch off the drive motor or operate a warning device when the Torque Limiting assembly disengages.

After first ensuring that the drive is isolated, resetting is a simple matter of first realigning the flanges and then tapping each module plunger back with a soft mallet to allow the circle of balls to return to their original position and the large steel ball to return to its location in the detent pocket.

Detent Pockets

Internally and externally adjusted modules can be through-hole or blind-hole detent fixing (see diagrams on opposite page). The type of detent fixing is dependent upon the design constraints.

The mechanical clearance in the Module assembly should be eliminated by pre-loading the detent pocket (1) against the driving ball (2). This is achieved for the respective type of detent pocket under Adjustment (on the opposite page).

Selection

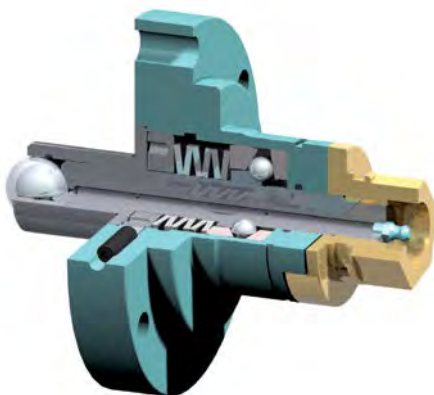
To apply the modules in the form of a torque limiter it is necessary to determine the quantity of modules needed for the required torque capacity at a specific radius from the axis of rotation.

$$\text{No. of modules} = \frac{\text{Torque (Nm)} \times 1000}{F_u \text{ (N)} \times \text{radius (mm)} \times K}$$

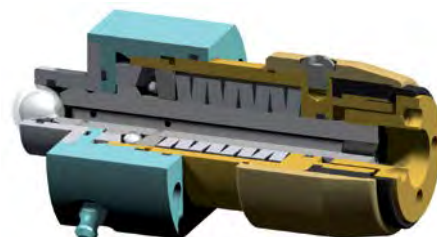
$K = 0.65$ for General Applications

$K = 0.5$ for Steelwork Applications

Special Designs



Internally Adjusted Cam Disconnect Module



Externally Adjusted Manual Disconnect Tamper Proof Module

Disc Spring Torque Limiters

Heavy Duty ZBC & NBC

Standard Mini



General Selection

Type	Available Functions						Torque Range Nm	Ø mm		Available Forms	Max Speed	Torque Accuracy	Service Life	Moment of Inertia	Surface Plating	Available Stop Switch	Catalog Page
	Zero Backlash	Quick Guard	Synchronous	Continuous	Free Running	Remotely Adjust		Bore + Keyway	Clamping Element								
	①	②	③	④	⑤												
ZBC	X	X	X				3-740	8-50	10-60	H, J, K, L, M, N, P, R, T	High	High	High	Low	Phosphatation, Chemical Nickel upon request	A, B, C	
NBC	X	X	X			.65-440	6 - 45	6 - 50	H, J, K, L	High							
Standard		X	X	X	X	2.5-8200	7 - 110*		A, B, C, D					Medium			
Mini		X	X			2.5-450	7 - 45		E, F, G	See available functions						D	
ZBC Pneumatic	X	X	X		X	X	4-530	8 - 55*	Upon request	V, W	Very high					Low	A, B, C
Secorex							5-10000	5-120		T, C	Low	Low	Low	Medium	Zinc plating		

* d max with keyway seat according to DIN 6885/3

① Angular Backlash between input and output close to zero.

② Re-engage automatically in a random angular position when the overload is removed. For Medium-High Speed. Quick Guard R for high torque - low speed.

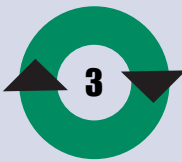
③ Synchronous Re-engage automatically after 360° in the same angular position every time. For medium speed.

④ Continuous In case of overload the switch give a signal without interruption of the torque transmission. For very high speed.

⑤ Free Running In case of overload input and output are disconnected and output runs to idle. For very high speeds. Manual re-engagement.

Standard Disc Spring Torque Limiters

Selection Icons



- Very low backlash
- low moment of inertia
- Minimised dimensions & weight
- Reduced wear for longer lifetime
- ZBC for heavy duty
- NBC fo light duty



Quick Guard

1. Disengages at pre-set torque
2. Automatically re-engages as load reduces – 15 degrees of rotation



Synchronous

1. Re-engages after 360 degrees



Continuous

1. Drive does not fully disengage to ensure torque transmission is not interrupted
2. Micro-switch is activated
3. Manual/electronic re-set required



Free Running

1. Drive fully disengages
2. Manual reset required to re-engage drive

During normal running torque is continuously transmitted from the hub to the flange through balls or rollers held in indentations in matching halves of a carrier flange by disc springs. As the torque exceeds a pre-set limit the balls or rollers are forced out of their indentations, allowing the flange sections to rotate separately. At this point the torque being transmitted is negligible and a limit switch is activated to signal emergency stop of the motor. In Quick Guard versions re-engagement is automatic as soon as the torque has fallen below the pre-set value. Synchronous versions also re-engage automatically but after one full revolution has been completed. In the Continuous version, the rollers are prevented from fully disengaging and a switch is activated to signal motor stop. The Free Running version also disengages the drive at a pre-set torque value but must be manually re-set to re-engage the drive.

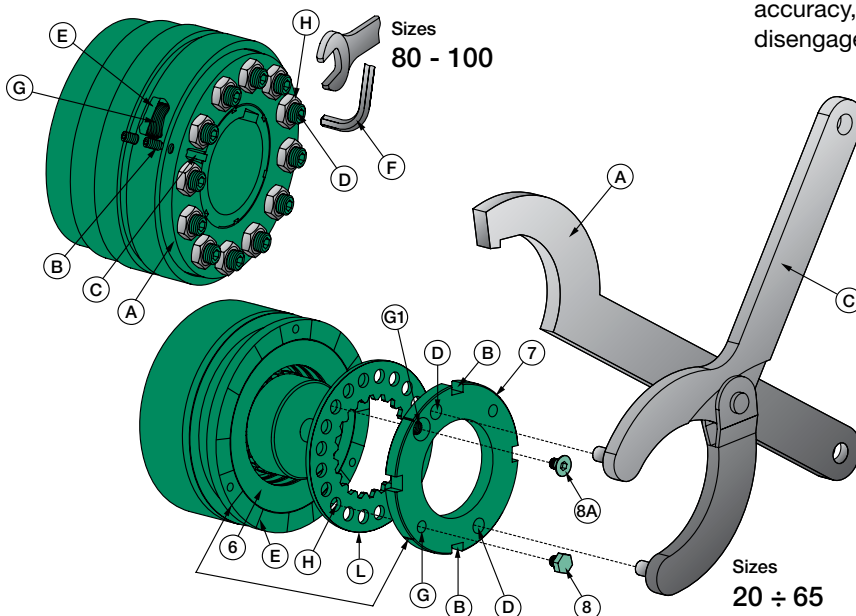
Torque Adjustment

Sizes 20 ÷ 65

Manually tighten the nut (7) until contacts the disc springs (6). Insert wrench (A) in to the seats (B) or the wrench (C) in to the holes (D) and tighten the nut clockwise for the number of indents (E) corresponding to the request disengagement torque (according with the torque diagram supplied together with the torque limiter). Tighten the screw (8) or (8A) in the threaded hole (G) or (G1) of the nut (7) in correspondence with one of the holes (H) on the locking washer (L).

Sizes 80 ÷ 100

Manually turn the nut (A) up to the end of the stroke, then go back anticlockwise until the 3+3 locking screws (B), are aligned to 3 of the 6 splines (C) on the hub. Tighten the 3+3 locking screws (B), to positively secure the nut (A) to the hub. Manually tighten the adjusting screws (D) until they contact the mobile element (E). Insert the wrench (F) and uniformly tighten the adjusting screws (D) at the same level for the number of revolutions corresponding to the requested disengagement torque, according to the torque diagram of the cup springs packs (G). Secure the adjusting screws (D) by means of the lock-nuts (H). To guarantee the optimum accuracy, recheck the preset slip-torque after the first disengagements.



Torque Adjustment

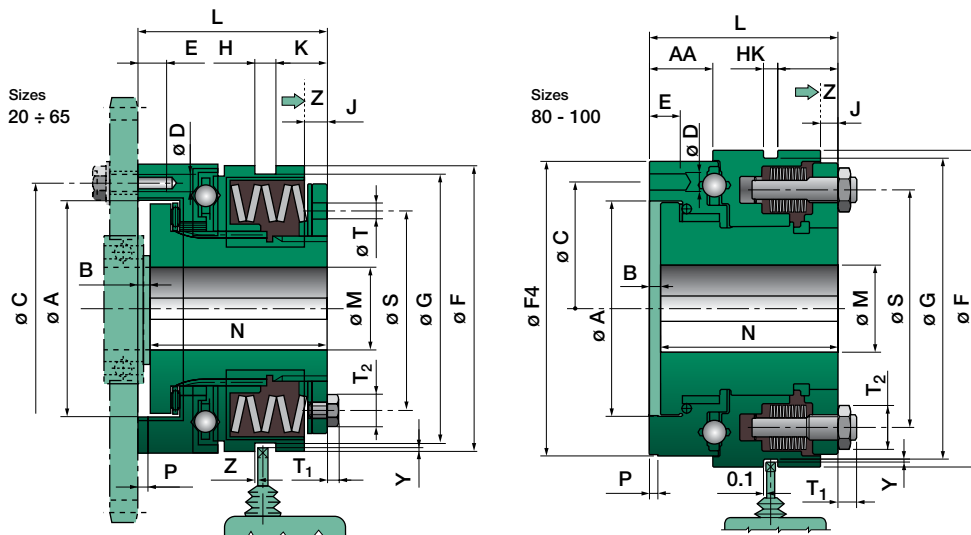
Stock availability c/w bore H7 and keyway Js9 - DIN 6885/1 (mm)						
Grand Size ø M ^{H7}	20	25	35	45	55	65
19	X	X				
20	X	X				
24		X				
25		X	X			
30			X			
35			X	X		
40				X		
45				X		
50					X	
55					X	
60						X
70*						X

* Keyway seat acc. to DIN 6885/3

Standard Disc Spring Torque Limiters – Type A

Basic Type

For connection shaft-drive component such as gear or pulley, supported on the shaft



Dimensions

Size	Overall Dimensions																						
	A	B	C	D	E	F	F ₁	G	H	K	J	L	M		N	P	S	T	T ₁	T ₂	Y	AA	
													Min	Max									
20	41	4	48	6xM5	6.5	55	—	50	9	7.5	3	38.5	7	20	34.5	3.1	38.5	5	3	7	2	—	—
25	60	4	70	6xM5	8	82	—	72.5	9	11.5	6	52	10	25	48	3.1	54	6	3.5	8	2	—	—
35	78	5	89	6xM6	10	100	—	90.5	9	12	5	61	14	35	56	3.6	70	6	4	10	2	—	—
45	90.5	5	105	6xM8	12	120	—	112	10	21	8.5	78	18	45	73	4.1	84	6	4	10	2	—	—
55	105	6.5	125	6xM10	15	146	—	140	9	27	11	100	24	55	93.5	4.1	108	7	5.5	13	2	—	—
65	120.5	6.5	155	6xM12	17	176	—	170	9	33	12	113.5	30	70*	107	4.6	129	10	5.5	13	2	—	—
80	136	7	160	6xM12	20	200	186	190	9	39 [Ⓐ]	14 [Ⓐ]	119 [Ⓐ]	40	80	112 [Ⓐ]	5.3	150	—	15	24	2	26	—
100	168	8	200	6xM16	25	240	231	230	9	46 [Ⓑ]	15 [Ⓑ]	141 [Ⓑ]	50	110*	133 [Ⓑ]	5.8	186	—	21	30	2	30	—

* Mmax with keyway seat according to DIN 6885/3

Ⓐ Quick Guard 55R-type D

Ⓑ Quick Guard 65LL, Synchronous 65L, Continuous 65L, Free Running 65L-type D

Ⓒ Quick Guard 65R-type D

Ⓓ Free Running 80: K = 53, J = 29, L = 134, N = 127

Ⓔ Free Running 100: K = 64, J = 33, L = 159, N = 151

How to order:

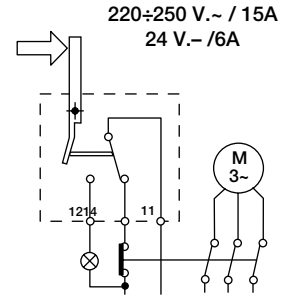
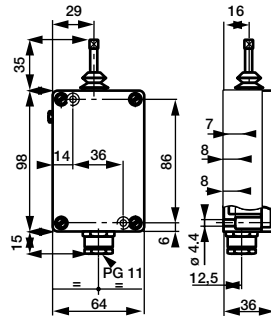
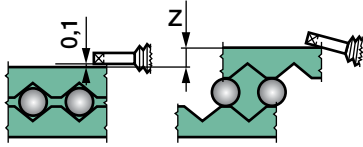
Standard Quick Guard Type D – Size 45 – Springs LL – Ø40 – Ø 45
Order Code: D45LL40B+K

Standard Synchronous Type A – Size 100 – Springs M– Ø90 —
Order Code: A100M90B+K

Standard Disc Spring Torque Limiters – Type A

Basic Type

EMERGENCY STOP SWITCH Type A



Arrangement Possibilities

Range	Size	Code	Size	Disc Springs		
				Arrangement		
				Standard A-B-C-D	Free Running A-B-C-D	
Quick Guard	20	S-Light	20/65	6 x 1s	2 x 1s	
			80	3 Packs		
			100	3 Packs		
Quick Guard R	25	M-Medium	20/65	5 x 1m	2 x 1m	
			80	6 Packs		
Synchronous	35	M-Medium	100	6 Packs		
			45	20	5 x 1m	2 x 1ℓ
Continuous*	55	L-Heavy	25/65	5 x 1ℓ	2 x 1ℓ	
			80	12 Packs		
Free Running*	65	LL-R-Heavy	100	12 Packs		
			80	20	4 x 1ℓ	
			80	25/65	3 x 2ℓ	
			100	12 Packs		

Emergency Stop Switch

Size	Z				
	(1) mm	(2) mm	(3) mm	(4) mm	(5) mm
20	1.4	1.2	0.6	1.6	—
25	2.3	1.8	0.8	2.3	—
35	2.4	2	1.1	3	—
45	2.7	2.2	1.2	3.5	—
55	3.7	2.5	1.2	3.8	2.5
65	4.6	3	1.6	4.5	3
80	5	3.5	2.5	—	3.5
100	5.5	4	2.7	—	4

(1) Quick Guard - (2) Synchronous - (3) Continuous - (4) Free Running - (5) Quick Guard-R

* Available only in the form A, B, C, D

A-basic type, B-with roller bearing flange, C-with extended hub, D-with elastic coupling, E-Mini basic type, F-for large transmissions, G-with elastic coupling

Technical Characteristics

Size	Disengagement Torque							Maximum Speed – Standard A-B-C-D						
	Quick Guard Nm				Synchronous-Continuous-Free Running Nm			Quick Guard n/1'	Synchronous n/1'	Continuous n/1'	Free Running n/1'			
	Springs Type							Springs Type						
	S	M	L	LL	S	M	L	S-M	L-LL	S-M	L	S-M	L	S-M-L
20	2.5-5	5-10	10-20	20-40	5-10	10-20	20-40	3300	1800	1000	500	4000	3000	—
25	6-12	12-25	25-55	55-100	12-25	25-50	50-100	2900	1450	950	450	3900	2900	5000
35	12-25	25-50	50-120	120-200	25-50	50-100	100-200	2400	1200	800	400	3300	2400	4000
45	25-50	50-100	100-250	200-450	50-100	100-200	200-450	2000	1000	650	300	2800	2000	3500
55	50-100	100-200	200-500	400-1000	100-200	200-400	400-800	1600	850	550	250	2300	1600	3000
55R*	—	—	—	800-2000	—	—	800-2000**	—	90	—	90	—	700	—
65	85-250	230-600	300-1000	600-2000	170-450	350-900	600-1800	1400	700	400	150	1800	1400	2300
65R*	—	—	—	1200-3400	—	—	1200-3400**	—	70	—	70	—	600	—
80	180-480	360-960	720-1950	1600-3300	300-750	600-1500	1200-3000	1200	600	150	80	1500	1000	1600
80R*	—	—	—	2900-5800	—	—	2900-5800**	—	40	—	40	—	400	—
100	250-520	500-1050	1000-2100	2000-3600	550-1100	1100-2200	2200-4400	950	480	100	50	1300	800	1400
100R*	—	—	—	3000-8200	—	—	3000-8200**	—	30	—	30	—	300	—

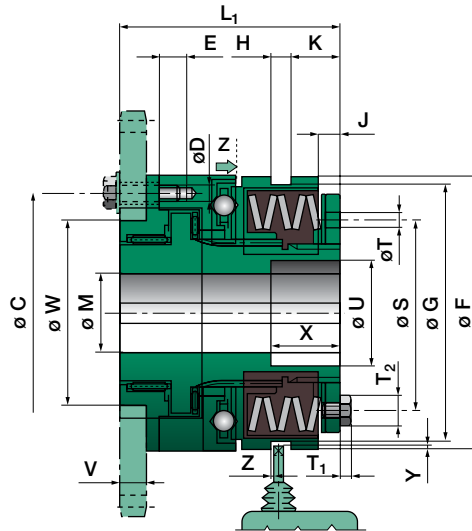
* The R type need screws quality 12.9 in the connection torque limiter-transmission

** Not available in the Free Running range

Standard Disc Spring Torque Limiters – Type B

with Roller Bearing Flange

With drive centering flange mounted on a roller bearing.
Ready for mounting.



Dimensions

Size	Overall Dimensions																			
	C	D	E	F	G	H	K	J	L ₁	M		S	T	T ₁	T ₂	U	V	W ^{h6}	X	Y
										Min	Max									
20	48	6xM5	6.5	55	50	9	7.5	3	51	7	20	38.5	5	3	7	21	8	38	15	2
25	70	6xM5	8	82	72.5	9	11.5	6	70	10	25	54	6	3.5	8	26	10	50	20	2
35	89	6xM6	10	100	90.5	9	12	5	78	14	35	70	6	4	10	36	12	60	25	2
45	105	6xM8	12	120	112	10	21	8.5	96	18	45	84	6	4	10	46	12	80	30	2
55	125	6xM10	15	146	140	9	27	11	124.5	24	55	108	7	5.5	13	56	16	100	30	2
65	155	6xM12	17	176	170	9	33	12	140	30	70*	129	10	5.5	13	66	18	120	30	2
80	160	6xM12	20	200	190	9	39 ^①	14 ^②	150 ^③	40	80	150	—	15	24	82	20	130	25 ^④	2
100	200	6xM16	25	240	230	9	46 ^⑤	15 ^⑤	175 ^⑤	50	110*	186	—	21	30	111	25	160	35 ^⑤	2

* Mmax with keyway seat according to DIN 6885/3

① Quick Guard 55R-type D

② Quick Guard 65LL, Synchronous 65L, Continuous 65L, Free Running 65L-type D

③ Quick Guard 65R-type D

④ Free Running 80: K = 53, J = 29, L₁ = 165, X = 40

⑤ Free Running 100: K = 64, J = 33, X = 53

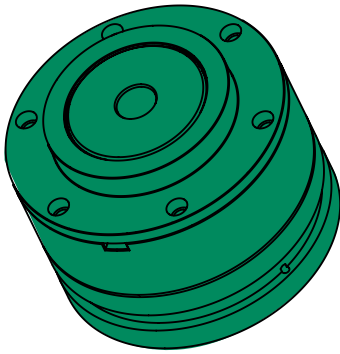
How to order:

Standard Quick Guard Type D – Size 45 – Springs LL – Ø40 – Ø 45
Order Code: D45LL40B+K

Standard Synchronous Type A – Size 100 – Springs M– Ø90 —
Order Code: A100M90B+K

Standard Disc Spring Torque Limiters – Type B

with Roller Bearing Flange



Arrangement Possibilities

Range	Size	Code	Size	Disc Springs			
				Arrangement			
				Standard A-B-C-D	Free Running A-B-C-D		
Quick Guard	20	S-Light	20/65	6 x 1s		2 x 1s	
			80	3 Packs		3 Packs	
			100	3 Packs		3 Packs	
Quick Guard R	25	M-Medium	20/65	5 x 1m		2 x 1m	
			80	6 Packs		6 Packs	
			100	6 Packs		6 Packs	
Synchronous	45	L-Heavy	20	5 x 1m		2 x 1ℓ	
			25/65	5 x 1ℓ			
			80	12 Packs			
Continuous*	55	LL-R-Heavy	20	4 x 1ℓ		12 Packs	12 Packs
			25/65	3 x 2ℓ			
			80	12 Packs			
Free Running*	65	LL-R-Heavy	20	4 x 1ℓ		12 Packs	12 Packs
			25/65	3 x 2ℓ			
			80	12 Packs			
	80		20	4 x 1ℓ		12 Packs	12 Packs
			25/65	3 x 2ℓ			
			80	12 Packs			
	100		20	4 x 1ℓ		12 Packs	12 Packs
			25/65	3 x 2ℓ			
			80	12 Packs			
	100		20	4 x 1ℓ		12 Packs	12 Packs
			25/65	3 x 2ℓ			
			80	12 Packs			

* Available only in the form A, B, C, D

A-basic type, B-with roller bearing flange, C-with extended hub, D-with elastic coupling, E-Mini basic type, F-for large transmissions, G-with elastic coupling

Technical Characteristics

Size	Disengagement Torque							Maximum Speed – Standard A-B-C-D						
	Quick Guard Nm				Synchronous-Continuous-Free Running Nm			Quick Guard n/1'		Synchronous n/1'		Continuous n/1'		Free Running n/1'
	Springs Type							Springs Type						
	S	M	L	LL	S	M	L	S-M	L-LL	S-M	L	S-M	L	S-M-L
20	2.5-5	5-10	10-20	20-40	5-10	10-20	20-40	3300	1800	1000	500	4000	3000	—
25	6-12	12-25	25-55	55-100	12-25	25-50	50-100	2900	1450	950	450	3900	2900	5000
35	12-25	25-50	50-120	120-200	25-50	50-100	100-200	2400	1200	800	400	3300	2400	4000
45	25-50	50-100	100-250	200-450	50-100	100-200	200-450	2000	1000	650	300	2800	2000	3500
55	50-100	100-200	200-500	400-1000	100-200	200-400	400-800	1600	850	550	250	2300	1600	3000
55R*	—	—	—	800-2000	—	—	800-2000**	—	90	—	90	—	700	—
65	85-250	230-600	300-1000	600-2000	170-450	350-900	600-1800	1400	700	400	150	1800	1400	2300
65R*	—	—	—	1200-3400	—	—	1200-3400**	—	70	—	70	—	600	—
80	180-480	360-960	720-1950	1600-3300	300-750	600-1500	1200-3000	1200	600	150	80	1500	1000	1600
80R*	—	—	—	2900-5800	—	—	2900-5800**	—	40	—	40	—	400	—
100	250-520	500-1050	1000-2100	2000-3600	550-1100	1100-2200	2200-4400	950	480	100	50	1300	800	1400
100R*	—	—	—	3000-8200	—	—	3000-8200**	—	30	—	30	—	300	—

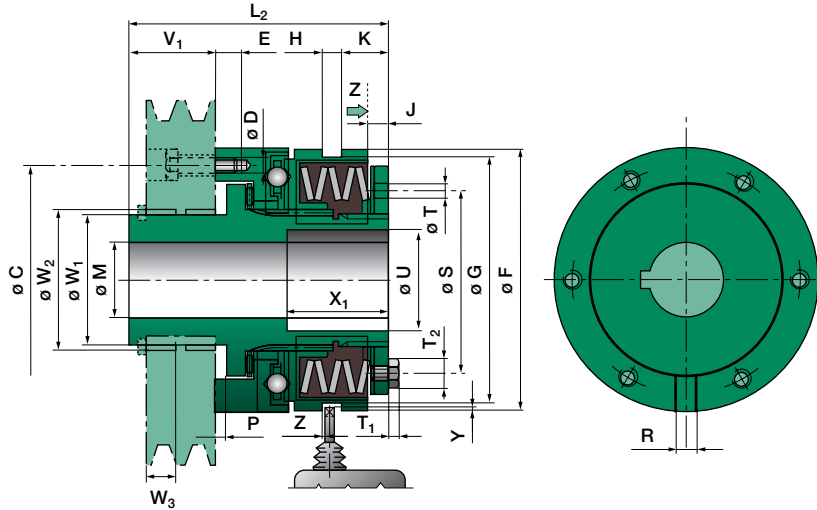
* The R type need screws quality 12.9 in the connection torque limiter-transmission

** Not available in the Free Running range

Standard Disc Spring Torque Limiters – Type C

with Extended Hubs

Bearing or bronze bushes can be mounted on it to support large drive components



Dimensions

Size	Overall Dimensions																								
	C	D	E	F	G	H	K	J	L ₂	M		N	P	R	S	T	T ₁	T ₂	U	V ₁	W ₁ [Ⓜ]	W ₂ [Ⓜ]	W ₃	X ₁	Y
										Min	Max														
20	48	6xM5	6.5	55	50	9	7.5	3	66	7	20	34.5	3.1	6	38.5	5	3	7	21	27.5	28	36	10	25.5	2
25	70	6xM5	8	82	72.5	9	11.5	6	85	10	25	48	3.1	6	54	6	3.5	8	26	33	38	45	14	35	2
35	89	6xM6	10	100	90.5	9	12	5	100	14	35	56	3.6	8	70	6	4	10	36	39	52	60	16	45	2
45	105	6xM8	12	120	112	10	21	8.5	125	18	45	73	4.1	10	84	6	4	10	46	47	65	72	21	59	2
55	125	6xM10	15	146	140	9	27	11	152.5	24	55	93.5	4.1	12	108	7	5.5	13	56	52.5	78	85	25	60	2
65	155	6xM12	17	176	170	9	33	12	171	30	70*	107	4.6	14	129	10	5.5	13	66	57.5	90	100	25	60	2
80	160	6xM12	20	200	190	9	39 [Ⓢ]	14 [Ⓢ]	183 [Ⓢ]	40	80	112 [Ⓢ]	5.3	16	150	—	15	24	82	64	108	—	—	55 [Ⓢ]	2
100	200	6xM16	25	240	230	9	46 [Ⓢ]	15 [Ⓢ]	213 [Ⓢ]	50	110*	133 [Ⓢ]	5.8	18	186	—	21	30	111	72	135	—	—	70 [Ⓢ]	2

* Mmax with keyway seat according to DIN 6885/3

① Quick Guard 55R-type D

② Quick Guard 65LL, Synchronous 65L, Continuous 65L, Free Running 65L-type D

③ Quick Guard 65R-type D

④ Free Running 80: K = 53, J = 29, L₂ = 198, N = 127, X₁ = 70

⑤ Free Running 100: K = 64, J = 33, L₂ = 231, N = 151, X₁ = 88

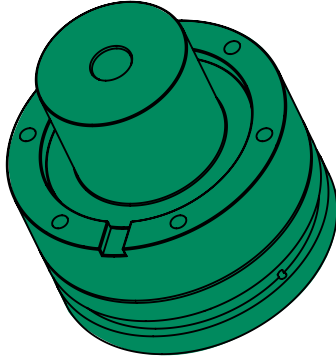
How to order:

Standard Quick Guard Type D – Size 45 – Springs LL – Ø40 – Ø 45
Order Code: D45LL40B+K

Standard Synchronous Type A – Size 100 – Springs M– Ø90 —
Order Code: A100M90B+K

Standard Disc Spring Torque Limiters – Type C

with Extended Hubs



Arrangement Possibilities

Range	Size	Disc Springs					
		Code	Size	Arrangement			
				Standard A-B-C-D	Free Running A-B-C-D		
Quick Guard	20	S-Light	20/65	6 x 1s		2 x 1s	
			80	3 Packs		3 Packs	
			100	3 Packs		3 Packs	
Quick Guard R	25	M-Medium	20/65	5 x 1m		2 x 1m	
			80	6 Packs		6 Packs	
			100	6 Packs		6 Packs	
Synchronous	45	L-Heavy	20	5 x 1m		2 x 1ℓ	
			25/65	5 x 1ℓ			
			80	12 Packs			
Continuous*	55	LL-R-Heavy	20	4 x 1ℓ		12 Packs	12 Packs
			25/65	3 x 2ℓ			
			80	12 Packs			
Free Running*	65	LL-R-Heavy	20	4 x 1ℓ		12 Packs	12 Packs
			25/65	3 x 2ℓ			
			80	12 Packs			
	80		20	4 x 1ℓ		12 Packs	12 Packs
			25/65	3 x 2ℓ			
			80	12 Packs			
	100		20	4 x 1ℓ		12 Packs	12 Packs
			25/65	3 x 2ℓ			
			80	12 Packs			

* Available only in the form A, B, C, D

A-basic type, B-with roller bearing flange, C-with extended hub, D-with elastic coupling, E-Mini basic type, F-for large transmissions, G-with elastic coupling

Technical Characteristics

Size	Disengagement Torque							Maximum Speed – Standard A-B-C-D						
	Quick Guard Nm				Synchronous-Continuous-Free Running Nm			Quick Guard n/1'		Synchronous n/1'		Continuous n/1'		Free Running n/1'
	Springs Type							Springs Type						
	S	M	L	LL	S	M	L	S-M	L-LL	S-M	L	S-M	L	S-M-L
20	2.5-5	5-10	10-20	20-40	5-10	10-20	20-40	3300	1800	1000	500	4000	3000	—
25	6-12	12-25	25-55	55-100	12-25	25-50	50-100	2900	1450	950	450	3900	2900	5000
35	12-25	25-50	50-120	120-200	25-50	50-100	100-200	2400	1200	800	400	3300	2400	4000
45	25-50	50-100	100-250	200-450	50-100	100-200	200-450	2000	1000	650	300	2800	2000	3500
55	50-100	100-200	200-500	400-1000	100-200	200-400	400-800	1600	850	550	250	2300	1600	3000
55R*	—	—	—	800-2000	—	—	800-2000**	—	90	—	90	—	700	—
65	85-250	230-600	300-1000	600-2000	170-450	350-900	600-1800	1400	700	400	150	1800	1400	2300
65R*	—	—	—	1200-3400	—	—	1200-3400**	—	70	—	70	—	600	—
80	180-480	360-960	720-1950	1600-3300	300-750	600-1500	1200-3000	1200	600	150	80	1500	1000	1600
80R*	—	—	—	2900-5800	—	—	2900-5800**	—	40	—	40	—	400	—
100	250-520	500-1050	1000-2100	2000-3600	550-1100	1100-2200	2200-4400	950	480	100	50	1300	800	1400
100R*	—	—	—	3000-8200	—	—	3000-8200**	—	30	—	30	—	300	—

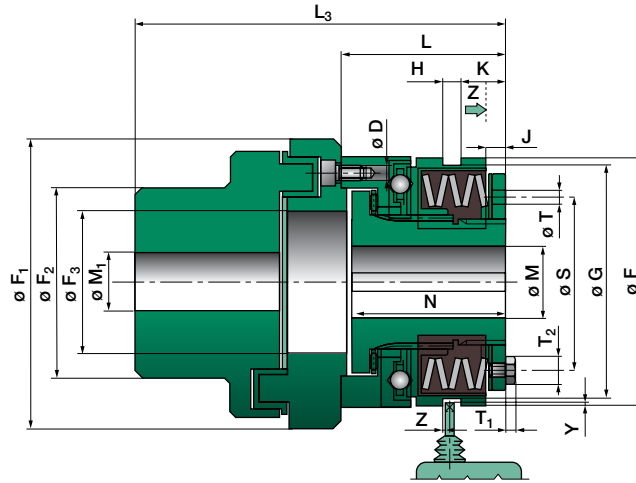
* The R type need screws quality 12.9 in the connection torque limiter-transmission

** Not available in the Free Running range

Standard Disc Spring Limiters – Type D

with Elastic Coupling

For connecting two coaxial shafts



Dimensions

Size	Overall Dimensions																			
	D	F	F ₁	F ₂	F ₃	G	H	K	J	L	L ₃	M		M ₁ Max	N	S	T	T ₁	T ₂	Y
												Min	Max							
20	6xM5	55	67	46	33	50	9	7.5	3	38.5	86	7	20	30	34.5	38.5	5	3	7	2
25	6xM5	82	112	79	50	72.5	9	11.5	6	52	137.5	10	25	50	48	54	6	3.5	8	2
35	6xM6	100	112	79	60	90.5	9	12	5	61	147	14	35	50	56	70	6	4	10	2
45	6xM8	120	128	90	70	112	10	21	8.5	78	176.5	18	45	60	73	84	6	4	10	2
55	6xM10	146	148 ^①	90 ^①	70 ^①	140	9	27	11	100	211.5 ^①	24	55	60 ^①	93.5	108	7	5.5	13	2
65	6xM12	176	177 ^{2②}	107 ^{2②}	90 ^{2②}	170	9	33	12	113.5	242.5 ^{2②}	30	70*	70 ^{2②}	107	129	10	5.5	13	2
80	6xM12	200	225	180	113	190	9	39 ^③	14 ^③	119 ^③	299.5 ^③	40	80	115	112 ^③	150	—	15	24	2
100	6xM16	240	255	200	127	230	9	46 ^④	15 ^④	141 ^④	339 ^④	50	110*	125	133 ^④	186	—	21	30	2

* Mmax with keyway seat according to DIN 6885/3

① Quick Guard 55R-type D: M1max = 90, F1 = 198, F2 = 140, F3 = 90, L3 = 257

② Quick Guard 65LL, Synchronous 65L, Continuous 65L, Free Running 65L-type D: M1max = 90, F1 = 198, F2 = 140, F3 = 90, L3 = 272

③ Quick Guard 65R-type D: M1max = 115, F1 = 225, F2 = 180, F3 = 113, L3 = 312

④ Free Running 80: K = 53, J = 29, L = 134, L3 = 314.5, N = 127

⑤ Free Running 100: K = 64, J = 33, L = 159, L3 = 357, N = 151

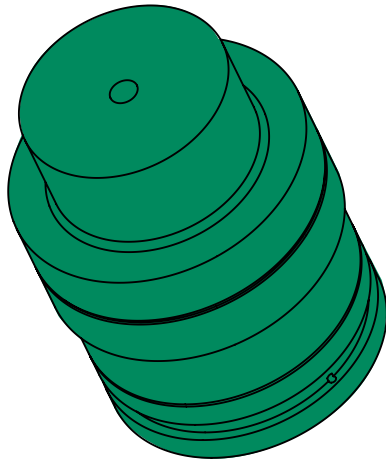
How to order:

Standard Quick Guard Type D – Size 45 – Springs LL – Ø40 – Ø 45
Order Code: D45LL40B+K

Standard Synchronous Type A – Size 100 – Springs M– Ø90 —
Order Code: A100M90B+K

Standard Disc Spring Limiters – Type D

with Elastic Coupling



Arrangement Possibilities

Range	Size	Disc Springs						
		Code	Size	Arrangement				
				Standard A-B-C-D	Free Running A-B-C-D			
Quick Guard	20	S-Light	20/65	6 x 1s		2 x 1s		
			80	3 Packs		3 Packs		
			100	3 Packs		3 Packs		
Quick Guard R	25	M-Medium	20/65	5 x 1m		2 x 1m		
			80	6 Packs		6 Packs		
Synchronous	35	M-Medium	80	6 Packs		6 Packs		
			100	6 Packs		6 Packs		
Continuous*	45	L-Heavy	20	5 x 1m		2 x 1ℓ		
			25/65	5 x 1ℓ				
Free Running*	55	L-Heavy	80	12 Packs		12 Packs		
			65	12 Packs		12 Packs		
			80	20	4 x 1ℓ			
				25/65	3 x 2ℓ			
100	LL-R-Heavy	80	12 Packs		12 Packs			
		100	12 Packs		12 Packs			

* Available only in the form A, B, C, D

A-basic type, B-with roller bearing flange, C-with extended hub, D-with elastic coupling, E-Mini basic type, F-for large transmissions, G-with elastic coupling

Technical Characteristics

Size	Disengagement Torque							Maximum Speed – Standard A-B-C-D						
	Quick Guard Nm				Synchronous-Continuous-Free Running Nm			Quick Guard n/1'		Synchronous n/1'		Continuous n/1'		Free Running n/1'
	Springs Type							Springs Type						
	S	M	L	LL	S	M	L	S-M	L-LL	S-M	L	S-M	L	S-M-L
20	2.5-5	5-10	10-20	20-40	5-10	10-20	20-40	3300	1800	1000	500	4000	3000	—
25	6-12	12-25	25-55	55-100	12-25	25-50	50-100	2900	1450	950	450	3900	2900	5000
35	12-25	25-50	50-120	120-200	25-50	50-100	100-200	2400	1200	800	400	3300	2400	4000
45	25-50	50-100	100-250	200-450	50-100	100-200	200-450	2000	1000	650	300	2800	2000	3500
55	50-100	100-200	200-500	400-1000	100-200	200-400	400-800	1600	850	550	250	2300	1600	3000
55R*	—	—	—	800-2000	—	—	800-2000**	—	90	—	90	—	700	—
65	85-250	230-600	300-1000	600-2000	170-450	350-900	600-1800	1400	700	400	150	1800	1400	2300
65R*	—	—	—	1200-3400	—	—	1200-3400**	—	70	—	70	—	600	—
80	180-480	360-960	720-1950	1600-3300	300-750	600-1500	1200-3000	1200	600	150	80	1500	1000	1600
80R*	—	—	—	2900-5800	—	—	2900-5800**	—	40	—	40	—	400	—
100	250-520	500-1050	1000-2100	2000-3600	550-1100	1100-2200	2200-4400	950	480	100	50	1300	800	1400
100R*	—	—	—	3000-8200	—	—	3000-8200**	—	30	—	30	—	300	—

* The R type need screws quality 12.9 in the connection torque limiter-transmission

** Not available in the Free Running range

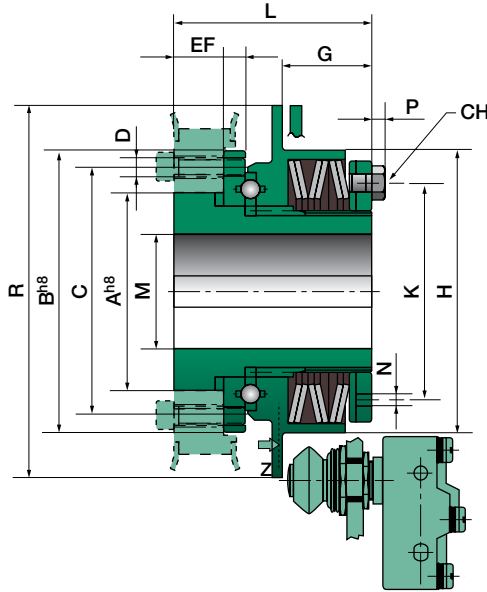
Mini Disc Spring Torque Limiters – Type E

Basic Type Mini

For connection shaft-drive component such as gear or pulley, supported on the shaft



For maximum speed 900 rpm, low radial forces. Axial forces are not admitted. For frequent interventions a bushing should be mounted.



Dimensions

Size	Overall Dimensions															
	A ^{1/8}	B ^{1/8}	C	D	E	F	G	H	K	L	M		N	P	R	CH
											Min	Max				
20	36	55	46	6xM5	11.5	5.5	21.7	50.5	38.5	50	7	20	5	2.8	80	7
25	46	70	59	6xM5	16.5	7	23.2	70.5	54	57	10	25	6	3.5	100	8
35	64	90	80	6xM6	16.5	7	29	88	70	65	14	35	6	4	120	10
45	78	115	100	6xM6	22	8	34.5	110	84	81	18	45	6	4	150	10

Technical Characteristics

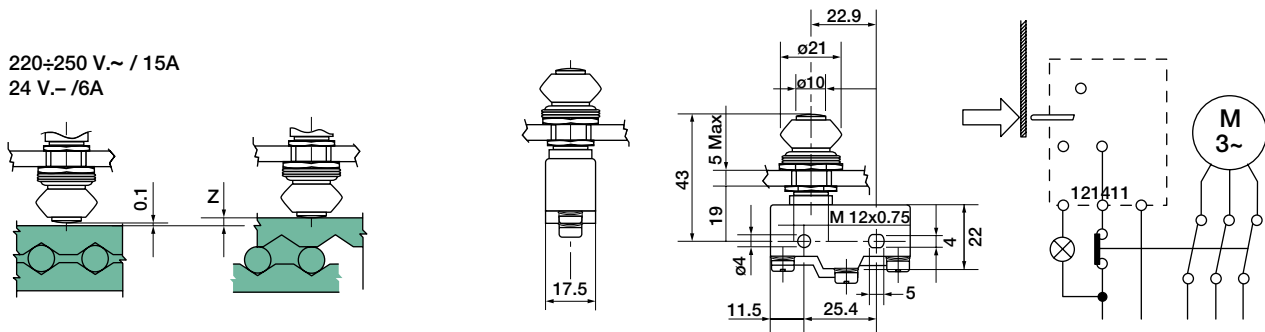
Size	Disengagement Torque							Maximum Speed – Mini E-F-G			
	Quick Guard Nm			Synchronous-Continuous-Free Running Nm				Quick Guard n/1'		Synchronous n/1'	
	Springs Type							Springs Type			
	S	M	L	LL	S	M	L	S-M	L-LL	S-M	L
20	2.5-5	5-10	10-20	20-40	5-10	10-20	20-40	800	800	700	500
25	6-12	12-25	25-55	55-100	12-25	25-50	50-100	800	700	700	450
35	12-25	25-50	50-120	120-200	25-50	50-100	100-200	800	600	700	400
45	25-50	50-100	100-250	200-450	50-100	100-200	200-450	800	500	650	300

* The R type need screws quality 12.9 in the connection torque limiter-transmission

** Not available in the Free Running range

Mini Disc Spring Torque Limiters – Type E

Basic Type Mini



Arrangement Possibilities

Range	Size	Disc Springs			
		Code	Size	Arrangement	
				Mini E-F-G	
Quick Guard	20	S-Light	20/65	5 x 1s	
			80		
			100		
Quick Guard R	20	M-Medium	20/65	3 x 1m	
			80		
			100		
Synchronous	25	L-Heavy	20	3 x 1m	
	35		25/65	3 x 1l	
Continuous*	45	LL-R-Heavy	80		
			100		
Free Running*	45	LL-R-Heavy	20	3 x 1l	
			25/65	3 x 2l	
			80		
			100		

* Available only in the form A, B, C, D

A-basic type, B-with roller bearing flange, C-with extended hub, D-with elastic coupling, E-Mini basic type, F-for large transmissions, G-with elastic coupling

Emergency Stop Switch

Size	Z	
	(1) mm	(2) mm
20	1.4	1.2
25	1.4	1.2
35	2.4	1.8
45	2.4	2

(1) Quick Guard Mini
(2) Synchronous Mini

How to order:

Standard Quick Guard Type D – Size 45 – Springs LL – Ø40 – Ø 45
Order Code: D45LL40B+K

Standard Synchronous Type A – Size 100 – Springs M– Ø90 —
Order Code: A100M90B+K

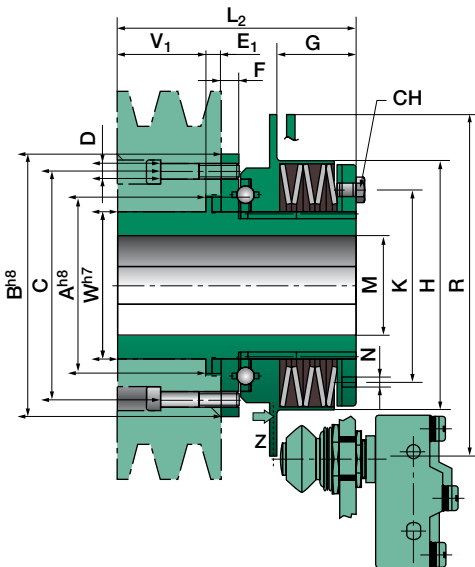
Mini Disc Spring Torque Limiters – Type F

Mini with Extended Hub

For connection shaft-drive component such as gear or pulley, supported on the shaft



For maximum speed 900 rpm, low radial forces. Axial forces are not admitted. For frequent interventions a bushing should be mounted.



Dimensions

Size	Overall Dimensions																
	A ^{h8}	B ^{h8}	C	D	E ₁	F	G	H	K	L ₂	M		N	R	V ₁	W ^{h7}	CH
											Min	Max					
20	36	55	46	6xM5	4.5	5.5	21.7	50.5	38.5	83.5	7	20	5	80	40.5	30	7
25	46	70	59	6xM5	5.5	7	23.2	70.5	54	94	10	25	6	100	48	35	8
35	64	90	80	6xM6	6.5	7	29	88	70	108	14	35	6	120	53	50	10
45	78	115	100	6xM6	8	8	34.5	110	84	127	18	45	6	150	60	65	10

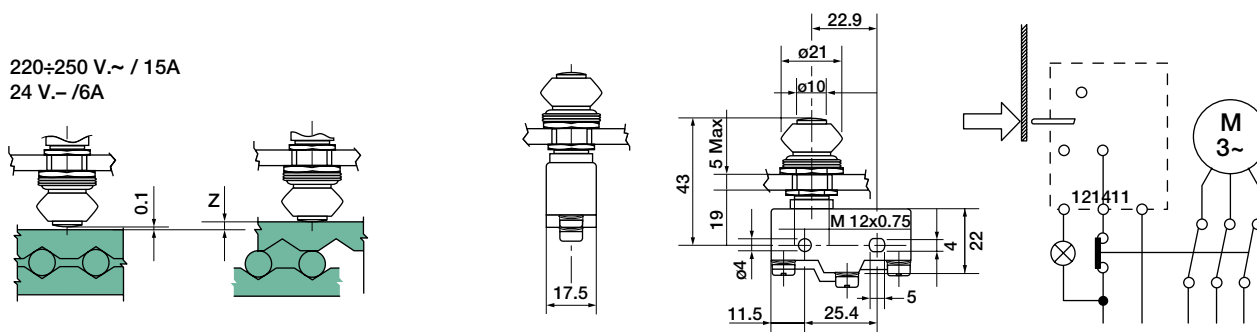
Technical Characteristics

Size	Disengagement Torque							Maximum Speed – Mini E-F-G			
	Quick Guard Nm			Synchronous-Continuous-Free Running Nm				Quick Guard n/1'		Synchronous n/1'	
	Springs Type							Springs Type			
	S	M	L	LL	S	M	L	S-M	L-LL	S-M	L
20	2.5-5	5-10	10-20	20-40	5-10	10-20	20-40	800	800	700	500
25	6-12	12-25	25-55	55-100	12-25	25-50	50-100	800	700	700	450
35	12-25	25-50	50-120	120-200	25-50	50-100	100-200	800	600	700	400
45	25-50	50-100	100-250	200-450	50-100	100-200	200-450	800	500	650	300

* The R type need screws quality 12.9 in the connection torque limiter-transmission
 ** Not available in the Free Running range

Mini Disc Spring Torque Limiters – Type F

Mini with Extended Hub



220÷250 V.~ / 15A
24 V.- /6A

Arrangement Possibilities

Range	Size	Disc Springs			
		Code	Size	Arrangement	
				Mini E-F-G	
Quick Guard	20	S-Light	20/65	5 x 1s	
			80		
			100		
Quick Guard R	20	M-Medium	20/65	3 x 1m	
			80		
			100		
Synchronous	25	L-Heavy	20	3 x 1m	
	35		25/65	3 x 1l	
Continuous*	45	LL-R-Heavy	80		
			100		
Free Running*	45	LL-R-Heavy	20	3 x 1l	
			25/65	3 x 2l	
			80		
			100		

* Available only in the form A, B, C, D

A-basic type, B-with roller bearing flange, C-with extended hub, D-with elastic coupling,
E-Mini basic type, F-for large transmissions, G-with elastic coupling

Emergency Stop Switch

Size	Z	
	(1) mm	(2) mm
20	1.4	1.2
25	1.4	1.2
35	2.4	1.8
45	2.4	2

(1) Quick Guard Mini
(2) Synchronous Mini

How to order:

Standard Quick Guard Type D – Size 45 – Springs LL – Ø40 – Ø 45
Order Code: D45LL40B+K

Standard Synchronous Type A – Size 100 – Springs M– Ø90 —
Order Code: A100M90B+K

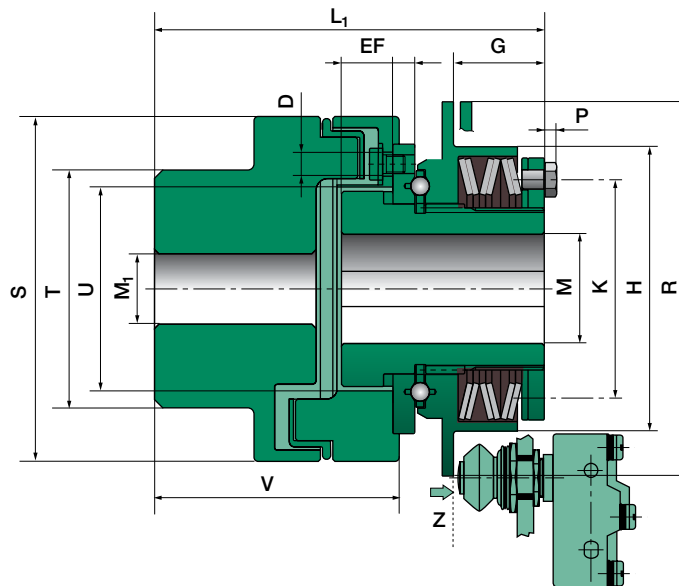
Mini Disc Spring Torque Limiters – Type G

Mini with Elastic Coupling

For connecting two coaxial shafts



For maximum speed 900 rpm, low radial forces. Axial forces are not admitted. For frequent interventions a bushing should be mounted.



Dimensions

Size	Overall Dimensions															
	D	E	F	G	H	K	L ₁	M		M ₁ Max	P	R	S	T	U	V
								Min	Max							
20	6xM5	11.5	5.5	21.7	50.5	38.5	84.5	7	20	30	2.8	80	67	46	37	47.5
25	6xM5	16.5	7	23.2	70.5	54	98	10	25	35	3.5	100	82	53	48	59
35	6xM6	16.5	7	29	88	70	132	14	35	50	4	120	112	79	66	85.5
45	6xM6	22	8	34.5	110	84	155.5	18	45	60	4	150	128	90	79	98.5

Technical Characteristics

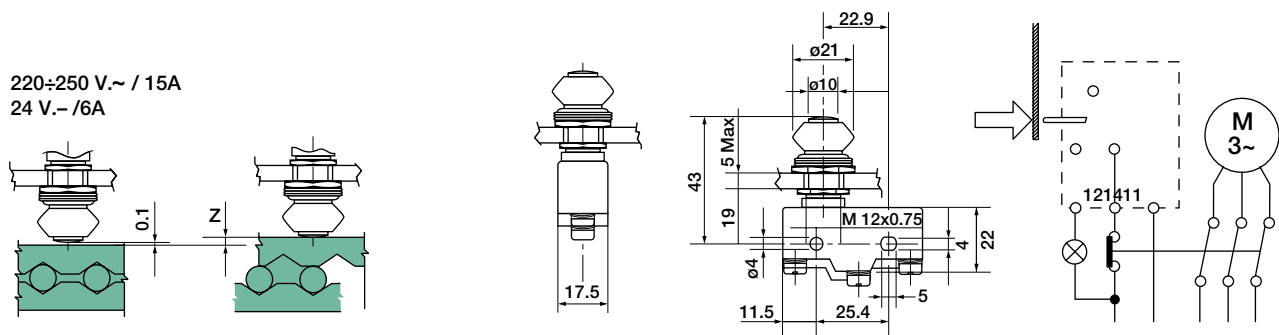
Size	Disengagement Torque								Maximum Speed – Mini E-F-G			
	Quick Guard Nm				Synchronous-Continuous-Free Running Nm				Quick Guard n/1'		Synchronous n/1'	
	Springs Type								Springs Type			
	S	M	L	LL	S	M	L	S-M	L-LL	S-M	L	
20	2.5-5	5-10	10-20	20-40	5-10	10-20	20-40	800	800	700	500	
25	6-12	12-25	25-55	55-100	12-25	25-50	50-100	800	700	700	450	
35	12-25	25-50	50-120	120-200	25-50	50-100	100-200	800	600	700	400	
45	25-50	50-100	100-250	200-450	50-100	100-200	200-450	800	500	650	300	

* The R type need screws quality 12.9 in the connection torque limiter-transmission

** Not available in the Free Running range

Mini Disc Spring Torque Limiters – Type G

Mini with Elastic Coupling



220÷250 V.~ / 15A
24 V.- / 6A

Arrangement Possibilities

Range	Size	Disc Springs				
		Code	Size	Arrangement		
				Mini E-F-G		
Quick Guard	20	S-Light	20/65	5 x 1s		
			80			
			100			
	Quick Guard R	20	M-Medium	20/65	3 x 1m	
				80		
				100		
Synchronous	25	L-Heavy	20	3 x 1m		
	35		25/65	3 x 1l		
Continuous*	45	LL-R-Heavy	80			
			100			
Free Running*	45	LL-R-Heavy	20	3 x 1l		
			25/65	3 x 2l		
			80			
			100			

* Available only in the form A, B, C, D

A-basic type, B-with roller bearing flange, C-with extended hub, D-with elastic coupling,
E-Mini basic type, F-for large transmissions, G-with elastic coupling

Emergency Stop Switch

Size	Z	
	(1) mm	(2) mm
20	1.4	1.2
25	1.4	1.2
35	2.4	1.8
45	2.4	2

(1) Quick Guard Mini
(2) Synchronous Mini

How to order:

Standard Quick Guard Type D – Size 45 – Springs LL – Ø40 – Ø 45
Order Code: D45LL40B+K

Standard Synchronous Type A – Size 100 – Springs M– Ø90 —
Order Code: A100M90B+K

Zero Backlash Torque Limiters

ZBC Heavy Duty/NBC Light Duty

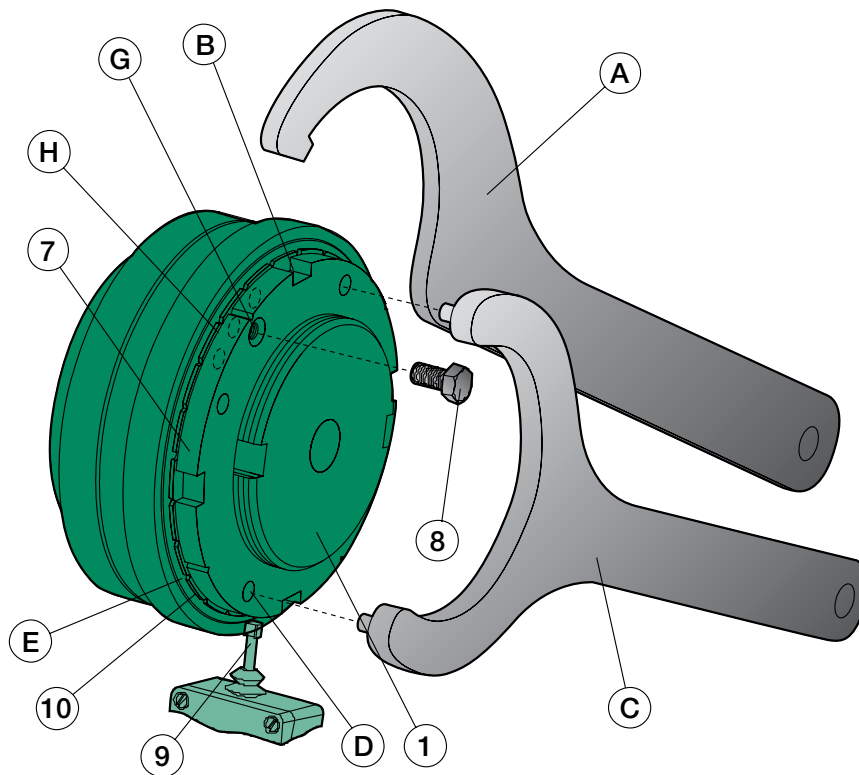
The advantages of the system, compared to the traditional types

- Torque limiters with backlash close to zero
 - ZBC is the heavy duty series
 - NBC is the light duty series
- Lower moment of inertia, reduced dimensions and weight
- Longer lifetime, reduced wear

TORQUE ADJUSTMENT

Insert wrench (A) into the seats (B) or the wrench (C) into the holes (D) and turn the nut clockwise up to the end of the stroke (fig.3). Then go back anticlockwise (fig.4) for only one indent (E) to avoid the blocking between the disc springs (6) and the hub (1): this is the “zero indent”, corresponding to the minimum torque. Starting from the “zero indent”, turn the nut anticlockwise (fig.5) for a number of indents (E) corresponding to the requested disengagement torque, according to the diagram on the label (F) on the outer diameter of the ZBC - NBC torque limiter.

Put soft Loctite on the securing screw (8) and tighten it (fig.6) in the threaded hole (G) of the nut (7), in correspondence to one of the holes (H) on the locking washer (10).



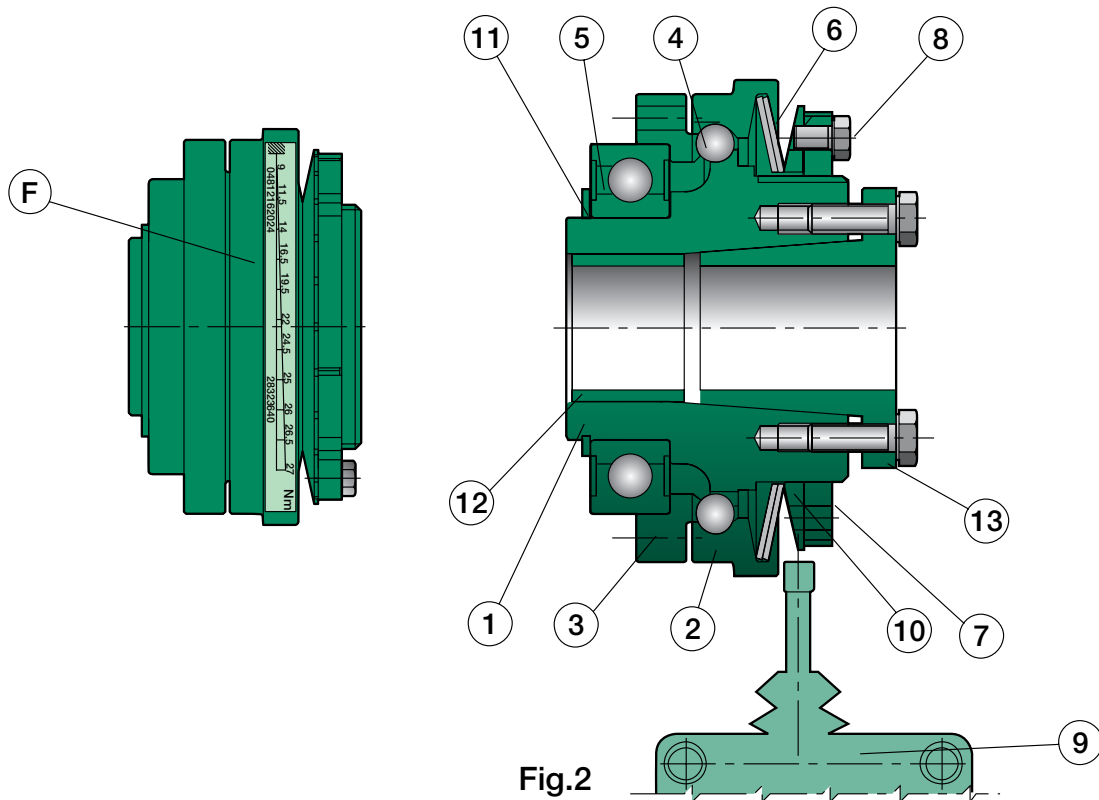
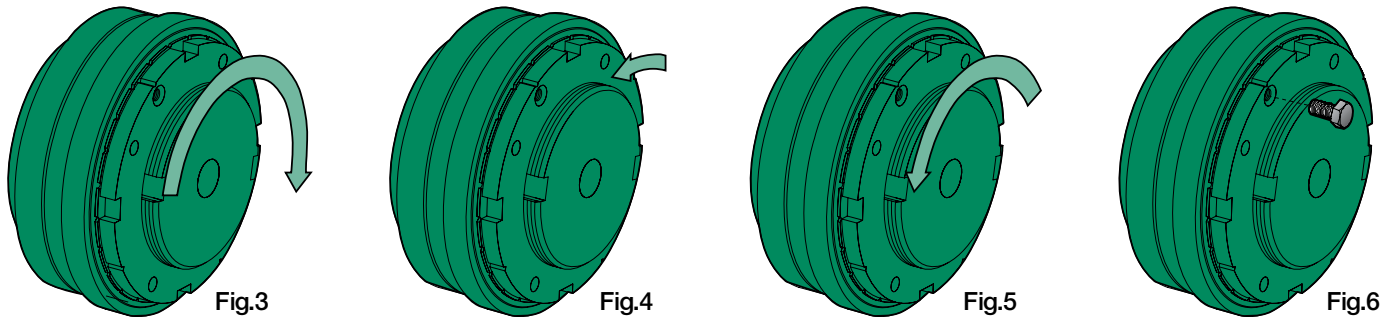
Zero Backlash Torque Limiters

How they work

During normal operations the ZBC Heavy Duty - NBC Light Duty torque limiter (fig.2) transmits the torque from the hub (1) to the flange (3) through a ball crown (4) forced by the pressure of the disc springs (6) on the moving flange (2) into the seats on the two parts (1) and (3). In case of overload, when the torque demand exceeds the pre-set value, both the parts (1) and (3) are disengaged and they transmit only a small residual torque: the balls are pressed out of the indentations of the flange (3), thus pushing the moving part (2) axially against the force of the disc springs (6), and activating the emergency stop switch of the motor (9). The re-engagement is automatic at the pre-set torque when

the torque demand drops. The synchronous type re-engages once per revolution at a reference point and keep the hub (1) and the flange (3) of the torque limiter synchronised. The disc springs are working only in the negative area of their characteristics (fig.1), so the adjustment nut (7), when tightened anticlockwise, provides an increasing axial load to the disc springs (6) and a higher disengaging torque: when the pre-set torque level is reached the nut (7) is locked in position by means of the locking screw (8).

ZBC holds 8 fixing threaded holes and a heavy duty bearing, NBC 6 fixing threaded holes and a light duty bearing.

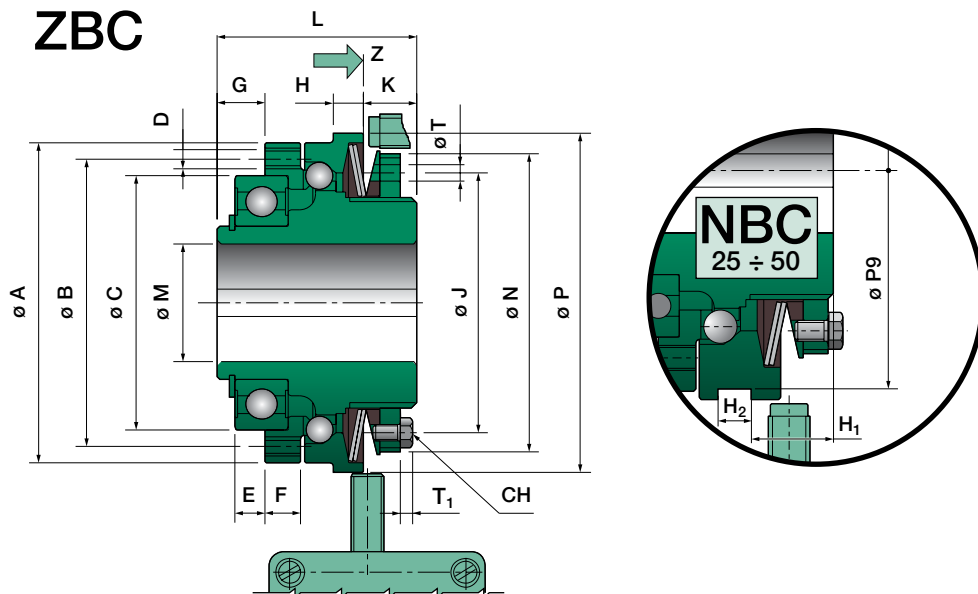


ZBC-NBC Zero Backlash Torque Limiters – Type H

Basic Form Pilot Bored



ZBC



ZBC Dimensions

Size	Overall Dimensions																		
	A	B	C ^h	D	E	F	G	H	K	J	L	M		N	P	T	T ₁	CH	Z
	Min		Max																
25	65	56	47	8xM4	5	7.5	8	7	12	54.5	40	8	20	63	70	5	2.8	7	1.2
30	80	71	62	8xM5	7	8	11	8	14	69	48	10	30*	77	85	5	2.8	7	1.5
40	95	85	75	8xM6	9	10.5	14	9	16	77	59	14	35*	88	100	5	3.5	8	1.8
50	110	100	90	8xM6	10	12	16	10	17	87.5	64	18	45*	100	115	6	4	10	2.0
60	130	116	100	8xM8	10	12	18	12	21	106	75	24	50	122	135	7	4	10	2.2

*d max with keyway seat according to DIN 6885/3

NBC Dimensions



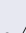

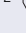
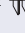
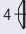





Size	Overall Dimensions																						
	A	B	C ^h	D	E	F	G	H	H ₁	H ₂	K, K ₁	J	L	M		N	P	P ₉	T	T ₁	CH	Z	
	Min		Max																				
11	40	35	30	6xM3	2	5	4.5	6	—	—	7	32	24	6	11	39.5	45	—	4	2.1	5.5	0.8	
16	47	42	37	6xM3	2	6	5	8	—	—	9.5	36.5	29	8	16*	43	50	—	4	2.1	5.5	1	
20	60	53	47	6xM4	3	7	6	9	—	—	9.5	36.5	33	9	20	43	65	—	4	2.1	5.5	1.2	
25	77	69	62	6xM5	4	7.5	8	—	14.9	7.5	10.2	54.5	41	12	20	63	80	75	5	2.8	7	1.2	
30	90	80	68	6xM6	5	8	10	—	17.4	7.5	11	69	47	15	25	77	95	90	5	2.8	7	1.5	
40	106	90	80	6xM6	5	9	10	—	20	8	12.6	77	52	22	35*	88	110	105	5	3.5	8	1.8	
50	125	112	100	6xM8	5	11	10	—	23.5	9	14.7	87.5	59	32	45	100	130	125	6	4	10	2.0	

*d max with keyway seat according to DIN 6885/3

ZBC-NBC Zero Backlash Torque Limiters – Type H

Basic Form Pilot Bored

Arrangement Possibilities (for larger transmissions)

Arrangement Possibilities				ZBC				NBC					
Range	Type			Size	Disc Springs		Torque Limiter Side (mm)		Size	Disc Springs		Min/Max Bore (mm)	
	Pre-Bored	with Cone Clamping Element	Form		Code	Layout	Min	Max		Code	Layout	Min	Max
ZBC Quick Guard	H	J	Basic Type	25	S-Light	1 	8	20	11	S-Light	1 	6	11
ZBC Synchronous	K	L	for Large Drives	30	S-Light	1 	10	30***	16	S-Light	1 	8	16
NBC* Quick Guard				40	M-Medium	2 	12	35***	20	M-Medium	2 	9	20
NBC* Synchronous	M**	N**-P**-R**	with Coupling	50	M-Medium	2 	16	45***	25	M-Medium	2 	8	20
				60	LL-Heavy	4 	22	50	30	L-Heavy	3 	10	30***
									40	LL-Heavy	4 	12	35***
									50	LL-Heavy	4 	16	45***

Stop Switch

Stop Switch	
Type	Description
A	Mechanical
B	Proximity sensor
C	Proximity sensor ext. transmit

*Only in the form H-K-J-L

** Only in the range ZBC

*** d max with keyway seat according to DIN 6885/3

Technical Characteristics

ZBC																	NBC						
Disengagement Torque (Nm)				Coupling Type													Disengagement Torque (Nm)					Max Speed	
Size	Disc Springs			Size	Couplings Nominal Torque			Misalignments						Max Speed	Disc Springs								
	S	M	LL		M-N	P-R 92 Shore A	P-R 98 Shore A	M-N			P-R 92 Shore A				P-R 98 Shore A			S	M	L	LL		
					Nm	Nm	Nm	Δ ax mm	Δ rad mm	Δ ang (°)	Δ ax mm	Δ rad mm	Δ ang (°)	Δ ax mm	Δ rad mm	Δ ang (°)	n/1'					n/1'	
25	3-14	6-28	13-56	53	70	70	120	0.4	—	1	1.4	0.14	1	1.4	0.10	0.90	4000	11	0.65-3	1.3-6	2-9	2.6-12	4000
30	9-35	18-70	40-140	72	180	190	320	0.5	—	1	1.5	0.15	1	1.5	0.11	0.90	3000	16	2-5	4-10	6-15	8-20	4000
40	19-65	38-130	78-260	72	180	360	650	0.5	—	1	1.8	0.17	1	1.8	0.12	0.90	2500	20	4-10	8-20	12-30	16-40	4000
50	35-110	80-220	160-440	89	430	530	900	0.6	—	1	2.0	0.19	1	2.0	0.14	0.90	2000	25	4-14	8-28	12-42	16-56	4000
60	80-185	160-370	320-740	118	790	620	1050	0.8	—	1	2.1	0.23	1	2.1	0.16	0.90	1200	30	9-35	18-70	27-105	40-140	3000
																		40	19-65	38-130	57-195	78-260	2500
																		50	35-110	80-220	120-330	160-440	2000

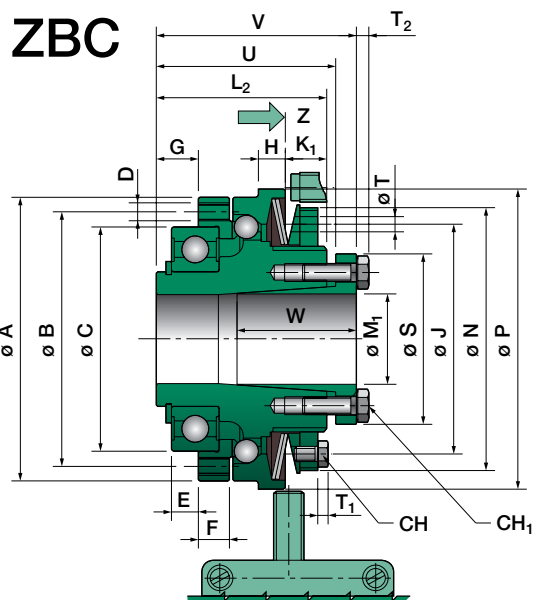
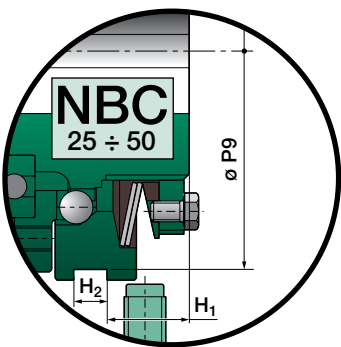
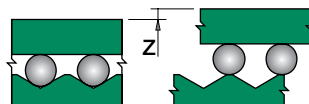
Inertia Moments

Type	H			
	Hub Side	Flange Side	Hub Side	Flange Side
	ZBC		NBC	
kg x cm ²				
11	—	—	0.27	0.08
16	—	—	0.54	0.2
20	—	—	1.8	0.6
25	2.15	0.945	4.6	1.8
30	5.30	2.351	11.8	3.9
40	13.68	6.446	27	7.7
50	27.62	13.071	61.5	17.3
60	66.45	26.523	—	—

*Corresponding to min. bore

ZBC-NBC Zero Backlash Torque Limiters – Type J

Basic Form with Clamping Elements



ZBC Dimensions

Size	Overall Dimensions																										
	A	B	C ^{as}	D	E	F	G	H	K ₁	J	L ₂	M ₁		N	P	S	T	T ₁	T ₂	CH	CH ₁	U	V	W	Z		
													Min	Max													
25	65	56	47	8xM4	5	7.5	8	7	12	54.5	40	10 19	20 25	63	70	40.5 42	5	2.8	2.8	7	7	42	47	26	1.2		
30	80	71	62	8xM5	7	8	11	8	12	69	46	15	30	77	85	57	5	2.8	4	7	10	49	56	31	1.5		
40	95	85	75	8xM6	9	10.5	14	9	14	77	57	19 32	30 40	88	100	57 64	5	3.5	3.5	8	10 8	60	67	40 31	1.8		
50	110	100	90	8xM6	10	12	16	10	16	87.5	63	32	50	100	115	73.5	6	4	4	10	10	66.5	73	29	2.0		
60	130	116	100	8xM8	10	12	18	12	21	106	75	32 55	50 60	122	135	73.5 89	7	4	4	10	10	78.5 78	85 86	29 45.5	2.2		

*d max with keyway seat according to DIN 6885/3

NBC Dimensions

Size	Overall Dimensions																												
	A	B	C ^{as}	D	E	F	G	H	H ₁	H ₂	K, K ₁	J	L ₂	M ₁		N	P	P9	S	T	T ₁	T ₂	CH	CH ₁	V	W	Z		
															Min	Max													
11	40	35	30	6xM3	2	5	4.5	6	—	—	7	32	24	6	12	39.5	45	—	25	4	2.1	2.1	5.5	5.5	29	13	0.8		
16	47	42	37	6xM3	2	6	5	8	—	—	9.5	36.5	29	8	16	43	50	—	29.5	4	2.1	2.1	5.5	5.5	34	19	1		
20	60	53	47	6xM4	3	7	6	9	—	—	9.5	36.5	33	9	16	43	65	—	29.5	4	2.1	2.1	5.5	5.5	38	19	1.2		
25	77	69	62	6xM5	4	7.5	8	—	14.9	7.5	10.2	54.5	41	10 19	20 25	63	80	75	40.5 42	5	2.8	2.8	7	7	46	26	1.2		
30	90	80	68	6xM6	5	8	10	—	17.4	7.5	11	69	47	15	30	77	95	90	57	5	2.8	4	7	10	57	31	1.5		
40	106	90	80	6xM6	5	9	10	—	20	8	12.6	77	52	19 32	30 40	88	110	105	57 64	5	3.5	3.5	8	10 8	62	40 31	1.8		
50	125	112	100	6xM8	5	11	10	—	23.5	9	14.7	87.5	59	32	50	100	130	125	73.5	6	4	4	10	10	69	29	2.0		

*d max with keyway seat according to DIN 6885/3

How to order:

ZBC Quickquard Type R – Size 50 – Springs LL – $\varnothing 40$ – $\varnothing 40$
Order Code: R50LL40B+K

NBC Sychron Type J – Size 16 – Springs L – $\varnothing 40$ – $\varnothing 40$
Order Code: J16L14B+K

ZBC-NBC Zero Backlash Torque Limiters – Type J

Basic Form with Clamping Elements

Arrangement Possibilities

Arrangement Possibilities				ZBC				NBC					
Range	Type			Size	Disc Springs		Torque Limiter Side (mm)		Size	Disc Springs		Min/Max Bore (mm)	
	Pre-Bored	with Cone Clamping Element	Form		Code	Layout	Min	Max		Code	Layout	Min	Max
ZBC Quick Guard	H	J	Basic Type	25	S-Light	1	8	20	11	S-Light	1	6	11
ZBC Synchronous	K	L	for Large Drives	30	M-Medium	2	10	30***	16	M-Medium	2	8	16
NBC* Quick Guard				40			12	35***	20			9	20
NBC* Synchronous	M**	N**-P**-R**	with Coupling	50	LL-Heavy	4	16	45***	25	L-Heavy	3	8	20
				60			22	50	30			10	30***
									40			12	35***
									50	16	45***		

Stop Switch

Stop Switch	
Type	Description
A	Mechanical
B	Proximity sensor
C	Proximity sensor ext. transmitt

*Only in the form H-K-J-L

** Only in the range ZBC

*** d max with keyway seat according to DIN 6885/3

Inertia Moments

Type	J			
	Hub Side	Flange Side	Hub Side	Flange Side
	ZBC		NBC	
kg x cm ²				
11	—	—	0.25	0.08
16	—	—	0.51	0.2
20	—	—	1.7	0.6
25	2.22	0.945	4.6	1.8
30	5.58	2.351	11.5	3.9
40	14.58	6.446	26.3	7.7
50	29.88	13.071	59.5	17.3
60	72.01	26.523	—	—

*Corresponding to min. bore

Technical Characteristics

ZBC																	NBC						
Disengagement Torque (Nm)				Coupling Type													Disengagement Torque (Nm)				Max Speed		
Size	Disc Springs			Size	Couplings Nominal Torque			Misalignments						Max Speed	Disc Springs								
	S	M	LL		M-N	P-R 92 Shore A	P-R 98 Shore A	M-N			P-R 92 Shore A				P-R 98 Shore A			S	M	L	LL		
				Nm	Nm	Nm	Δ ax mm	Δ rad mm	Δ ang (°)	Δ ax mm	Δ rad mm	Δ ang (°)	Δ ax mm	Δ rad mm	Δ ang (°)	n/1'					n/1'		
25	3-14	6-28	13-56	53	70	70	120	0.4	—	1	1.4	0.14	1	1.4	0.10	0.90	4000	11	0.65-3	1.3-6	2-9	2.6-12	4000
30	9-35	18-70	40-140	72	180	190	320	0.5	—	1	1.5	0.15	1	1.5	0.11	0.90	3000	16	2-5	4-10	6-15	8-20	4000
40	19-65	38-130	78-260	72	180	380	650	0.5	—	1	1.8	0.17	1	1.8	0.12	0.90	2500	20	4-10	8-20	12-30	16-40	4000
50	35-110	80-220	160-440	89	430	530	900	0.6	—	1	2.0	0.19	1	2.0	0.14	0.90	2000	25	4-14	8-28	12-42	16-56	4000
60	80-185	160-370	320-740	118	790	620	1050	0.8	—	1	2.1	0.23	1	2.1	0.16	0.90	1200	30	9-35	18-70	27-105	40-140	3000
																		40	19-65	38-130	57-195	78-260	2500
																		50	35-110	80-220	120-330	160-440	2000

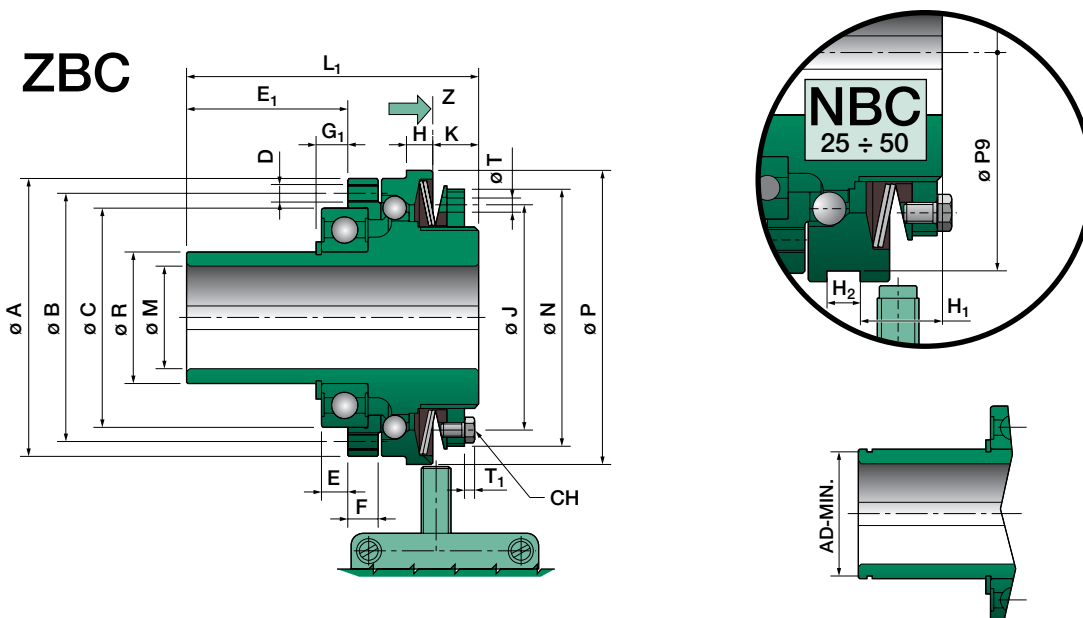
Available Bore Sizes

Type J-L		Available Bore Sizes																								Ts Nm		
ZBC	NBC	6	8	9	10	11	12	14	15	16	18	19	20	22	24	25	28	30	32	35	38	40	42	45	48		50	55
Size																												
—	11	13	18	20	23	25	28																			2.2*		
—	16	28	30	34	37	41	48	51	54																	1.7*		
—	20	28	30	34	37	41	48	51	54																	1.7*		
25	25	65	70	75	90	95	100	115	120	130	140	150	160												3			
30	30	95	100	115	160	180	190	210	220	240	260												10					
40	40	240	260	290	310	320	360	390												10								
40	40	440	480	520	550																5.9							
50	50	620	680	730	770	810	870	930	970												10							
60	—	680	700	740	780	820	870	930	970	1070	1160												10					

Ts (Nm) Clamping element screws tightening torque * Screws DIN 912 - 12.9

ZBC-NBC Zero Backlash Torque Limiters – Type K

For Large Drives, Pilot Bored



ZBC Dimensions

Size	Overall Dimensions																						
	A	B	C ^{ns}	D	E	E ₁	F	G ₁	H	K	J	L ₁	M		N	P	R ^{ns}	T	T ₁	CH	Z		
	Min		Max																				
25	65	56	47	8xM4	5	33	7.5	6.5	7	12	54.5	65	8	20	63	70	30	5	2.8	7	1.2		
30	80	71	62	8xM5	7	43	8	8.75	8	14	69	80	10	30*	77	85	40	5	2.8	7	1.5		
40	95	85	75	8xM6	9	55	10.5	11.5	9	16	77	100	14	35*	88	100	45	5	3.5	8	1.8		
50	110	100	90	8xM6	10	67	12	13	10	17	87.5	115	18	45*	100	115	55	6	4	10	2.0		
60	130	116	100	8xM8	10	73	12	14	12	21	106	130	24	50	122	135	65	7	4	10	2.2		

*d max with keyway seat according to DIN 6885/3

NBC Dimensions

Size	Overall Dimensions																							
	A	B	C ^{ns}	D	E	E ₁	F	G ₁	H	H ₁	H ₂	K, K ₁	J	L ₁	M		N	P	P ₉	R ^{ns}	T	T ₁	CH	Z
	Min		Max																					
11	40	35	30	6xM3	2	20.5	5	3	6	—	—	7	32	40	6	11	39.5	45	—	17	4	2.1	5.5	0.8
16	47	42	37	6xM3	2	25	6	5	8	—	—	9.5	36.5	49	8	16*	43	50	—	25	4	2.1	5.5	1
20	60	53	47	6xM4	3	31	7	5	9	—	—	9.5	36.5	58	9	20	43	65	—	30	4	2.1	5.5	1.2
25	77	69	62	6xM5	4	35	7.5	5.5	—	14.9	7.5	10.2	54.5	68	12	20	63	80	75	35	5	2.8	7	1.2
30	90	80	68	6xM6	5	40	8	6.5	—	17.4	7.5	11	69	77	15	25	77	95	90	40	5	2.8	7	1.5
40	106	90	80	6xM6	5	48	9	7	—	20	8	12.6	77	90	22	35*	88	110	105	50	5	3.5	8	1.8
50	125	112	100	6xM8	5	60	11	7.5	—	23.5	9	14.7	87.5	109	32	45	100	130	125	65	6	4	10	2.0

*d max with keyway seat according to DIN 6885/3

How to order:








ZBC Quickquard Type R – Size 50 – Springs LL – Ø40 – Ø 40
Order Code: R50LL40B+K

NBC Sychron Type J – Size 16 – Springs L – Ø40 – Ø 40
Order Code: J16L14B+K

ZBC-NBC Zero Backlash Torque Limiters – Type K

For Large Drives, Pilot Bored

Arrangement Possibilities

Arrangement Possibilities				ZBC				NBC					
Range	Type			Size	Disc Springs		Torque Limiter Side (mm)		Size	Disc Springs		Min/Max Bore (mm)	
	Pre-Bored	with Cone Clamping Element	Form		Code	Layout	Min	Max		Code	Layout	Min	Max
ZBC Quick Guard	H	J	Basic Type	25	S-Light	1 	8	20	11	S-Light	1 	6	11
ZBC Synchronous	K	L	for Large Drives	30			10	30***	16			8	16
NBC* Quick Guard				40	M-Medium	2 	12	35***	20	M-Medium	2 	9	20
NBC* Synchronous	M**	N**-P**-R**	with Coupling	50			16	45***	25			8	20
				60	LL-Heavy	4 	22	50	30	L-Heavy	3 	10	30***
									40	LL-Heavy	4 	12	35***
									50			16	45***

Stop Switch

Stop Switch	
Type	Description
A	Mechanical
B	Proximity sensor
C	Proximity sensor ext. transmitt

*Only in the form H-K-J-L

** Only in the range ZBC

*** d max with keyway seat according to DIN 6885/3

Inertia Moments

Type	K			
	Hub Side	Flange Side	Hub Side	Flange Side
	ZBC		NBC	
kg x cm ²				
11	—	—	0.26	0.08
16	—	—	0.55	0.2
20	—	—	1.8	0.6
25	2.29	0.945	4.8	1.8
30	5.90	2.351	12.1	3.9
40	14.75	6.446	27.6	7.7
50	30.33	13.071	65.3	17.3
60	71.94	26.523	—	—

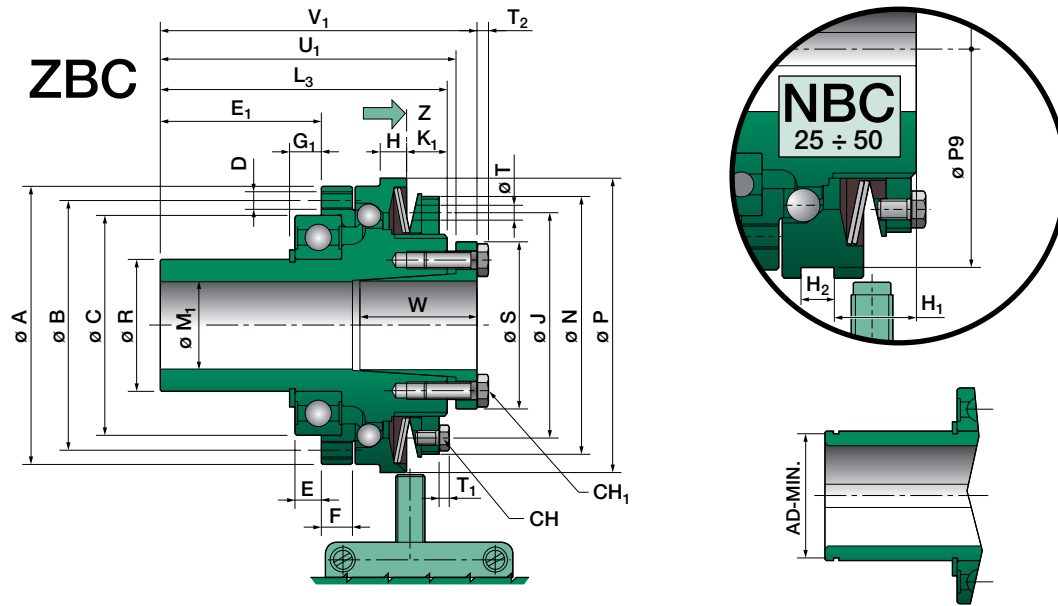
*Corresponding to min. bore

Technical Characteristics

ZBC																NBC							
Disengagement Torque (Nm)				Coupling Type												Disengagement Torque (Nm)				Max Speed			
Size	Disc Springs			Size	Couplings Nominal Torque			Misalignments									Max Speed	Disc Springs					
	S	M	LL		M-N	P-R 92 Shore A	P-R 98 Shore A	M-N			P-R 92 Shore A			P-R 98 Shore A				S	M		L	LL	
	Nm	Nm	Nm		Δ ax mm	Δ rad mm	Δ ang (°)	Δ ax mm	Δ rad mm	Δ ang (°)	Δ ax mm	Δ rad mm	Δ ang (°)	Δ ax mm	Δ rad mm	Δ ang (°)		n/1'	n/1'				
25	3-14	6-28	13-56	53	70	70	120	0.4	—	1	1.4	0.14	1	1.4	0.10	0.90	4000	11	0.65-3	1.3-6	2-9	2.6-12	4000
30	9-35	18-70	40-140	72	180	190	320	0.5	—	1	1.5	0.15	1	1.5	0.11	0.90	3000	16	2-5	4-10	6-15	8-20	4000
40	19-65	38-130	78-260	72-89	180-360	380	650	0.5-0.6	—	1	1.8	0.17	1	1.8	0.12	0.90	2500	20	4-10	8-20	12-30	16-40	4000
50	35-110	80-220	160-440	89	430	530	900	0.6	—	1	2.0	0.19	1	2.0	0.14	0.90	2000	25	4-14	8-28	12-42	16-56	4000
60	80-185	160-370	320-740	118	790	620	1050	0.8	—	1	2.1	0.23	1	2.1	0.16	0.90	1200	30	9-35	18-70	27-105	40-140	3000
																		40	19-65	38-130	57-195	78-260	2500
																		50	35-110	80-220	120-330	160-440	2000

ZBC-NBC Zero Backlash Torque Limiters – Type L

For Large Drives, with Clamped Element



ZBC Dimensions

Size	Overall Dimensions																				
	A	B	C ^{ns}	D	E ₁	G ₁	H	K ₁	J	L ₃	M ₁		N	P	R ^{ns}	S	T	T ₂	U ₁	V ₁	W
											Min	Max									
25	65	56	47	8xM4	33	6.5	7	12	54.5	65	10 19	20 25	63	70	30	40.5 42	5	2.8	67	72	26
30	80	71	62	8xM5	43	8.75	8	12	69	78	15 30	30 40	77	85	40	57	5	4	81	88	31
40	95	85	75	8xM6	55	11.5	9	14	77	98	19 32	30 40	88	100	45	57 64	5	4 3.5	101	108	40 31
50	110	100	90	8xM6	67	13	10	16	87.5	114	32 50	50	100	115	55	73.5	6	4	117.5	124	29
60	130	116	100	8xM8	73	14	12	21	106	130	32 55	50 60	122	135	65	73.5 89	7	4	133.5 133	140 141	29 45.5

*d max with keyway seat according to DIN 6885/3

NBC Dimensions

Size	Overall Dimensions																						
	A	B	C ^{ns}	D	E ₁	G ₁	H	H ₁	H ₂	K ₁ , K ₂	J	L ₃	M ₁		N	P	P ₉	R ^{ns}	S	T	T ₂	V ₁	W
													Min	Max									
11	40	35	30	6xM3	20.5	3	6	—	—	7	32	40	6	12	39.5	45	—	17	25	4	2.1	45	13
16	47	42	37	6xM3	25	5	8	—	—	9.5	36.5	49	8	16*	43	50	—	25	29.5	4	2.1	54	19
20	60	53	47	6xM4	31	5	9	—	—	9.5	36.5	58	9	16	43	65	—	30	29.5	4	2.1	63	19
25	77	69	62	6xM5	35	5.5	—	14.9	7.5	10.2	54.5	68	10 19	25	63	80	75	35	40.5 42	5	2.8	75	26
30	90	80	68	6xM6	40	6.5	—	17.4	7.5	11	69	77	15	30	77	95	90	40	57	5	4	87	31
40	106	90	80	6xM6	48	7	—	20	8	12.6	77	90	19 32	30 40	88	110	105	50	57 64	5	4 3.5	100	40 31
50	125	112	100	6xM8	60	7.5	—	23.5	9	14.7	87.5	109	32	50	100	130	125	65	73.5	6	4	119	29

*d max with keyway seat according to DIN 6885/3

How to order:

ZBC Quickquard Type R – Size 50 – Springs LL – Ø40 – Ø 40
Order Code: R50LL40B+K

NBC Synchron Type J – Size 16 – Springs L – Ø40 – Ø 40
Order Code: J16L14B+K

ZBC-NBC Zero Backlash Torque Limiters – Type L

For Large Drives, with Clamped Element

Arrangement Possibilities

Arrangement Possibilities				ZBC				NBC					
Range	Type			Size	Disc Springs		Torque Limiter Side (mm)		Size	Disc Springs		Min/Max Bore (mm)	
	Pre-Bored	with Cone Clamping Element	Form		Code	Layout	Min	Max		Code	Layout	Min	Max
ZBC Quick Guard	H	J	Basic Type	25	S-Light	1	8	20	11	S-Light	1	6	11
ZBC Synchronous	K	L	for Large Drives	30	M-Medium	2	10	30***	16	M-Medium	2	8	16
NBC* Quick Guard				40			12	35***	20			9	20
NBC* Synchronous	M**	N**-P**-R**	with Coupling	50	LL-Heavy	4	16	45***	25	L-Heavy	3	8	20
				60			22	50	30	LL-Heavy	4	10	30***
									40			12	35***
									50			16	45***

Stop Switch

Stop Switch	
Type	Description
A	Mechanical
B	Proximity sensor
C	Proximity sensor ext. transmitt

*Only in the form H-K-J-L

** Only in the range ZBC

*** d max with keyway seat according to DIN 6885/3

Inertia Moments

Type	L			
	Hub Side	Flange Side	Hub Side	Flange Side
	ZBC		NBC	
	kg x cm ²			
11	—	—	0.28	0.08
16	—	—	0.58	0.2
20	—	—	1.8	0.6
25	2.36	0.945	4.9	1.8
30	6.17	2.351	12.5	3.9
40	15.66	6.446	28.4	7.7
50	32.60	13.071	67.1	17.3
60	77.18	26.523	—	—

*Corresponding to min. bore

Technical Characteristics

ZBC															NBC								
Disengagement Torque (Nm)				Coupling Type											Disengagement Torque (Nm)				Max Speed				
Size	Disc Springs			Size	Couplings Nominal Torque			Misalignments								Size	Disc Springs						
	S	M	LL		M-N	P-R 92 Shore A	P-R 98 Shore A	M-N			P-R 92 Shore A			P-R 98 Shore A			Max Speed	S		M	L	LL	
								Δ ax mm	Δ rad mm	Δ ang (°)	Δ ax mm	Δ rad mm	Δ ang (°)	Δ ax mm	Δ rad mm				Δ ang (°)				n/1'
25	3-14	6-28	13-56	53	70	70	120	0.4	—	1	1.4	0.14	1	1.4	0.10	0.90	4000	11	0.65-3	1.3-6	2-9	2.6-12	4000
30	9-35	18-70	40-140	72	180	190	320	0.5	—	1	1.5	0.15	1	1.5	0.11	0.90	3000	16	2-5	4-10	6-15	8-20	4000
40	19-65	38-130	78-260	72	180	360	650	0.5	—	1	1.8	0.17	1	1.8	0.12	0.90	2500	20	4-10	8-20	12-30	16-40	4000
50	35-110	80-220	160-440	89	430	530	900	0.6	—	1	2.0	0.19	1	2.0	0.14	0.90	2000	25	4-14	8-28	12-42	16-56	4000
60	80-185	160-370	320-740	118	790	620	1050	0.8	—	1	2.1	0.23	1	2.1	0.16	0.90	1200	30	9-35	18-70	27-105	40-140	3000
																		40	19-65	38-130	57-195	78-260	2500
																		50	35-110	80-220	120-330	160-440	2000

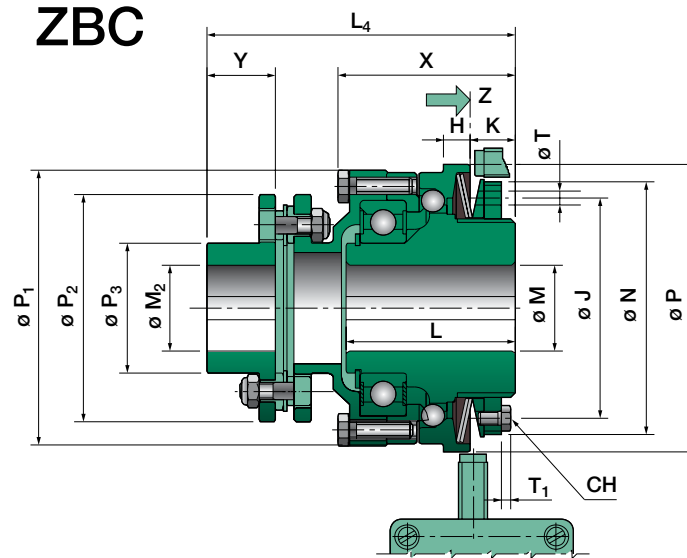
Available Bore Sizes

Type J-L		Available Bore Sizes																								Ts Nm			
ZBC	NBC	6	8	9	10	11	12	14	15	16	18	19	20	22	24	25	28	30	32	35	38	40	42	45	48		50	55	60
—	11	13	18	20	23	25	28																						2.2*
—	16		28	30	34	37	41	48	51	54																			1.7*
—	20		28	30	34	37	41	48	51	54																			1.7*
25	25				65	70	75	90	95	100	115	120	130	140	150	160													3
30	30								95	100	115	160	180	190	210	220	240	260											10
40	40										240	260	290	310	320	360	390												10
40	40																	440	480	520	550								5.9
50	50																	620	680	730	770	810	870	930	970				10
60	—																	680	700	740	780	820	870	930	970	1070	1160		10

Ts (Nm) Clamping element screws tightening torque * Screws DIN 912 - 12.9

ZBC Zero Backlash Torque Limiters – Type M

with Lamellar Coupling, Pilot Bored



Dimensions

Size	Overall Dimensions																			
	H	K	J	L	L ₄	M		M ₂		N	P	P ₁	P ₂	P ₃	T	T ₁	CH	X	Y	Z
						Min	Max	Min	Max											
25-53	7	12	54.5	40	87.5	8	20	8	25*	63	70	65	53	32.5	5	2.8	7	41.5	24.5	1.2
30-72	8	14	69	48	113	10	30*	11	35	77	85	80	72	47	5	2.8	7	50	39.5	1.5
40-72	9	16	77	59	126.5	14	35*	11	35	88	100	97	72	47	5	3.5	8	62	39.5	1.8
40-89	9	16	77	59	142.5	14	35*	15	50*	88	100	97	89	62.5	5	3.5	8	62	45	1.8
50-89	10	17	87.5	64	145	18	45*	15	50*	100	115	111	89	62.5	6	4	10	66.5	45	2.0
60-118	12	21	106	75	172.5	24	50	16	65	122	135	131	118	82	7	4	10	76.5	55	2.2

*d max with keyway seat according to DIN 6885/3

Available Bore Sizes

ZBC Type N Torque Limiter Side	Available Bore Sizes/Transmissible Torque (mm/Nm)																							Ts Nm							
	10	11	12	14	15	16	18	19	20	22	24	25	28	30	32	35	38	40	42	45	48	50	55		60						
Size	25	30	40	40	50	60																		3							
	65	70	75	90	95	100	115	120	130	140	150	160											10								
							120	130	150	160	180	190	210	220	240	260											10				
									240	260	290	310	320	360	390											10					
															440	480	520	550											5.9		
																	620	680	730	770	810	870	930	970							10
																			680	700	740	780	820	870	930	970	1070	1160			10

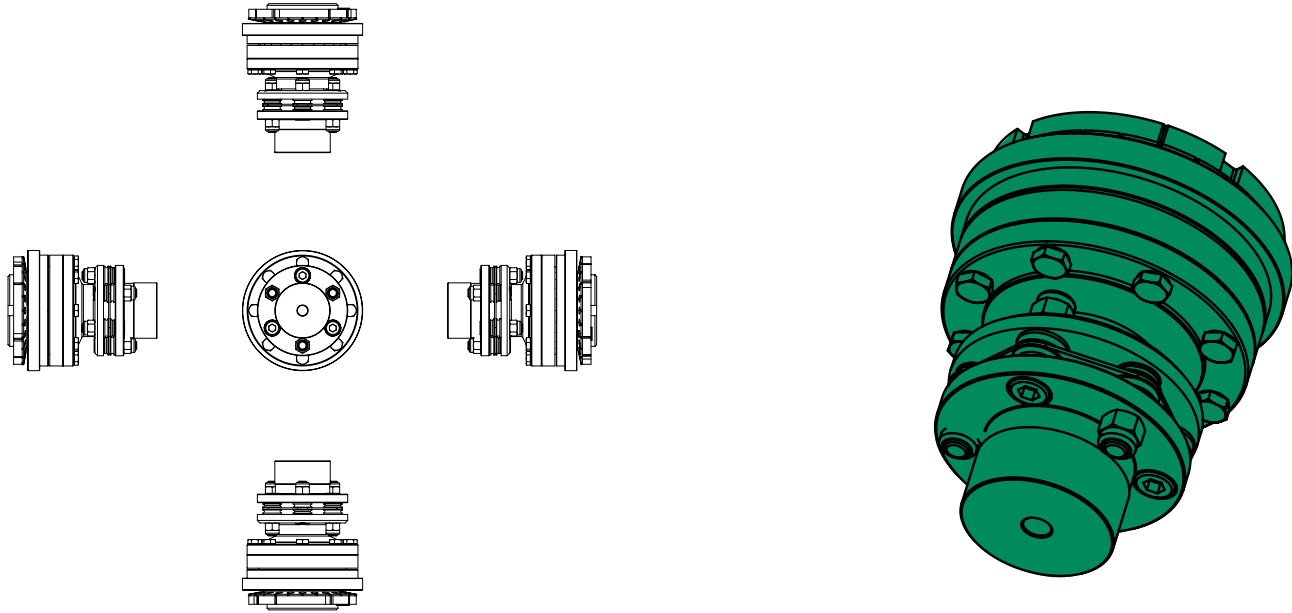
ZBC Type N Coupling Side	Available Bore Sizes/Transmissible Torque Coupling Side (mm/Nm)																				Ts Nm	Tc Nm							
	11	12	14	15	16	18	19	20	22	24	25	28	30	32	35	38	40	42	45	48			50	55	60				
Size	25-53	80	87	102	108	116	130	138	145															5	6				
	30-72	146			155	175	210	220	242	265	276	309	331											17	8				
	40-72							210	220	242	265	276	309	331											17	8			
	40-89											529	552	618	662	706	772	839	883	926							17	14	
	50-89											529	552	618	662	706	772	839	883	926							17	14	
	60-118															706	772	839	883	926	1026	1094	1140	1250	1370			17	31

*Ts (Nm) Clamping element screws tightening torque

**Tc (Nm) Coupling screws tightening torque

ZBC Zero Backlash Torque Limiters – Type M

with Lamellar Coupling, Pilot Bored



Arrangement Possibilities

Stop Switch

Arrangement Possibilities				ZBC														Stop Switch				
Range	Type			Size	Disc Springs		Torque Limiter Side (mm)				Coupling Side (mm)						Type	Description				
	Pre-Bored	with Cone Clamping Element	Form		Code	Layout	H-K-M-T		J-L-N-P-R		M		N		P				R		T	
							Min	Max	Min	Max	Min	Max	Min	Max	Min	Max			Min	Max	Min	Max
ZBC Quick Guard	H	J	Basic Type	25	S-Light	1	8	20	10	25	8	25***	10	20	10	28	15	28	8	28	A	Mechanical
ZBC Synchronous	K	L	for Large Drives	30	M-Medium	2	10	30***	15	30	11	35	19	30	19	38	19	38	10	38	B	Proximity sensor
NBC* Quick Guard	M**	N**-P**-R**	with Coupling	40	LL-Heavy	4	12	35***	19	40	11	50***	15	42	20	45	20	45	12	45	C	Proximity sensor ext. transmit
NBC* Synchronous				50			16	45***	32	50	15	50***	24	42	28	48	28	50	14	55		
				60			22	50	32	60	16	65	32	60	25	55	30	55	15	60		

*Only in the form H-K-J-L

** Only in the range ZBC

*** d max with keyway seat according to DIN 6885/3

Technical Characteristics

ZBC																	
Disengagement Torque (Nm)				Coupling Type													
Size	Disc Springs			Size	Couplings Nominal Torque			Misalignments									Max Speed n/1'
	S	M	LL		M-N	P-R 92 Shore A	P-R 98 Shore A	M-N			P-R 92 Shore A			P-R 98 Shore A			
								Δ ax mm	Δ rad mm	Δ ang (°)	Δ ax mm	Δ rad mm	Δ ang (°)	Δ ax mm	Δ rad mm	Δ ang (°)	
25	3-14	6-28	13-56	53	70	70	120	0.4	—	1	1.4	0.14	1	1.4	0.10	0.90	4000
30	9-35	18-70	40-140	72	180	190	320	0.5	—	1	1.5	0.15	1	1.5	0.11	0.90	3000
40	19-65	38-130	78-260	72	180	380	650	0.5 0.6	—	1	1.8	0.17	1	1.8	0.12	0.90	2500
50	35-110	80-220	160-440	89	430	530	900	0.6	—	1	2.0	0.19	1	2.0	0.14	0.90	2000
60	80-185	160-370	320-740	118	790	620	1050	0.8	—	1	2.1	0.23	1	2.1	0.16	0.90	1200

Inertia Moment

Type	M	
	Hub Side	Flange Side
	ZBC	
	kg x cm ²	
11	—	—
16	—	—
20	—	—
25	2.15	2.42
30	5.30	6.92
40	13.68	16.55
50	27.62	34.03
60	66.45	43.52

*Corresponding to min. bore

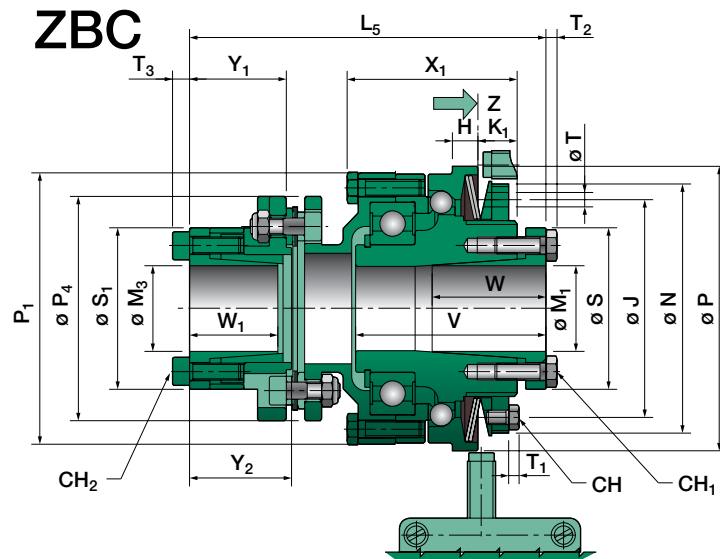
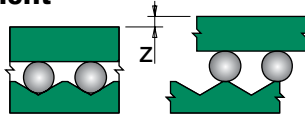
How to order:

ZBC Quickquard Type R – Size 50 – Springs LL – Ø40 – Ø 40 Order Code: R50LL40B+K

NBC Synchron Type J – Size 16 – Springs L – Ø40 – Ø 40 Order Code: J16L14B+K

ZBC Zero Backlash Torque Limiters – Type N

with Lamellar Coupling and Clamping Equipment



Dimensions

Size	Overall Dimensions																										
	H	K ₁	J	L ₅	M ₁		M ₃		N	P	P ₁	P ₄	S	S ₁	T	T ₁	T ₂	T ₃	CH	CH ₁	CH ₂	V	W	W ₁	Y ₁	Y ₂	Z
					Min	Max	Min	Max																			
25-53	7	12	54.5	95.5	10	20	10	20	63	70	65	53	40.5	42	5	2.8	2.8	4	7	7	3	47	26	26.5	25.5	27.5	1.2
30-72	8	12	69	114.5	15	30	19	30	77	85	80	72	57	58	5	2.8	4	6	7	10	5	56	31	31	33	—	1.5
40-72	9	14	77	128	19	40	19	30	88	100	97	72	57	58	5	3.5	4	6	8	10	5	67	40	31	33	—	1.8
40-89	9	14	77	150	19	40	24	42	88	100	97	89	64	72	5	3.5	3.5	6	8	8	5	67	31	45	44.5	45.5	1.8
50-89	10	16	87.5	153.5	32	50	24	42	100	115	111	89	73.5	72	6	4	4	6	10	10	5	73	29	45	44.5	45.5	2.0
60-118	12	21	106	162.5	32	50	32	50	122	135	131	118	73.5	79	7	4	4	6	10	10	5	85	29	29	35	—	2.2
					55	60	55	60					89	92								86	44	44	44	46	

*d max with keyway seat according to DIN 6885/3

Available Bore Sizes

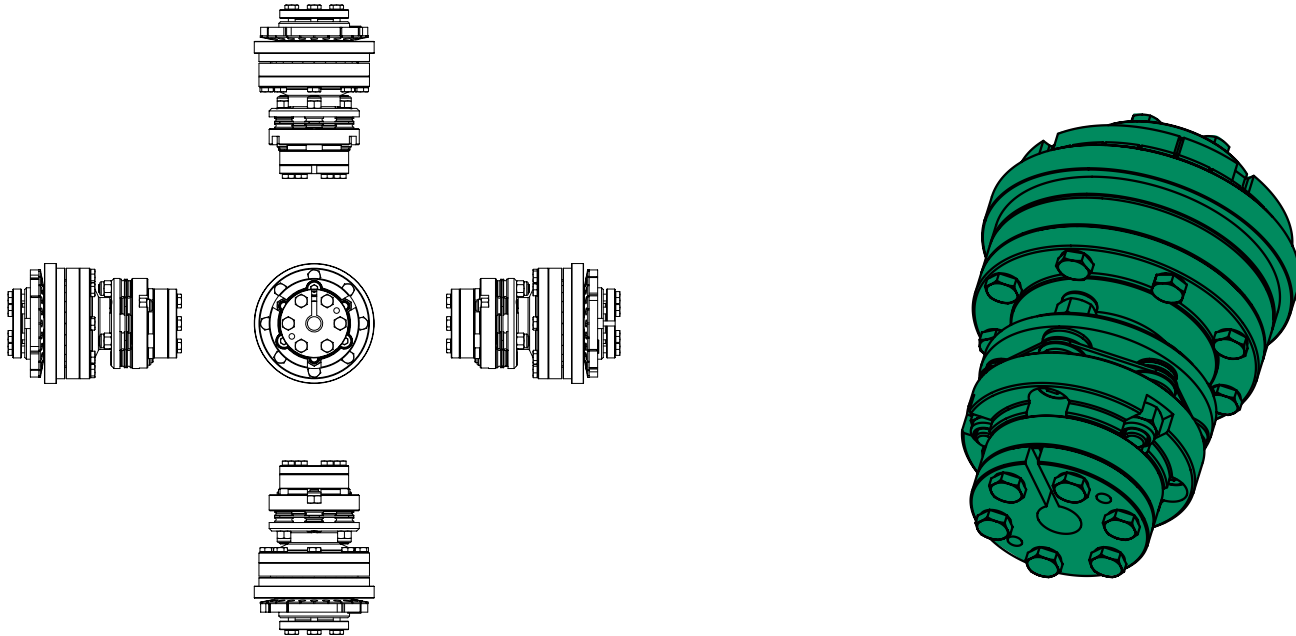
ZBC Type N Torque Limiter Side	Available Bore Sizes/Transmissible Torque (mm/Nm)																				Ts Nm					
	10	11	12	14	15	16	18	19	20	22	24	25	28	30	32	35	38	40	42	45		48	50	55	60	
25	65	70	75	90	95	100	115	120	130	140	150	160														3
30				120	130	150	160	180	190	210	220	240	260													10
40								240	260	290	310	320	360	390												10
40														440	480	520	550									5.9
50														620	680	730	770	810	870	930	970					10
60														680	700	740	780	820	870	930	970	1070	1160			10

ZBC Type N Coupling Side	Available Bore Sizes/Transmissible Torque Coupling Side (mm/Nm)																				Ts Nm	Tc Nm				
	11	12	14	15	16	18	19	20	22	24	25	28	30	32	35	38	40	42	45	48			50	55	60	
25-53	80	87	102	108	116	130	138	145																	5	6
30-72				146	155	175	210	220	242	265	276	309	331												17	8
40-72							210	220	242	265	276	309	331												17	8
40-89										529	552	618	662	706	772	839	883	926							17	14
50-89										529	552	618	662	706	772	839	883	926							17	14
60-118														706	772	839	883	926	1026	1094	1140	1250	1370		17	31

*Ts (Nm) Clamping element screws tightening torque **Tc (Nm) Coupling screws tightening torque

ZBC Zero Backlash Torque Limiters – Type N

with Lamellar Coupling and Clamping Equipment



Arrangement Possibilities

Arrangement Possibilities				ZBC																
Range	Type			Size	Disc Springs		Torque Limiter Side (mm)				Coupling Side (mm)									
	Pre-Bored	with Cone Clamping Element	Form		Code	Layout	H-K-M-T		J-L-N-P-R		M		N		P		R		T	
							Min	Max	Min	Max	Min	Max	Min	Max	Min	Max	Min	Max	Min	Max
ZBC Quick Guard	H	J	Basic Type	25	S-Light	1	8	20	10	25	8	25***	10	20	10	28	15	28	8	28
ZBC Synchronous	K	L	for Large Drives	30	M-Medium	2	10	30***	15	30	11	35	19	30	19	38	19	38	10	38
NBC* Quick Guard	M**	N**-P**-R**	with Coupling	40			12	35***	19	40	11	50***	15	42	20	45	20	45	12	45
NBC* Synchronous				50	16	45***	32	50	15	50***	24	42	28	48	28	50	14	55		
				60	LL-Heavy	4	22	50	32	60	16	65	32	60	25	55	30	55	15	60

*Only in the form H-K-J-L

** Only in the range ZBC

*** d max with keyway seat according to DIN 6885/3

Stop Switch

Stop Switch	
Type	Description
A	Mechanical
B	Proximity sensor
C	Proximity sensor ext. transmit

Technical Characteristics

ZBC																	
Disengagement Torque (Nm)				Coupling Type													
Size	Disc Springs			Size	Couplings Nominal Torque			Misalignments						Max Speed			
	S	M	LL		M-N	P-R 92 Shore A	P-R 98 Shore A	M-N			P-R 92 Shore A		P-R 98 Shore A				
								Nm	Nm	Nm	Δ ax mm	Δ rad mm	Δ ang (°)		Δ ax mm	Δ rad mm	Δ ang (°)
25	3-14	6-28	13-56	53	70	70	120	0.4	—	1	1.4	0.14	1	1.4	0.10	0.90	4000
30	9-35	18-70	40-140	72	180	190	320	0.5	—	1	1.5	0.15	1	1.5	0.11	0.90	3000
40	19-65	38-130	78-260	72	180	360	650	0.5	—	1	1.8	0.17	1	1.8	0.12	0.90	2500
50	35-110	80-220	160-440	89	430	530	900	0.6	—	1	2.0	0.19	1	2.0	0.14	0.90	2000
60	80-185	160-370	320-740	118	790	620	1050	0.8	—	1	2.1	0.23	1	2.1	0.16	0.90	1200

Inertia Momentum

Type	N	
	Hub Side	Flange Side
	ZBC	
	kg x cm ²	
11	—	—
16	—	—
20	—	—
25	2.22	2.47
30	5.58	7.06
40	14.58	16.88 26.12
50	29.88	34.71
60	72.01	44.39

*Corresponding to min. bore

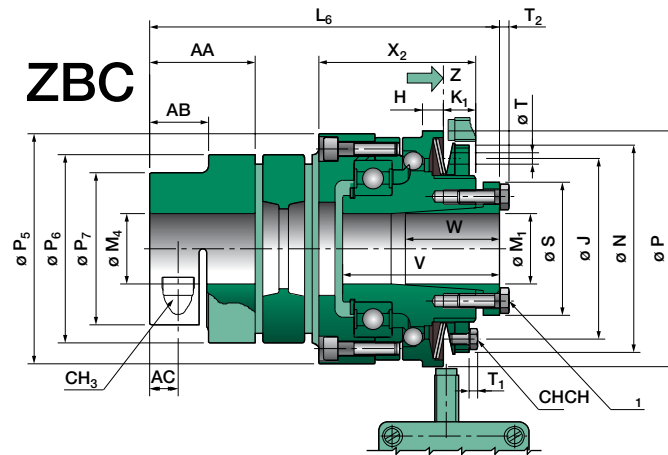
How to order:

ZBC Quickquard Type R – Size 50 – Springs LL – Ø40 – Ø 40 Order Code: R50LL40B+K

NBC Synchron Type J – Size 16 – Springs L – Ø40 – Ø 40 Order Code: J16L14B+K

ZBC Zero Backlash Torque Limiters – Type P

with Flexible Coupling and Clamping Hub



Dimensions

Size	Overall Dimensions																									
	H	K ₁	J	L ₆	M ₁		M ₄		N	P ₅	P ₆	P ₇	S	T	T ₁	T ₂	CH	CH ₁	CH ₃	V	W	X ₂	Z	AA	AB	AC
					Min	Max	Min	Max																		
25	7	12	54.5	102	10	20	10	28	63	70	55	—	40.5	5	2.8	2.8	7	7	5	47	26	47	1.2	30	—	10.5
30	8	12	69	119.5	15	30	14	38	77	85	65	—	57	5	2.8	4	7	10	6	56	31	54.5	1.5	35	—	11.5
40	9	14	77	146	19	30	15	45	88	100	80	—	57	5	3.5	4	8	10	6	67	31	67	1.8	45	—	15.5
50	10	16	87.5	159	32	50	20	48	100	115	95	85	73.5	6	4	4	10	10	8	73	29	73	2	50	28	18
60	12	21	106	181	32	50	25	55	122	135	105	95	73.5	7	4	4	10	10	10	85	29	87	2.2	56	32	21

Available Bore Sizes

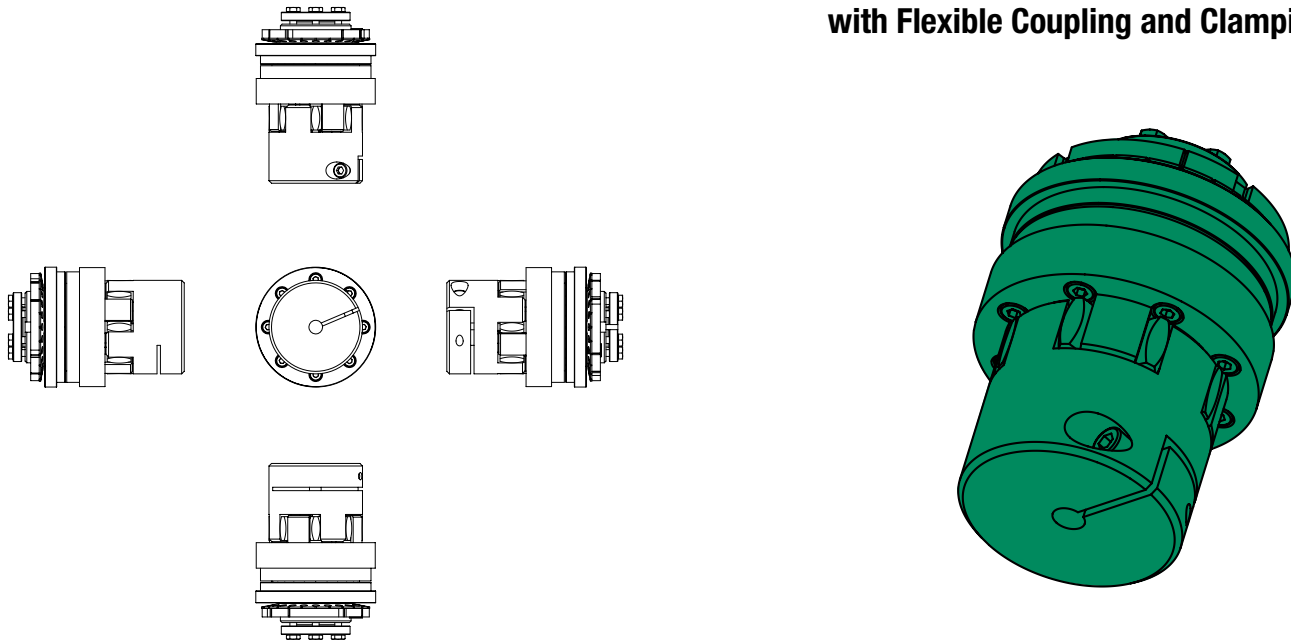
ZBC Type P-R Torque Limiter Side	Available Bore Sizes/Transmissible Torque (mm/Nm)																							Ts Nm			
	10	11	12	14	15	16	18	19	20	22	24	25	28	30	32	35	38	40	42	45	48	50	55		60		
	Size																										
25	65	70	75	90	95	100	115	120	130	140	150	160												3			
30					120	130	150	160	180	190	210	220	240	260												10	
40							240	260	290	310	320	360	390												10		
40												440	480	520	550												5.9
50												620	680	730	770	810	870	930	970							10	
60												680	700	740	780	820	870	930	970	1070	1160			10			

ZBC Type P Coupling Side	Available Bore Sizes/Transmissible Torque Coupling Side (mm/Nm)																							Ts Nm							
	8	10	11	14	15	16	19	20	24	25	28	30	32	35	38	40	42	45	48	50	55	60	65								
	Size																														
25	34	35	36	38	39	39	41	43	45	46												10.5									
30				80	81	81	85	87	91	92	97	99	102	105	109												25				
40					92	94	98	99	104	105	109	112	113	118	122	123	126	130												25	
50							232	244	246	255	260	266	274	283	288	294	301	309												69	
60								393	405	413	421	434	445	454	462	473	486	494	514												120

*Ts (Nm) Clamping hub screw tightening torque

ZBC Zero Backlash Torque Limiters – Type P

with Flexible Coupling and Clamping Hub



Arrangement Possibilities

Stop Switch

Arrangement Possibilities				ZBC														Stop Switch				
Range	Type			Size	Disc Springs		Torque Limiter Side (mm)				Coupling Side (mm)						Type	Description				
	Pre-Bored	with Cone Clamping Element	Form		Code	Layout	H-K-M-T		J-L-N-P-R		M		N		P				R		T	
							Min	Max	Min	Max	Min	Max	Min	Max	Min	Max			Min	Max	Min	Max
ZBC Quick Guard	H	J	Basic Type	25	S-Light	1	8	20	10	25	8	25***	10	20	10	28	15	28	8	28	A	Mechanical
ZBC Synchronous	K	L	for Large Drives	30	M-Medium	2	10	30***	15	30	11	35	19	30	19	38	19	38	10	38	B	Proximity sensor
NBC* Quick Guard	M**	N**-P**-R**	with Coupling	40			12	35***	19	40	11	50***	15	42	20	45	20	45	12	45	C	Proximity sensor ext. transmit
NBC* Synchronous				50	16	45***	32	50	15	50***	24	42	28	48	28	50	14	55				
				60	LL-Heavy	4	22	50	32	60	16	65	32	60	25	55	30	55	15	60		

*Only in the form H-K-J-L

** Only in the range ZBC

*** d max with keyway seat according to DIN 6885/3

Technical Characteristics

ZBC																	
Disengagement Torque (Nm)				Coupling Type													
Size	Disc Springs			Size	Couplings Nominal Torque			Misalignments									Max Speed n/1'
	S	M	LL		M-N	P-R 92 Shore A	P-R 98 Shore A	M-N			P-R 92 Shore A			P-R 98 Shore A			
								Δ ax mm	Δ rad mm	Δ ang (°)	Δ ax mm	Δ rad mm	Δ ang (°)	Δ ax mm	Δ rad mm	Δ ang (°)	
25	3-14	6-28	13-56	53	70	70	120	0.4	—	1	1.4	0.14	1	1.4	0.10	0.90	4000
30	9-35	18-70	40-140	72	180	190	320	0.5	—	1	1.5	0.15	1	1.5	0.11	0.90	3000
40	19-65	38-130	78-260	72 89	180 360	380	650	0.5 0.6	—	1	1.8	0.17	1	1.8	0.12	0.90	2500
50	35-110	80-220	160-440	89	430	530	900	0.6	—	1	2.0	0.19	1	2.0	0.14	0.90	2000
60	80-185	160-370	320-740	118	790	620	1050	0.8	—	1	2.1	0.23	1	2.1	0.16	0.90	1200

Inertia Momentum

Type	P	
	Hub Side	Flange Side
	ZBC	
	kg x cm ²	
11	—	—
16	—	—
20	—	—
25	2.22	4
30	5.58	10
40	14.58	20
50	29.88	50
60	72.01	114

*Corresponding to min. bore

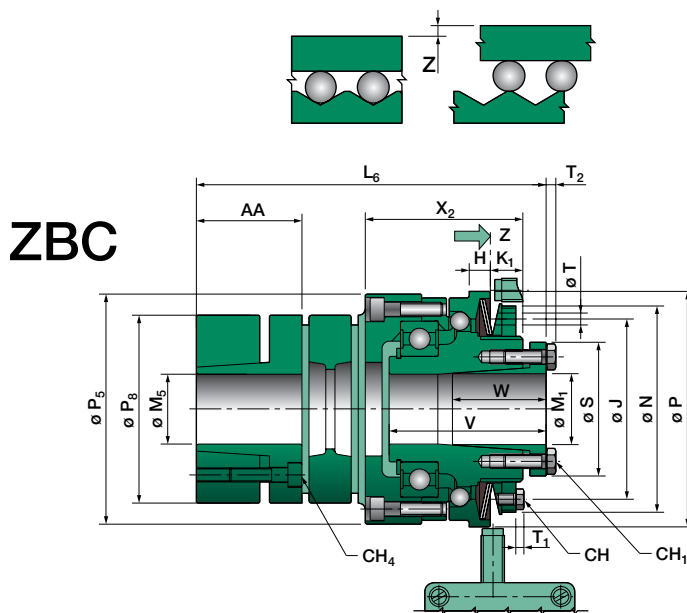
How to order:

ZBC Quickquard Type R – Size 50 – Springs LL – Ø40 – Ø 40 Order Code: R50LL40B+K

NBC Synchron Type J – Size 16 – Springs L – Ø40 – Ø 40 Order Code: J16L14B+K

ZBC Zero Backlash Torque Limiters – Type R

with Flexible Coupling and Shrink Disc



Dimensions

Size	Overall Dimensions																						
	H	K ₁	J	L ₆	M ₁		M ₅		N	P	P ₅	P ₈	S	T ₁	T ₂	CH	CH ₁	CH ₄	V	W	X ₂	Z	AA
					Min	Max	Min	Max															
25	7	12	54.5	102	10 19	20 25	15	28	63	70	70	55	40.5 42	2.8	2.8	7	7	4	47	26	47	1.2	30
30	8	12	69	119.5	15	30	19	38	77	85	85	65	57	2.8	4	7	10	4	56	31	54.5	1.5	35
40	9	14	77	146	19 32	30 40	20	45	88	100	100	80	57 64	3.5	4 3.5	8	10 8	5	67	40 31	67	1.8	45
50	10	16	87.5	159	32	50	28	50	100	115	115	95	73.5	4	4	10	10	6	73	29	73	2	50
60	12	21	106	181 182	32 55	50 60	30	55	122	135	135	105	73.5 89	4	4	10	10	8	85 86	29 45.5	87	2.2	56

Available Bore Sizes

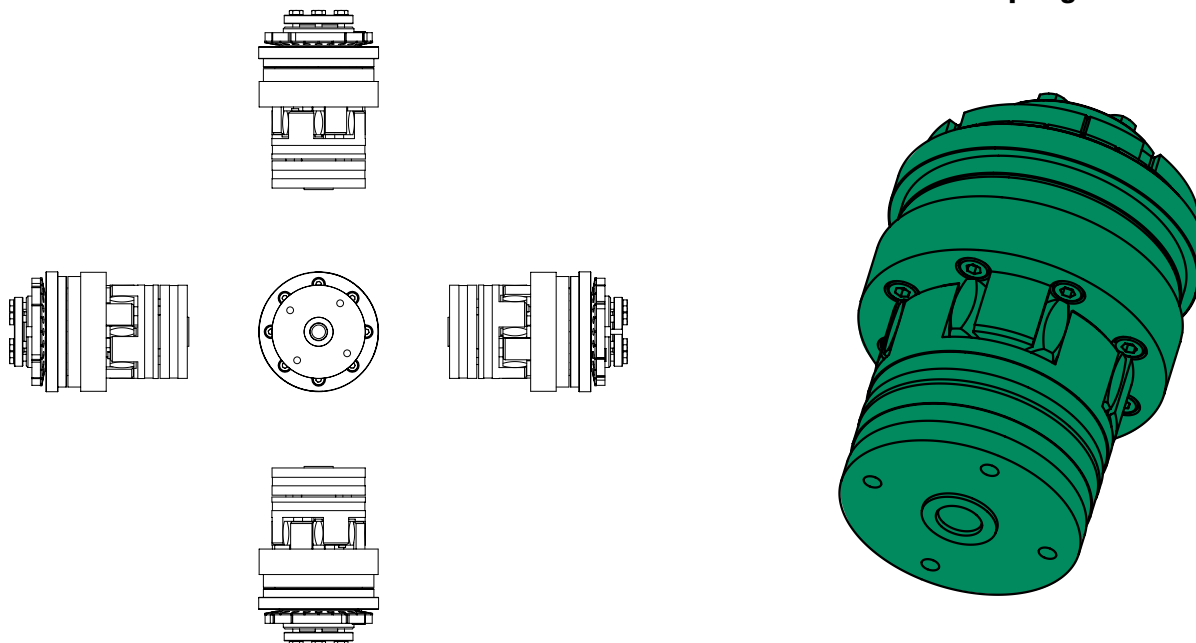
ZBC Type P-R Torque Limiter Side	Available Bore Sizes/Transmissible Torque (mm/Nm)																								Ts Nm		
	10	11	12	14	15	16	18	19	20	22	24	25	28	30	32	35	38	40	42	45	48	50	55	60			
25	65	70	75	90	95	100	115	120	130	140	150	160														3	
30				120	130	150	160	180	190	210	220	240	260														10
40								240	260	290	310	320	360	390													10
40															440	480	520	550									5.9
50															620	680	730	770	810	870	930	970					10
60															680	700	740	780	820	870	930	970	1070	1160			10

ZBC Type R Coupling Side	Available Bore Sizes/Transmissible Torque Coupling Side (mm/Nm)																				Ts Nm					
	6	8	10	11	14	15	16	19	20	24	25	28	30	32	35	38	40	42	45	48		50	55			
25				48	67	74	72	90	97	112	120	143														6
30					142	154	189	188	237	250	280	307	310	353	389											6
40								269	337	356	398	436	442	501	533	572	585	644								10
50										399	445	506	470	566	581	630	647	728	836	858						35
60													775	819	955	999	1090	1091	1230	1334	1381	1540				69

*Ts (Nm) Shrink disc screws tightening torque

ZBC Zero Backlash Torque Limiters – Type R

with Flexible Coupling and Shrink Disc



Arrangement Possibilities

Arrangement Possibilities				ZBC																
Range	Type			Size	Disc Springs		Torque Limiter Side (mm)				Coupling Side (mm)									
	Pre-Bored	with Cone Clamping Element	Form		Code	Layout	H-K-M-T		J-L-N-P-R		M		N		P		R		T	
							Min	Max	Min	Max	Min	Max	Min	Max	Min	Max	Min	Max	Min	Max
ZBC Quick Guard	H	J	Basic Type	25	S-Light	1	8	20	10	25	8	25***	10	20	10	28	15	28	8	28
ZBC Synchronous	K	L	for Large Drives	30	M-Medium	2	10	30***	15	30	11	35	19	30	19	38	19	38	10	38
NBC* Quick Guard	M**	N**-P**-R**	with Coupling	40	LL-Heavy	4	12	35***	19	40	11	50***	15	42	20	45	20	45	12	45
NBC* Synchronous				50			16	45***	32	50	15	50***	24	42	28	48	28	50	14	55
				60			22	50	32	60	16	65	32	60	25	55	30	55	15	60

*Only in the form H-K-J-L

** Only in the range ZBC

*** d max with keyway seat according to DIN 6885/3

Stop Switch

Stop Switch	
Type	Description
A	Mechanical
B	Proximity sensor
C	Proximity sensor ext. transmitt

Technical Characteristics

ZBC																	
Disengagement Torque (Nm)				Coupling Type													
Size	Disc Springs			Size	Couplings Nominal Torque			Misalignments									Max Speed n/1'
	S	M	L		M-N	P-R 92 Shore A	P-R 98 Shore A	M-N			P-R 92 Shore A			P-R 98 Shore A			
								Δ ax mm	Δ rad mm	Δ ang (°)	Δ ax mm	Δ rad mm	Δ ang (°)	Δ ax mm	Δ rad mm	Δ ang (°)	
25	3-14	6-28	13-56	53	70	70	120	0.4	—	1	1.4	0.14	1	1.4	0.10	0.90	4000
30	9-35	18-70	40-140	72	180	190	320	0.5	—	1	1.5	0.15	1	1.5	0.11	0.90	3000
40	19-65	38-130	78-260	72 89	180 360	380	650	0.5 0.6	—	1	1.8	0.17	1	1.8	0.12	0.90	2500
50	35-110	80-220	160-440	89	430	530	900	0.6	—	1	2.0	0.19	1	2.0	0.14	0.90	2000
60	80-185	160-370	320-740	118	790	620	1050	0.8	—	1	2.1	0.23	1	2.1	0.16	0.90	1200

Inertia Momentum

Type	R	
	Hub Side	Flange Side
	ZBC	
	kg x cm ²	
11	—	—
16	—	—
20	—	—
25	2.22	4
30	5.58	10
40	14.58	20
50	29.88	50
60	72.01	114

*Corresponding to min. bore

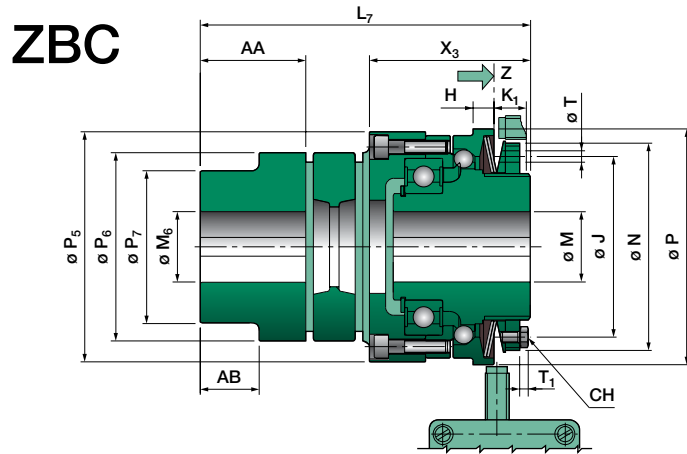
How to order:

ZBC Quickquard Type R – Size 50 – Springs LL – Ø40 – Ø 40 Order Code: R50LL40B+K

NBC Synchron Type J – Size 16 – Springs L – Ø40 – Ø 40 Order Code: J16L14B+K

ZBC Zero Backlash Torque Limiters – Type T

with Flexible Coupling, Pilot Bored



Dimensions

Size	Overall Dimensions																			
	H	K ₁	J	L ₇	M ₁		M ₆		N	P	P ₅	P ₆	P ₇	T	T ₁	CH	X ₃	Z	AA	AB
					Min	Max	Min	Max												
25	7	12	54.5	95	10 19	20 25	8	28	63	70	70	55	—	5	2.8	7	47	1.2	30	—
30	8	12	69	111.5	15	30	10	38	77	85	85	65	—	5	2.8	7	56.5	1.5	35	—
40	9	14	77	138	19 32	30 40	12	45	88	100	100	80	—	5	3.5	8	69	1.8	45	—
50	10	16	87.5	150	32	50	14	55	100	115	115	95	85	6	4	10	74	2	50	28
60	12	21	106	171	32 55	50 60	15	60	122	135	135	105	95	7	4	10	87	2.2	56	32

Available Bore Sizes

ZBC Type P-R Torque Limiter Side	Available Bore Sizes/Transmissible Torque (mm/Nm)																				Ts Nm						
	10	11	12	14	15	16	18	19	20	22	24	25	28	30	32	35	38	40	42	45		48	50	55	60		
25	65	70	75	90	95	100	115	120	130	140	150	160														3	
30				120	130	150	160	180	190	210	220	240	260														10
40								240	260	290	310	320	360	390													10
40															440	480	520	550									5.9
50															620	680	730	770	810	870	930	970					10
60															680	700	740	780	820	870	930	970	1070	1160			10

ZBC Type P Coupling Side	Available Bore Sizes/Transmissible Torque Coupling Side (mm/Nm)																				Ts Nm						
	8	10	11	14	15	16	19	20	24	25	28	30	32	35	38	40	42	45	48	50		55	60	65			
25		34	35	36	38	39	39	41	43	45	46															10.5	
30				80	81	81	85	87	91	92	97	99	102	105	109												25
40					92	94	98	99	104	105	109	112	113	118	122	123	126	130									25
50									232	244	246	255	260	266	274	283	288	294	301	309							69
60										393	405	413	421	434	445	454	462	473	486	494	514						120

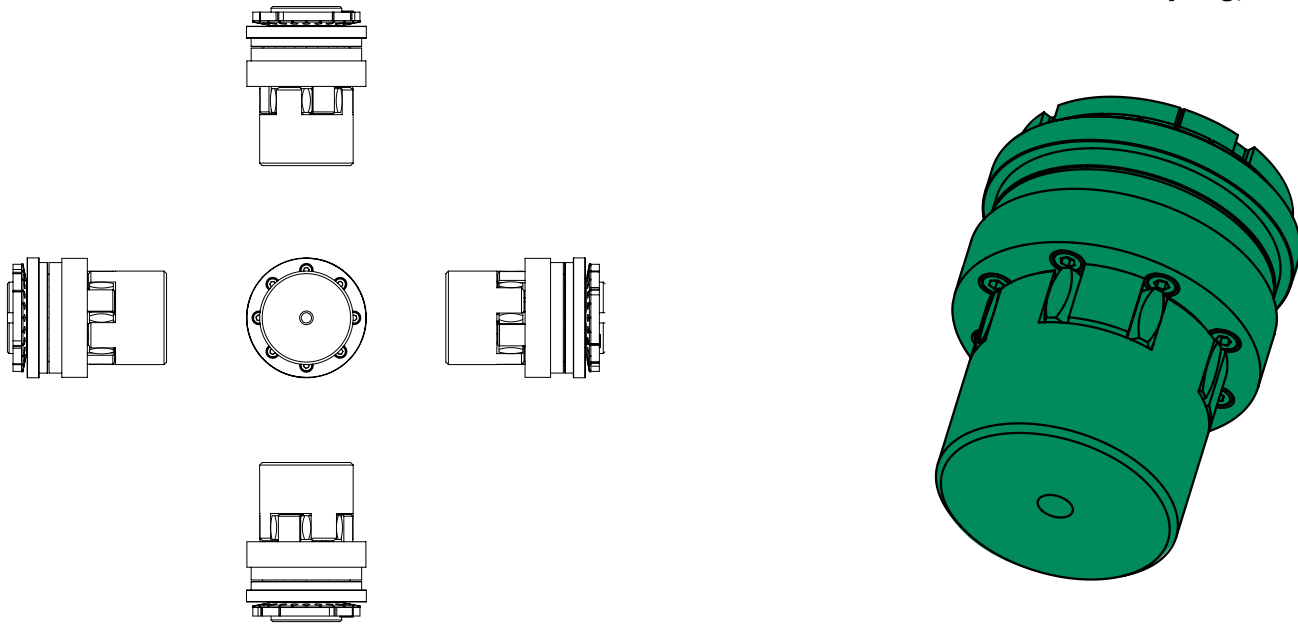
*Ts (Nm) Clamping hub screw tightening torque

ZBC Type R Coupling Side	Available Bore Sizes/Transmissible Torque Coupling Side (mm/Nm)																				Ts Nm					
	6	8	10	11	14	15	16	19	20	24	25	28	30	32	35	38	40	42	45	48		50	55			
25					48	67	74	72	90	97	112	120	143													6
30						142	154	189	188	237	250	280	307	310	353	389										6
40										269	337	356	398	436	442	501	533	572	585	644						10
50											399	445	506	470	566	581	630	647	728	836	858					35
60												775	819	955	999	1090	1091	1230	1334	1381	1540					69

*Ts (Nm) Shrink disc screws tightening torque

ZBC Zero Backlash Torque Limiters – Type T

with Flexible Coupling, Pilot Bored



Arrangement Possibilities

Stop Switch

Arrangement Possibilities				ZBC														Stop Switch				
Range	Type			Size	Disc Springs		Torque Limiter Side (mm)				Coupling Side (mm)						Type	Description				
	Pre-Bored	with Cone Clamping Element	Form		Code	Layout	H-K-M-T		J-L-N-P-R		M		N		P				R		T	
							Min	Max	Min	Max	Min	Max	Min	Max	Min	Max			Min	Max	Min	Max
ZBC Quick Guard	H	J	Basic Type	25	S-Light	1	8	20	10	25	8	25***	10	20	10	28	15	28	8	28	A	Mechanical
ZBC Synchronous	K	L	for Large Drives	30	M-Medium	2	10	30***	15	30	11	35	19	30	19	38	19	38	10	38	B	Proximity sensor
NBC* Quick Guard	M**	N**-P**-R**	with Coupling	40			12	35***	19	40	11	50***	15	42	20	45	20	45	12	45	C	Proximity sensor ext. transmitt
NBC* Synchronous				50			16	45***	32	50	15	50***	24	42	28	48	28	50	14	55		
				60	LL-Heavy	4	22	50	32	60	16	65	32	60	25	55	30	55	15	60		

*Only in the form H-K-J-L

** Only in the range ZBC

*** d max with keyway seat according to DIN 6885/3

Technical Characteristics

ZBC																	
Disengagement Torque (Nm)				Coupling Type													
Size	Disc Springs			Size	Couplings Nominal Torque			Misalignments									Max Speed n/1'
	S	M	LL		M-N	P-R 92 Shore A	P-R 98 Shore A	M-N			P-R 92 Shore A			P-R 98 Shore A			
								Δ ax mm	Δ rad mm	Δ ang (°)	Δ ax mm	Δ rad mm	Δ ang (°)	Δ ax mm	Δ rad mm	Δ ang (°)	
25	3-14	6-28	13-56	53	70	70	120	0.4	—	1	1.4	0.14	1	1.4	0.10	0.90	4000
30	9-35	18-70	40-140	72	180	190	320	0.5	—	1	1.5	0.15	1	1.5	0.11	0.90	3000
40	19-65	38-130	78-260	72-89	180-360	380	650	0.5-0.6	—	1	1.8	0.17	1	1.8	0.12	0.90	2500
50	35-110	80-220	160-440	89	430	530	900	0.6	—	1	2.0	0.19	1	2.0	0.14	0.90	2000
60	80-185	160-370	320-740	118	790	620	1050	0.8	—	1	2.1	0.23	1	2.1	0.16	0.90	1200

How to order:

ZBC Quickquard Type R – Size 50 – Springs LL – Ø40 – Ø 40 Order Code: R50LL40B+K

NBC Synchron Type J – Size 16 – Springs L – Ø40 – Ø 40 Order Code: J16L14B+K

Bibbigard® Torque Limiters

Bibbigard® Torque Limiter

Bibbigard® Torque Limiters eliminate the problems associated with slow reaction electrical overload devices, shear pins which give a wide release torque variation, or slip clutches which may rapidly overheat.



Bibbigard® products can save you money – the initial cost is frequently more than covered by the saving in down-time even on the first overload.

- Protect plant and transmission against overload.
- Full bi-directional operation in any plane.
- All metal totally-enclosed construction.
- Virtually no maintenance.
- Provide years of trouble-free service.
- Competitive first cost.

Many of our torque limiters have been purpose designed and manufactured to meet customers' specific operating requirements. If you have any specific requirements please contact Bibby Turboflex for assistance.

Boring and Keywaying

Standard bores and keyways are manufactured to H8 and Js9 tolerances to BS4500: 1969, both in Metric and Imperial dimensions.

Maintenance

During assembly all units are packed with a 3% Molybdenum Disulphide (Mo S₂) grease BP Energrease L21 M. Because of their uniquely fully enclosed design all units need only be stripped and re-packed with grease every two years. However, under extremely adverse conditions of environment and duty please consult Bibby Turboflex.

Running in Oil

All Bibbigard units can be run in oil if required without affecting performance.

Typical Applications

Manual Reset

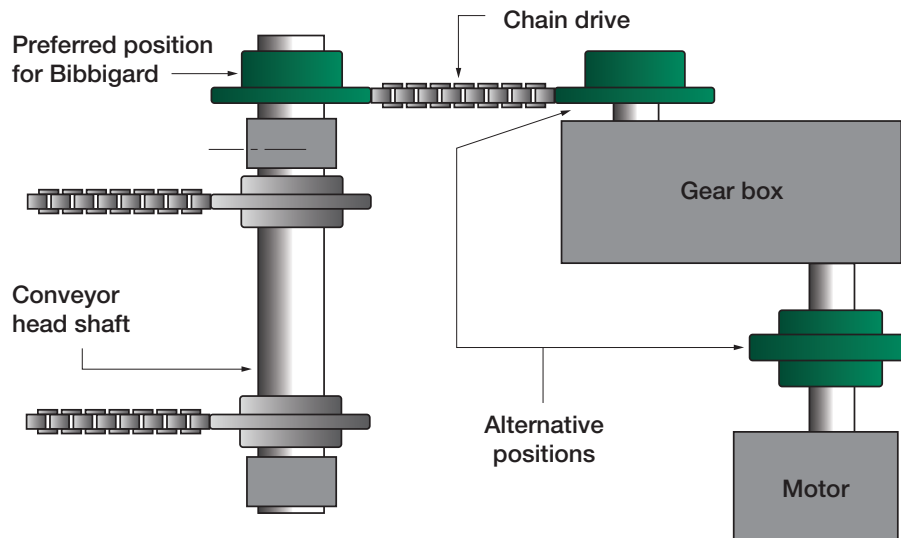
Type A: Conveyors, machine tools, woodworking and paper machinery, pumps, textile machinery, test rigs, packaging machinery, quarrying plant, Post Office machinery, extruders, automatic furnaces and ovens.

Automatic Reset

Type B & C: Conveyors, bakery equipment, indexing drives, packaging, bottling and labeling machines, printing presses and special-purpose machines.

Power Take-Off Protection

Type FV: Vane, lobe, screw and centrifugal pumps. Vane and lobe blowers, please contact Bibby Turboflex for further details.



Torque Limiter Selection

Types A, B, & C

For release torques up to 5500Nm

Decide on manual or automatic reset. Choose a position as near as possible to the expected overload (see diagram).

Calculate the torque setting required at that position. This can be determined from the motor power, r.p.m. and gearing ratio – the driven load – or from the maximum permissible torque for drive components such as crushing stress on keys. **It is the weakest component that requires protection.** Make allowance for motor starting torques (generally twice normal running torque).

Having calculated an approximate setting for the release torque, final adjustments can be made on site.

Check from tables that shaft, sprocket or pulley, etc. can be accommodated.

Selection Example

Model 1000 Type AF

This specifies:

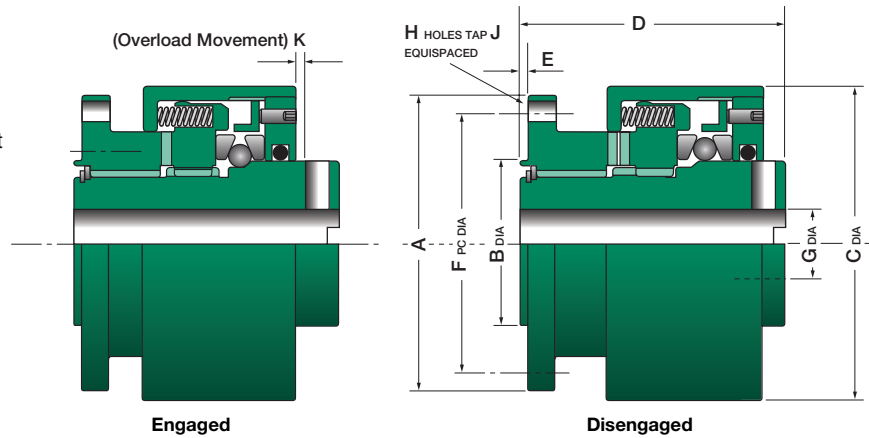
Manual reset clutch. Capable of 1000 lbf ft torque complete with flexible coupling for shaft-to-shaft application.

To enable us to deal efficiently with your enquiry, we ask you to supply the following facts:

- **Type of application and environment conditions**
- **R.P.M. of drive**
- **Release torque required**
- **Length and diameters of shafts**
- **Space available between shaft ends**
- **Overall space available – length and diameter limitations**
- **Types and sizes of accessories, i.e. sprocket, pullet, etc.**
- **Any special requirements such as shifter flange, neoprene seals, etc.**

Bibbigard® Type AB – Manual Reset

Release Torque:
14 to 5500Nm, 10 to 4000 lbf ft



Dimensions

Model	Release Torque		⑤ Max Speed rpm	Dimensions in mm and (inches)											Weight kg (lb)
	Min ① Nm (lbf ft)	Max Nm (lbf ft)		A	③ B	C	D	E	F	G max	② G min	H	J	K	
100AB	14 (10)	140 (100)	1500	90 (3.54)	55 (2.16)	93.5 (3.68)	85 (3.35)	3 (0.118)	75 (2.95)	25.4 (1.00)	12.7 (0.50)	6	M8	6.35 (0.25)	2.95 (6.5)
500AB	70 (50)	700 (500)	1500	135 (5.31)	80 (3.15)	123.8 (4.875)	90 (3.54)	3 (0.118)	100 (3.94)	40 (1.57)	19.05 (0.75)	6	M10	6.35 (0.25)	5.59 (12.3)
1000AB	475 (350)	1356 (1000)	1500	180 (7.09)	110 (4.33)	177.8 (7.00)	150 (5.91)	3 (0.118)	150 (5.91)	57 (2.24)	31.75 (1.25)	6	M12	6.35 (0.25)	17 (37)
2000AB	610 (450)	2712 (2000)	1500	235 (9.25)	150 (5.91)	228.6 (9)	150 (5.91)	3 (0.118)	195 (7.68)	77 (3.03)	38.1 (1.50)	6	M16	6.35 (0.25)	30 (66)
4000AB	815 (600)	5500 (4000)	1000	305 (12)	200 (7.874)	305 (12)	205 (8.07)	3 (0.118)	270 (10.63)	102 (4.00)	50.8 (2.00)	6	M20	8.13 (0.32)	84 (185)

① Lower release torques can be achieved. Consult Bibby Turboflex.

② Dimensions G mm. and axial movement on overload also apply to Types AR, AF, AS and AP.

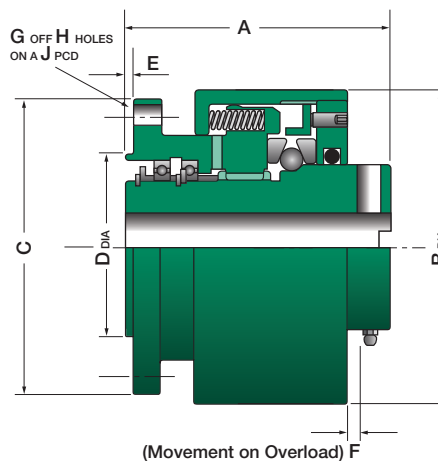
③ Tolerance on spigot diameter B is f7 to BS 4500:1969.

④ Standard tolerances on keyways is Js9 and on bores H8 to BS 4500:1969.

⑤ Applicable to all variants except AP Type.

Bibbigard® Type AB/BM

Type AB with ball bearing mounting

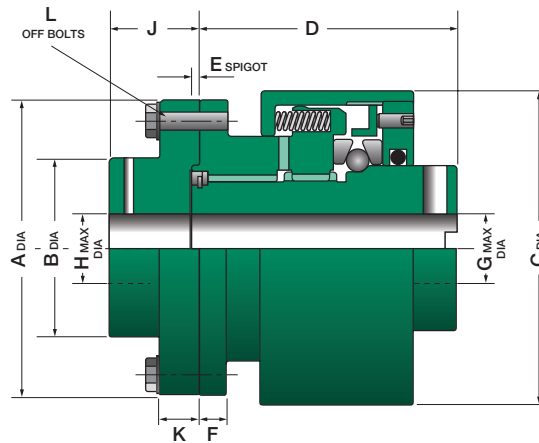


Dimensions

Model	Max Bore	⑤ Max Speed rpm	Dimensions in mm									
			A	B	C	D	E	F	G	H	J	
100AB/BM	25	4500	85	94	90	54.97/54.94	3	6.35	6	M8	75	
500AB/BM	40	3600	90	124	120	79.97/79.94	3	6.35	6	M10	100	
1000AB/BM	57	2400	150	178	180	109.96/109.93	3	6.35	6	M12	150	
2000AB/BM	79	1800	150	229	235	149.96/149.92	3	6.35	6	M16	195	

Bibbigard® Type AR

Type AB combined with rigid coupling

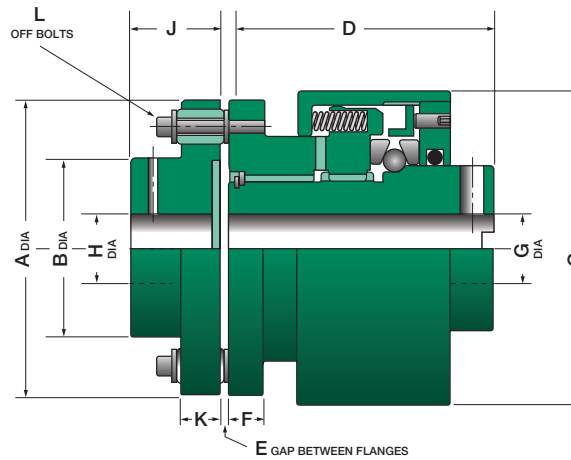


Dimensions

Model	Release Torque		Dimensions in mm and (inches)											Weight kg (lb)
	Min Nm (lbf ft)	Max Nm (lbf ft)	A	B	C	D	E	F	G	H	J	K	L	
100AR	14 (10)	140 (100)	90 (3.54)	60 (2.36)	93.5 (3.68)	85 (3.35)	3 (0.118)	10 (0.39)	25.4 (1.00)	40 (1.57)	40 (1.57)	15 (0.59)	6	5.7 (12.5)
500AR	70 (50)	700 (500)	120 (4.72)	75 (2.95)	123.8 (4.875)	90 (3.54)	3 (0.118)	13 (0.51)	40 (1.57)	50 (1.97)	40 (1.57)	15 (0.59)	6	10 (22)
1000AR	475 (350)	1356 (1000)	180 (7.09)	125 (4.92)	177.8 (7.00)	150 (5.91)	3 (0.118)	22 (0.87)	57 (2.24)	85 (3.35)	65 (2.56)	25 (0.98)	6	25 (54)
2000AR	610 (450)	2712 (2000)	235 (9.25)	165 (6.50)	228.6 (9.00)	150 (5.91)	3 (0.118)	22 (0.87)	77 (3.03)	110 (4.33)	95 (3.74)	25 (0.98)	6	49 (108)
4000AR	815 (600)	5500 (4000)	305 (12)	215 (8.46)	305 (12)	205 (8.07)	3 (0.118)	25 (0.98)	102 (4.00)	140 (5.51)	115 (4.53)	30 (1.18)	6	125 (275)

Bibbigard® Type AF

Type AB combined with Bibby Eflex flexible coupling



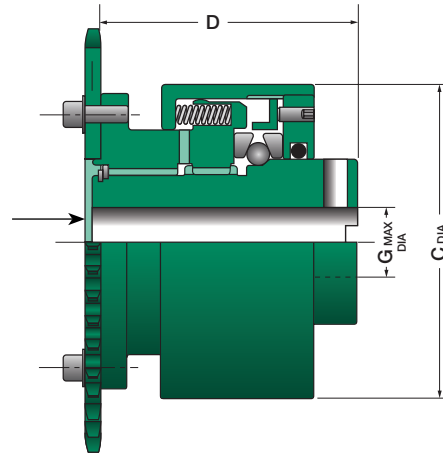
Dimensions

Model	Release Torque		Dimensions in mm and (inches)											Weight kg (lb)	
	Min Nm (lbf ft)	Max Nm (lbf ft)	A	B	C	D	E	F	G	H max	H min	J	K		L
100AF	14 (10)	140 (100)	145 (3.54)	80 (3.15)	93.5 (3.68)	85 (3.35)	5 (0.20)	15 (0.59)	25.4 (1.00)	58 (1.38)	16 (0.63)	45 (1.77)	25 (0.98)	3	4.12 (9.17)
500AF	70 (50)	700 (500)	195 (5.70)	120 (4.72)	123.8 (4.875)	95 (3.74)	5 (0.20)	20 (0.79)	40 (1.57)	90 (2.28)	32 (0.63)	70 (2.76)	30 (1.18)	3	10.4 (23)
1000AF	475 (350)	1356 (1000)	195 (7.68)	120 (4.72)	177.8 (7.00)	150 (5.90)	5 (0.20)	25 (0.98)	57 (2.24)	90 (3.54)	32 (1.26)	70 (2.76)	30 (1.18)	6	33 (73)
2000AF	610 (450)	2712 (2000)	240 (9.45)	150 (5.90)	228.6 (9.00)	150 (5.90)	5 (0.20)	25 (0.98)	77 (3.03)	110 (4.33)	42 (1.65)	85 (3.39)	35 (1.38)	8	58 (127)
4000AF	815 (600)	5500 (4000)	320 (11.42)	180 (7.09)	305 (12)	205 (8.07)	6 (0.24)	40 (1.57)	102 (4.00)	130 (5.12)	60 (2.36)	120 (4.72)	50 (1.97)	8	102 (227)

Bibbigard® Type AS

Type AB combined with chainwheel

Duplex and Triplex sprockets will usually be supplied bushed to run on customer's shaft for additional support.

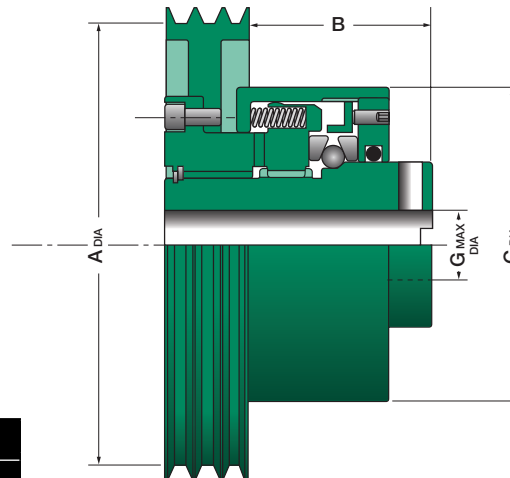


Dimensions

Model	Release Torque		Dimensions in mm and (inches)			Smallest Standard Sprocket (number of teeth)				
	Min Nm (lbf ft)	Max Nm (lbf ft)	C	D	G	3/8" pitch	1/2" pitch	5/8" pitch	3/4" pitch	1" pitch
100AS	14 (10)	140 (100)	93.5 (3.68)	82 (3.23)	25.4 (1.00)	38	26	21	18	15
500AS	70 (50)	700 (500)	123.8 (4.875)	87 (3.43)	40 (1.57)	57	33	27	23	18
1000AS	475 (350)	1356 (1000)	177.8 (7.00)	147 (5.79)	57 (2.24)		48	39	38	26
2000AS	610 (450)	2712 (2000)	228.6 (9.00)	147 (5.79)	77 (3.03)			50	57	38
4000AS	815 (600)	5500 (4000)	305 (12)	202 (7.95)	102 (4.00)				57	57

Bibbigard® Type AP

Type AB combined with pulley

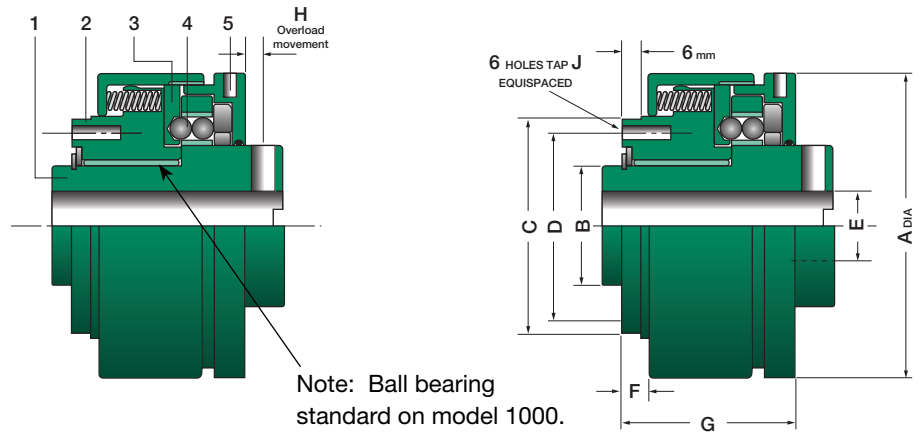


Dimensions

Model	Release Torque		Max Speed	Dimensions in mm and (inches)			
	Min Nm (lbf ft)	Max Nm (lbf ft)		A	B	C	G
100AP	14 (10)	140 (100)	Dependant upon Pulley Diameter	115 (4.53)	Dimension to suit Customers Pulley Requirements	93.5 (3.68)	25.4 (1.00)
500AP	70 (50)	700 (500)		155 (6.10)		123.8 (4.875)	40 (1.57)
1000AP	475 (350)	1356 (1000)		210 (8.27)		177.8 (7.00)	57 (2.24)
2000AP	610 (450)	2712 (2000)		270 (10.63)		228.6 (9.00)	77 (3.03)

Bibbigard® Type B – Automatic Reset

Release Torque:
70 to 1356Nm, 50 to 1000 lbf ft



Note: Ball bearing standard on model 1000. Ball bearing or bronze bush on model 550 depending on applicator requirement.

Technical Features

- Instant release at pre-set torque
- Smooth hold-out for one revolution
- Means for motor switch-off
- Automatic self-engagement on restart without loss of phasing
- Also available fitted with Pulley (BP)
- Rigid coupling (BR)

Dimensions

Model	Release Torque		① Max Speed rpm	Dimensions in mm and (inches)										Weight kg (lb)
	Min Nm (lbf ft)	Max Nm (lbf ft)		A	B	C	D	E max	E min	F	G	① H	J	
550B	68 (50)	745 (550)	500	145 (5.70)	67 (2.63)	106f7 (4.25)	95 (3.74)	44 (1.75)	19 (0.75)	15 (0.59)	100 (3.93)	3 (0.12)	M8	8 (17.6)
1000B	338 (250)	1356 (1000)	500	205 (8.07)	85 (3.34)	142f7 (5.66)	125 (4.92)	57 (2.25)	32 (1.25)	20 (0.78)	150 (5.9)	4 (0.16)	M12	25 (55)

① Applicable to all variants

Note: Type B clutches should always be used with a limit switch to bring the drive to rest within a few revolutions thus preventing possible damage by continual releasing and resetting.

Normal Running

The drive is transmitted between the hub flange (1) and the drive flange (2) by the balls (4), spring-loaded into the pockets on the ball detent ring (3) secured by dowels.

Disengagement

On overload, the balls are displaced axially through the hub flange, further compressing the springs. Once out of their pockets, the balls roll on the face of the hub flange for one revolution before re-engaging and synchronising the drive.

Torque Adjustment

The release torque is set by tightening nut (5) thus increasing the spring pressure. After setting, the nut is locked by grub screw.

Installation

Clutches can be supplied pilot bored or may be finish bored and keywayed. The hub may be fitted to either shaft and should be axially constrained against a shoulder to resist the resetting force and locked by means of a grub screw onto the shafts key. The drive flange may be connected to a flexible coupling or can carry a sprocket or pulley.

Application

This type of protection is ideally suited to drives where it is essential to restart in the correct sequence and where access for manual resetting is not available.

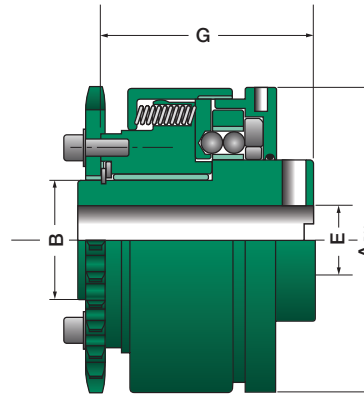
Bibbigard® Type BS

Type B combined with chainwheel

Ball bearing standard on Model 1000. Ball bearing or bronze bush on Model 550 depending on application requirement.

Duplex and Triplex sprockets will usually be supplied bushed to run on customer's shaft for additional support.

For sprockets smaller than listed, an adaptor is used. Details on request.

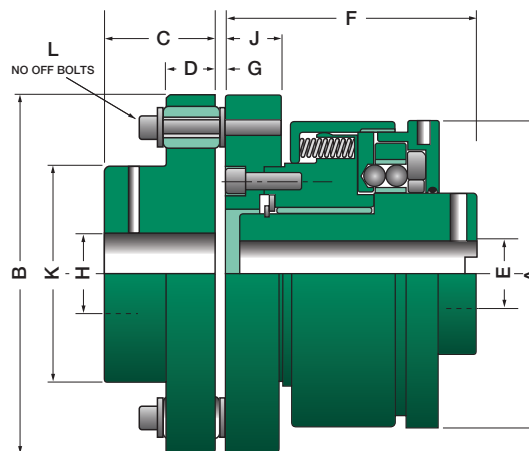


Dimensions

Model	Release Torque		Dimensions in mm and (inches)					Smallest Standard Sprocket (number of teeth)				
	Min Nm (lbf ft)	Max Nm (lbf ft)	A	B	E max	E min	G	3/8" pitch	1/2" pitch	5/8" pitch	3/4" pitch	1" pitch
550BS	68 (50)	745 (550)	145 (5.70)	67 (2.63)	44 (1.75)	19 (0.75)	85 (3.34)	40	31	26	22	18
1000BS	338 (250)	1356 (1000)	205 (8.07)	80 (3.14)	57 (2.25)	32 (1.25)	130 (5.11)	51	40	32	28	22

Bibbigard® Type BF

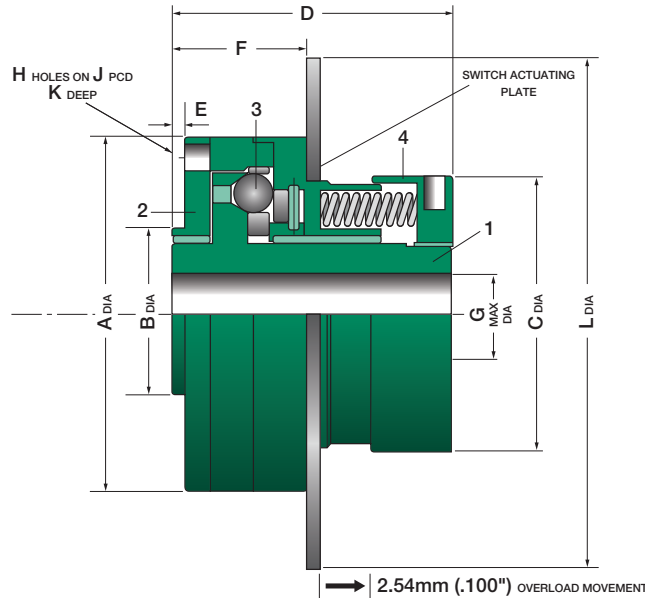
Type AB combined with Bibby Eflex flexible coupling



Dimensions

Model	Release Torque		Dimensions in mm and (inches)												Weight kg (lb)	
	Min Nm (lbf ft)	Max Nm (lbf ft)	A	B	C	D	E max	E min	F	G	H max	H min	J	K		L
550BF	68 (50)	745 (550)	195 (7.67)	145 (5.70)	70 (2.76)	25 (0.98)	44 (1.75)	19 (0.75)	105 (4.13)	5 (0.19)	58 (2.28)	16 (0.63)	22 (0.87)	120 (4.72)	4	23 (51)
1000BF	338 (250)	1356 (1000)	205 (8.07)	195 (7.67)	65 (2.56)	30 (1.18)	57 (2.25)	32 (1.25)	155 (6.10)	5 (0.19)	90 (3.54)	32 (1.26)	25 (1.0)	120 (4.72)	6	40 (88)

Automatic Reset Release Torque:
14 to 210Nm, 10 to 150 lbf ft



Technical Features

- Instant release at pre-set torque
- Smooth hold-out for one revolution
- Means for motor switch-off
- Automatic self-engagement on restart without loss of phasing

Dimensions

Model	① Release Torque		⑤ Max Speed rpm	Dimensions in mm and inches											Weight kg (lb)
	Min Nm (lbf ft)	Max Nm (lbf ft)		A	② B	C	D	E	F	G	H	J	K	L	
20CB	14 (10)	48 (35)	250	76 (2.98)	35 (1.38)	60 (2.37)	62 (2.44)	2.5 (0.098)	31 (1.23)	16 (0.63)	3- M6	66 (2.60)	8 (0.31)	120 (4.72)	1.36 (3)
150CB	42 (30)	210 (150)	250	94 (3.70)	54 (2.13)	87 (3.44)	66 (2.60)	3 (0.118)	34 (1.33)	28 (1.13)	6- M6	84 (3.31)	11 (0.44)	130 (5.11)	2.80 (6.20)

① Lower release torques can be achieved. Consult Bibby Turboflex.

② Tolerance on spigot diameter B is f7 to BS 4500:1969.

③ For higher release torques use Type B on page 47.

④ Standard tolerances on keyways is Js9 and on bores H8 to B5 4500:1969.

⑤ Applicable to all variants.

Normal Running

The drive is transmitted between the hub flange (1) and the housing (2) by the balls (3), spring-loaded into the pockets on the flange face.

Disengagement

On overload, the balls are displaced axially through the housing, further compressing the springs. Once out of their pockets, the balls roll on the face of the hub flange for one revolution before re-engaging and synchronising the drive.

Torque Adjustment

The release torque is set by tightening nut (4) thus increasing the spring pressure. After setting, the nut is locked with a grub screw and plug.

Installation

Clutches can be supplied pilot bored or finish bored and keywayed. The hub may be fitted to either shaft and should be located against a shoulder to resist the resetting spring force and locked by means of grub screw in the hub flange. The drive flange may be replaced by a sprocket, pulley, etc., or connected to a coupling.

Application

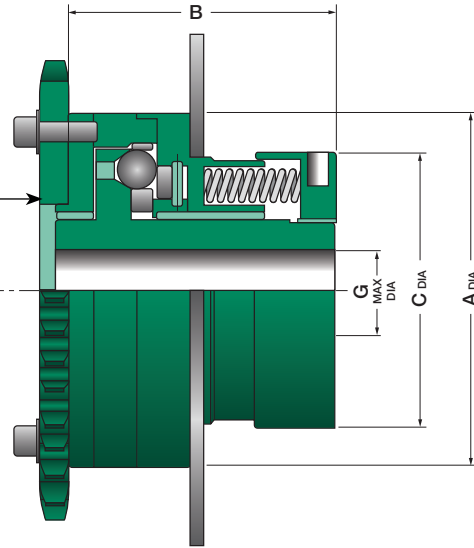
This type of protection is ideally suited to drives such as wrapping and packing machinery where it is essential to restart in the correct sequence and where access for manual resetting is not available.

Type C clutches should always be used with a limit switch to bring the drive to rest within a few revolutions thus preventing possible damage by continual releasing and resetting.

Bibbigard® Type CS

Type CB combined with sprocket

Duplex and Triplex sprockets will usually be supplied bushed to run on customer's shaft for additional support.



For sprockets smaller than listed, an adaptor is used. Details on request.

Dimensions

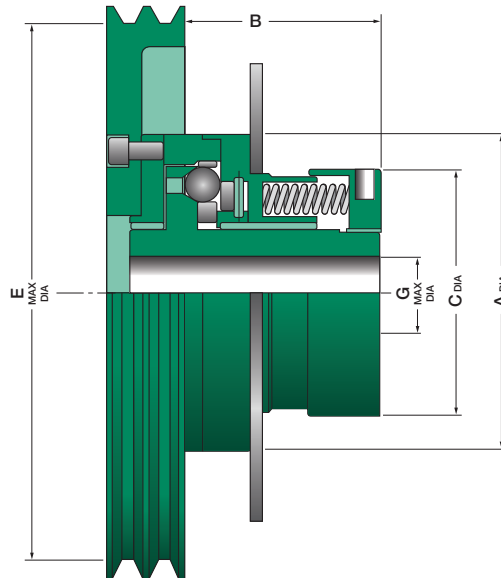
Model	Release Torque		Dimensions in mm and (inches)				Smallest Standard Sprocket (number of teeth)				
	Min Nm (lbf ft)	Max Nm (lbf ft)	A	B	C	G max	3/8" pitch	1/2" pitch	5/8" pitch	3/4" pitch	1" pitch
20CS	14 (10)	48 (35)	76 (2.98)	59.5 (2.34)	60 (2.37)	16 (0.625)	30	22	19	17	14
150CS	42 (30)	210 (150)	94 (3.70)	63 (2.48)	87 (3.44)	28 (1.125)	38	28	23	20	15

Bibbigard® Type CP

Type CB combined with pulley

Pulleys to suit the following belts can also be supplied:- standard 'V' section, flat, poly, 'V', and timing or toothed.

For pulleys smaller than listed, an adaptor is used. Details available on request.

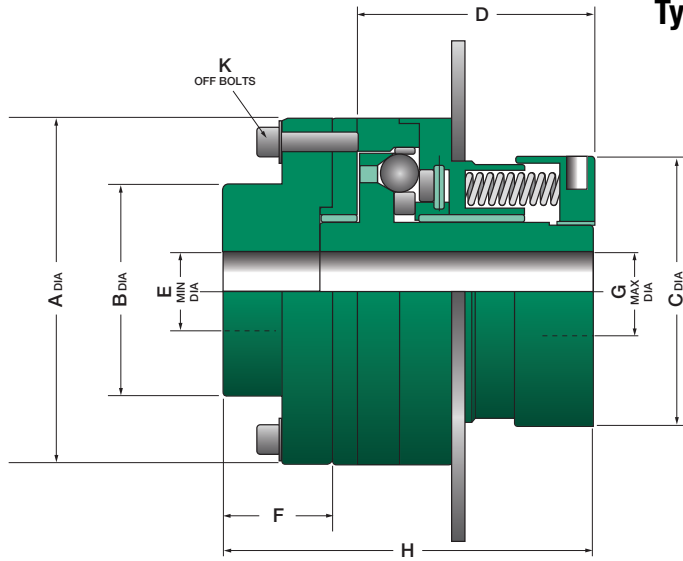


Dimensions

Model	Release Torque		Dimensions in mm and (inches)				
	Min Nm (lbf ft)	Max Nm (lbf ft)	A	B	C	E	G
20CP	14 (10)	48 (35)	76 (2.98)	to suit	60 (2.37)	102 (4.00)	16 (0.625)
150CP	42 (30)	210 (150)	94 (3.70)	to suit	87 (3.44)	124 (4.875)	28 (1.125)

Bibbigard® Type CR

Type CB combined with rigid coupling



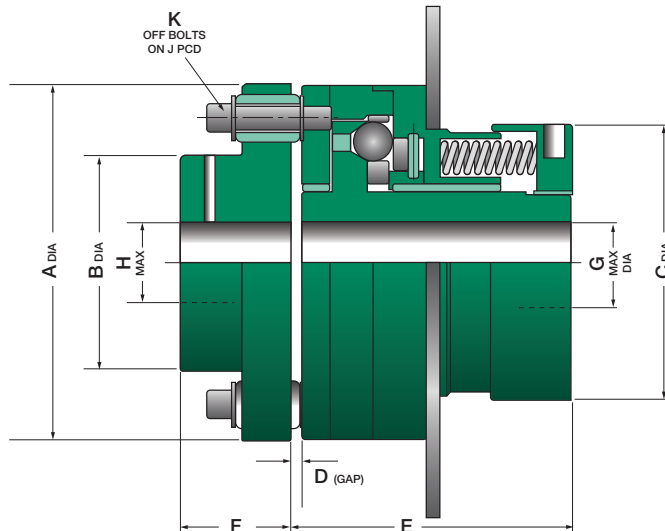
This arrangement will not accommodate any misalignment.

Dimensions

Model	Release Torque		Dimensions in mm and (inches)									Weight kg (lb)
	Min Nm (lbf ft)	Max Nm (lbf ft)	A	B	C	D	E	F	G	H	K	
20CR	14 (10)	48 (35)	76 (2.99)	55 (2.17)	60 (2.37)	62 (2.44)	35 (1.38)	38 (1.50)	16 (0.63)	98 (3.85)	3	2 (4.5)
150CR	42 (30)	210 (150)	94 (3.70)	71 (2.80)	87 (3.44)	66 (2.60)	44 (1.73)	51 (2.00)	28 (1.10)	114 (4.48)	6	4.3 (9.5)

Bibbigard® Type CF

Type CB combined with Bibby Eflex flexible coupling



Dimensions

Model	Release Torque		Dimensions in mm and (inches)									Weight kg (lb)	
	Min Nm (lbf ft)	Max Nm (lbf ft)	A	B	C	D	E	F	G	H	J		K
20CF	14 (10)	48 (35)	76 (2.99)	35 (1.38)	60 (2.36)	2 (0.08)	62 (2.44)	29 (1.14)	16 (0.63)	20 (0.79)	72 (2.83)	2	2.52 (5.54)
150CF	42 (30)	210 (150)	94 (3.70)	48 (1.89)	87 (3.43)	3 (0.12)	66 (2.60)	40 (1.57)	28 (1.10)	28 (1.10)	90 (3.54)	4	5.18 (11.39)

Premier Industrial Company Leading Brands

OTHER PRODUCT SOLUTIONS FROM **REGAL REXNORD**

Our comprehensive product offerings include various types of clutches and brakes, overrunning clutches, engineered bearing assemblies, gearing and gear motors along with linear motion products, belted drives, couplings, limit switches, precision motors, drives & controls, and miniature motors. With thousands of product solutions available, Regal Rexnord provides true single source convenience while meeting specific customer requirements. Many major OEMs and end users prefer Regal Rexnord products as their No. 1 choice for performance and reliability.

WWW.REGALREXNORD.COM



Electric Clutches & Brakes

Stromag
Warner Electric



Precision Motors & Automation

Kollmorgen



Heavy Duty Clutches & Brakes

Industrial Clutch
Stromag
Svendborg Brakes
Twiflex
Wichita Clutch



Miniature Motors

Portescap



Overrunning Clutches

Formsprag Clutch
Marland Clutch
Stieber



Linear Systems

Thomson



Engineered Couplings & Universal Joints

Ameridrives
Bibby Turboflex
Guardian Couplings
Huco
Lamiflex Couplings
Stromag
TB Wood's



Specialty Components

Kilian
Stromag
TB Wood's



Gear Drives & Gear Motors

Bauer Gear Motor
Boston Gear
Delroyd Worm Gear
Nuttall Gear

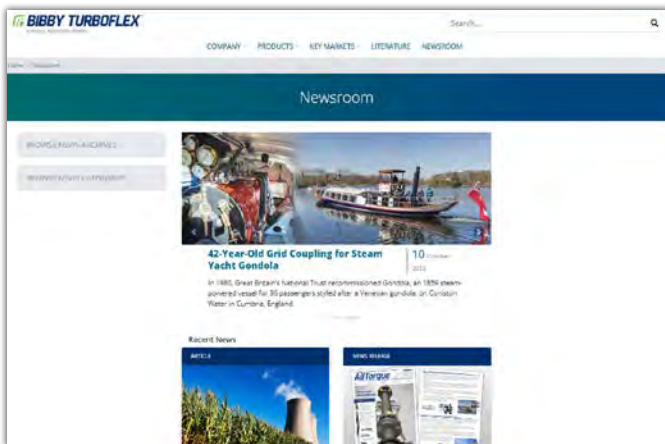
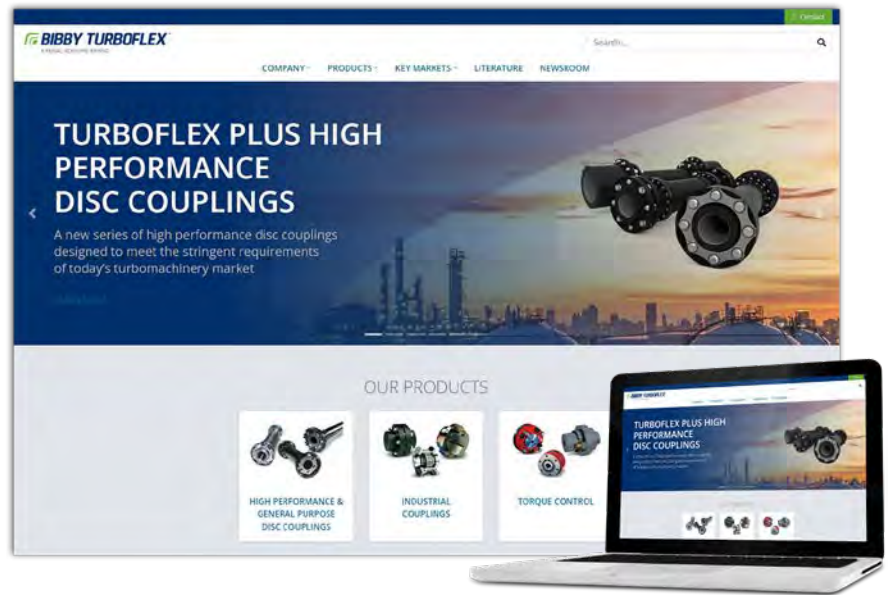
Bibby Turboflex Online Resources

VISIT US ON THE WEB AT
WWW.BIBBYTURBOFLEX.COM

Everything Bibby Turboflex

From the Bibby Turboflex homepage you can explore all of our resources and visit our key market portals to find solutions for your specific needs.

WWW.BIBBYTURBOFLEX.COM



Get Connected

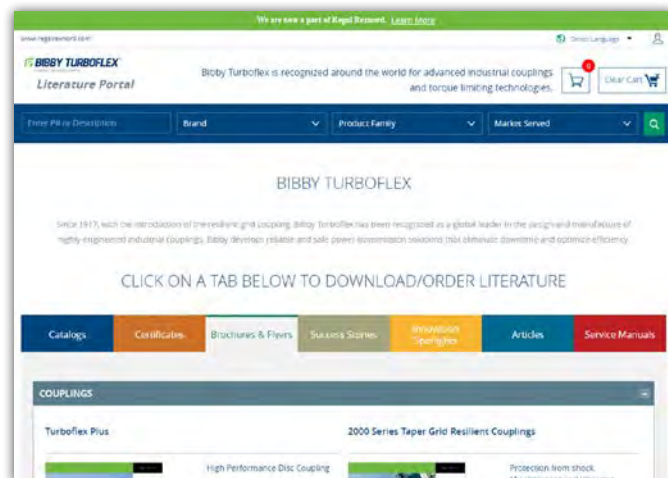
The Bibby Turboflex Newsroom makes it quick and easy for you to get the news you need when you need it. From new literature releases to trade show schedules, the news is at your fingertips 24 hours a day.

WWW.BIBBYTURBOFLEX.COM/NEWSROOM

Bibby Turboflex Literature

Conveniently download and request Bibby Turboflex's latest catalogs, brochures, service manuals and more on the Literature Portal. Find the latest product information to meet your power transmission requirements by going to Bibby Turboflex's brand website and clicking on the Literature tab.

WWW.ALTRALITERATURE.COM



Bibby Turboflex Facilities

Europe

United Kingdom

Bibby Turboflex, Unit 16
Victoria Spring Business Park
Wormald St, Liversedge
WF15 6RA - England.
+44(0) 1924 460801

*Disc, Gear, Grid Couplings,
Overload Clutches*



**Scan to see all
the brands of
Regal Rexnord**

Neither the accuracy nor completeness of the information contained in this publication is guaranteed by the company and may be subject to change in its sole discretion. The operating and performance characteristics of these products may vary depending on the application, installation, operating conditions and environmental factors. The company's terms and conditions of sale can be viewed at <https://www.bibbyturboflex.com/company/terms-and-conditions>. These terms and conditions apply to any person who may buy, acquire or use a product referred to herein, including any person who buys from a licensed distributor of these branded products.

©2023 by Bibby Turboflex LLC. All rights reserved. All trademarks in this publication are the sole and exclusive property of Bibby Turboflex LLC or one of its affiliated companies.



A REGAL REXNORD BRAND

www.bibbyturboflex.com