

EC / EB Series Electro Clutches and Brakes

Shaft Mounted Clutches and Brakes

Shaft Mounted Clutches

EC Series

All the features of an electric clutch in a convenient, preassembled package. Mounts on any through shaft or double shafted motor. Easy-to-assemble with standard sheaves, pulleys, gears and sprockets.

Available in a wide range of bore sizes. Shaft extension makes pulley or sprocket installation easy.

Shaft Mounted Brakes

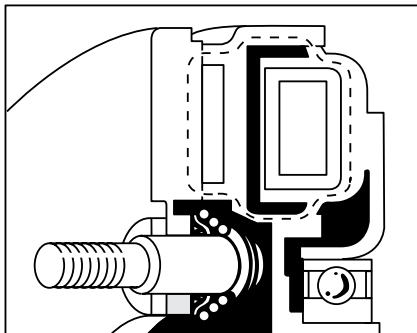
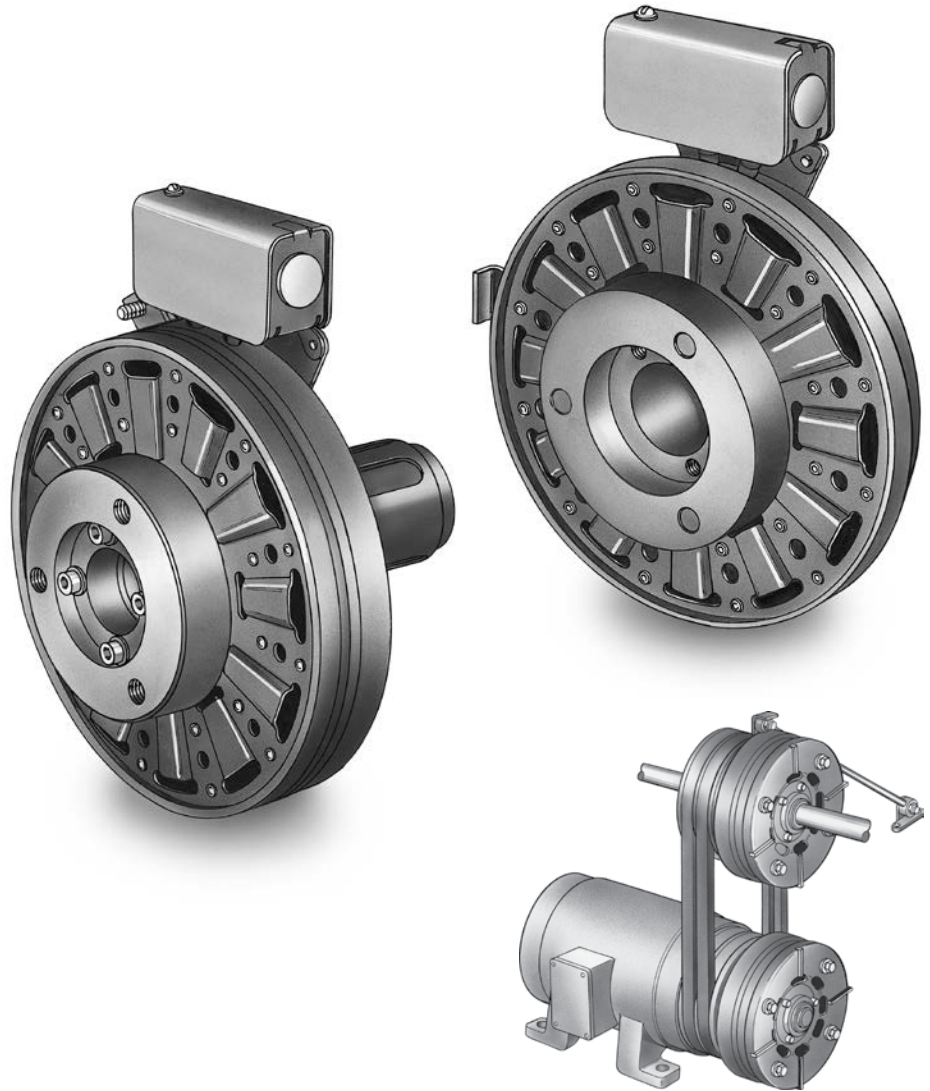
EB Series

Electro Brakes mount directly on a motor or through shaft for basic braking functions.

Torque arm feature makes Electro Brakes easy to install on any through shaft or double shaft motor.

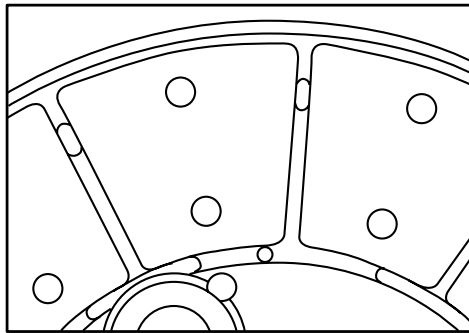
Segmented and fluted armature disc provides maximum cooling of friction surfaces.

- Six sizes of clutches and brakes
- 16 lb. ft. to 465 lb. ft. torque range
- Preassembled. Factory aligned.
- Mounting flexibility
- Simple to install



Brushless Design

Warner Electric designed electromagnetic circuit eliminates brushes.



Heat Dissipation

Specially designed segmented armature disc is segmented and fluted to provide maximum cooling of friction surfaces. Automatically adjusts for wear.

Motor mounted Electro Clutch used in combination with an Electro Brake on a through shaft installation.