

Stromag

Warner Electric

Twiflex

Bauer Gear Motor

Ameridrives

Power Transmission Solutions for the North American Overhead Crane & Hoist Market



ALTRA INDUSTRIAL MOTION PROVIDES EXTREMELY RELIABLE COMPONENTS FOR CHALLENGING OVERHEAD CRANE AND HOIST APPLICATIONS

Altra Industrial Motion, a leading multinational designer and producer of advanced electromechanical power transmission components, has the technology and engineering capability to provide state-of-the-art drive and braking solutions for all configurations of overhead cranes and hoists. Altra's demonstrated expertise in this industry positions its multiple brands to meet the needs of this demanding market.

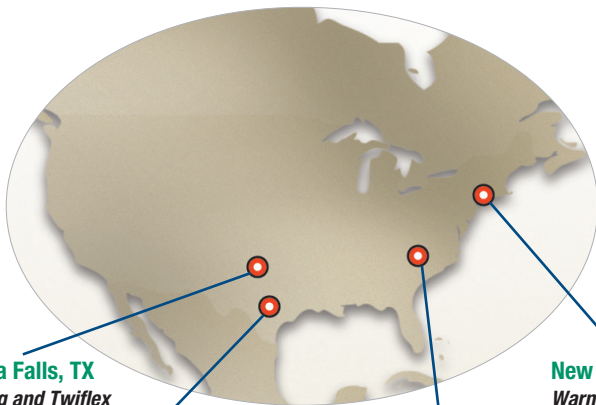
Extensive application experience

Our dedicated teams of market-focused engineering and manufacturing staff provide innovative solutions to the technical challenges faced by overhead crane and hoist manufacturers. We provide application and technical support from concept to completion.

Many of the products in our comprehensive offering can be customized to meet the specific requirements for unique crane and hoist designs.

Advanced testing and research

Altra companies have the capability to rapidly produce prototype units for test and evaluation by customers or by using our own computer-controlled testing equipment to simulate the operating conditions of a specific client-defined application.



Wichita Falls, TX
Stromag and Twiflex

San Marcos, TX
Ameridrives Couplings

Charlotte, NC
Bauer Gear Motor

New Hartford, CT
Warner Electric

Supporting the North American Crane Market

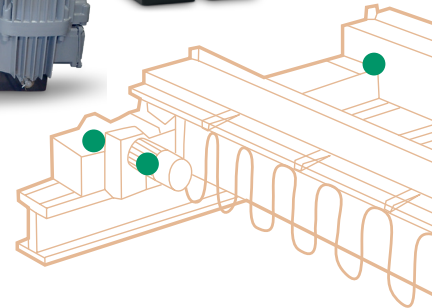
While Altra has engineering and manufacturing centers located around the world, our facilities in Texas, Connecticut and North Carolina are equipped to quickly provide our crane OEM and end user customers in North America with the components they need.

Altra thruster brakes, limit switches and many of our caliper disc brakes are assembled at our Wichita Falls, TX plant. The large site also serves as a brake spare parts center. Altra electrically released brakes, gear couplings and geared motors are manufactured or assembled at other US facilities.

Thruster Service Brakes

Stromag

- Used on hoist drum and travel drives
- SAB spring-applied drum brakes with 8800 lb.ft. max braking torque
- TDSB spring-applied disc brakes with 660 lb.ft. max braking torque
- AISE Rated



Caliper Disc Brakes

Stromag and Twiflex

- Parking and emergency stop on long travel motion and bridge drives
- Holding and emergency stop on hoist drives
- Electric, pneumatic and hydraulic actuation
- SH brake range with 75100 lbf. max braking force
- MXEA model with 1370 lbf. max braking force



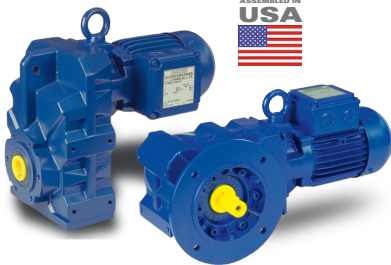
Amerigear Gear Couplings

Ameridrives

- Connects motor and gearbox on hoist drives, bridge drives, and long travel drives
- Torsional stiff design is ideal for positive engagement required in crane applications
- Torque capacity of over 1,000,000 in.lbs.

Individual components or complete packaged solutions for all types of crane applications

- Service and Emergency Brakes
- Thruster Brakes
- Motor Brakes
- Rail & Wheel Brakes
- Cardan Shafts
- Hydraulic Buffers
- Discs/Drums Couplings
- Gear and Barrel Couplings
- Electric and Hydraulic Power Units
- Geared Motors
- Rotary Limit Switches
- IoT Monitoring Systems



Gear Motors

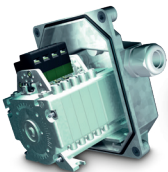
Bauer Gear Motor

- Used for travel and hoist drives
- BK Series bevel style
- BF Series shaft mounted style
- 18,500 Nm max torque
- Motor power up to 75 kW

Limit Switches and Buffers

Stromag

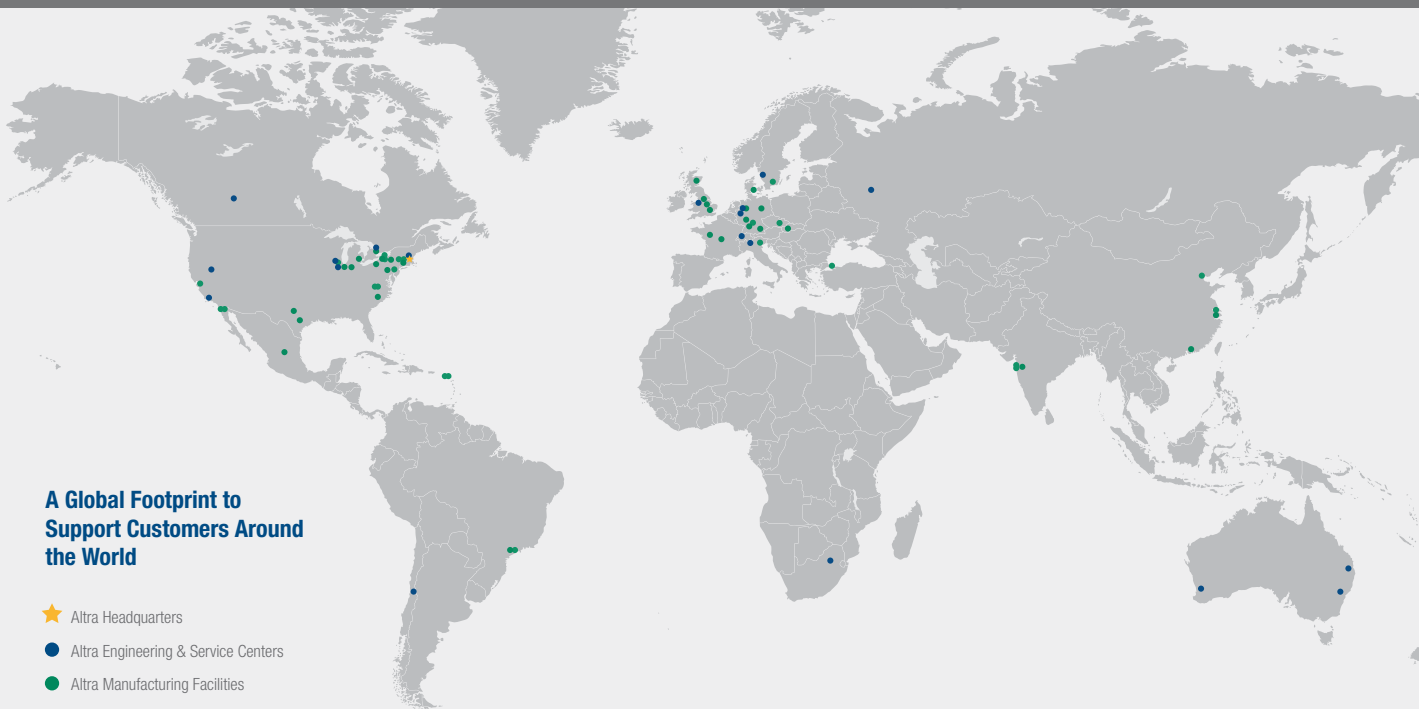
- Hydraulic buffers with a max power rating of 1000 kN used on travel drives
- Series 51 geared cam limit switches used on hoist drives
- Limit switches available in metal or plastic housings



Electrically Released Brakes

Warner Electric and Stromag

- Parking and emergency stop on travel drives
- Holding and emergency stop on hoist drives
- Typically used on cranes with torque capacity <10,000 Nm (7,325 ft. lbs.), 250 – 500 kW



A Global Footprint to Support Customers Around the World

- ★ Altra Headquarters
- Altra Engineering & Service Centers
- Altra Manufacturing Facilities

The Brands of Altra Motion

Couplings

- Ameridrives**
www.ameridrives.com
- Bibby Turboflex**
www.bibbyturboflex.com
- Guardian Couplings**
www.guardiancouplings.com
- Huco**
www.huco.com
- Lamiflex Couplings**
www.lamiflexcouplings.com
- Stromag**
www.stromag.com
- TB Wood's**
www.tbwoods.com

Linear Systems

- Thomson**
www.thomsonlinear.com

Geared Cam Limit Switches

- Stromag**
www.stromag.com

Engineered Bearing Assemblies

- Kilian**
www.kilianbearings.com

Electric Clutches & Brakes

- Matrix**
www.matrix-international.com
- Stromag**
www.stromag.com
- Warner Electric**
www.warnerelectric.com

Belted Drives

- TB Wood's**
www.tbwoods.com

Heavy Duty Clutches & Brakes

- Twiflex**
www.twiflex.com
- Stromag**
www.stromag.com
- Svendborg Brakes**
www.svendborg-brakes.com
- Wichita Clutch**
www.wichitaclutch.com

Gearing & Specialty Components

- Bauer Gear Motor**
www.bauergears.com
- Boston Gear**
www.bostongear.com
- Delevan**
www.delevan.com
- Delroyd Worm Gear**
www.delroyd.com
- Nuttall Gear**
www.nuttallgear.com

Engine Braking Systems

- Jacobs Vehicle Systems**
www.jacobsvehiclesystems.com

Precision Motors & Automation

- Kollmorgen**
www.kollmorgen.com

Miniature Motors

- Portescap**
www.portescap.com

Overrunning Clutches

- Formsprag Clutch**
www.formsprag.com
- Marland Clutch**
www.marland.com
- Stieber**
www.stieberclutch.com