

ERS FENIX 08 for the Elevator Market



Elevator Applications

- Gearless Motors
- Gear Motors

ELECTRICALLY RELEASED BRAKE FOR ELEVATORS

Electrically Released Brake

The ERS FENIX 08 is an electrically released brake that is intended to prevent ascending car overspeed and unintended movement. The ERS FENIX 08 is suitable for new build gear motors to meet EN81-20&50 conformity.

- Complies with Directive 2014/33/EU
- Compact design with torque from 5Nm up to 2300Nm
- Single magnet and single friction disc
- Available with optional dustcover and hand release
- Low noise operation through the life of the brake
- Very easy installation
- Micro switch equipped
- Nearly maintenance free (further information in our service manual)
- Overexcitation (dual voltage) or single voltage

www.warnerelectric.com



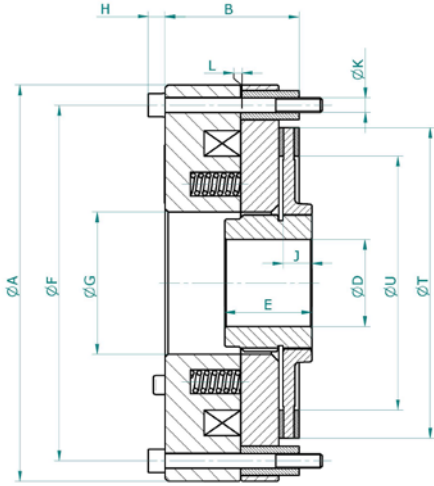
ERS FENIX

Brake Configuration		Nominal Torque of Brake size / 100		Real Selling Torque of Brake	
08	1 Magnet & 1 Disc	0.05	5 Nm		06
09	2 Magnets & 2 Discs	0.10	10 Nm	10	1000 Nm
10	1 Magnet & 2 Discs	0.20	20 Nm	12	1200 Nm
		0.35	35 Nm	15	1500 Nm
		0.60	60 Nm	20	2000 Nm
		01	100 Nm	23	2300 Nm
		02	200 Nm	30	3000 Nm
		03	300 Nm	46	4600 Nm
		04	400 Nm		

Example of name: **ERS FENIX 08 10-1000**

(Brake with 1 magnets, 1 disc, nominal torque of size = 1000Nm, real torque of size = 1000Nm)

ERS FENIX 08



Voltage (VDC)

With Overexcitation		Without Overexcitation
Holding Voltage	Overexcitation Voltage	Single Voltage
24	48	24
52	103.5	-
103.5	207	207
ED=50%		

Size		01	02	03	06	10	15	23				
Maximum Torque	Nm	100	120	200	250	300	450	800	950	1400	1800	2300
Cert. Max Speed	RPM	1200	800	1000	600	800	500	400	300	250	250	250
A	mm	166	194	234	274	332	352	395				
B	mm	75	80	81	91	83	111	115				
D Standard H7	mm	Can vary depending on customer specifications										
E	mm											
F	mm	145	170	214	250	303	320	358				
G	mm	59	70	80	98	145	145	165				
H	mm	9.4	9.4	9.4	11.6	13.1	13.1	17.3				
J	mm	13	13	13	30	30	30	28.5				
K	-	3xM8	3xM8	6xM8	4xM10	4xM12	6xM12	4xM16				
L Nominal	mm	0.4	0.4	0.4	0.4	0.4	0.5	0.5				
T	mm	125	150	193	225	275	290	325				
U	mm	90	116	145	175	230	250	280				
Hand- Release	-	OPTION										
Weight	Kg	9	13	20	32	41	63	80				

Size		0.05	0.10	0.20	0.35	0.60
Maximum Torque	Nm	5	10	20	35	60
Cert. Max Speed	RPM	2400	2000	1600	1300	1200
A	mm	86	98	133	153	164
B	mm	52.5	56	54	55	67
C	mm	3.2	3.2	4.5	6	6
D	mm	12H7	15H7	15/20H7	19.05/20/25H7	20/25/30H7
E	mm	20	20	20	25	30
F	mm	72	90	112	132	145
G	mm	26	31	43.5	51	59
AA	mm	86	98	138	156	164
T	mm	60	7	96	116	125
U	mm	48	60	68	80	90.5
Hand release	-	Option				
Weight	Kg	1.5	2.4	4.2	4.4	8.5

