

ERS VAR 07 for the Elevator Market

ELECTRICALLY RELEASED BRAKE FOR ELEVATORS

Electrically Released Failsafe Brake

The ERS VAR 07, an electrically released failsafe brake that operates in static and emergency stops, is designed to offer a double braking system in a very compact dimension. The VAR 07 is particularly suitable for gearless motors with limited space

- Redundant system in accordance with EN 81-20/50
- Complies with Directive 2014/33/EU
- Extremely compact, round design
- Compact design with torque from 300Nm up to 900Nm
- Optional hand-release, mountable by customer
- Available with optional dustcover
- 1 shell / 2 independent braking circuits / 1 disc
- Low noise operation through the life of the brake
- Very easy installation
- Micro switch equipped
- Nearly maintenance free (further information in our service manual)
- Overexcitation (dual voltage) or single voltage



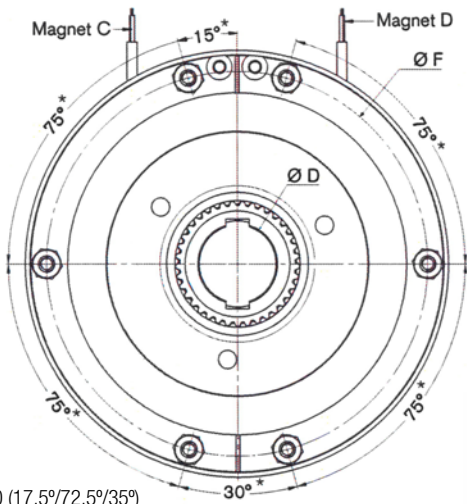
Elevator Applications

- Gearless Motors

www.warnerelectric.com

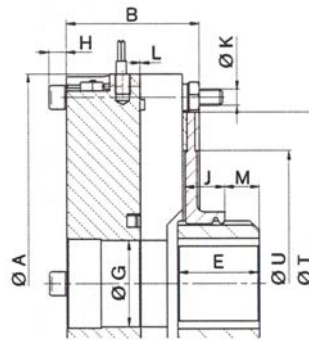
 **Warner Electric**[®]
Altra Industrial Motion

ERS VAR 07



*SZ100 (17,5°/72,5°/35°)

*SZ300 (15°/75°/82.5°/15°/82.5°/75°)
*SZ500 (15°/57°/100.5°/15°/64.5°/93°)



Voltage (VDC)

With Overexcitation		Without Overexcitation
Holding Voltage	Overexcitation Voltage	Single Voltage
24	48	24
52	103.5	-
103.5	207	207
ED=50%		

Size		300		420		600		800	
Standard Torque	Nm	2x315	2x350	2x350	2x450	2x500	2x600	2x800	2x900
Cert. Max Speed	RPM	600	300	600	300	600	300	500	300
A	mm	254		273		303		315	
B	mm	79		86		95		101	
D Standard H7	mm								
E	mm								
M	mm								
F	mm	236		255		275		288	
G	mm	65		65		65		65	
H	mm	9.4		9.4		11.6		13.1	
J	mm	34		25		30		32.5	
K	-	6xM8		6xM8		6xM10		6xM12	
L Nominal	mm	0.4		0.4		0.4		0.4	
T	mm	210		233		243		258	
U	mm	175		190		200		200	
Hand- Release	-								
Weight	Kg	25		32		42		54	
Inertia	kgcm								
Connection	-								