

ERS VAR 12 for the Elevator Market



Elevator Applications

- Gearless Motors

ELECTRICALLY RELEASED BRAKE FOR ELEVATORS

Electrically Released Single Surface Brake

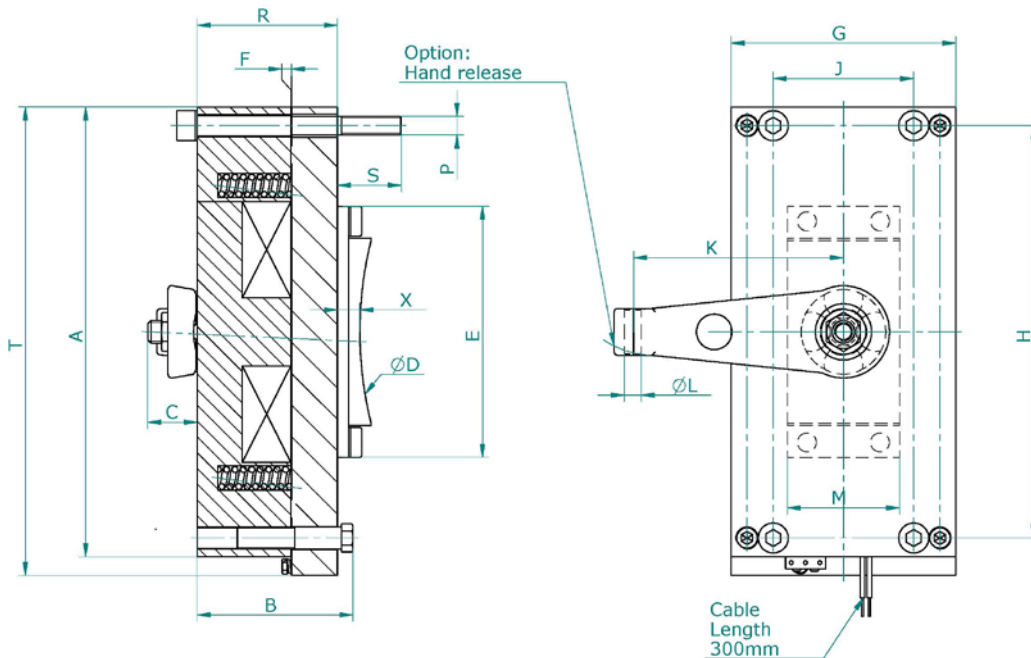
The VAR 12 is a highly modular braking system for modern elevators. With 2 brakes, the braking systems complies with EN81-20&50 and protects the elevator against ascending overspeed and unintended movement.

- Complies with Directive 2014/33/EU
- Torque capacity according to drum diameter
- Single voltage
- Hand release upon request
- Redundant capability according EN81-20/50 when two or more brakes are used
- Large braking torques can be achieved by using several brakes
- Very easy installation
- Nearly maintenance free (further information in our service manual)
- Microswitch equipped

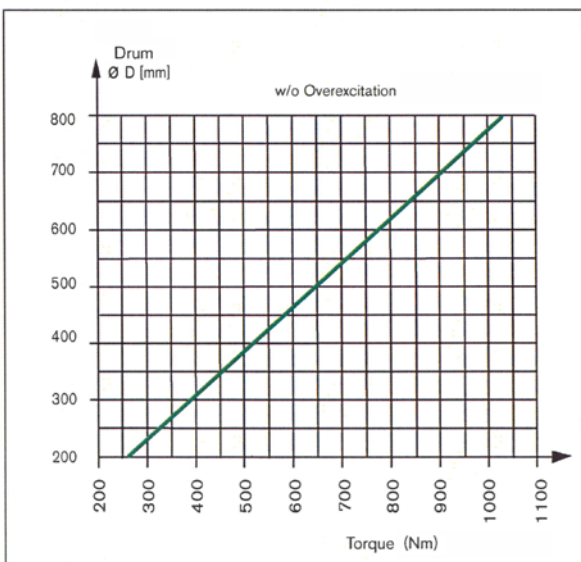
www.warnerelectric.com

 **Warner Electric**[®]
Altra Industrial Motion

ERS VAR 12



Tolerances on the supply voltage at the brake terminals =±5% / -10% (NFC 79-300).



Linear speed (outer diameter of disc): standard up to 5 m/s
Friction material: Steel

Subject to alteration without prior notice.

VAR		12-03	12-04
A	mm	210	240
B	mm	93	83
C	mm	26	27
E	mm	100	134
F Nominal	mm	0,3	0,3
G	mm	120	120
H	mm	170	220
J	mm	85	75
K	mm	112,5	112,5
L	mm	9	9
M	mm	60	60
P	mm	4 X M10 X 1,5-6G	
R	mm	85	75
S	mm	25	35
T	mm	220	250
X	mm	8	12
Voltage*	VDC	24/207	24/207
ED	%	40	40
Weight	KG	16,5	16,8
Connection		Cable	Cable

Note: D has to be given by the customer.

*Single voltage