

# ERS FENIX 09 for the Elevator Market



## Elevator Applications

- Gearless Motors
- Gear Motors

## ELECTRICALLY RELEASED BRAKE FOR ELEVATORS

### Electrically Released Failsafe Brake

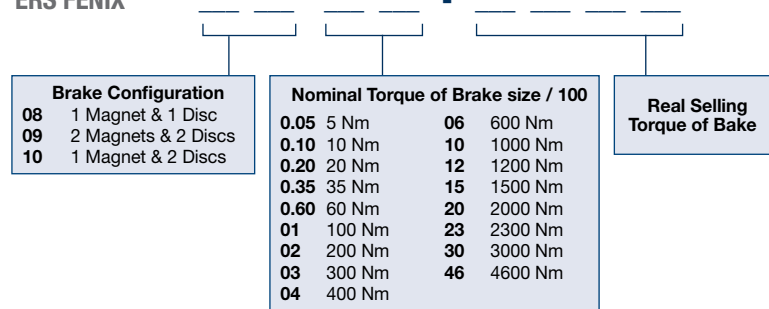
The ERS FENIX 09 is an electrically released failsafe brake that operates in static and emergency stops that is designed to offer a double braking system. The ERS FENIX 09 is particularly suitable for gearless motors to meet EN81-20&50 conformity.

- Complies with Directive 2014/33/EU
- Standard torque capacity from 2x5Nm up to 2x2300Nm
- 2 magnets and 2 friction discs
- Available with optional dustcover and hand release
- Low noise operation through the life of the brake
- Very easy installation
- Micro switch equipped
- Nearly maintenance free (further information in our service manual)
- Overexcitation (dual voltage) or single voltage

[www.warnerelectric.com](http://www.warnerelectric.com)



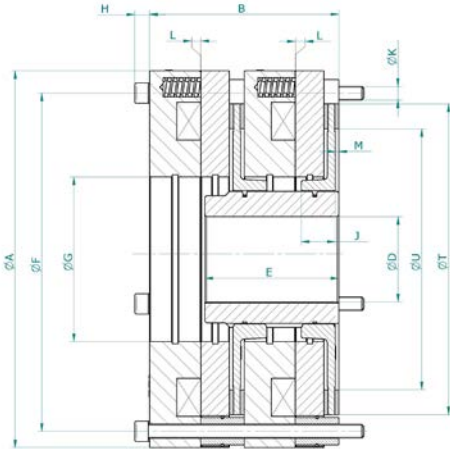
### ERS FENIX



Example of name: **ERS FENIX 09 10-1000**

(Brake with 2 magnets, 2 disc, nominal torque of size = 1000Nm, real torque of size = 1000Nm)

## ERS FENIX 09



### Voltage (VDC)

With Overexcitation		Without Overexcitation
Holding Voltage	Overexcitation Voltage	Single Voltage
24	48	24
52	103.5	-
103.5	207	207
ED=50%		

Size		01	02	03	06	10	15	23							
Maximum Torque	Nm	2x 100	2x 120	2x 200	2x 250	2x 300	2x 450	2x 800	2x 950	2x 1300	2x 1400	2x 1500	2x 1800	2x 2000	2x 2300
Cert. Max Speed	RPM	1200	800	1000	600	800	500	400	300	500	300	400	300	300	250
A	mm	166	194	234	274	332	352	395							
B	mm	165	175	180	187	166	222	230							
D Standard H7	mm	Can vary depending on customer specifications													
E	mm														
F	mm	145	170	214	250	303	320	358							
G	mm	59	70	80	98	145	145	165							
H	mm	9.4	9.4	9.4	11.6	13.1	13.1	17.3							
J	mm	13	13	13	30	30	30	28.5							
K	-	3xM8	3xM8	6xM8	4xM10	4xM12	6xM12	4xM16							
L Nominal	mm	0.4	0.4	0.4	0.4	0.4	0.4	0.5							
T	mm	125	150	193	225	275	290	325							
U	mm	90	116	145	175	230	250	280							
Hand- Release	-	OPTION													
Weight	Kg	20	28	42	64	82	126	160							

Size		0.05	0.10	0.20	0.35	0.60
Maximum Torque	Nm	2x 5	2x 10	2x 20	2x 35	2x 60
Cert. Max Speed	RPM	2400	2000	1600	1300	1200
A	mm	86	98	133	153	164
B	mm	105	112	108	110	134
C	mm	3.2	3.2	4.5	6	6
D	mm	12H7	15H7	15/20H7	19.05/20/25H7	20/25/30H7
E	mm	20	20	20	25	30
F	mm	72	90	112	132	145
G	mm	26	31	43.5	51	59
AA	mm	86	98	138	156	164
T	mm	60	7	96	116	125
U	mm	48	60	68	80	90.5
Hand release	-	OPTION				
Weight	Kg	3	4.8	8.4	8.8	17

