

# ERS VAR 07 for the Elevator Market

## ELECTRICALLY RELEASED BRAKE FOR ELEVATORS

### Electrically Released Failsafe Brake

The ERS VAR 07, an electrically released failsafe brake that operates in static and emergency stops, is designed to offer a double braking system in a very compact dimension. The VAR 07 is particularly suitable for gearless motors with limited space

- Redundant system in accordance with EN 81-20/50
- Complies with Directive 2014/33/EU
- Extremely compact, round design
- Compact design with torque from 300Nm up to 900Nm
- Optional hand-release, mountable by customer
- Available with optional dustcover
- 1 shell / 2 independent braking circuits / 1 disc
- Low noise operation through the life of the brake
- Very easy installation
- Micro switch equipped
- Nearly maintenance free (further information in our service manual)
- Overexcitation (dual voltage) or single voltage

*Customer drawing available on request*



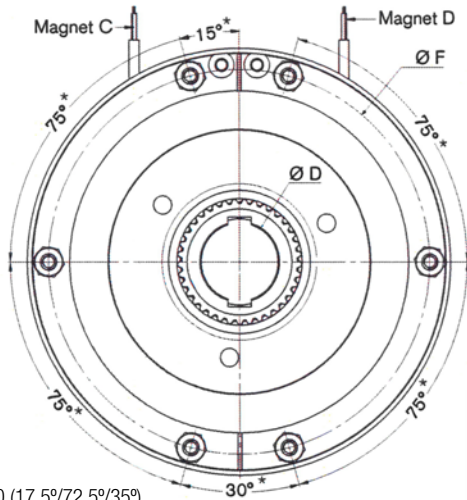
### Elevator Applications

- Gearless Motors

[www.warnerelectric.com](http://www.warnerelectric.com)

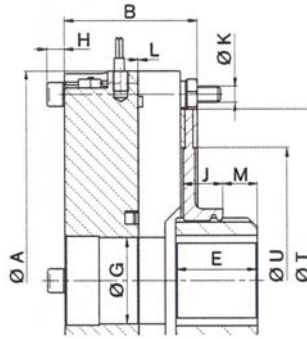
 **Warner Electric**<sup>®</sup>  
Altra Industrial Motion

## ERS VAR 07



\*SZ100 (17,5°/72,5°/35°)

\*SZ300 (15°/75°/82.5°/15°/82.5°/75°)  
\*SZ500 (15°/57°/100.5°/15°/64.5°/93°)



### Voltage (VDC)

With Overexcitation		Without Overexcitation
Holding Voltage	Overexcitation Voltage	Single Voltage
24	48	24
52	103.5	103.5
103.5	207	207
ED=50%		

Size		300		420		600		800	
Standard Torque	Nm	2x315	2x350	2x350	2x450	2x500	2x600	2x800	2x900
Cert. Max Speed	RPM	600	300	600	300	600	300	500	300
A	mm	254		273		303		315	
B	mm	79		86		95		101	
D Standard H7	mm	Can vary depending on customer specifications							
E	mm								
M	mm								
F	mm	236		255		275		288	
G	mm	65		65		65		65	
H	mm	9.4		9.4		11.6		13.1	
J	mm	34		25		30		32.5	
K	-	6xM8		6xM8		6xM10		6xM12	
L Nominal	mm	0.4		0.4		0.4		0.4	
T	mm	210		233		243		258	
U	mm	175		190		200		200	
Hand- Release	-	OPTION							
Weight	Kg	25		32		42		54	
Inertia	kgcm								
Connection	-	On Request							