

ERS VAR 14 for the Elevator Market



Elevator Applications

- Modernization

ELECTRICALLY RELEASED BRAKE FOR ELEVATORS

Sheave-Grip Modular Braking System

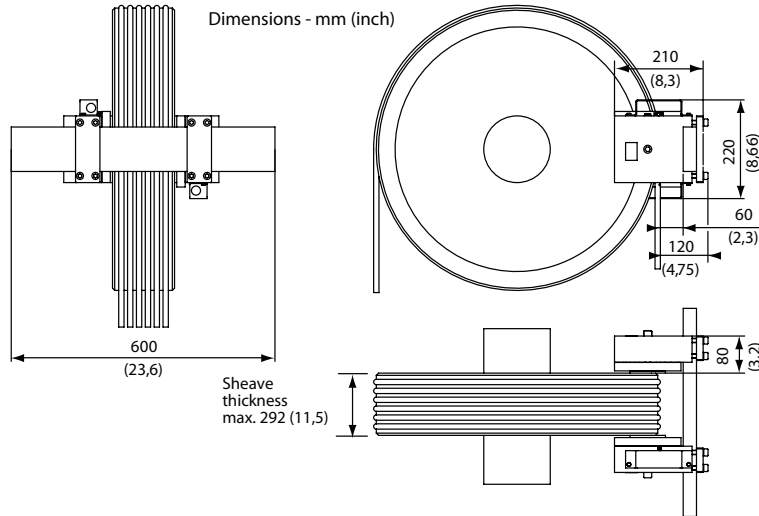
The VAR 14 electrically released brake is designed for modernization of gear motors and operates in static and emergency stops. It has been designed to prevent ascending car overspeed and unintended movement and complies with Section 2.19 ASME A.17.1 and EN81-20&50.

- Complies with Directive 2014/33/EU
- High modular braking system
- Standard braking force up to 6000 N
- Torque according to your sheave diameter
- Acting directly on traction sheave
- Basic configuration : 2 magnets
- Easy to install
- Microswitch equipped
- Nearly maintenance free (further information in our service manual)
- Overexcitation (dual voltage)

www.warnerelectric.com

 **Warner Electric**[®]
Altra Industrial Motion

ERS VAR 14



2 Magnets Silent				2 Magnets			
Model	ERS VAR 14-01-S			ERS VAR 14-01			
Part Number	1 12 106842	1 12 106843	1 12 106844	1 12 106847	1 12 106848	1 12 106849	1 12 106850
Braking Force (magnet A&B)	5000 N	4000 N	3000 N	6000 N	5200 N	4300 N	3500 N
OPTION: Electric connection on the CBC140-5 power supply / Serial connection of the 2 magnets – Part # 2 12 095515							
Nominal voltage	+5% / - 10%	230 VAC		Dependant on Application			
Nominal current	(holding)	2,2 A					
Overexcitation	(1,5 s)	4,4 A					
Power 20°C	(holding)	116 W					
Overexcitation	(1,5 s)	464 W					
OPTION: Electric connection on the CBC140-5 power supply / Parallel connection of the 2 magnets – Part # 2 12 095516							
Nominal voltage	+5% / - 10%	115 VAC		Dependant on Application			
Nominal current	(holding)	2,2 A					
Overexcitation	(1,5 s)	4,4 A					
Power 20°C	(holding)	116 W					
Overexcitation	(1,5 s)	464 W					
Electric connection directly on the magnets (data for 1 magnet)							
Nominal voltage	+5% / - 10%	52 VDC		52 VDC			
Overexcitation	(1,5 s)	103,5 VDC					
Nominal current	(holding)	1,1 A		1,1 A			
Overexcitation	(1,5 s)	2,2 A		4,5 A			
Power 20°C	(holding)	58 W		58 W			
Overexcitation	(1,5 s)	232 W					
ED		50%		100%			
Mass		31 kg (w/o connection rail)		31 kg (w/o connection rail)			
Airgap		0,4 mm		1 mm			
Temperature range	(ambient)	0°C to +40°C		0°C to +40°C			
Magnet insulation		Class F 155°C		Class F 155°C			
Maximum speed		5 m/s (outer sheave dia.)		5 m/s (outer sheave dia.)			
Switch voltage		24 VDC		24 VDC			
Switch current		10 - 100 mA		10 - 100 mA			

Subject to alteration without prior notice.