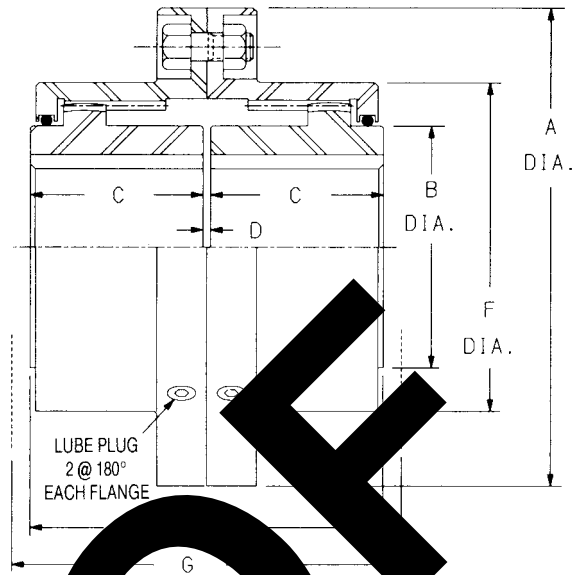




# Series F - Flexible Couplings

## Sizes 200-207



**Larger Bore**

**Higher Torque**

F Size	Max Bore		Torque in-lbs		Max RPM Unbalanced	Dimension (Metric)						Weight lbs(kg)	
	Square Key Inch	Metric with Std Metric Key mm	in-lbs	NM		B	C	E	F	G			
201.5	2.25	55	22,900	2,373	5,000	6.00 (152.4)	7.00 (177.8)	1.94 (49.3)	0.12 (3.0)	4.00 (101.6)	3.92 (99.6)	4.75 (120)	17.0 (7.7)
202	2.75	75	41,500	5,084	4,000	7.00 (177.8)	4.00 (101.6)	2.44 (62.0)	0.12 (3.0)	5.00 (127.0)	4.86 (123.4)	6.00 (150)	30.0 (13.6)
202.5	3.50	95	77,600	7,938	4,300	8.38 (213.0)	5.00 (127.0)	3.03 (77.0)	0.19 (4.8)	6.25 (158.8)	5.86 (148.8)	53.0 (24.1)	53.0 (24.1)
203	4.00	110	122,700	12,993	4,000	9.00 (229.8)	5.75 (146.1)	3.59 (91.2)	0.19 (4.8)	7.38 (187.5)	6.86 (174.2)	8.50 (215)	82.0 (37.2)
203.5	4.50	125	181,400	19,400	3,500	11.00 (279.4)	6.50 (165.1)	4.19 (106.4)	0.25 (6.4)	8.62 (218.9)	7.88 (200.2)	10.00 (255)	127.0 (57.7)
204	5.50	150	260,000	27,000	3,200	12.50 (317.5)	7.75 (196.9)	4.75 (120.7)	0.25 (6.4)	9.75 (247.7)	9.22 (234.2)	11.00 (280)	193.0 (87.6)
204.5	6.25	175	420,000	42,020	3,000	13.62 (345.9)	9.00 (228.6)	5.31 (134.9)	0.31 (7.9)	10.94 (277.9)	10.35 (262.9)	12.25 (315)	266.0 (120.8)
205	6.62	200	570,000	57,056	2,600	15.31 (388.9)	9.50 (241.3)	6.03 (153.2)	0.31 (7.9)	12.38 (314.5)	11.44 (290.6)	13.75 (350)	368 (167.1)
205.5	7.50	205	812,000	81,008	2,400	16.56 (420.6)	10.50 (266.7)	6.62 (168.1)	0.31 (7.9)	13.56 (344.4)	12.69 (322.3)	15.25 (390)	488.0 (221.6)
206	8.25	230	950,000	95,018	2,200	18.00 (457.2)	11.75 (298.5)	7.41 (188.2)	0.31 (7.9)	15.12 (384.0)	13.75 (349.3)	16.50 (420)	640.0 (290.6)
207	9.62	265	1,144,800	135,578	1,800	20.75 (527.1)	13.50 (342.9)	8.69 (220.7)	0.38 (9.7)	17.75 (450.9)	16.00 (406.4)	19.25 (490)	973.0 (441.7)

**Drill to Order**

- Couplings can be drilled for AGMA Standard Exposed Bolt Pattern, AGMA Standard Shrouded Bolt Pattern (Sizes 201.5 – 205.5)
- Couplings can also be drilled to order with customer specified bolt pattern. Many common metric patterns available
- Ratings based on +/- ¼ ° combined Angular and Parallel Misalignment.
- Higher Misalignment Ratings available, contact Factory
- Accurately machined medium carbon steel hubs and sleeves. Alloy materials available, contact Factory.
- Couplings incorporate positive O-ring seal. Buna N Oring seals provided. Viton Oring seals available for temperatures over 250° F.



[www.ameridrives.com](http://www.ameridrives.com)  
 1802 Pittsburgh Avenue  
 Erie, PA 16502 - USA  
 814-480-5000  
 Fax: 814-453-5891