

# 13

### BS-series worm-geared motors - Dimensions

<b>Dimension - Standard</b> .....	<b>640</b>
BS02 .....	640
BS03 .....	642
BS04 .....	644
BS06 .....	646
BS10-BS10Z .....	648
BS20-BS20Z .....	650
BS30-BS30Z .....	652
BS40-BS40Z .....	654
<b>Dimension - Tandem Gearbox</b> .....	<b>656</b>
BS06G04 .....	656
BS10G06 .....	658
BS20G06 .....	660
BS30G06 .....	662
BS40G10 .....	664
<b>Additional Dimension Sheet</b> .....	<b>666</b>
Shrink disc couplings (SSV) .....	666
Shrink disc couplings with (SSV) cover .....	667
Rubber buffer for torque restraint .....	668
Position of the torque arm .....	669
Threaded foot .....	670
Foot plate, left .....	671
Assembly tools for hollow shaft and keyway .....	672
Shaft Cap (VK) .....	674
Shaft Cover (VD).....	675

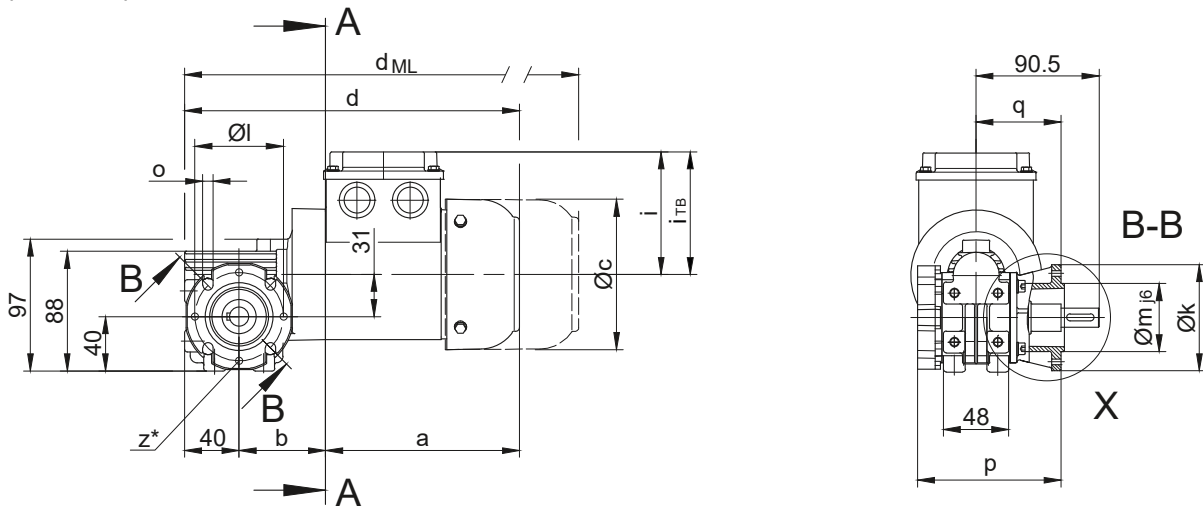
# BS-series worm-geared motors

## Dimension - Standard

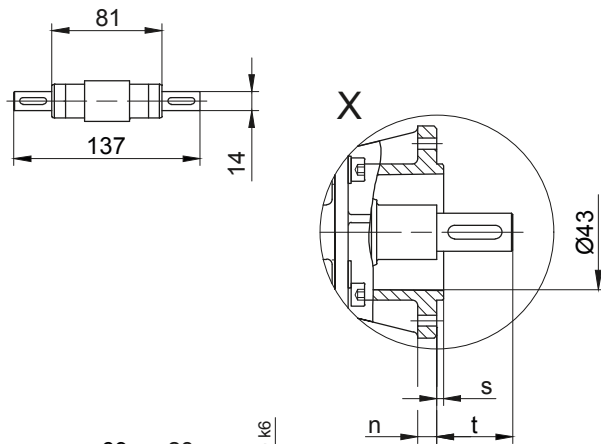
### BS02

Flange with clearance holes at front

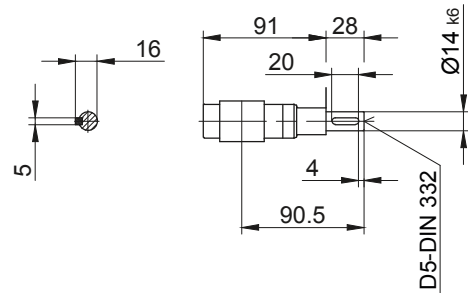
Code -3.V/  
(Code -4.V)



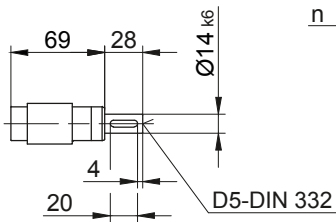
Code -3/



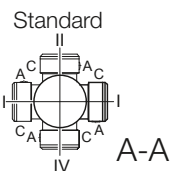
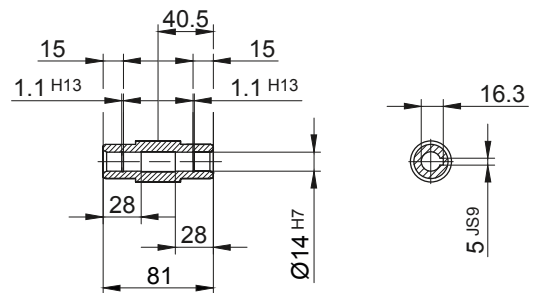
Code -7/



Code -1/



Code -4/



\* optional 4xM5 for code -3.

\* optional 4xM6 for code -4.

Flange Dimensions										
Type	Design	k	l	m	n	o	p	q	s	t
BS02	Code -3.V/	80	65	50	7.5	5.5	105.5	62.5	2.5	28
BS02	Code -4.V/	110	80	60	8	6.6	105.5	62.5	2.5	28

Dimensions in millimetres (mm)

Type	a	b	c	d	i	Design with motor extensions				
						$i_{TB}$	Brake	Encoder	Brake with Encoder	Back Stop
						$d_{ML}$	$d_{ML}$	$d_{ML}$	$d_{ML}$	$d_{ML}$
BS02-../D04.A.	142.5	63.5	110.5	246	90	112	289.5	333.5	377	-
BS02-../D..05.A.	170.5	65.5	123	276	101.5	117	318	378.5	416	-
BS02-../D..06.A.	170.5	65.5	123	276	101.5	119	318	378.5	416	-
BS02-../D..07.A.	190.5	65.5	123	296	101.5	119	338	398.5	436	-

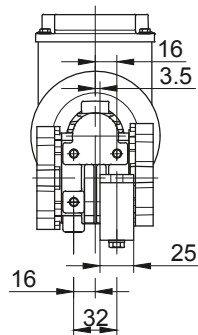
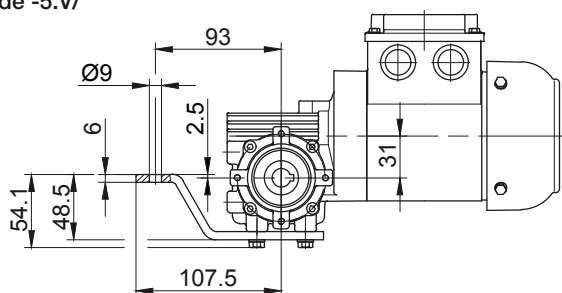
Dimensions in millimetres (mm)

The actual gearbox design can vary from the geometry shown. Generate drive specific 3D and 2D geometries under [www.BauerCat.com](http://www.BauerCat.com).

### BS02

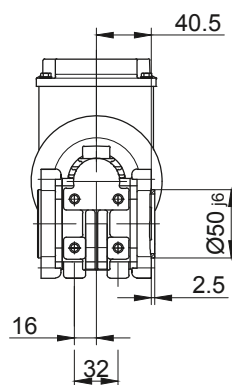
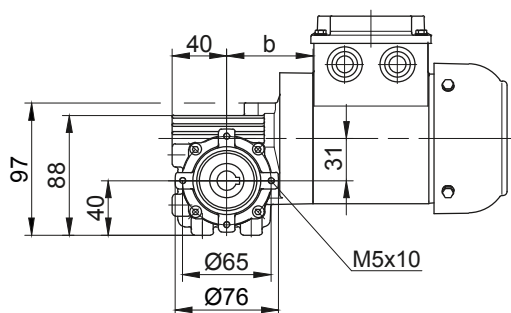
Torque arm at front

Code -5.V/



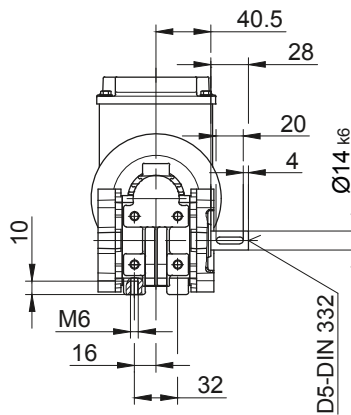
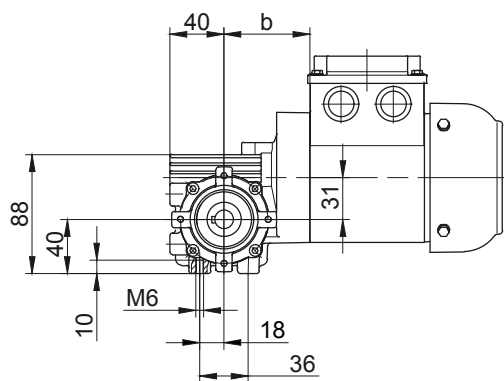
Flange with tapped holes at front

Code -7.V/



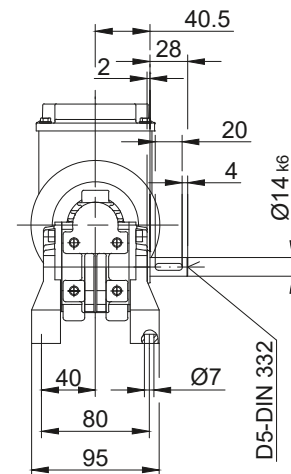
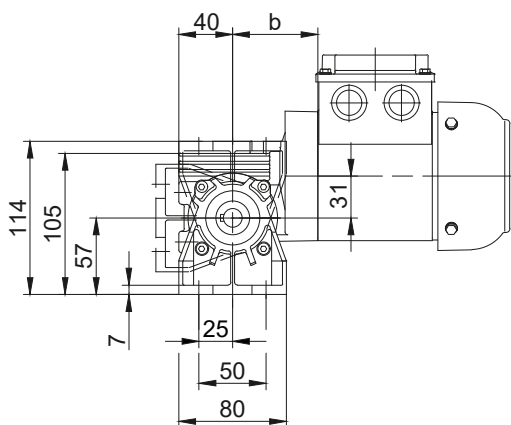
Foot with tapped holes at bottom

Code -6.U/



Foot with clearance holes at bottom

Code -1.U/



The actual gearbox design can vary from the geometry shown. Generate drive specific 3D and 2D geometries under [www.BauerCat.com](http://www.BauerCat.com).

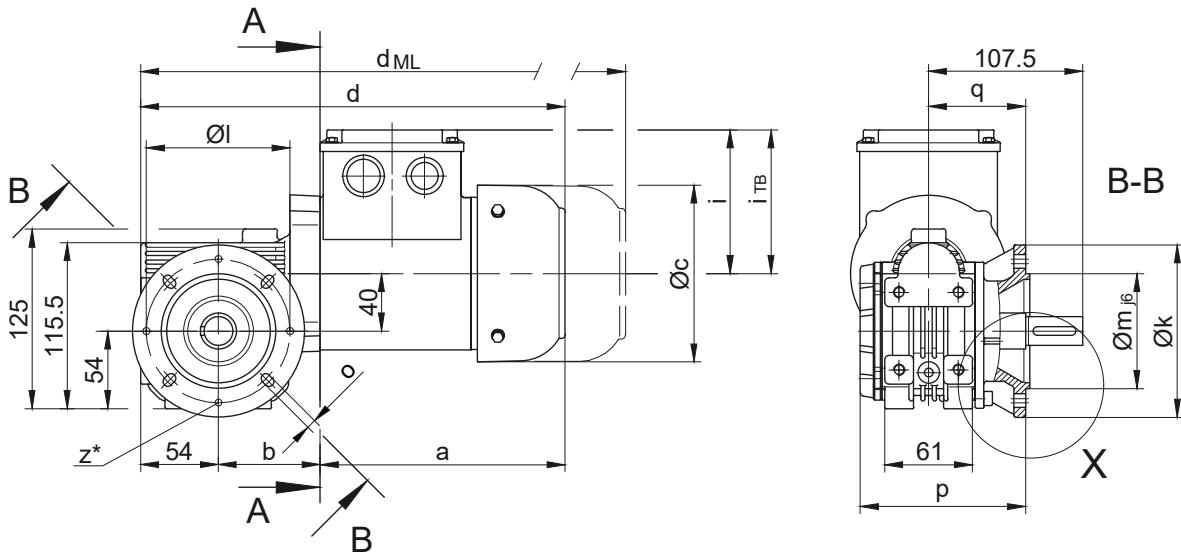
# BS-series worm-geared motors

## Dimension - Standard

### BS03

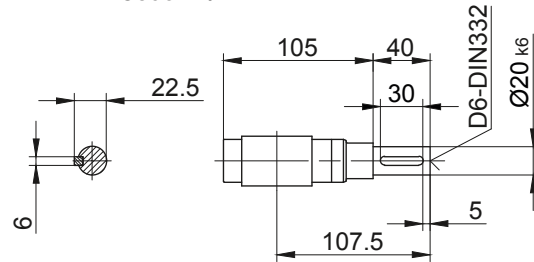
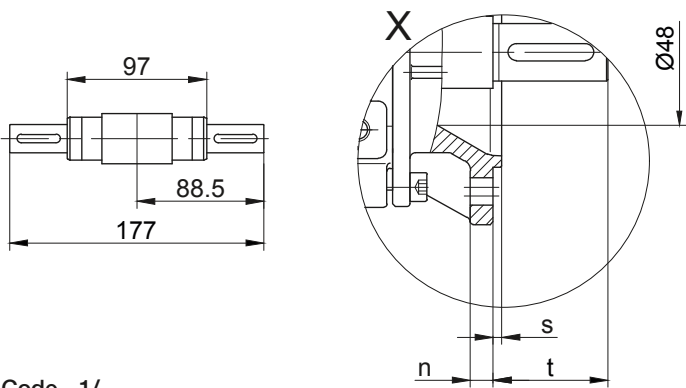
Flange with clearance holes at front

Code -3.V/



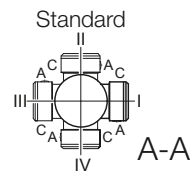
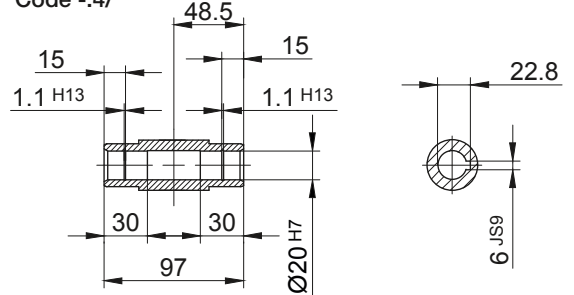
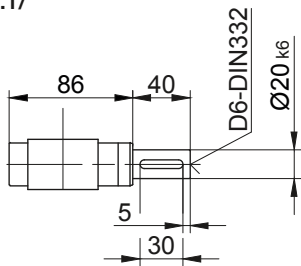
Code -3/

Code -7/



Code -1/

Code -4/



\* optional 4xM6 for code -3.

Flange Dimensions										
Type	Design	k	l	m	n	o	p	q	s	t
BS03	Code -3.V/	120	100	80	8	6.6	115	67.5	3	40

Dimensions in millimetres (mm)

Type	a	b	c	d	i	Design with motor extensions				
						i <sub>TB</sub>	Brake	Encoder	Brake with Encoder	Back Stop
							d <sub>ML</sub>	d <sub>ML</sub>	d <sub>ML</sub>	d <sub>ML</sub>
BS03-../D..05.A.	170.5	71	123	295.5	101.5	117	337.5	398	435.5	-
BS03-../D..06.A.	170.5	71	123	295.5	101.5	119	337.5	398	435.5	-
BS03-../D..07.A.	190.5	71	123	315.5	101.5	119	357.5	418	455.5	-
BS03-../D..08.A.	199.5	115	156	368.5	116	136.5	434.5	480.5	542	434.5
BS03-../D..08.B.	229.5	115	156	398.5	116	136.5	464.5	510.5	571.5	464.5

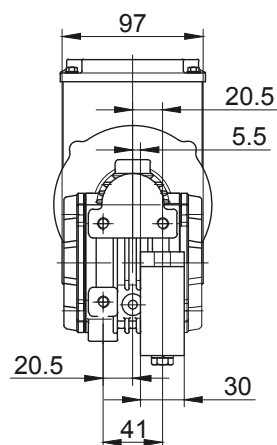
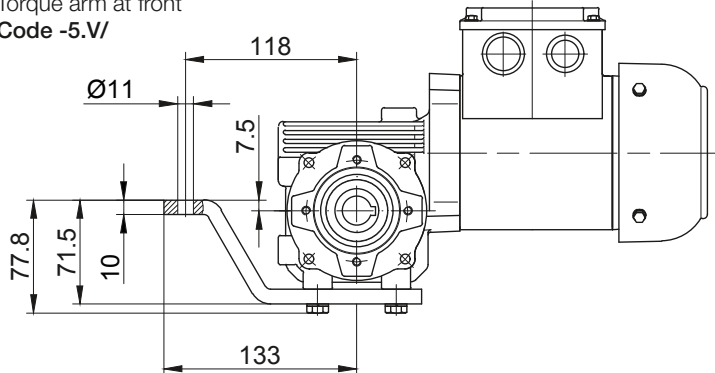
Dimensions in millimetres (mm)

The actual gearbox design can vary from the geometry shown. Generate drive specific 3D and 2D geometries under [www.BauerCat.com](http://www.BauerCat.com).

### BS03

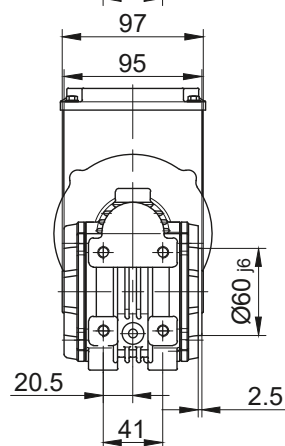
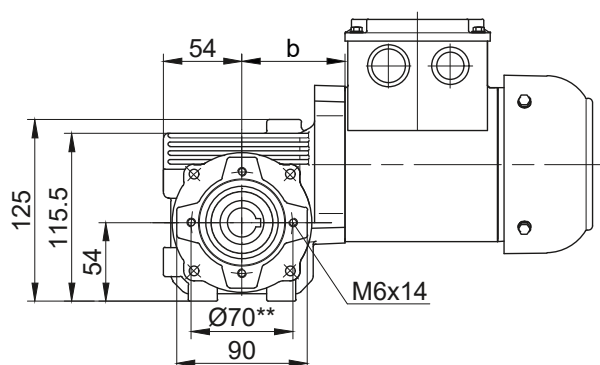
Torque arm at front

Code -5.V/



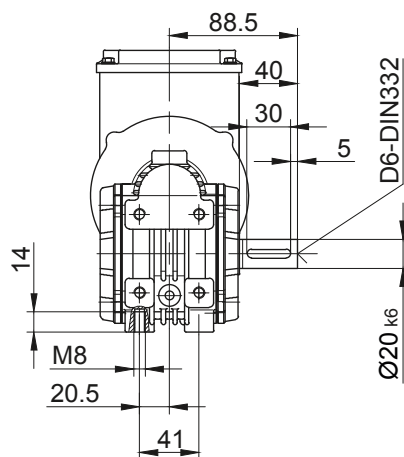
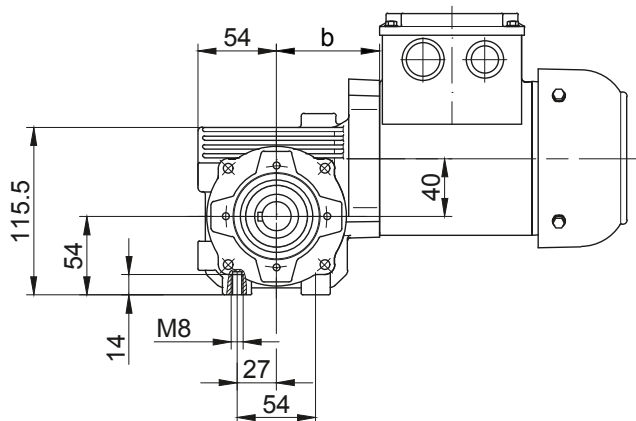
Flange with tapped holes at front

Code -7.V/



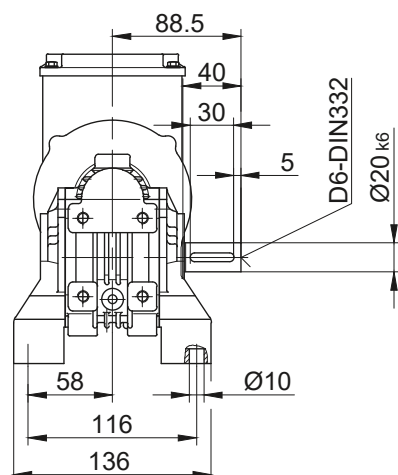
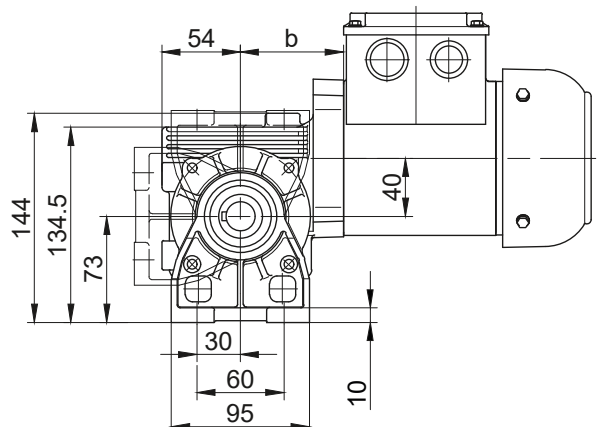
Foot with tapped holes at bottom

Code -6.U/



Foot with clearance holes at bottom

Code -1.U/



\*\* not for D..08.. with PTO shaft (code -.1, -.2, -.3., -.7, -.8, -.9)

The actual gearbox design can vary from the geometry shown. Generate drive specific 3D and 2D geometries under [www.BauerCat.com](http://www.BauerCat.com).

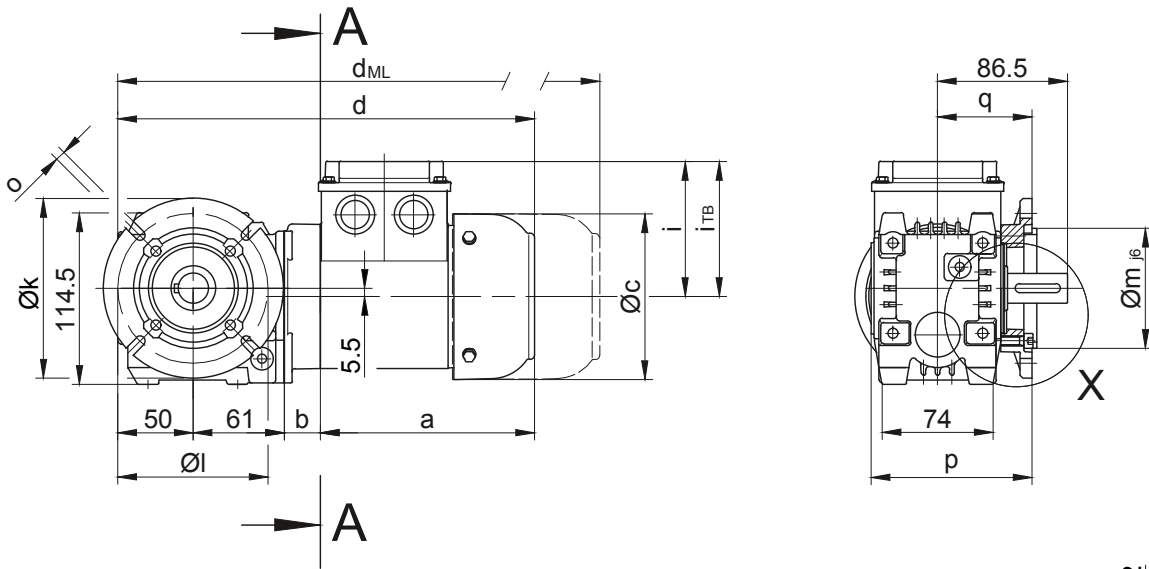
# BS-series worm-geared motors

## Dimension - Standard

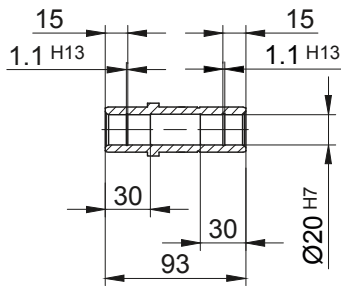
### BS04

Flange with clearance holes at front

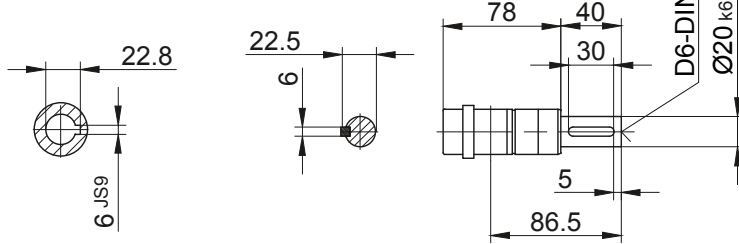
Code -3.V/



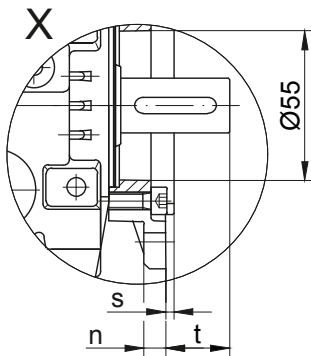
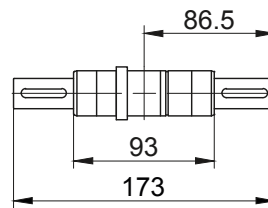
Code -.4/



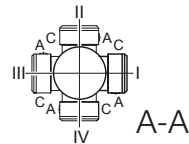
Code -.1/



Code -.3/



Standard



Flange Dimensions										
Type	Design	k	l	m	n	o	p	q	s	t
BS04	Code -3.V/	120	100	80	8	6.6	107.5	63	3	23.5

Dimensions in millimetres (mm)

Type	a	b	c	d	i	Design with motor extensions				
						i <sub>TB</sub>	Brake	Encoder	Brake with Encoder	Back Stop
							d <sub>ML</sub>	d <sub>ML</sub>	d <sub>ML</sub>	d <sub>ML</sub>
BS04-../D04.A.	142.5	24	110.5	277.5	90	112	321	365	408.5	-
BS04-../D..05.A.	170.5	26	123	307.5	101.5	117	349.5	410	447.5	-
BS04-../D..06.A.	170.5	26	123	307.5	101.5	119	349.5	410	447.5	-
BS04-../D..07.A.	190.5	26	123	327.5	101.5	119	369.5	430	467.5	-

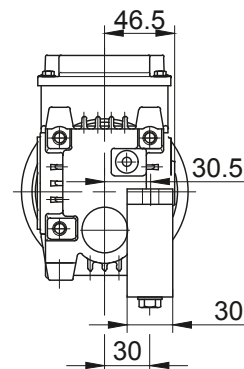
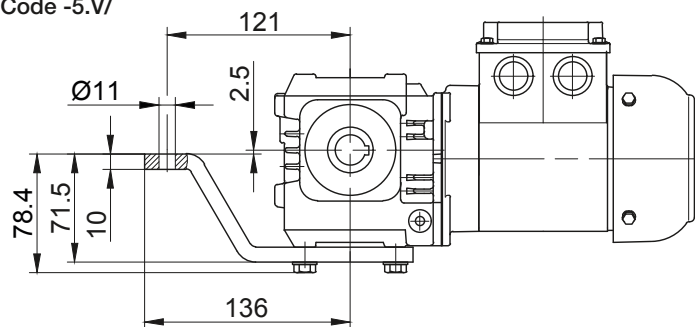
Dimensions in millimetres (mm)

The actual gearbox design can vary from the geometry shown. Generate drive specific 3D and 2D geometries under [www.BauerCat.com](http://www.BauerCat.com).

### BS04

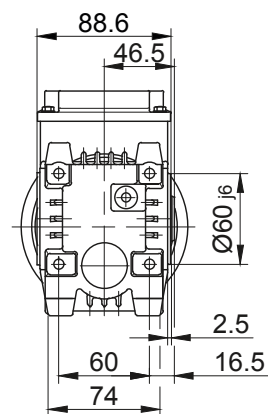
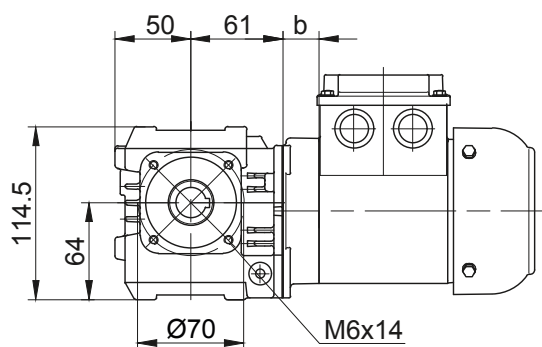
Torque arm at front

Code -5.V/



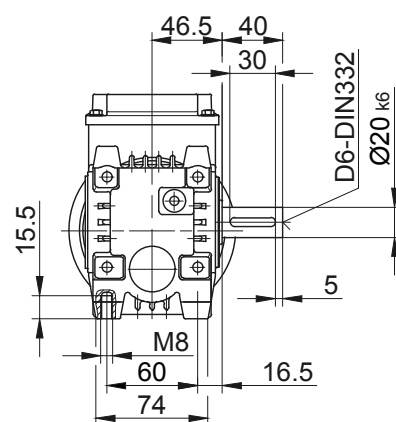
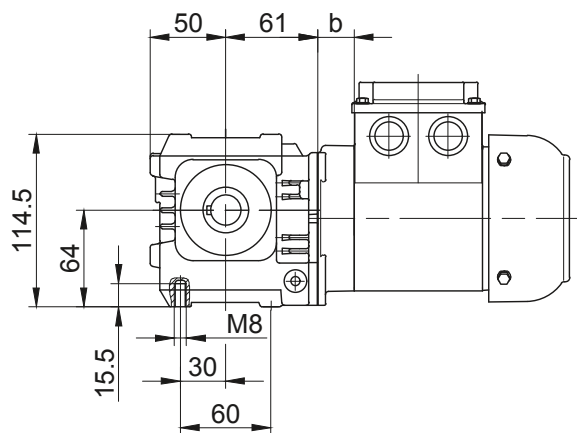
Flange with tapped holes at front

Code -7.V/



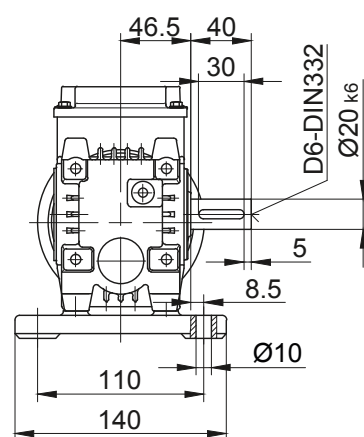
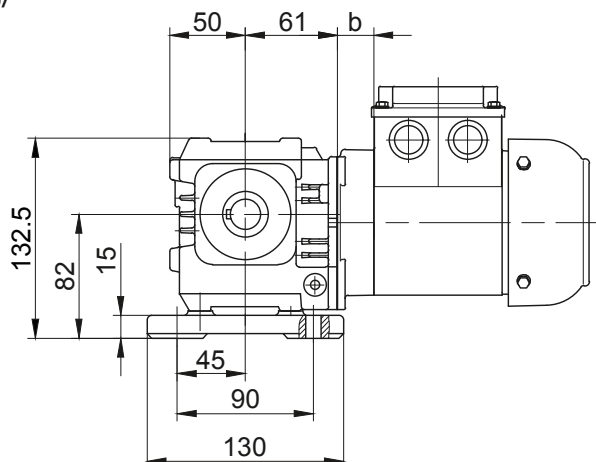
Foot with tapped holes at bottom

Code -6.U/



Foot with clearance holes at bottom

Code -1.U/



The actual gearbox design can vary from the geometry shown. Generate drive specific 3D and 2D geometries under [www.BauerCat.com](http://www.BauerCat.com).

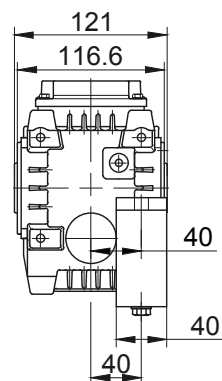
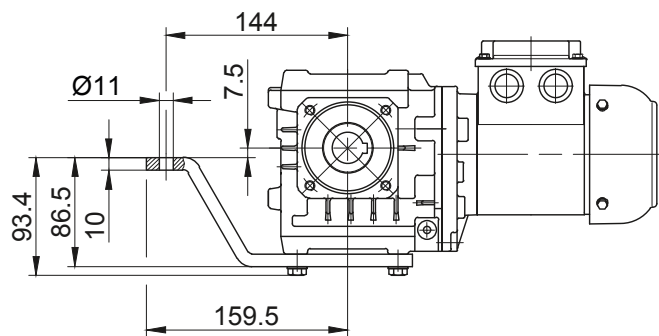




### BS06

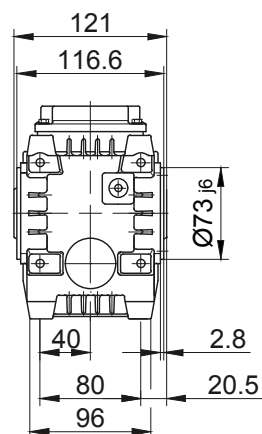
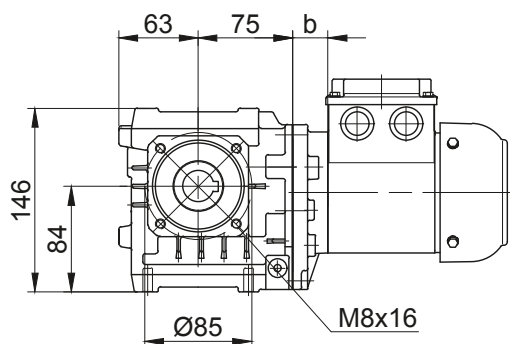
Torque arm at front

Code -5.V/



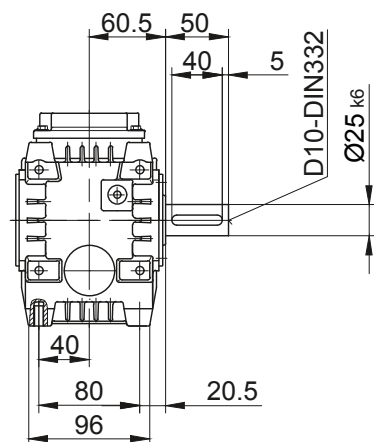
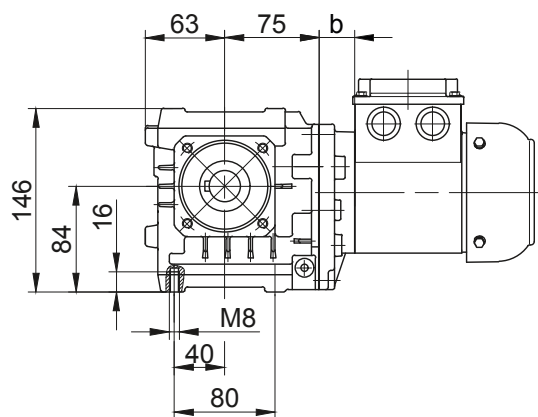
Flange with tapped holes at front

Code -7.V/



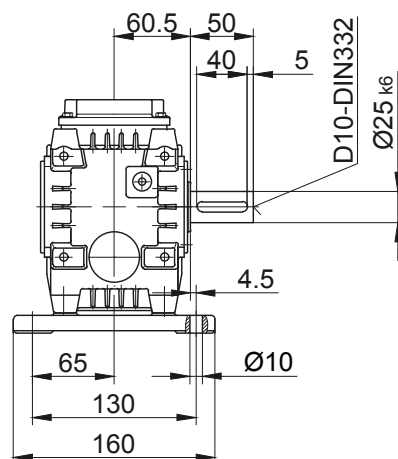
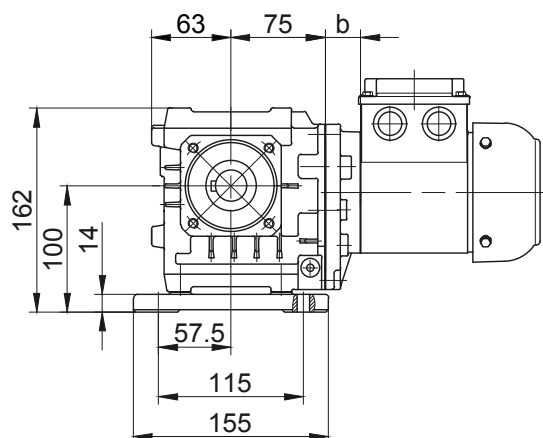
Foot with tapped holes at bottom

Code -6.U/



Foot with clearance holes at bottom

Code -1.U/



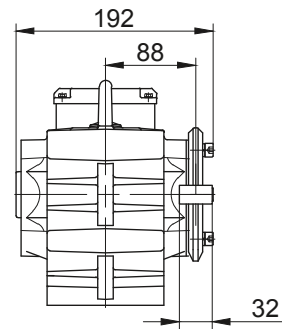
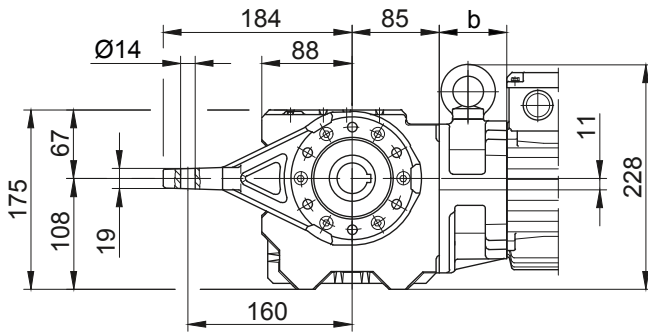
The actual gearbox design can vary from the geometry shown. Generate drive specific 3D and 2D geometries under [www.BauerCat.com](http://www.BauerCat.com).



### BS10-BS10Z

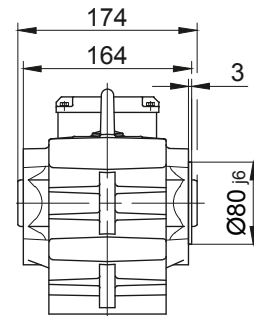
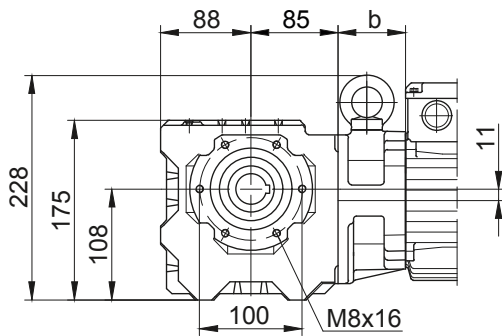
Torque arm at front

Code -5.V/



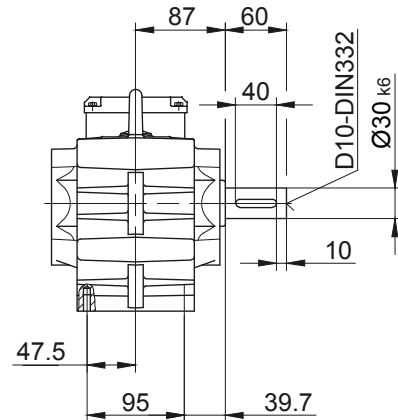
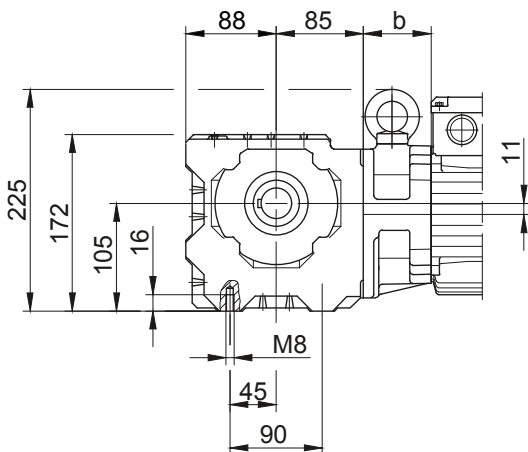
Flange with tapped holes at front

Code -7.V/



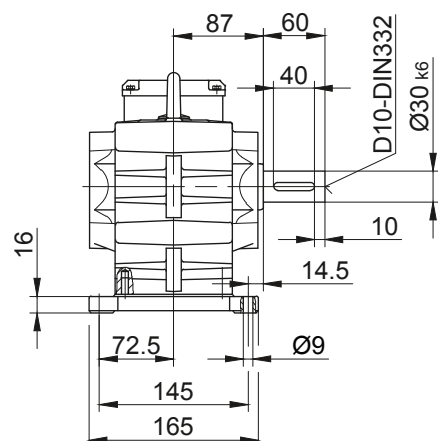
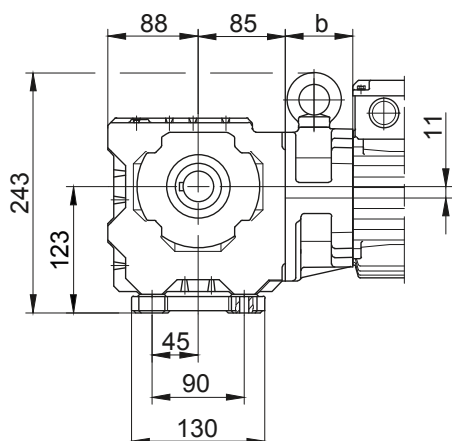
Foot with tapped holes at bottom

Code -6.U/



Foot with clearance holes at bottom

Code -1.U/



The actual gearbox design can vary from the geometry shown. Generate drive specific 3D and 2D geometries under [www.BauerCat.com](http://www.BauerCat.com).

# BS-series worm-geared motors

## Dimension - Standard

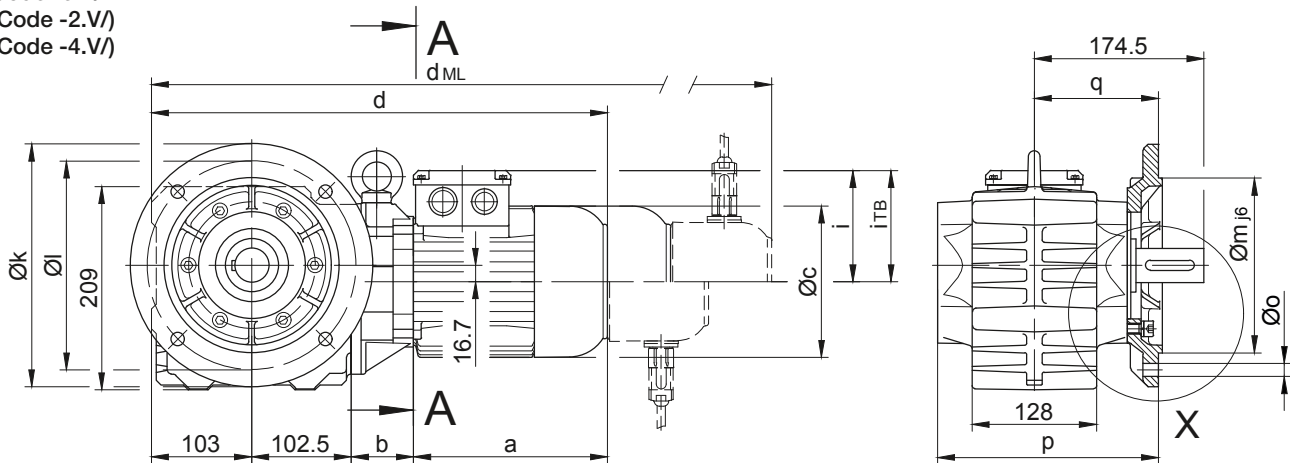
### BS20-BS20Z

Flange with clearance holes at front

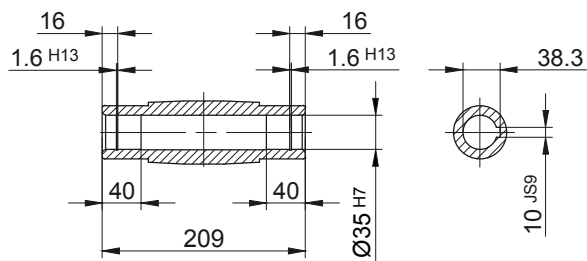
Code -3.V/

(Code -2.V/)

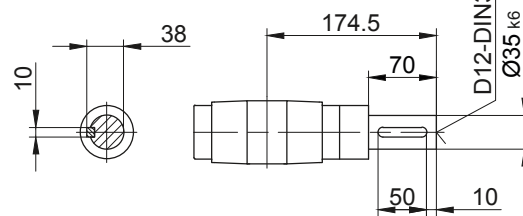
(Code -4.V/)



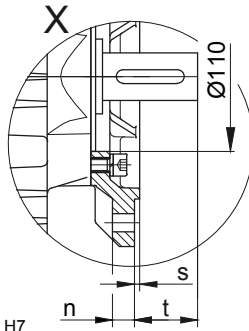
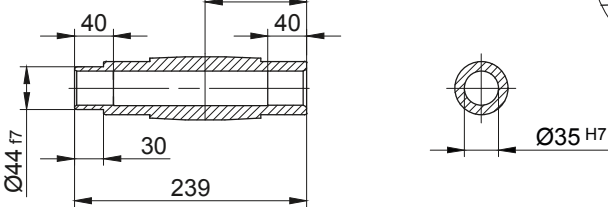
### Code -4/



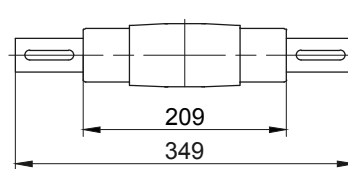
### Code -1/



### Code -5/



### Code -3/

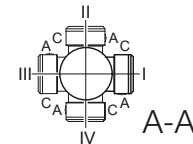


### Flange Dimensions

Type	Design	k	l	m	n	o	p	q	s	t
BS20..	Code -3.V/	250	215	180	16	13.5	227.5	128	4	46.5
BS20..	Code -2.V/	200	165	130	12	11	224.5	125	3.5	49.5
BS20..	Code -4.V/	300	265	230	20	13.5	233.5	134	4	40.5

Dimensions in millimetres (mm)

Standard



Type	a	b	c	d	i	Design with motor extensions				
						i <sub>TB</sub>	Brake	Encoder	Brake with Encoder	Back Stop
							d <sub>ML</sub>	d <sub>ML</sub>	d <sub>ML</sub>	d <sub>ML</sub>
BS20Z-../D04.A.	142.5	100	110.5	448	90	112	491.5	535.5	579	-
BS20-../D..05.A.	170.5	60	123	436	101.5	117	478	538.5	576	-
BS20Z-../D..05.A.	170.5	102	123	478	101.5	117	520	580.5	618	-
BS20-../D..06.A.	170.5	60	123	436	101.5	119	478	538.5	576	-
BS20Z-../D..06.A.	170.5	102	123	478	101.5	119	520	580.5	618	-
BS20-../D..07.A.	190.5	60	123	456	101.5	119	498	558.5	596	-
BS20Z-../D..07.A.	190.5	102	123	498	101.5	119	540	600.5	638	-
BS20-../D..08.A.	199.5	64	156	469	116	136.5	535	581	642.5	535
BS20Z-../D..08.A.	199.5	146	156	551	116	136.5	617	663	724.5	617
BS20-../D..08.B.	229.5	64	156	499	116	136.5	565	611	672	565
BS20Z-../D..08.B.	229.5	146	156	581	116	136.5	647	693	754	647
BS20-../D..09.A.	250.5	78.5	176	534.5	125.5	157	627.5	642	731.5	627.5
BS20-../D..09.B.	308.5	78.5	176	592.5	125.5	157	685.5	699.5	789.5	685.5

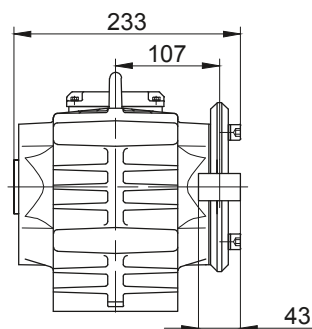
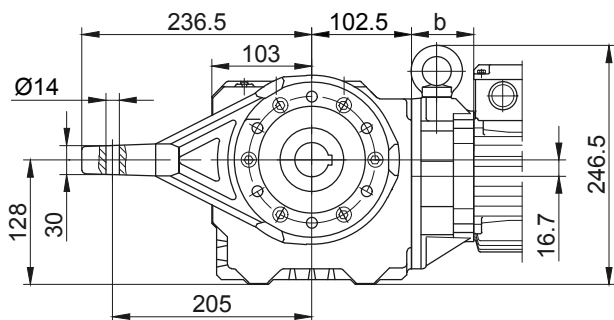
Dimensions in millimetres (mm)

The actual gearbox design can vary from the geometry shown. Generate drive specific 3D and 2D geometries under [www.BauerCat.com](http://www.BauerCat.com).

### BS20-BS20Z

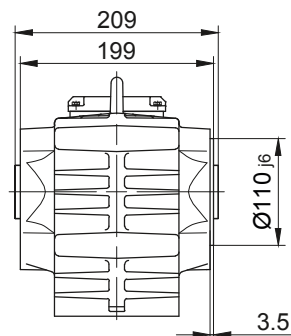
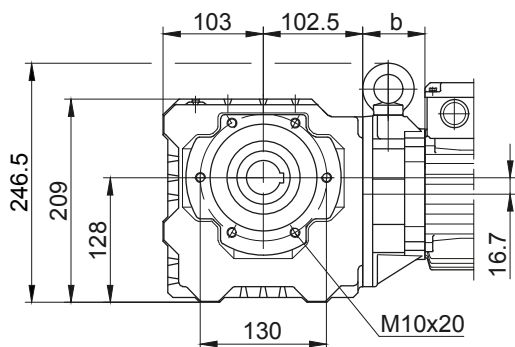
Torque arm at front

Code -5.V/



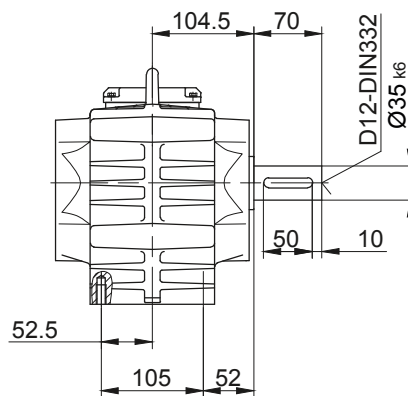
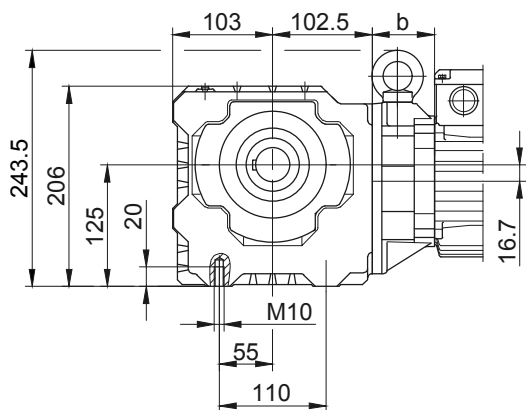
Flange with tapped holes at front

Code -7.V/



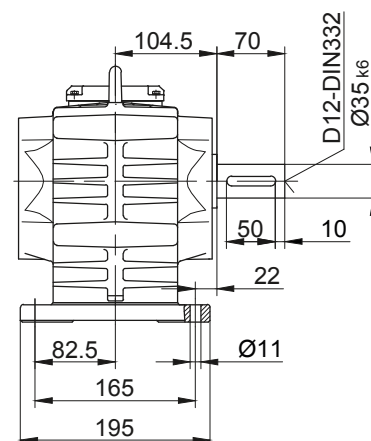
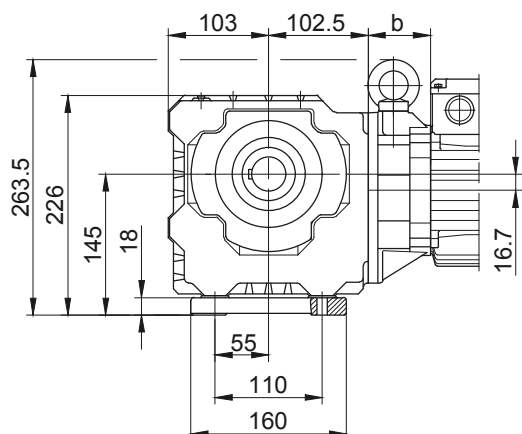
Foot with tapped holes at bottom

Code -6.U/



Foot with clearance holes at bottom

Code -1.U/



The actual gearbox design can vary from the geometry shown. Generate drive specific 3D and 2D geometries under [www.BauerCat.com](http://www.BauerCat.com).

# BS-series worm-geared motors

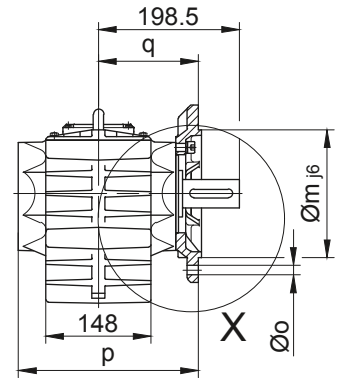
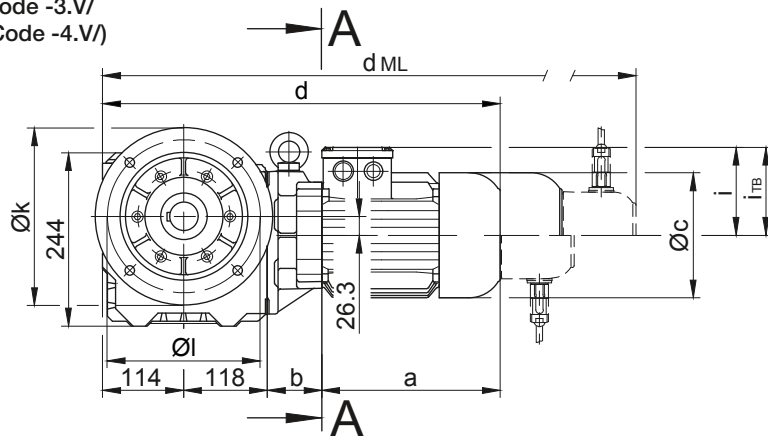
## Dimension - Standard

### BS30-BS30Z

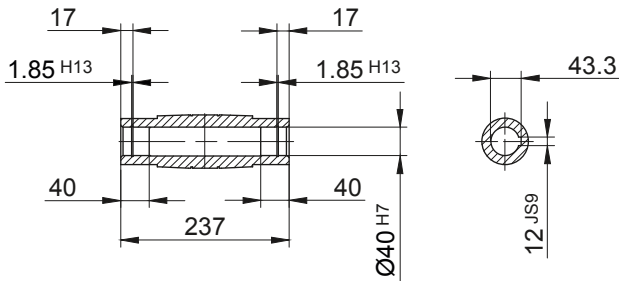
Flange with clearance holes at front

Code -3.V/

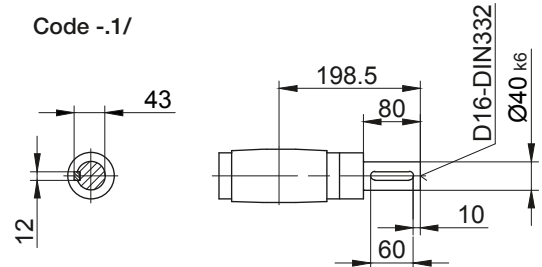
(Code -4.V/)



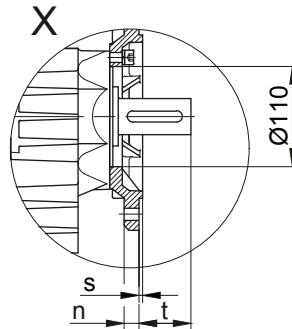
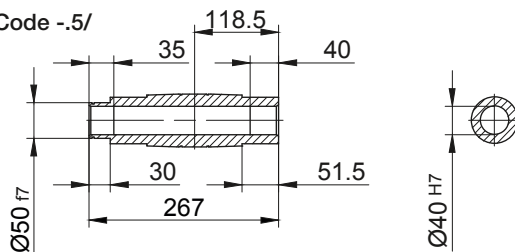
#### Code -4/



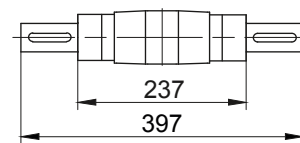
#### Code -1/



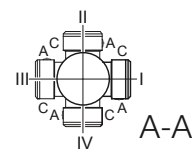
#### Code -5/



#### Code -3/



Standard



#### Flange Dimensions

Type	Design	k	l	m	n	o	p	q	s	t
BS30..	Code -3.V/	250	215	180	16	13.5	253.5	141	4	57.5
BS30..	Code -4.V/	300	265	230	20	13.5	259.5	147	4	51.5

Dimensions in millimetres (mm)

Type	a	b	c	d	i	Design with motor extensions				
						i <sub>TB</sub>	Brake	Encoder	Brake with Encoder	Back Stop
							d <sub>ML</sub>	d <sub>ML</sub>	d <sub>ML</sub>	d <sub>ML</sub>
BS30-../D..05.A.	170.5	58	123	460.5	101.5	117	502.5	563	600.5	-
BS30Z-../D..05.A.	170.5	133.5	123	536	101.5	117	578	638.5	676	-
BS30-../D..06.A.	170.5	58	123	460.5	101.5	119	502.5	563	600.5	-
BS30Z-../D..06.A.	170.5	133.5	123	536	101.5	119	578	638.5	676	-
BS30-../D..07.A.	190.5	58	123	480.5	101.5	119	522.5	583	620.5	-
BS30Z-../D..07.A.	190.5	133.5	123	556	101.5	119	598	658.5	696	-
BS30-../D..08.A.	199.5	62	156	493.5	116	136.5	559.5	605.5	667	559.5
BS30Z-../D..08.A.	199.5	137.5	156	569	116	136.5	635	681	742.5	635
BS30-../D..08.B.	229.5	62	156	523.5	116	136.5	589.5	635.5	696.5	589.5
BS30Z-../D..08.B.	229.5	137.5	156	599	116	136.5	665	711	772	665
BS30-../D..09.A.	250.5	76.5	176	559	125.5	157	652	666.5	756	652
BS30Z-../D..09.A.	250.5	152	176	634.5	125.5	157	727.5	742	831.5	727.5
BS30-../D..09.B.	308.5	76.5	176	617	125.5	157	710	724	814	710
BS30Z-../D..09.B.	308.5	152	176	692.5	125.5	157	785.5	799.5	889.5	785.5
BS30-../D..11.A.	319	83	218	634	165	176	732	741.5	834	732
BS30-../D..11.B.	387	83	218	702	165	176	798	809.5	902	798

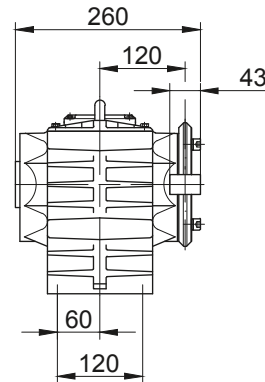
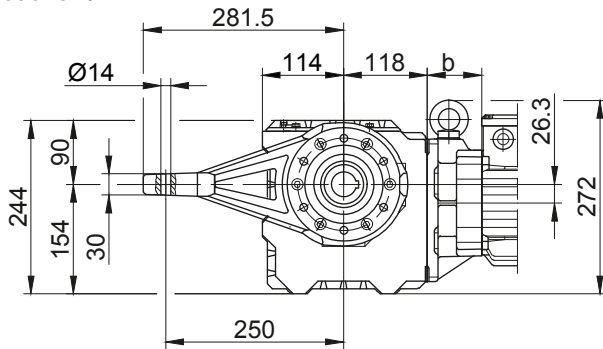
Dimensions in millimetres (mm)

The actual gearbox design can vary from the geometry shown. Generate drive specific 3D and 2D geometries under [www.BauerCat.com](http://www.BauerCat.com).

### BS30-BS30Z

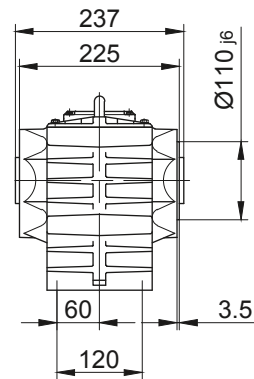
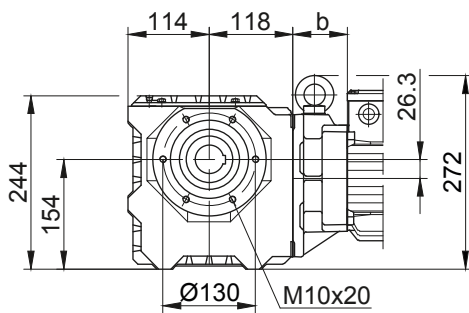
Torque arm at front

Code -5.V/



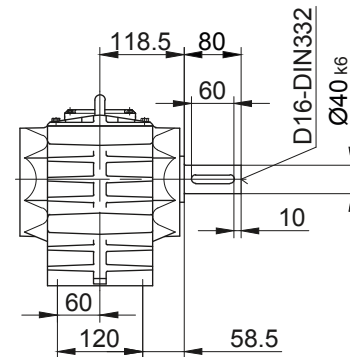
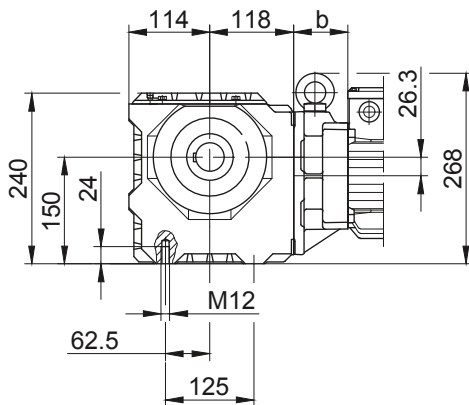
Flange with tapped holes at front

Code -7.V/



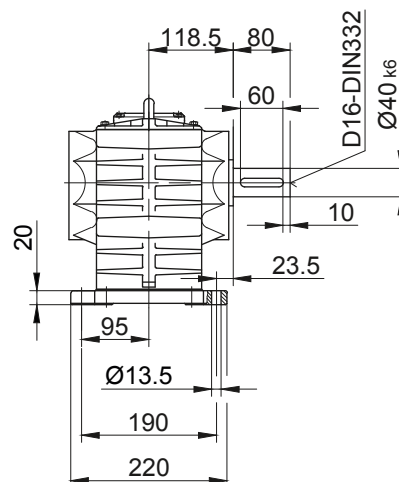
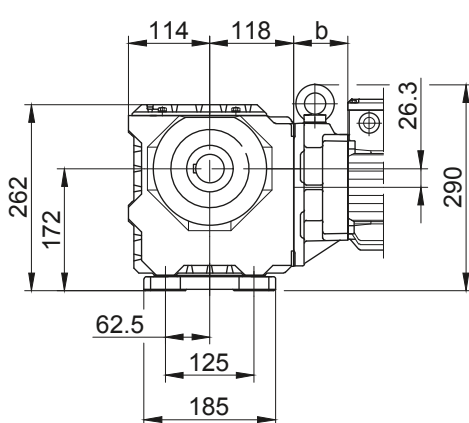
Foot with tapped holes at bottom

Code -6.U/



Foot with clearance holes at bottom

Code -1.U/



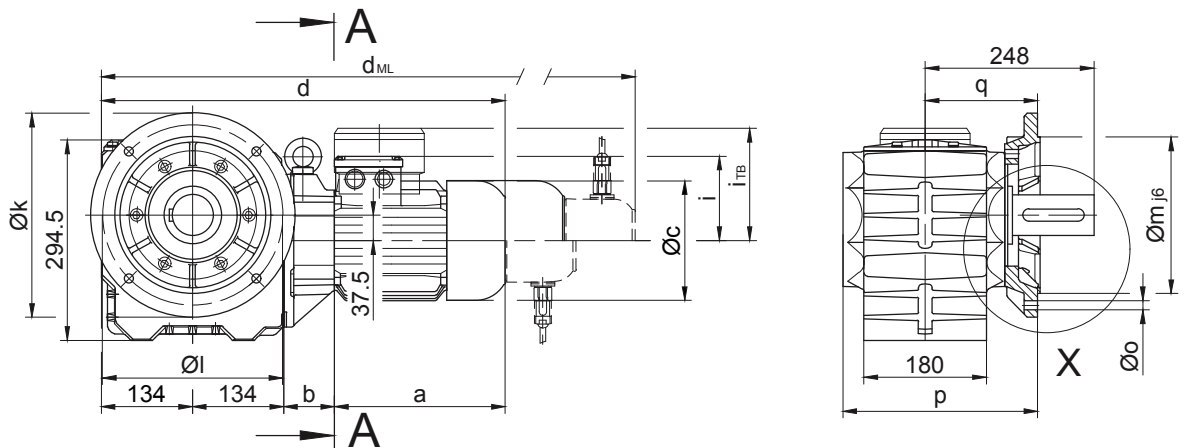
# BS-series worm-geared motors

## Dimension - Standard

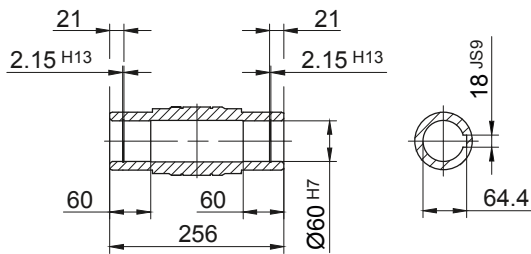
### BS40-BS40Z

Flange with clearance holes at front

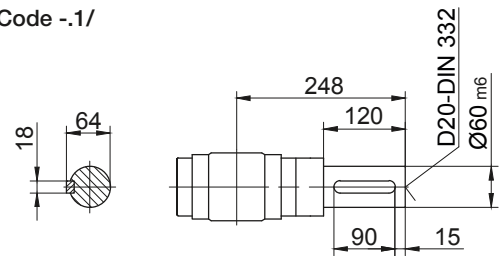
Code -3.V/



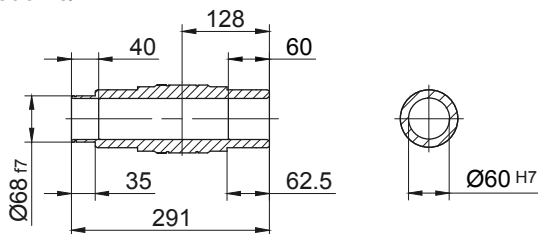
### Code -4/



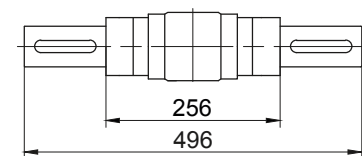
### Code -1/



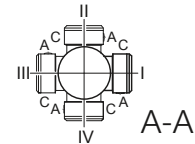
### Code -5/



### Code -3/



Standard



### Flange Dimensions

Type	Design	k	l	m	n	o	p	q	s	t
BS40..	Code -3.V/	300	265	230	20	13.5	286	165	4	83

Dimensions in millimetres (mm)

Type	a	b	c	d	i	Design with motor extensions				
						i <sub>TB</sub>	Brake	Encoder	Brake with Encoder	Back Stop
							d <sub>ML</sub>	d <sub>ML</sub>	d <sub>ML</sub>	d <sub>ML</sub>
BS40Z-../D..05.A.	170.5	138.5	123	577	101.5	117	619	679.5	717	-
BS40Z-../D..06.A.	170.5	138.5	123	577	101.5	119	619	679.5	717	-
BS40Z-../D..07.A.	190.5	138.5	123	597	101.5	119	639	699.5	737	-
BS40-../D..08.A.	199.5	60	156	527.5	116	136.5	593.5	639.5	701	593.5
BS40Z-../D..08.A.	199.5	142.5	156	610	116	136.5	676	722	783.5	676
BS40-../D..08.B.	229.5	60	156	557.5	116	136.5	623.5	669.5	730.5	623.5
BS40Z-../D..08.B.	229.5	142.5	156	640	116	136.5	706	752	813	706
BS40-../D..09.A.	250.5	74.5	176	593	125.5	157	686	700.5	790	686
BS40Z-../D..09.A.	250.5	157	176	675.5	125.5	157	768.5	783	872.5	768.5
BS40-../D..09.B.	308.5	74.5	176	651	125.5	157	744	758	848	744
BS40Z-../D..09.B.	308.5	157	176	733.5	125.5	157	826.5	840.5	930.5	826.5
BS40-../D..11.A.	319	81	218	668	165	176	766	775.5	868	766
BS40-../D..11.B.	387	81	218	736	165	176	832	843.5	936	832

Dimensions in millimetres (mm)

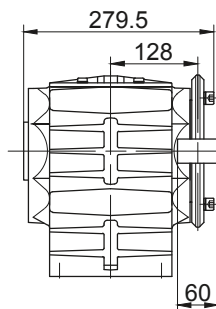
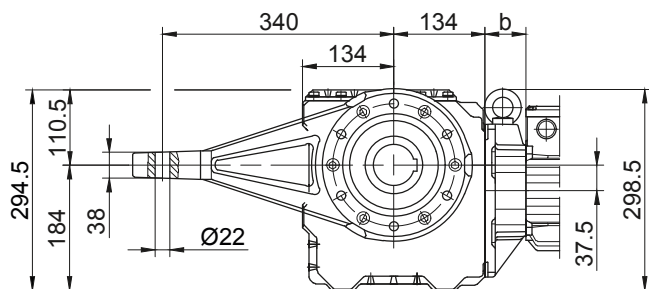
The actual gearbox design can vary from the geometry shown. Generate drive specific 3D and 2D geometries under [www.BauerCat.com](http://www.BauerCat.com).



### BS40-BS40Z

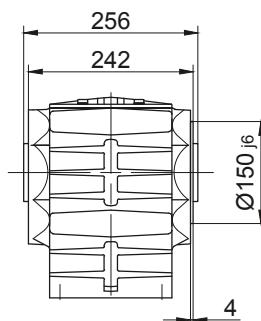
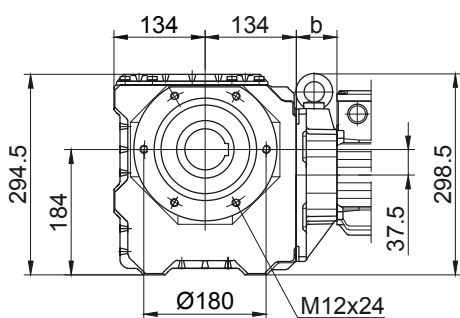
Torque arm at front

Code -5.V/



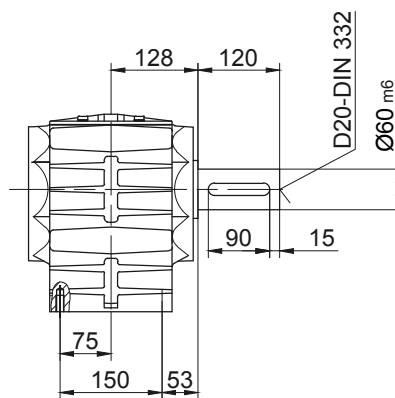
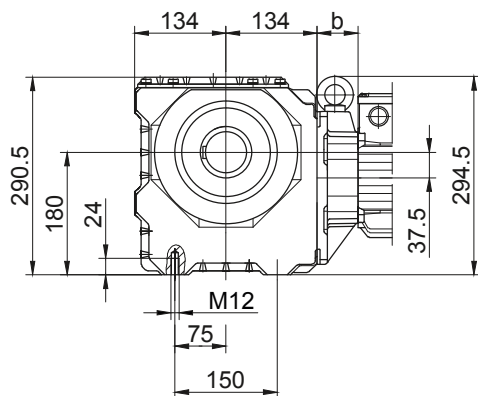
Flange with tapped holes at front

Code -7.V/



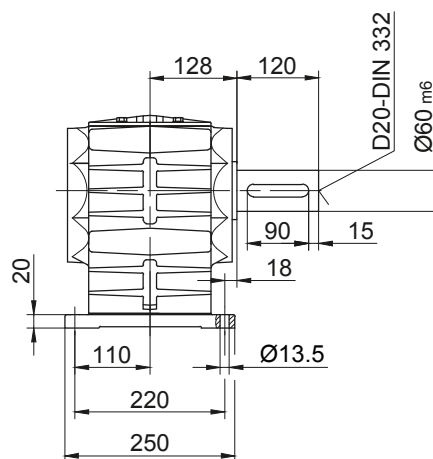
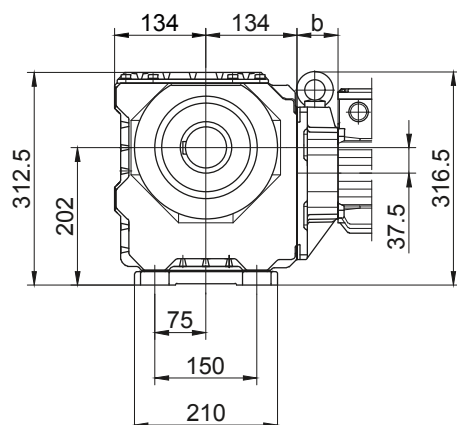
Foot with tapped holes at bottom

Code -6.U/



Foot with clearance holes at bottom

Code -1.U/



The actual gearbox design can vary from the geometry shown. Generate drive specific 3D and 2D geometries under [www.BauerCat.com](http://www.BauerCat.com).

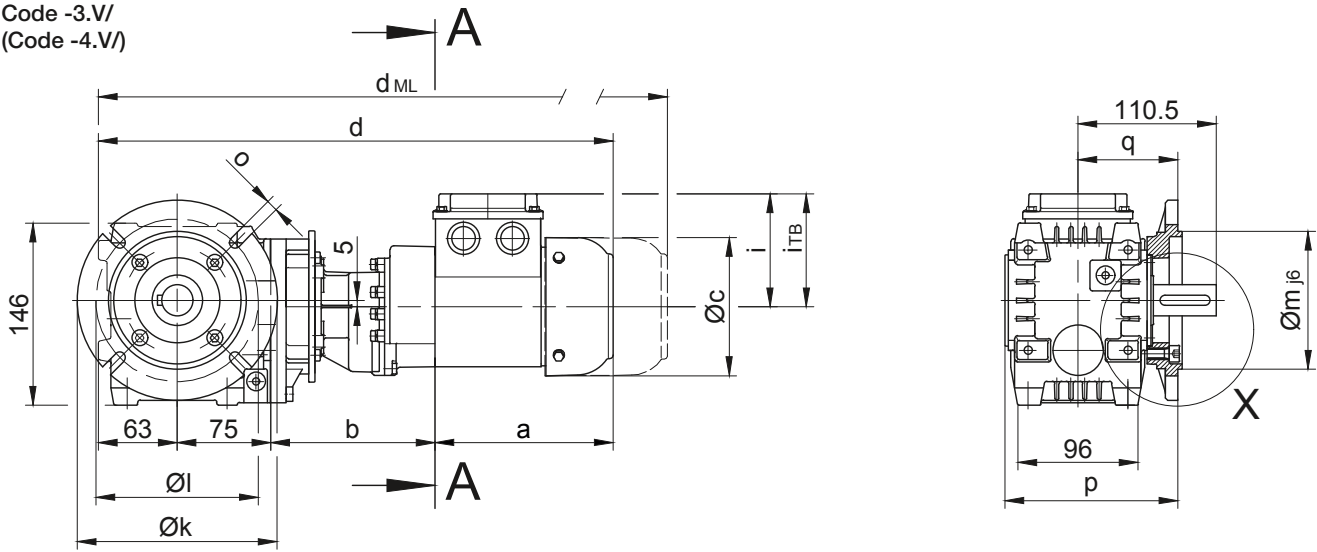
# BS-series worm-geared motors

## Dimension - Tandem Gearbox

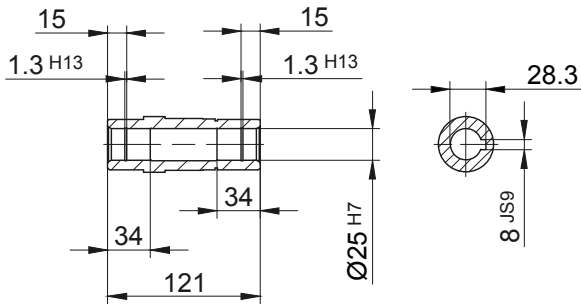
### BS06G04

Flange with clearance holes at front

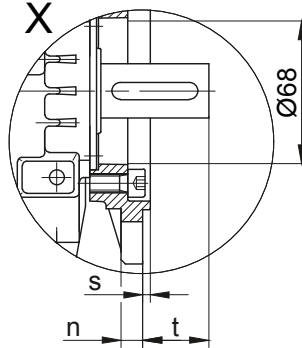
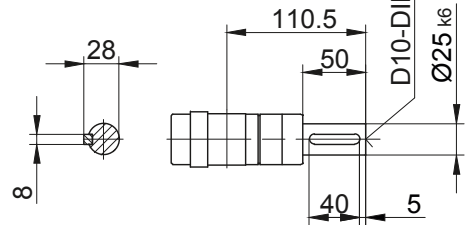
Code -3.V/  
(Code -4.V)



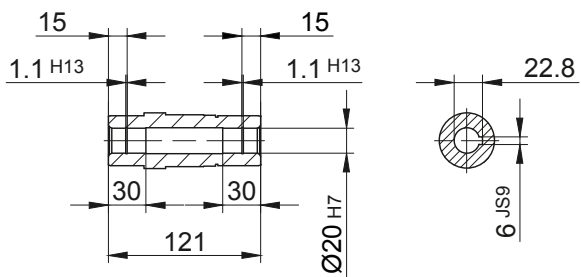
Code -4/  
Standard



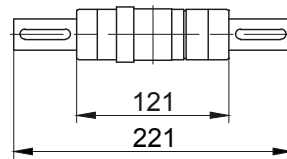
Code -.1/



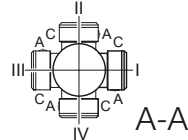
Code -4/K20



Code -3/



Standard



Flange Dimensions										
Type	Design	k	l	m	n	o	p	q	s	t
BS06..	Code -3.V/	140	115	95	10	9	138.3	80	3	30.5
BS06..	Code -4.V/	160	130	110	10	9	138.3	80	3.5	30.5

Dimensions in millimetres (mm)

Type	a	b	c	d	i	Design with motor extensions				
						i <sub>TB</sub>	Brake	Encoder	Brake with Encoder	Back Stop
							d <sub>ML</sub>	d <sub>ML</sub>	d <sub>ML</sub>	d <sub>ML</sub>
BS06G04-.../D04.A.	142.5	131	110.5	411.5	90	112	455	499	542.5	-

Dimensions in millimetres (mm)

The actual gearbox design can vary from the geometry shown. Generate drive specific 3D and 2D geometries under [www.BauerCat.com](http://www.BauerCat.com).

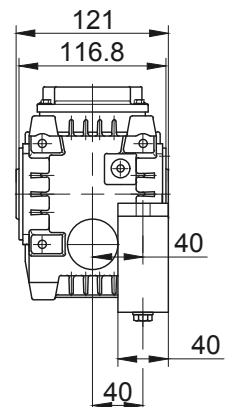
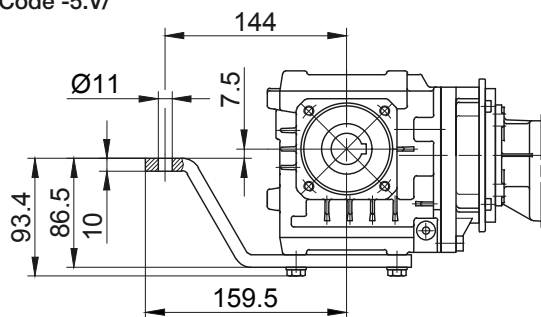
# BS-series worm-geared motors

## Dimension - Tandem Gearbox

### BS06G04

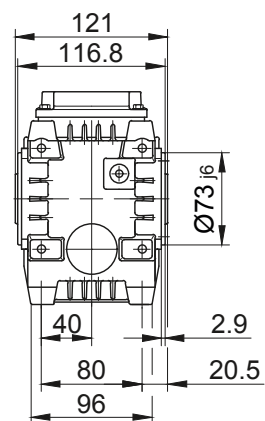
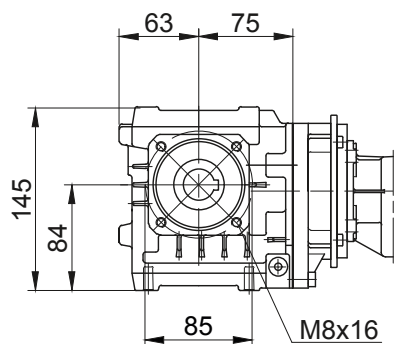
Torque arm at front

Code -5.V/



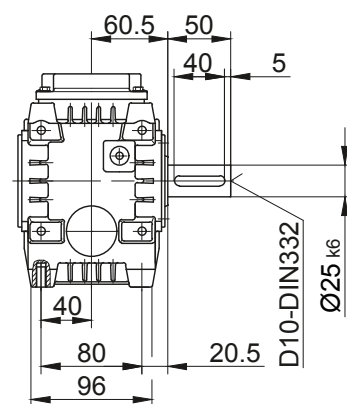
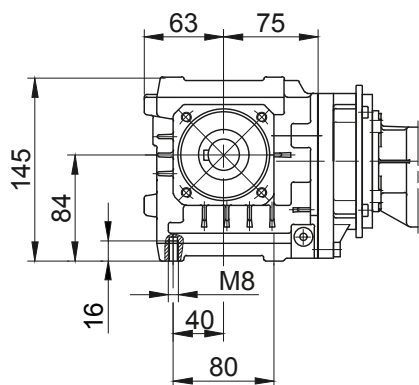
Flange with tapped holes at front

Code -7.V/



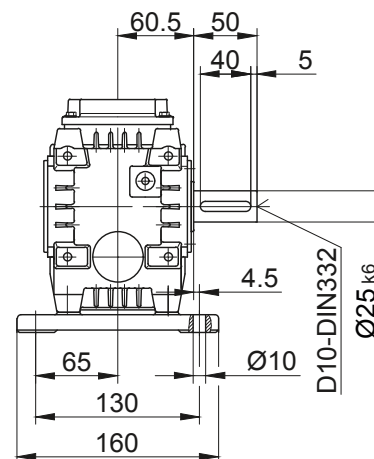
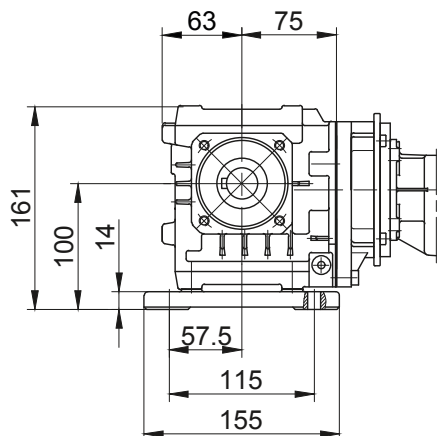
Foot with tapped holes at bottom

Code -6.U/



Foot with clearance holes at bottom

Code -1.U/



The actual gearbox design can vary from the geometry shown. Generate drive specific 3D and 2D geometries under [www.BauerCat.com](http://www.BauerCat.com).



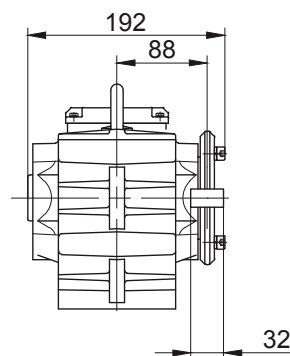
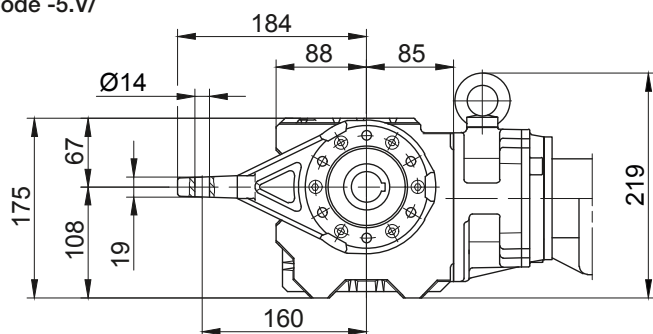
# BS-series worm-gearred motors

## Dimension - Tandem Gearbox

### BS10G06

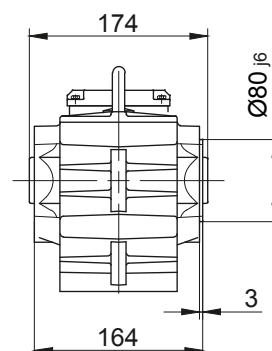
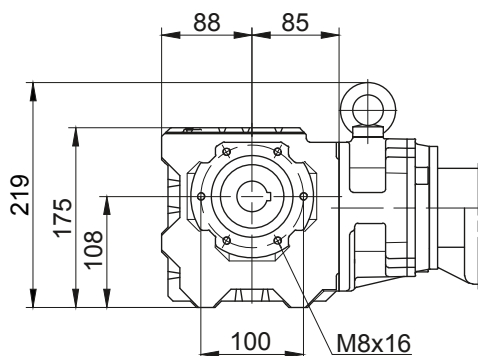
Torque arm at front

Code -5.V/



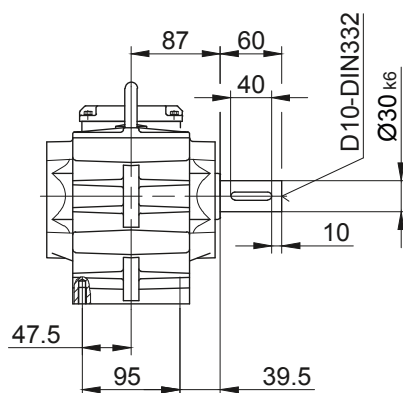
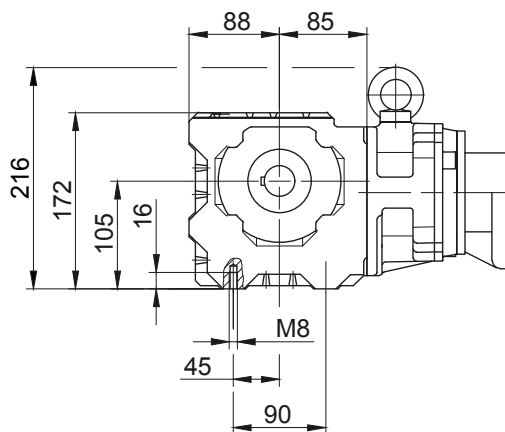
Flange with tapped holes at front

Code -7.V/



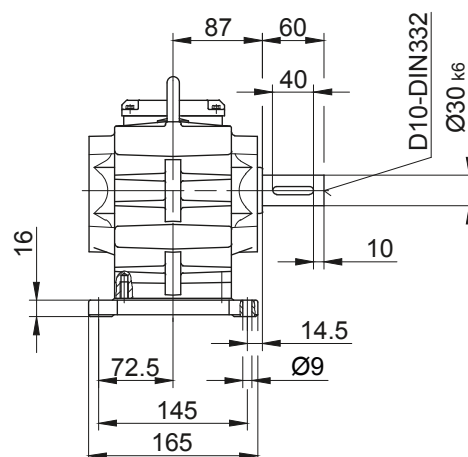
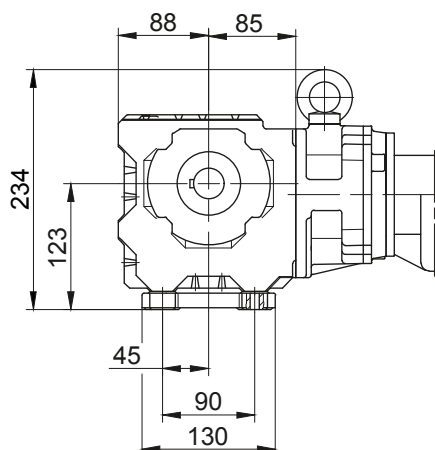
Foot with tapped holes at bottom

Code -6.U/



Foot with clearance holes at bottom

Code -1.U/



The actual gearbox design can vary from the geometry shown. Generate drive specific 3D and 2D geometries under [www.BauerCat.com](http://www.BauerCat.com).

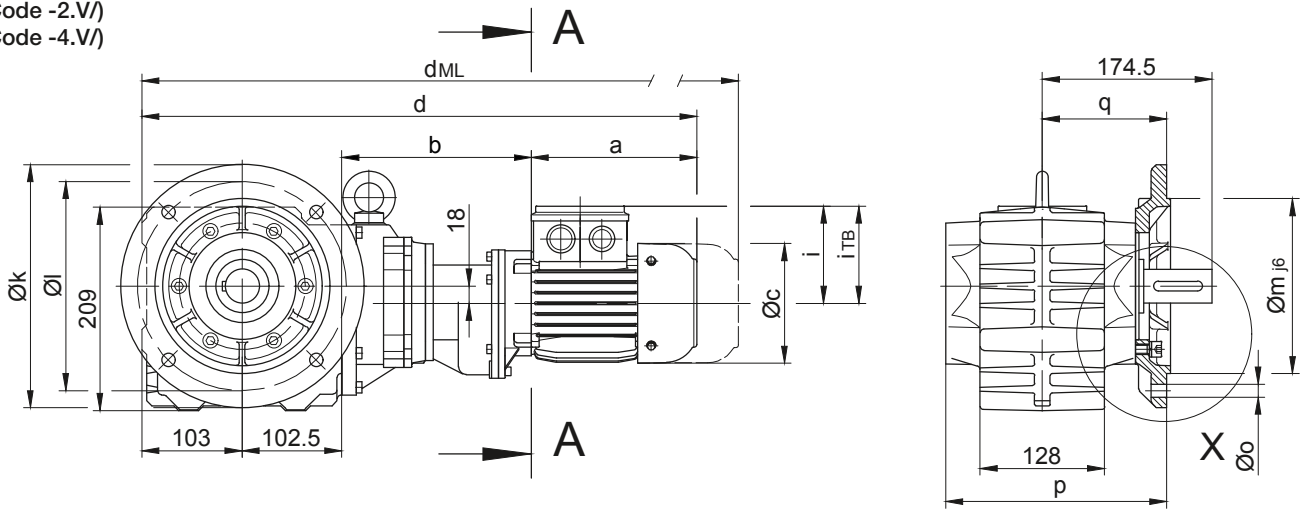
# BS-series worm-geared motors

## Dimension - Tandem Gearbox

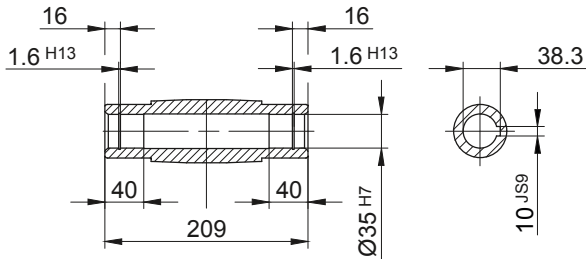
### BS20G06

Flange with clearance holes at front

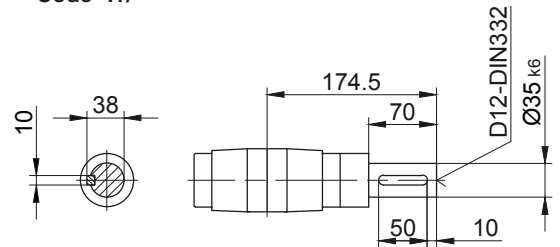
Code -3.V/  
(Code -2.V/  
(Code -4.V/)



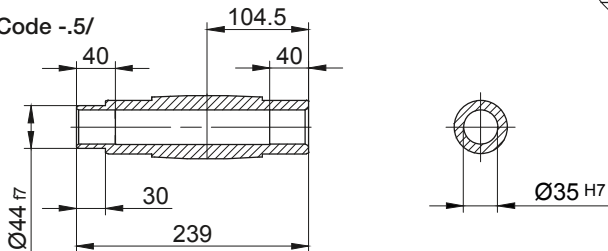
### Code -4/



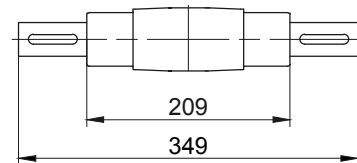
### Code -.1/



### Code -.5/



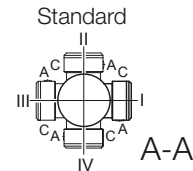
### Code -.3/



### Flange Dimensions

Type	Design	k	l	m	n	o	p	q	s	t
BS20..	Code -3.V/	250	215	180	16	13.5	227.5	128	4	46.5
BS20..	Code -2.V/	200	165	130	12	11	224.5	125	3.5	49.5
BS20..	Code -4.V/	300	265	230	20	13.5	233.5	134	4	40.5

Dimensions in millimetres (mm)



Type	a	b	c	d	i	Design with motor extensions				
						i <sub>TB</sub>	Brake	Encoder	Brake with Encoder	Back Stop
							d <sub>ML</sub>	d <sub>ML</sub>	d <sub>ML</sub>	d <sub>ML</sub>
BS20G06-../D04.A.	142.5	193	110.5	541	90	112	584.5	628.5	672	-
BS20G06-../D..05.A.	170.5	195	123	571	101.5	117	613	673.5	711	-
BS20G06-../D..06.A.	170.5	195	123	571	101.5	119	613	673.5	711	-
BS20G06-../D..07.A.	190.5	195	123	591	101.5	119	633	693.5	731	-
BS20G06-../D..08.A.	199.5	239	156	644	116	136.5	710	756	817.5	710
BS20G06-../D..08.B.	229.5	239	156	674	116	136.5	740	786	847	740

Dimensions in millimetres (mm)

The actual gearbox design can vary from the geometry shown. Generate drive specific 3D and 2D geometries under [www.BauerCat.com](http://www.BauerCat.com).

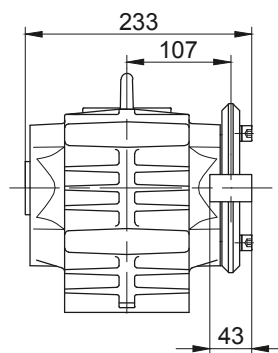
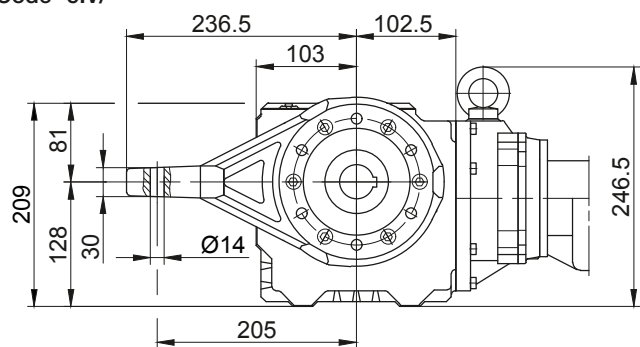
# BS-series worm-gearred motors

## Dimension - Tandem Gearbox

### BS20G06

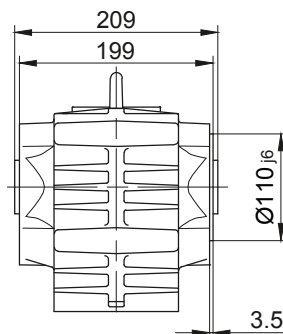
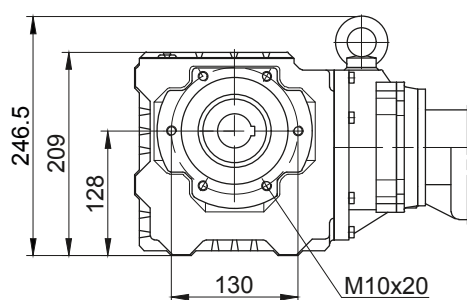
Torque arm at front

Code -5.V/



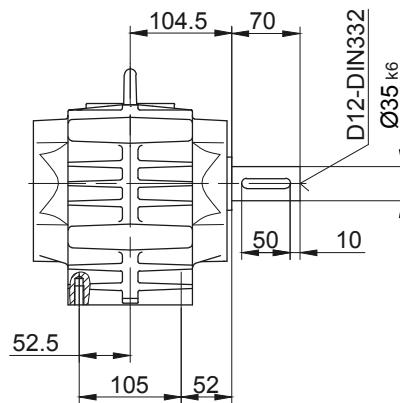
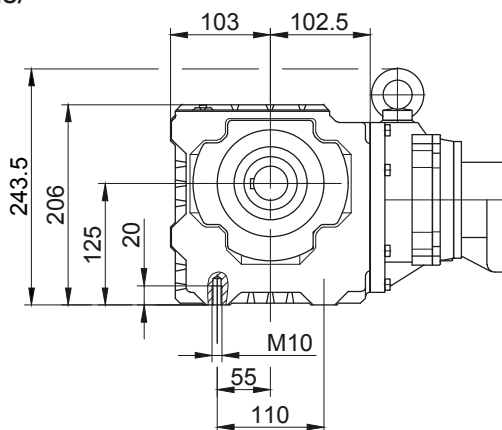
Flange with tapped holes at front

Code -7.V/



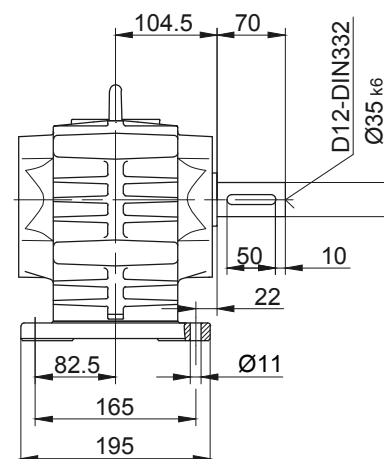
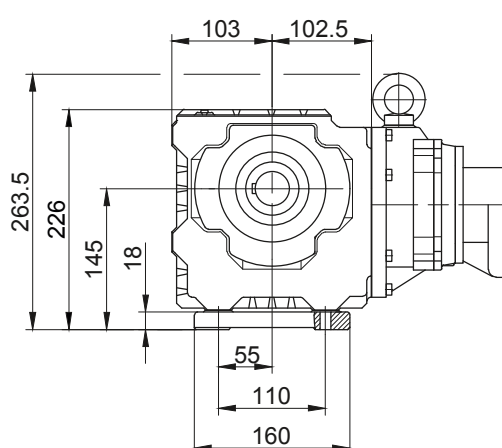
Foot with tapped holes at bottom

Code -6.U/



Foot with clearance holes at bottom

Code -1.U/



The actual gearbox design can vary from the geometry shown. Generate drive specific 3D and 2D geometries under [www.BauerCat.com](http://www.BauerCat.com).

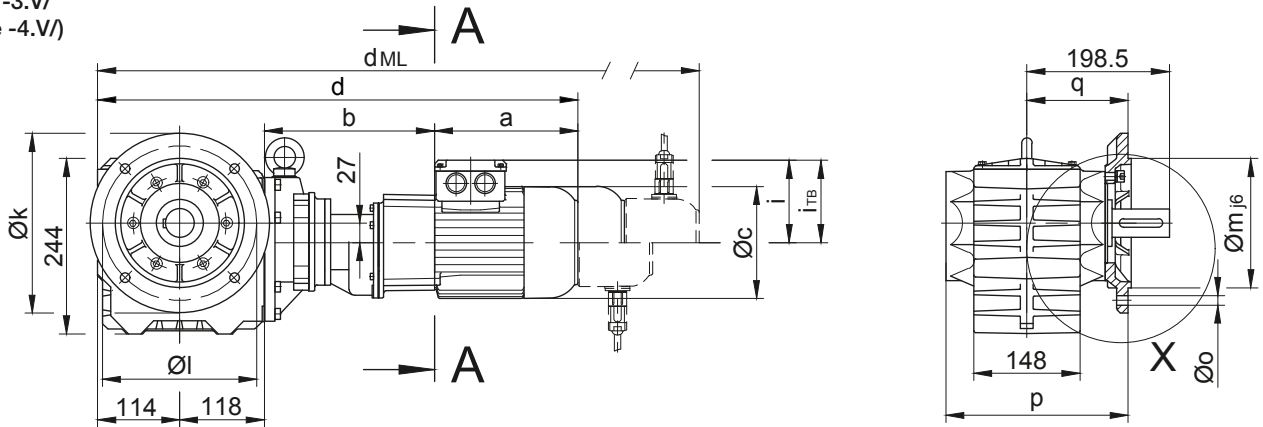
# BS-series worm-geared motors

## Dimension - Tandem Gearbox

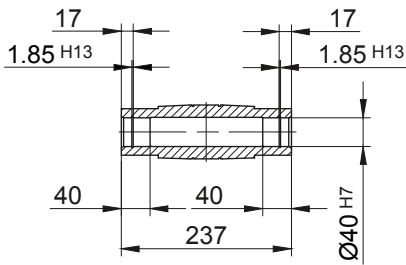
### BS30G06

Flange with clearance holes at front

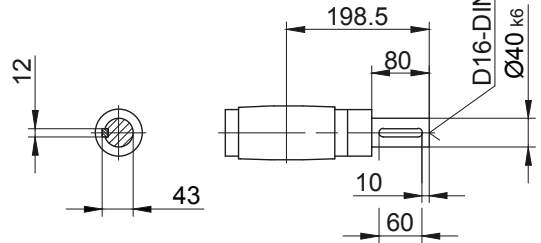
Code -3.V/  
(Code -4.V)



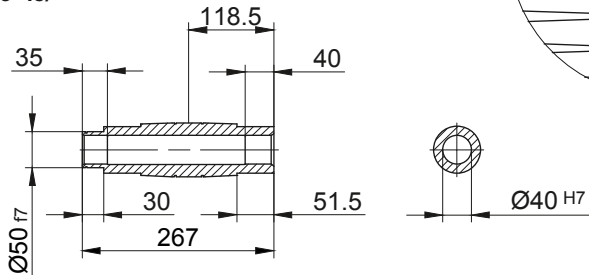
#### Code -4/



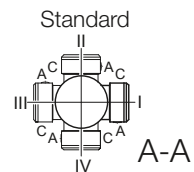
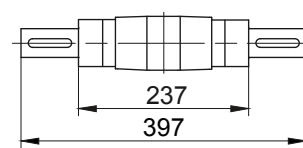
#### Code -1/



#### Code -5/



#### Code -3/



Type	Design	k	l	m	n	o	p	q	s	t
BS30..	Code -3.V/	250	215	180	16	13.5	253.5	141	4	57.5
BS30..	Code -4.V/	300	265	230	20	13.5	259.5	147	4	51.5

Dimensions in millimetres (mm)

Type	a	b	c	d	i	Design with motor extensions				
						i <sub>TB</sub>	Brake	Encoder	Brake with Encoder	Back Stop
							d <sub>ML</sub>	d <sub>ML</sub>	d <sub>ML</sub>	d <sub>ML</sub>
BS30G06-../D04.A.	142.5	191	110.5	565.5	90	112	609	653	696.5	-
BS30G06-../D..05.A.	170.5	193	123	595.5	101.5	117	637.5	698	735.5	-
BS30G06-../D..06.A.	170.5	193	123	595.5	101.5	119	637.5	698	735.5	-
BS30G06-../D..07.A.	190.5	193	123	615.5	101.5	119	657.5	718	755.5	-
BS30G06-../D..08.A.	199.5	237	156	668.5	116	136.5	734.5	780.5	842	734.5
BS30G06-../D..08.B.	229.5	237	156	698.5	116	136.5	764.5	810.5	871.5	764.5

Dimensions in millimetres (mm)

The actual gearbox design can vary from the geometry shown. Generate drive specific 3D and 2D geometries under [www.BauerCat.com](http://www.BauerCat.com).



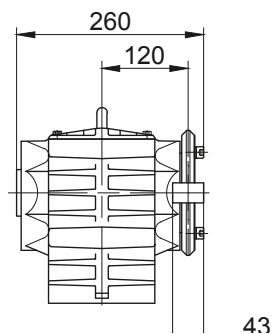
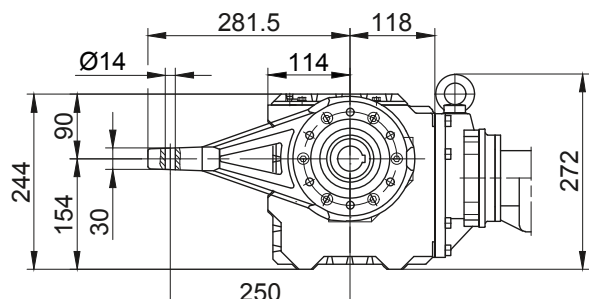
# BS-series worm-gearred motors

## Dimension - Tandem Gearbox

### BS30G06

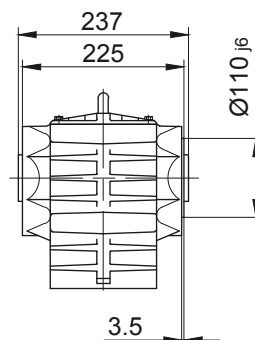
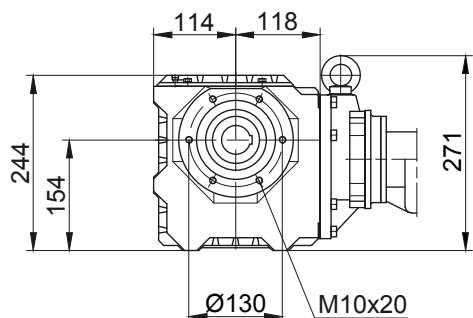
Torque arm at front

Code -5.V/



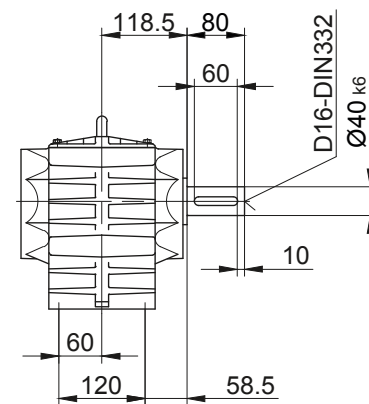
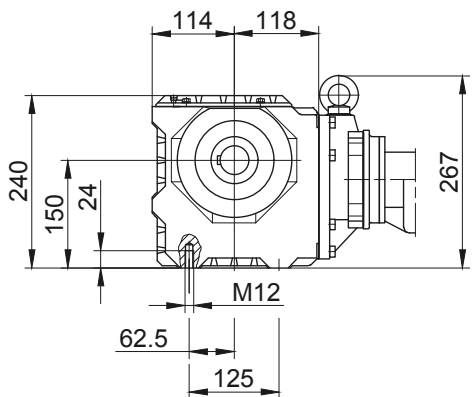
Flange with tapped holes at front

Code -7.V/



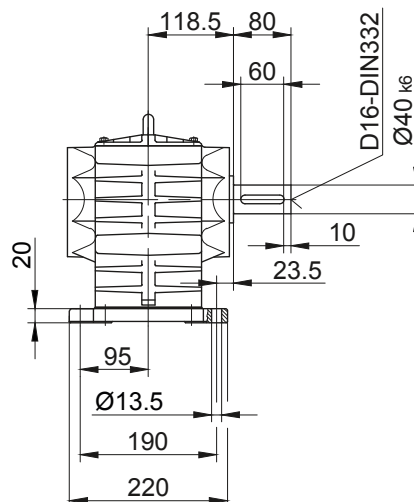
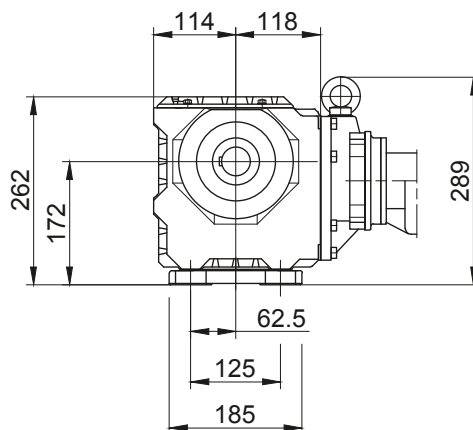
Foot with tapped holes at bottom

Code -6.U/



Foot with clearance holes at bottom

Code -1.U/



The actual gearbox design can vary from the geometry shown. Generate drive specific 3D and 2D geometries under [www.BauerCat.com](http://www.BauerCat.com).

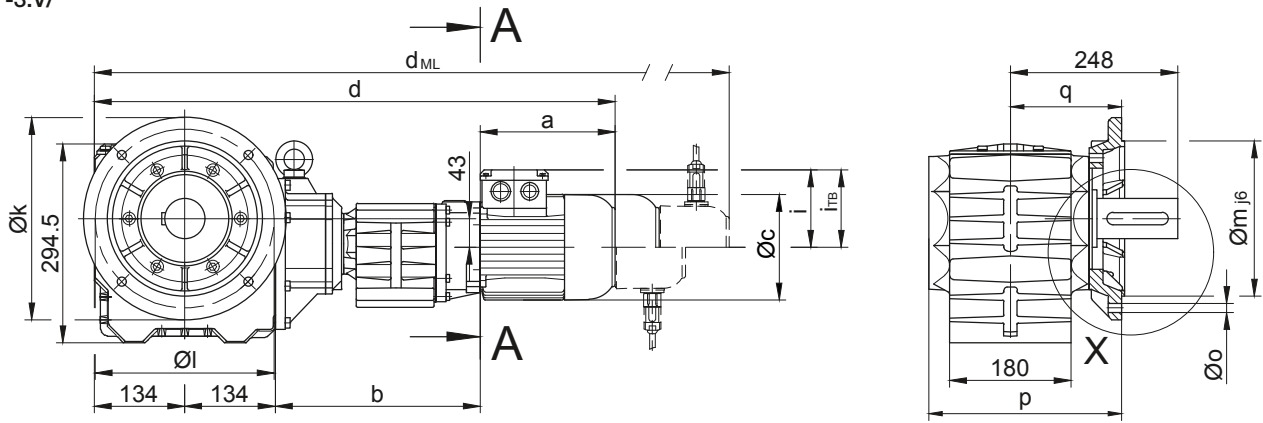
# BS-series worm-geared motors

## Dimension - Tandem Gearbox

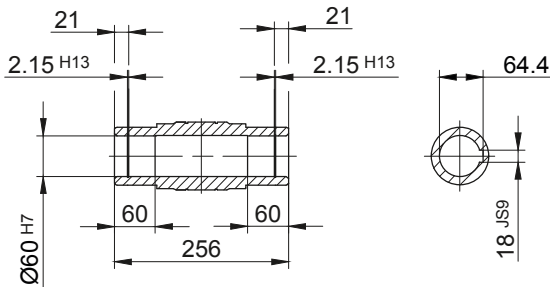
### BS40G10

Flange with clearance holes at front

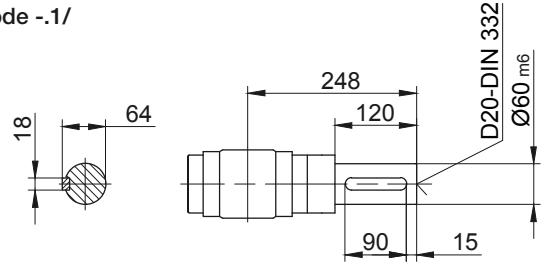
Code -3.V/



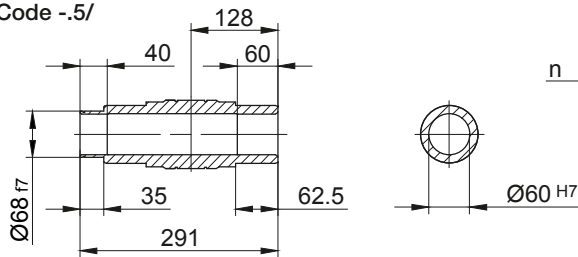
### Code -.4/



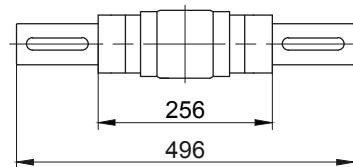
### Code -.1/



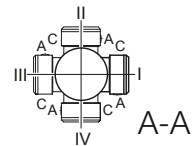
### Code -.5/



### Code -.3/



Standard



Flange Dimensions		k	l	m	n	o	p	q	s	t
Type	Design									
BS40..	Code -3.V/	300	265	230	20	13.5	286	165	4	83

Dimensions in millimetres (mm)

Type	a	b	c	d	i	Design with motor extensions				
						i <sub>TB</sub>	Brake	Encoder	Brake with Encoder	Back Stop
							d <sub>ML</sub>	d <sub>ML</sub>	d <sub>ML</sub>	d <sub>ML</sub>
BS40G10-../D..05.A.	170.5	300	123	738.5	101.5	117	780.5	841	878.5	-
BS40G10-../D..06.A.	170.5	300	123	738.5	101.5	119	780.5	841	878.5	-
BS40G10-../D..07.A.	190.5	300	123	758.5	101.5	119	800.5	861	898.5	-
BS40G10-../D..08.A.	199.5	304	156	771.5	116	136.5	837.5	883.5	945	837.5
BS40G10-../D..08.B.	229.5	304	156	801.5	116	136.5	867.5	913.5	974.5	867.5
BS40G10-../D..09.A.	250.5	318.5	176	837	125.5	157	930	944.5	1034	930
BS40G10-../D..09.B.	308.5	318.5	176	895	125.5	157	988	1002	1092	988

Dimensions in millimetres (mm)

The actual gearbox design can vary from the geometry shown. Generate drive specific 3D and 2D geometries under [www.BauerCat.com](http://www.BauerCat.com).

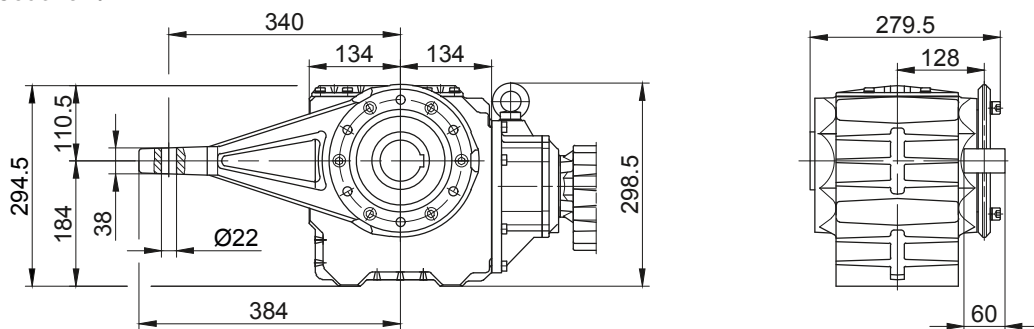
# BS-series worm-gearred motors

## Dimension - Tandem Gearbox

### BS40G10

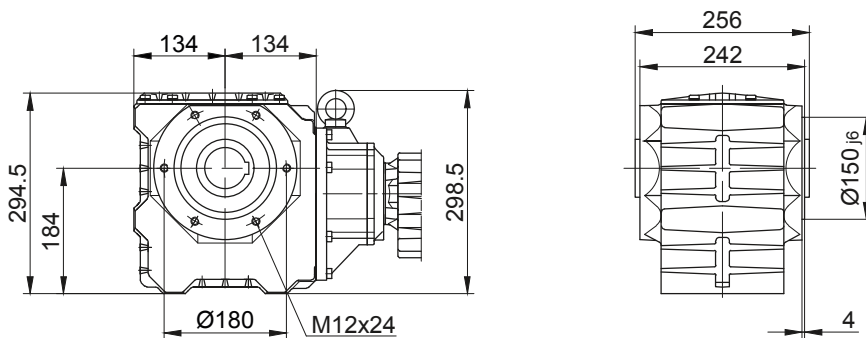
Torque arm at front

Code -5.V/



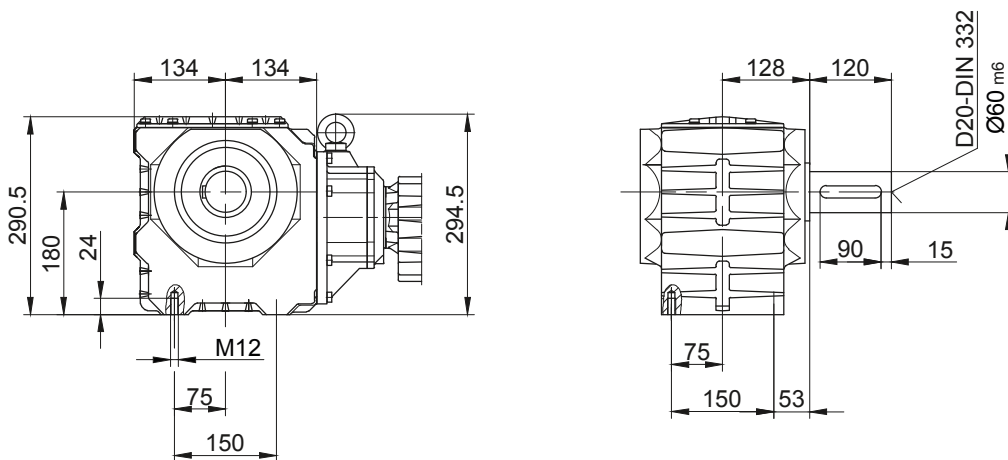
Flange with tapped holes at front

Code -7.V/



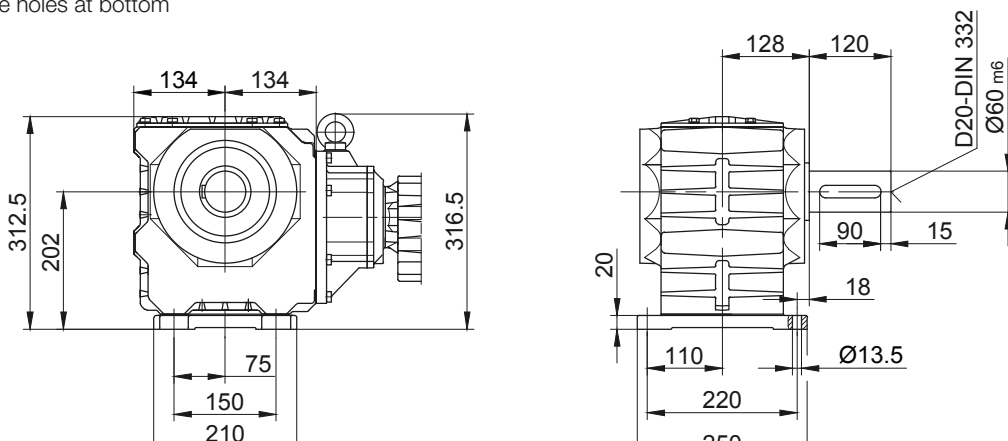
Foot with tapped holes at bottom

Code -6.U/



Foot with clearance holes at bottom

Code -1.U/



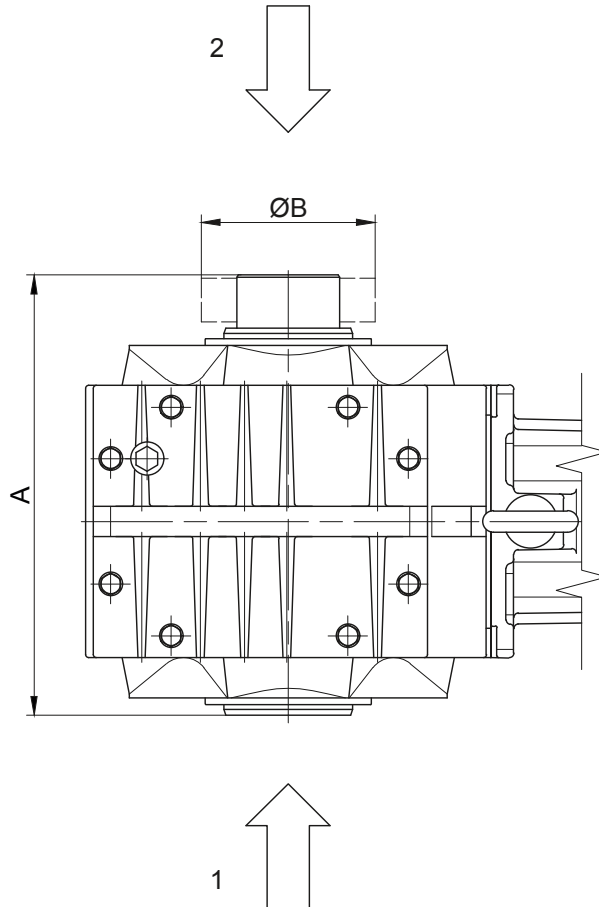
The actual gearbox design can vary from the geometry shown. Generate drive specific 3D and 2D geometries under [www.BauerCat.com](http://www.BauerCat.com).

# BS-series worm-geared motors

## Additional Dimension Sheet

### Shrink disc couplings (SSV)

(Code BS10-.5A/...)



- 1 Gear side FRONT (V)
- 2 Gear side REAR (H)

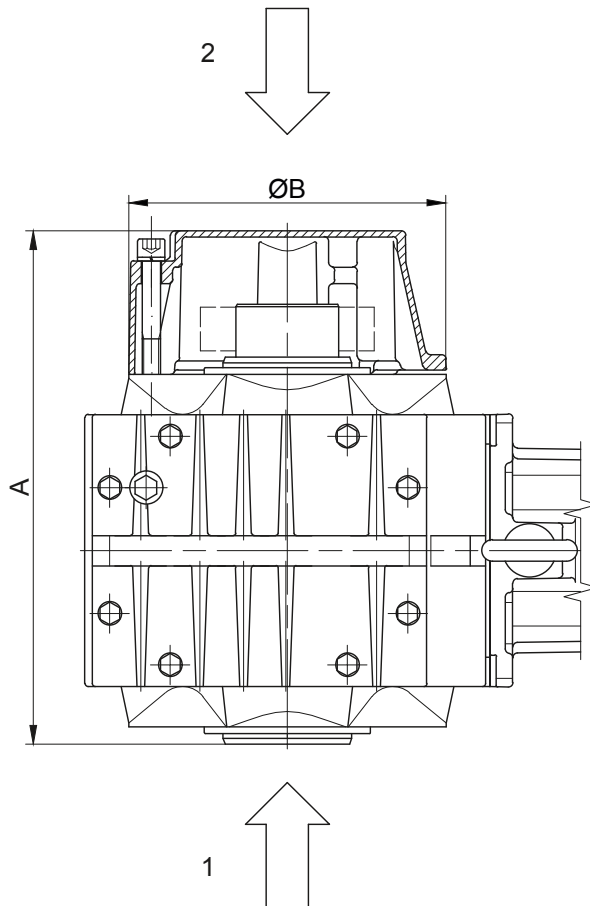
Type	SSV Ringfeder	SSV STÜWE	A	B
BS10	RfN 4161 036x072	HSD 36-22x36	199	72
BS20	RfN 4161 044x080	HSD 44-22x44	239	80
BS30	RfN 4161 050x090	HSD 50-22x50	267	90
BS40	RfN 4161 062x110	HSD 68-22x68	291	115
Dimensions in millimetres (mm)				

# BS-series worm-geared motors

## Additional Dimension Sheet

### Shrink disc couplings with (SSV) cover

(Code BS10-.5A/...)



- 1 Gear side FRONT (V)
- 2 Gear side REAR (H)

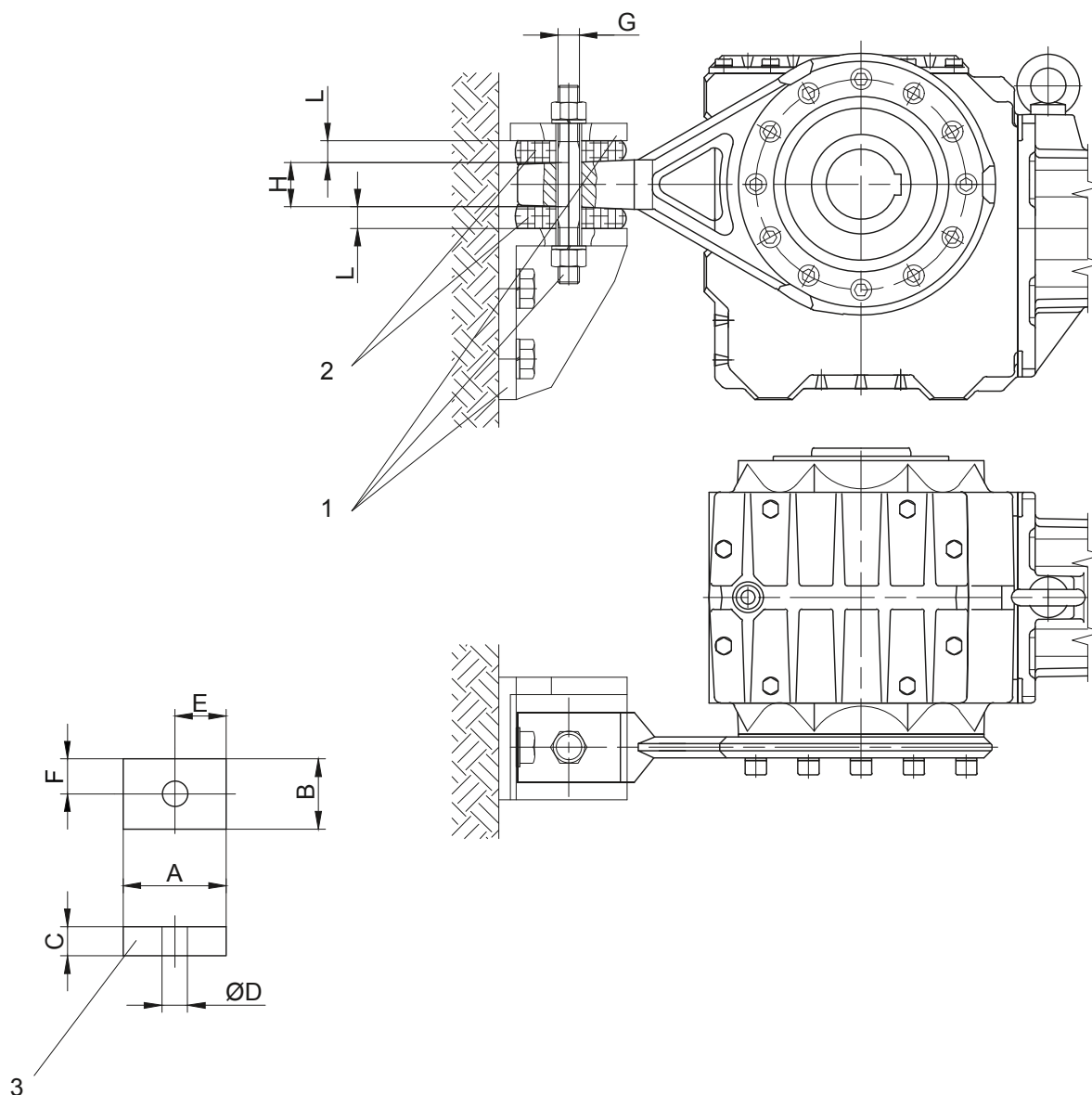
Type	SSV Ringfeder	SSV STÜWE	A	B
BS10	RfN 4161 036x072	HSD 36-22x36	221	120
BS20	RfN 4161 044x080	HSD 44-22x44	286	160
BS30	RfN 4161 050x090	HSD 50-22x50	313	160
BS40	RfN 4161 062x110	HSD 68-22x68	340	210

Dimensions in millimetres (mm)

# BS-series worm-gearred motors

## Additional Dimension Sheet

### Rubber buffer for torque restraint



- 1 not included in delivery
- 2 Rubber buffers pretensioned

- 3 Rubber buffer - only for BS03-BS40
- G maximaler Schraubendurchmesser

Material: Natural rubber  
Hardness 50 +/-5 Shore A

Dimensions of the transverse hole:  
see dimensioned sketch of the respective shaft mounted gearbox

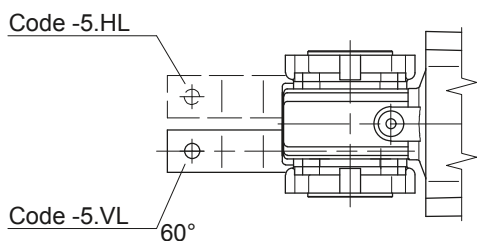
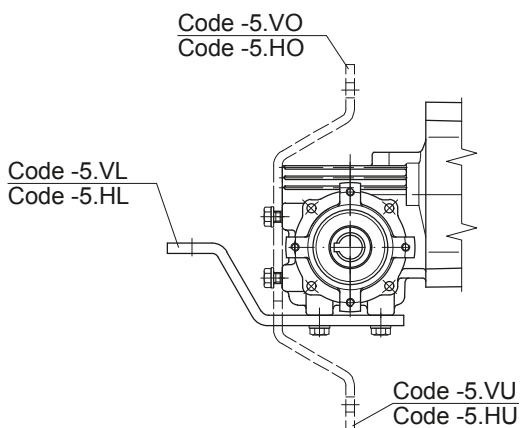
Gear	Position	A	B	C	D	E	F	G	H	L
BS02	-	-	-	-	-	-	-	M8	6	-
BS03	0	30	30	12	12	15	15	M8	10	10.5
BS04	0	30	30	12	12	15	15	M8	10	10.5
BS06	0	30	30	12	12	15	15	M10	10	10
BS10	1	48	32	15	14	24	16	M10	19	13
BS20	2	63	43	20	14	31.5	21.5	M10	30	17.5
BS30	2	63	43	20	14	31.5	21.5	M10	30	17
BS40	3	88	60	25	22	44	30	M18	38	22

Dimensions in millimetres (mm)

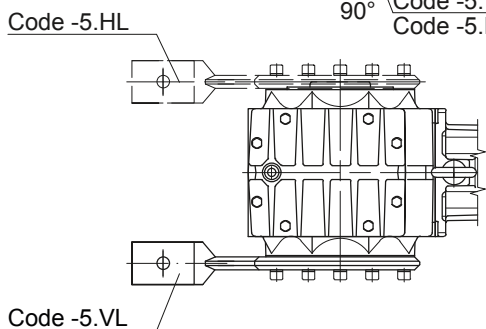
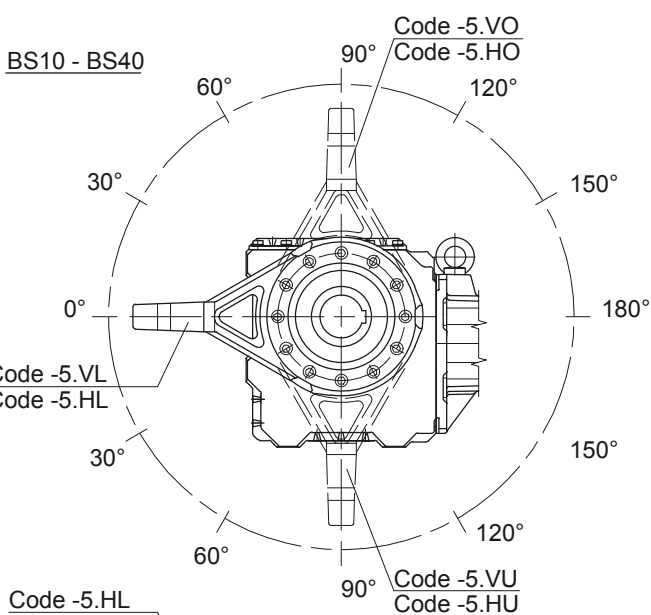
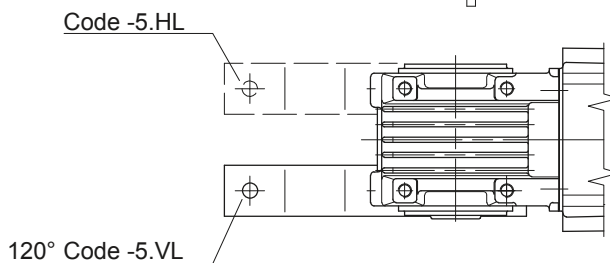
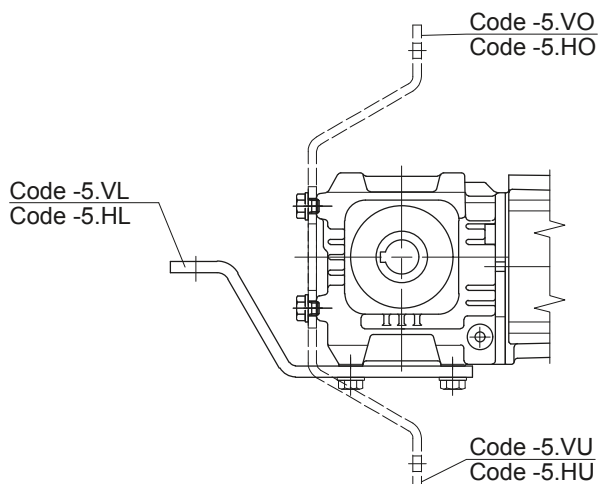
The actual gearbox design can vary from the geometry shown. Generate drive specific 3D and 2D geometries under [www.BauerCat.com](http://www.BauerCat.com).

### Position of the torque arm

BS02 / BS03



BS04 / BS06



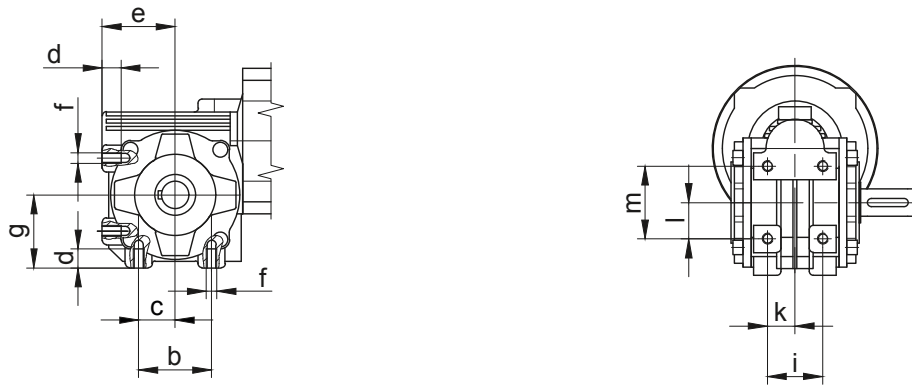
Gear	Position						
	VL/HL	VO/HO/VU/HU					VR/HR
BS10	0°	30°	60°	90°	120°	150°	-
BS20	0°	30°	60°	90°	120°	150°	-
BS30	0°	30°	60°	90°	120°	150°	-
BS40	0°	30°	60°	90°	120°	150°	-

The actual gearbox design can vary from the geometry shown. Generate drive specific 3D and 2D geometries under [www.BauerCat.com](http://www.BauerCat.com).

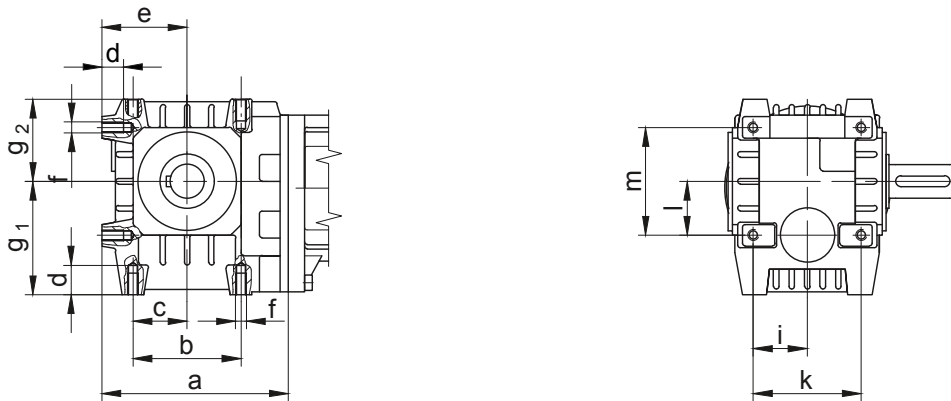
# BS-series worm-geared motors

## Additional Dimension Sheet

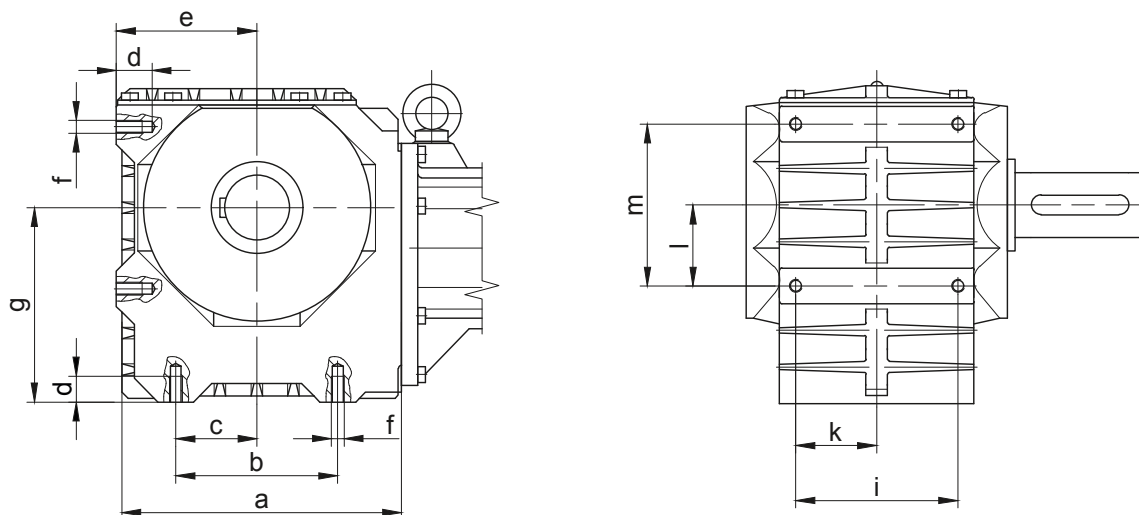
### Threaded foot



Type	a	b	c	d	e	f	g	-	i	k	l	m
BS02	-	36	18	10	40	M6	40	-	32	16	18	36
BS03	-	54	27	14	54	M8	54	-	41	20.5	27	54



Type	a	b	c	d	e	f	g1	g2	i	k	l	m
BS04	111	60	30	15.5	50	M8	64	49.5	30	60	30	60
BS06	138	80	40	16	63	M8	84	61	40	80	40	80

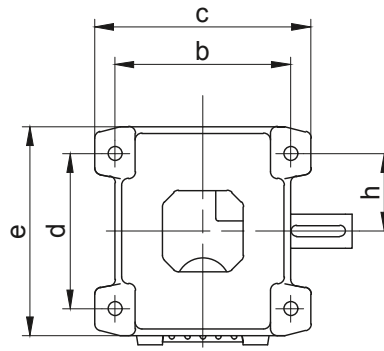
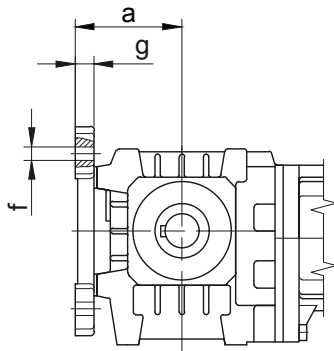


Type	a	b	c	d	e	f	g	-	i	k	l	m
BS10-BS10Z	170	90	45	16	85	M8	105	-	95	47.5	45	90
BS20-BS20Z	202.5	110	55	20	100	M10	125	-	105	52.5	55	110
BS30-BS30Z	228	125	62.5	24	110	M12	150	-	120	60	62.5	125
BS40-BS40Z	264	150	75	24	130	M12	180	-	150	75	75	150

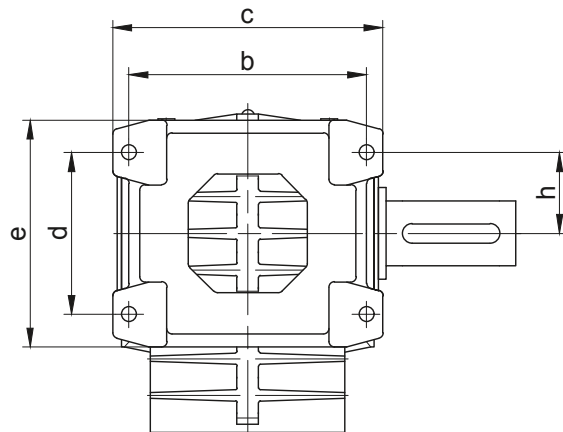
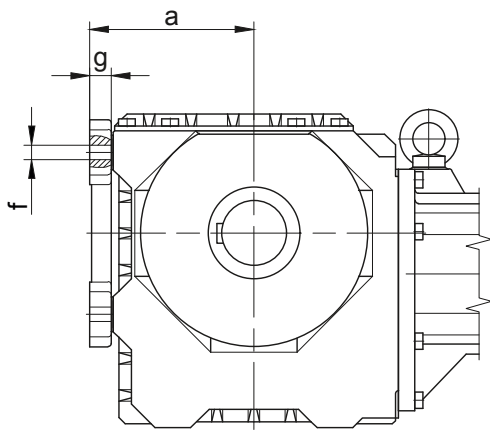
The actual gearbox design can vary from the geometry shown. Generate drive specific 3D and 2D geometries under [www.BauerCat.com](http://www.BauerCat.com).



### Foot plate, left



Type	a	b	c	d	e	f	g	h
BS04	68	110	140	90	130	10	15	45
BS06	79	130	160	115	155	10	14	57.5

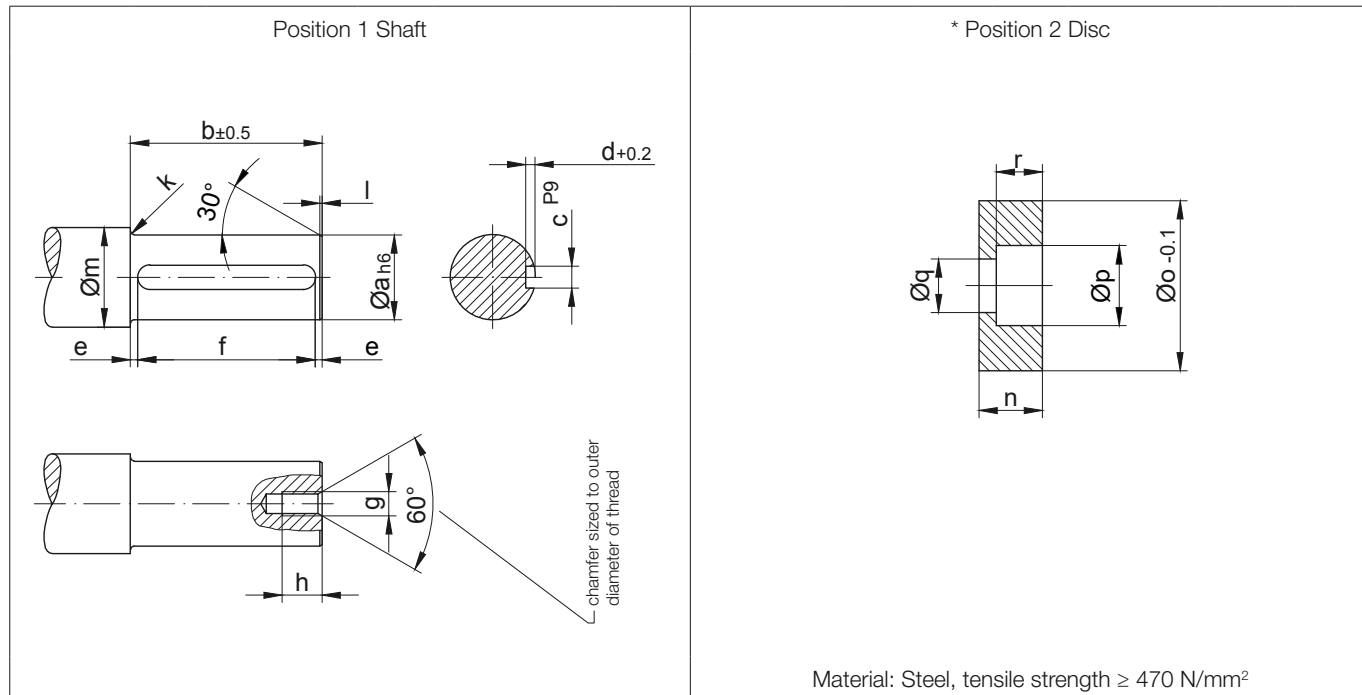


Type	a	b	c	d	e	f	g	h
BS10-BS10Z	103	145	165	90	130	Ø9	16	72.5
BS20-BS20Z	120	165	195	110	160	Ø11	18	55
BS30-BS30Z	132	190	220	125	185	Ø13.5	20	62.5
BS40-BS40Z	152	220	250	150	210	Ø13.5	20	75

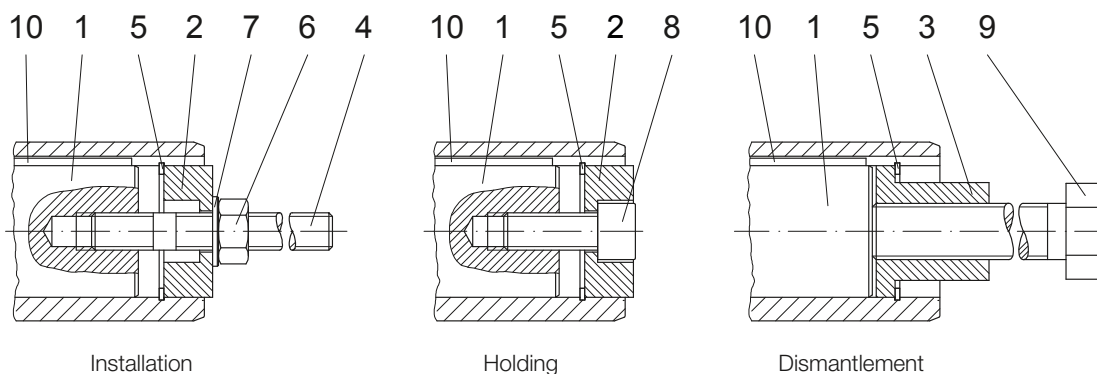
# BS-series worm-geared motors

## Additional Dimension Sheet

### Assembly tools for hollow shaft and keyway



Type	Dimensions (mm)															
	Position 1 Shaft											Position 2 Disc				
	a	b	c	d	e	f	g	h	k	l	m	n	o	p	q	r
BS03	20	75	6	3.5	6	63 <sup>+0.3</sup>	M6	16	2	1.5	28	13.5	19.8	11	6.6	6.5
BS04	20	71	6	3.5	7.5	56 <sup>+0.3</sup>	M6	16	2	1.5	28	13.5	19.8	11	6.6	6.5
BS06	25	99	8	4	9.5	80 <sup>+0.3</sup>	M8	18	2.5	1.5	33	13.5	24.8	15	9	8.5
BS10	30	152	8	4	6	140 <sup>+0.5</sup>	M10	20	3	1.5	38	15	29.8	18	11	10
BS20	35	186	10	5	13	160 <sup>+0.5</sup>	M10	20	3	1.5	43	16	34.8	18	11	10
BS30	40	212	12	5	6	200 <sup>+0.5</sup>	M12	22	3	2	48	18	39.8	20	13.5	12
BS40	60	227	18	7	13.5	200 <sup>+0.5</sup>	M20	38	3.5	2	68	24	59.8	33	22	18



The parts shown are necessary for assembly. ONLY \* specified parts are enclosed in the assembly kit. Suitable measures are to be used to secure Bolt Pos. 8 against loosening!

# BS-series worm-geared motors

## Additional Dimension Sheet

### Assembly tools for hollow shaft and keyway

Position 3 Sleeve											* Position 4 Stud bolt												
Material: Steel, tensile strength $\geq 470 \text{ N/mm}^2$											Material: Steel, tensile strength $\geq 1000 \text{ N/mm}^2$ Thread rolled												
Type	Dimensions (mm)										* Retaining ring DIN 472	Hexagon nut DIN 394-8	Disc DIN 125-St	* Filister head screw DIN 912-8.8	Starting torque (Nm)	Hexagon bolt DIN EN 24017-8.8	Key DIN 6885 Width/Height/Length						
	Position 3 Sleeve					Position 4 Stud bolt												Pos.5	Pos.6	Pos.7	Pos.8	Pos.9	Pos.10
	s	t	u	v	w	R	x	y	z	z1													
BS03	19.8	24	5	11	M8	-	120	90	18	M6	20x1.0	M6	6.4	M6x25	5	M8x110	A 8x7x63						
BS04	19.8	24	5	11	M8	-	120	90	18	M6	20x1.0	M6	6.4	M6x25		M8x110	A 8x7x56						
BS06	19.8	24	5	15.4	M12	0.8	150	120	20	M8	25x1.2	M8	8.4	M8x30		M12x140	A 8x7x80						
BS10	29.8	28	5	19.8	M14	0.8	210	175	23	M10	30x1.2	M10	10.5	M10x30	8	M14x190	A 8x7x140						
BS20	34.9	28	5	23	M14	-	250	215	23	M10	35x1.5	M10	10.5	M10x35		M14x230	A 10x8x160						
BS30	39.9	40	6	27.7	M20	0.8	280	240	28	M12	40x1.75	M12	13	M12x35	16	M20x270	A 12x8x200						
BS40	59.8	60	6	44	M30	-	320	260	45	M20	60x2.0	M20	21	M20x50	42	M30x310	A 18x11x200						

The parts shown are necessary for assembly. ONLY \* specified parts are enclosed in the assembly kit.  
Suitable measures are to be used to secure Bolt Pos. 8 against loosening!

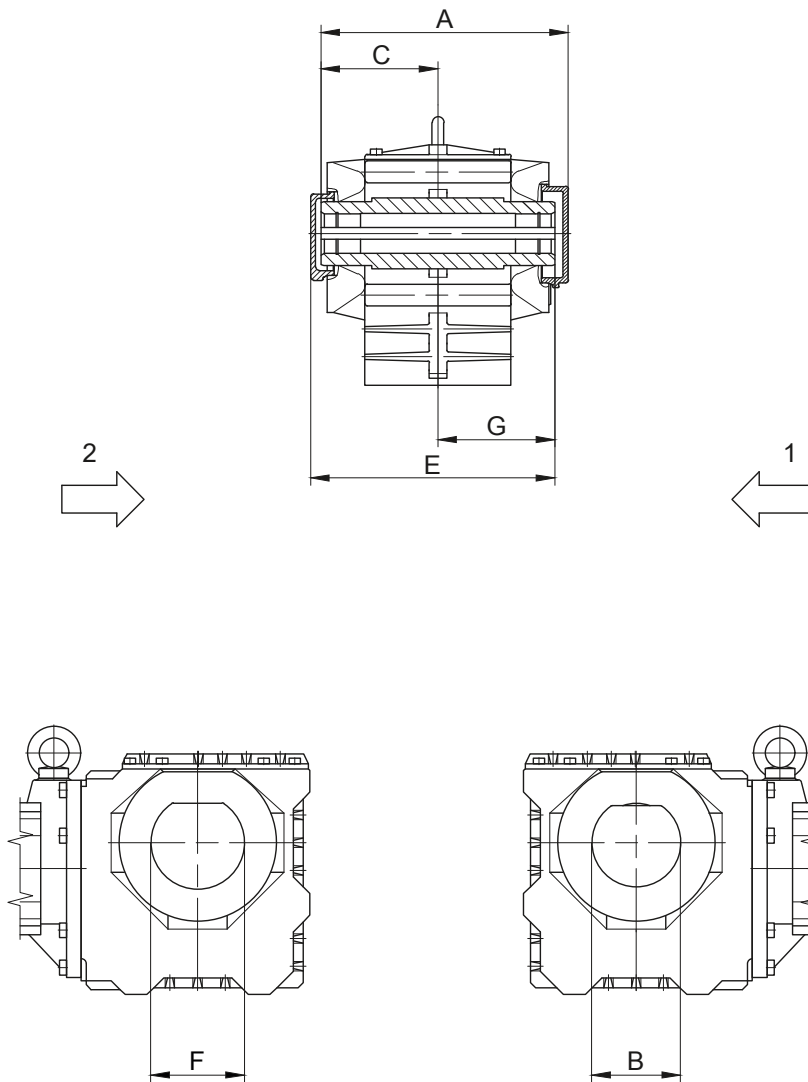
13

Optional	Type	Assembly tool „Holding“
	BS03	Id.Nr. 4104013
	BS04	Id.Nr. 4104013
	BS06	Id.Nr. 4103921
	BS10	Id.Nr. 4103939
	BS20	Id.Nr. 4103947
	BS30	Id.Nr. 4103955
	BS40	Id.Nr. 4103971

# BS-series worm-gear motors

## Additional Dimension Sheet

### Shaft Cap (VK)

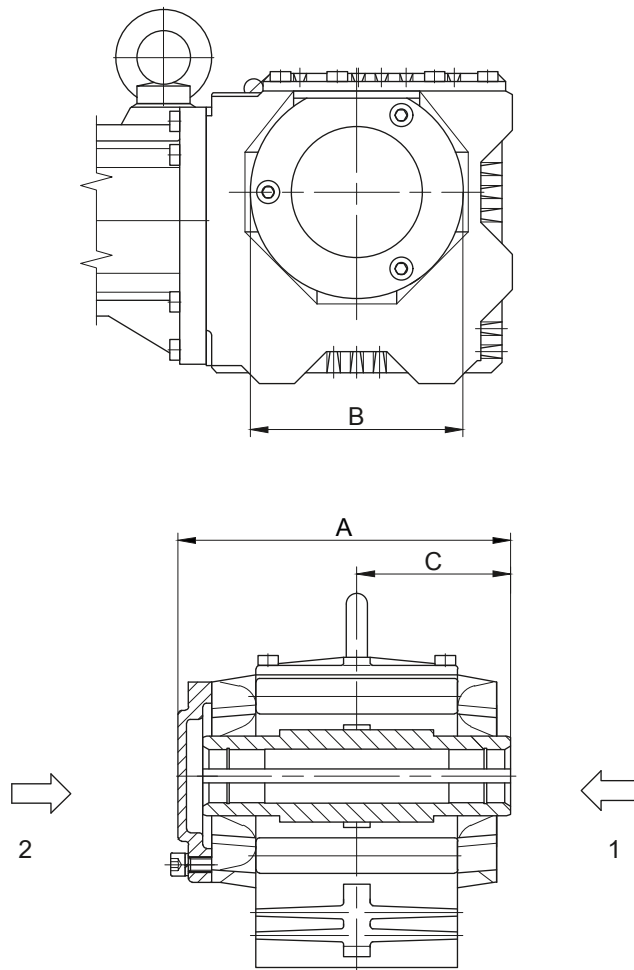


- 1 Gear side FRONT (V)
- 2 Gear side REAR (H)

Sealing cap REAR (H)			
Type	A	B	C
BS10	186	68	87
BS30	250.5	100	132
BS40	276	130	128
Dimensions in millimetres (mm)			

Sealing cap FRONT (V)			
Type	E	F	G
BS20	221	78	104.5
Dimensions in millimetres (mm)			

### Shaft Cover (VD)



- 1 Gear side FRONT (V)
- 2 Gear side REAR (H)

Type	A	B	C
BS04	99.5	68	46.5
BS06	128.5	81	60.5
BS10	185	Ø120	87
BS20	224.5	Ø160	104.5
BS30	251.5	Ø160	118.5
BS40	275	Ø210	128
Dimensions in millimetres (mm)			

# Energy Efficient Geared Motors

AC Line Operated

---