

3

Bauer		D-73734 Esslingen	
3-Mot.No	A/	46/2014	
Type	BF40-74W/DPE09XA4-TX(C2-SP)		
1.1 kW	cosφ	0,78	S1
60 Hz		400 V	2,45 A
n ₁₄₄₀	n ₂	21,6 (mm/s)	67,38
			485 Nm
M H2/V1	35	IP 65	IE3 - 85,0 %
		4,9 L CLP 220	
		t _{amb} -20...40°C	66,1 kg
		CE EN 60034	

Page

Type Designations

17-26

- Significance of type designation**
- BG-series helical-gear motor**
- BF-series shaft-mounted geared motor**
- BK-series bevel-gear motor**
- BS-series worm-gear motor**
- Description of the Designs**
- General Description**

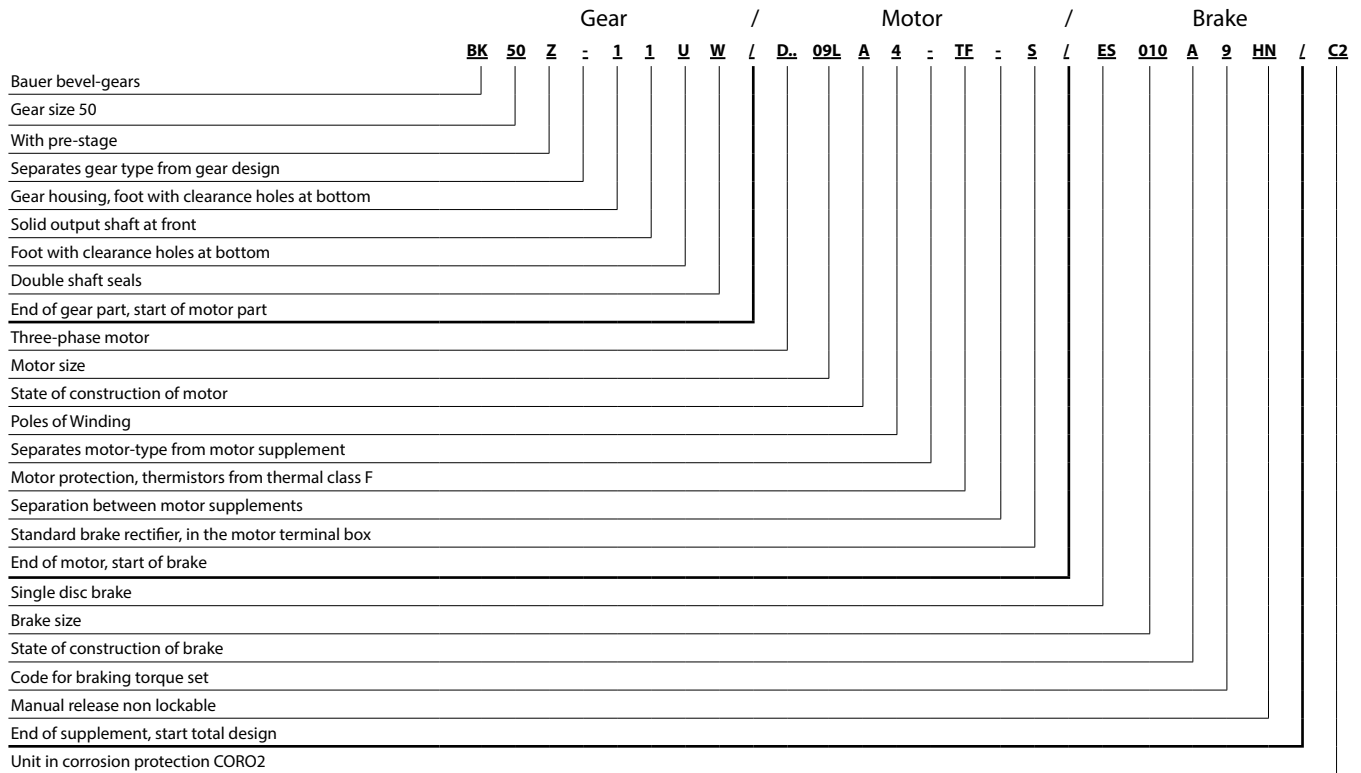
Significance of type designation

Example: Bauer bevel-gear motor with brake and standard add-ons

Significance of type designation

The type designation of a BAUER geared motor is a code designating all the features in the drive configuration.

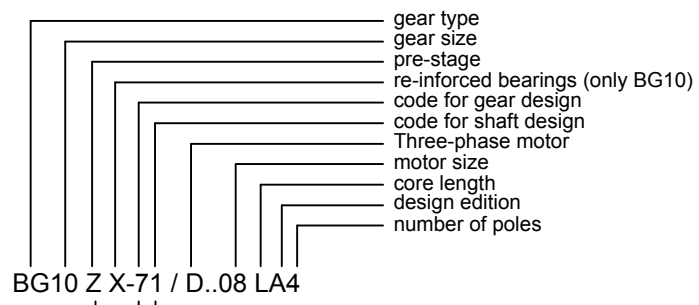
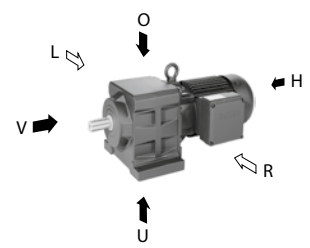
The build-up of the type designation is explained with the help of the following example of a bevel geared motor with brake and series options.



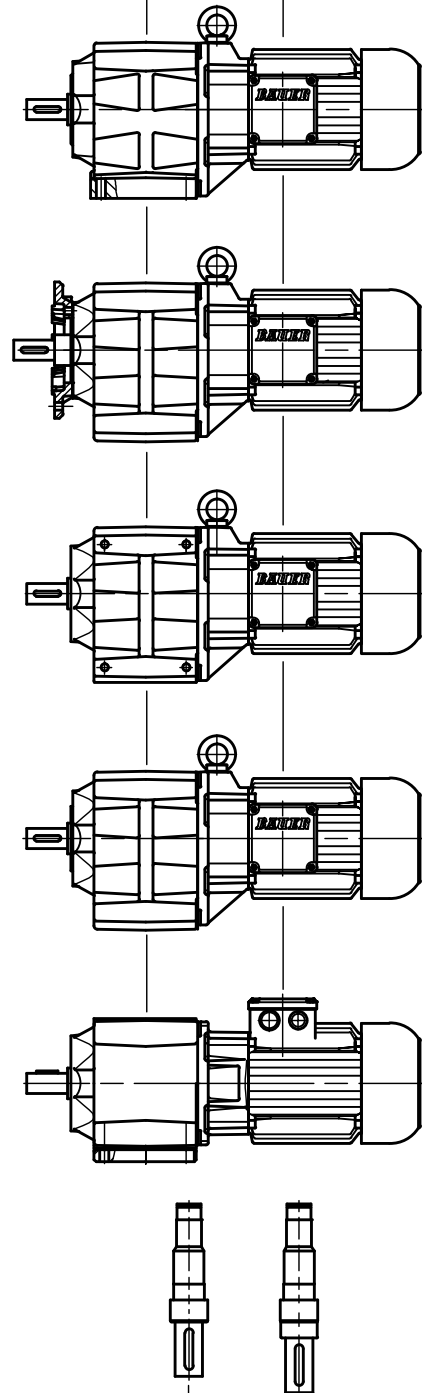
Type Designations

BG-series helical-geared motor

3



- gear type
 - gear size
 - pre-stage
 - re-inforced bearings (only BG10)
 - code for gear design
 - code for shaft design
 - Three-phase motor
 - motor size
 - core length
 - design edition
 - number of poles
- BG10 Z X-71 / D..08 LA4
- Z- gear with pre-stage
 - G- tandem gear
 - 1 foot with through holes
 - 2 small A-flange with through holes
 - 3 standard A-flange with through holes
 - 4 large A-flange with through holes
 - 6 . L foot with threaded holes, left
 - 6 . R foot with threaded holes, right
 - 6 . LR foot with threaded holes, left and right
 - 7 C-flange with threaded holes
 - 8 completely machined
 - 9 . L footplate, left
 - 9 . R footplate, right
 - 9 . LR footplate, left and right



- . 1 solid shaft on gear side V
- . 7 solid shaft on gear side V for flange as from BG10
- . . W double shaft seals

- gear type
- gear size
- pre-stage
- re-inforced bearing (\geq BF60)
- code for gear design
- code for shaft design
- Three-phase motor
- motor size
- core length
- design edition
- number of poles

BF70 Z X-74 / D..11 LA4

- Z... gear with pre-stage
- X... gear with reinforced bearings
- G... tandem gear

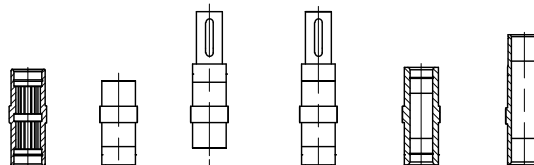
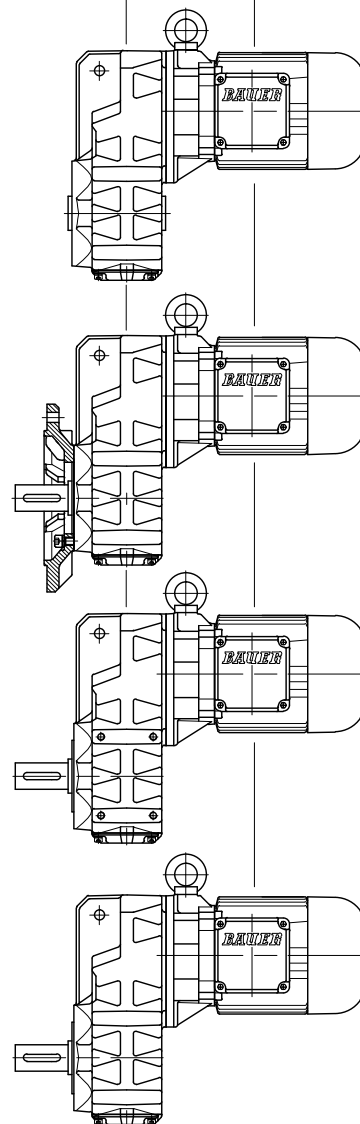
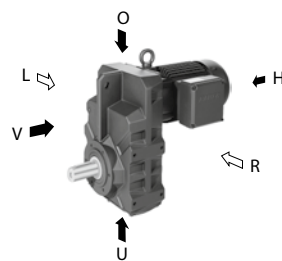
0 . cast-in torque arm

- 2 . small A-flange with through holes
- 3 . standard A-flange with through holes
- 4 . large A-flange with through holes

- 1 . LR — foot with through holes, right and left
- 6 . L — foot with threaded holes, left
- 6 . R — foot with threaded holes, right
- 6 . LR — foot with threaded holes, right and left

- 7 . C-flange with threaded holes
- 8 . completely machined

- . 0 splined shaft acc. DIN 5480
- . 1 solid shaft on gear side V
- . 2 solid shaft on gear side H
- . 3 solid shaft on gear side V and H
- . 4 hollow shaft with keyway
- . 5 hollow shaft with shrink disk SSV on side H
- . . W double shaft seals
- . . A cover for shrink disk SSV



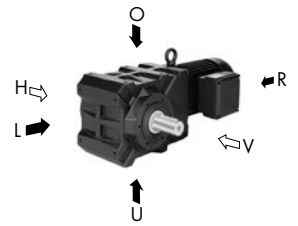
Type Designations

BK-series bevel-gear motor

3

gear type
 gear size
 pre-stage
 re-inforced bearing (\geq BK20)
 code for gear design
 code for shaft design
 Three-phase motor
 motor size
 core length
 design edition
 number of poles

BK20 Z X-64U / D06 LA4



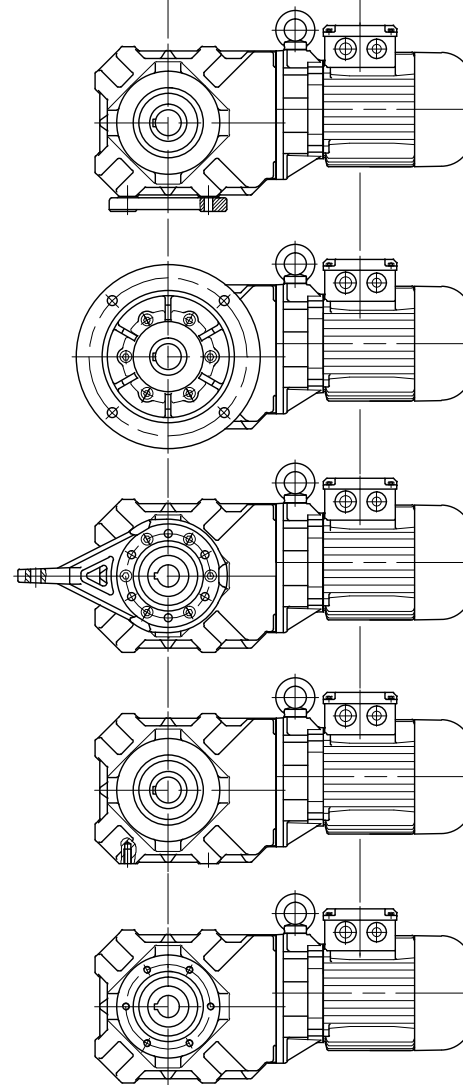
- 1 . U — foot with through holes, bottom
- 1 . L — foot with through holes, left
- 1 . O — foot with through holes, top

- 2 . V — small A-flange with through holes, front
- 3 . V — standard A-flange with through holes, front
- 4 . V — large A-flange with through holes, front
- . . H — A-flange, rear
- . . VH — A-flange, front and rear

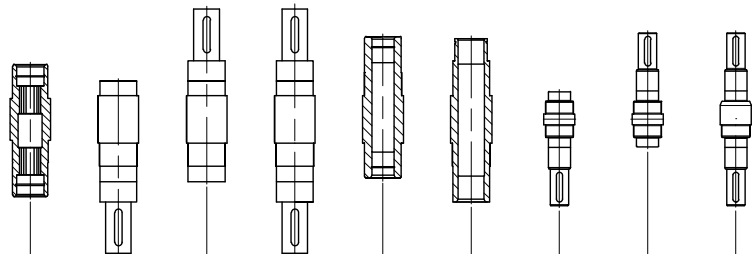
- 5 . V — torque arm, front
- 5 . VL — torque arm, front to left
- 5 . VO — torque arm, front to top
- 5 . VU — torque arm, front to bottom
- 5 . HL — torque arm, rear to left
- 5 . HO — torque arm, rear to top
- 5 . HU — torque arm, rear to bottom

- 6 . U — foot with threaded holes, bottom
- 6 . L — foot with threaded holes, left
- 6 . O — foot with threaded holes, top

- 7 . V — C-flange with threaded holes, front
- 7 . H — C-flange with threaded holes, rear
- 7 . VH — C-flange with threaded holes, front and rear
- 8 . — completely machined

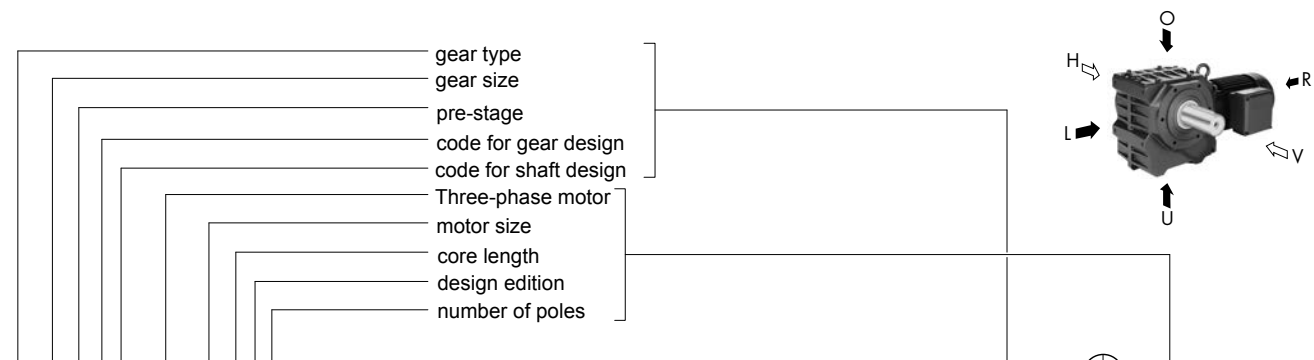


- . 0 Splined shaft acc. DIN 5480
- . 1 solid shaft on gear side V
- . 2 solid shaft on gear side H
- . 3 solid shaft on gear side V and H
- . 4 hollow shaft with keyway
- . 5 hollow shaft with shrink disk SSV on gear side H
- . 7 solid shaft at gear side V for flange (only BK06)
- . 8 solid shaft at gear side H for flange (only BK06)
- . 9 solid shaft at gear side V and H for flange (only BK06)
- . . W double shaft seals
- . . A cover for shrink disk SSV



Type Designations

BS-series worm-geared motor



BS40 Z-64U/ D..08 LA4

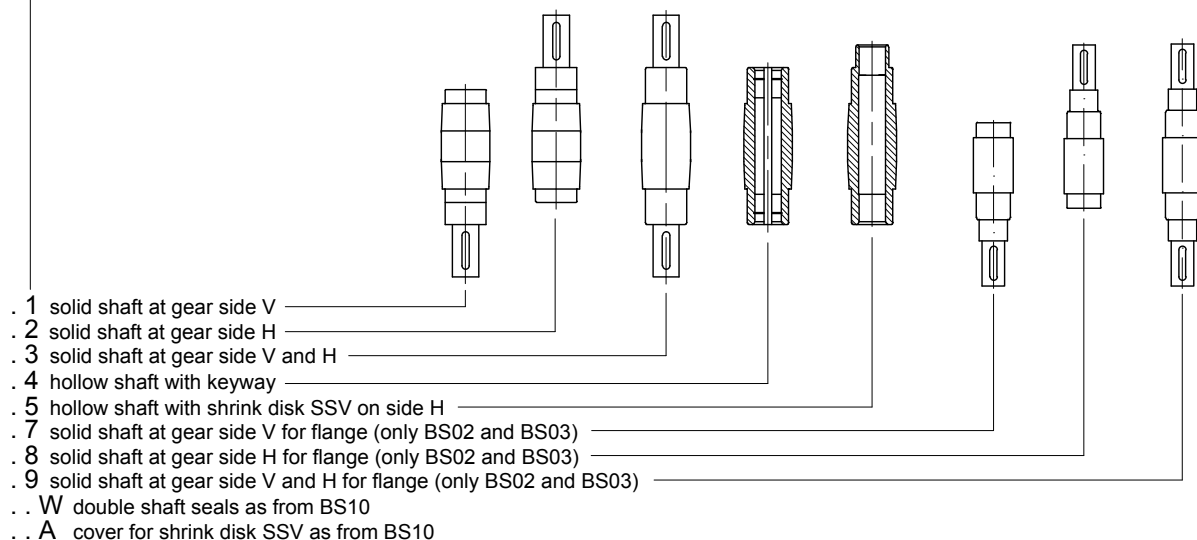
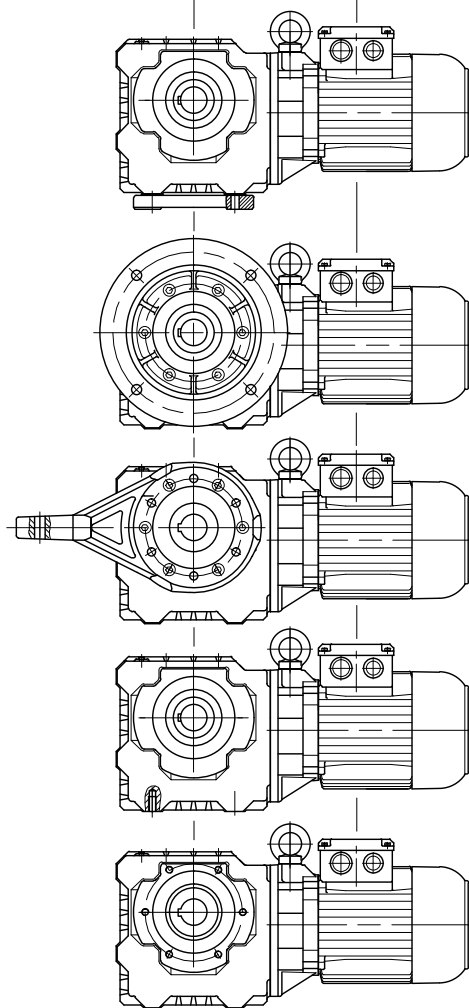
- 1 . U ———— foot with through holes, bottom
- 1 . L ———— foot with through holes, left
- 1 . O ———— foot with through holes, top

- 2 . V ———— small A-Flange with through holes, front
- 3 . V ———— standard A-Flange with through holes, front
- 4 . V ———— large A-Flange with through holes, front
- .. H ———— A-flange, rear (standard flange)
- .. VH ———— A-flange, front and rear (standard flange)

- 5 . V ———— torque arm, front
- 5 . VL ———— torque arm, front to left
- 5 . VO ———— torque arm, front to top
- 5 . VU ———— torque arm, front to bottom
- 5 . HL ———— torque arm, rear to left
- 5 . HO ———— torque arm, rear to top
- 5 . HU ———— torque arm, rear to bottom

- 6 . U ———— foot with threaded holes, bottom
- 6 . L ———— foot with threaded holes, left
- 6 . O ———— foot with threaded holes, top

- 7 . V ———— C-flange with threaded holes, front
- 7 . H ———— C-flange with threaded holes, rear
- 7 . VH ———— C-flange with threaded holes, front and rear
- 8 . ———— completely machined



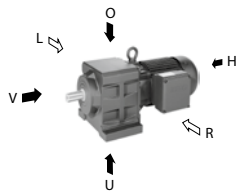
- . 1 solid shaft at gear side V
- . 2 solid shaft at gear side H
- . 3 solid shaft at gear side V and H
- . 4 hollow shaft with keyway
- . 5 hollow shaft with shrink disk SSV on side H
- . 7 solid shaft at gear side V for flange (only BS02 and BS03)
- . 8 solid shaft at gear side H for flange (only BS02 and BS03)
- . 9 solid shaft at gear side V and H for flange (only BS02 and BS03)
- .. W double shaft seals as from BS10
- .. A cover for shrink disk SSV as from BS10

Type Designations

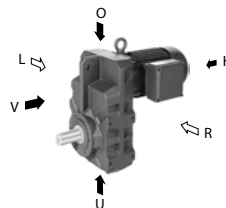
Versions and options

BG and BF series

BG series: type B3



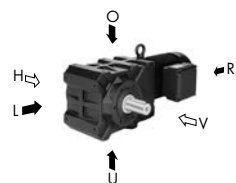
BF series: type H4



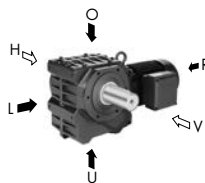
- V = Front
The side of the gear unit facing away from the motor or the source of motive power
- H = Rear
The side of the gear unit facing toward the motor or the source of motive power
- L = Left
The left side of the gear unit as viewed from the output shaft side of type B3 for the BG series or type H4 for the BF series
- R = Right
The right side of the gear unit as viewed from the output shaft side of type B3 for the BG series or type H4 for the BF series

BK and BS series

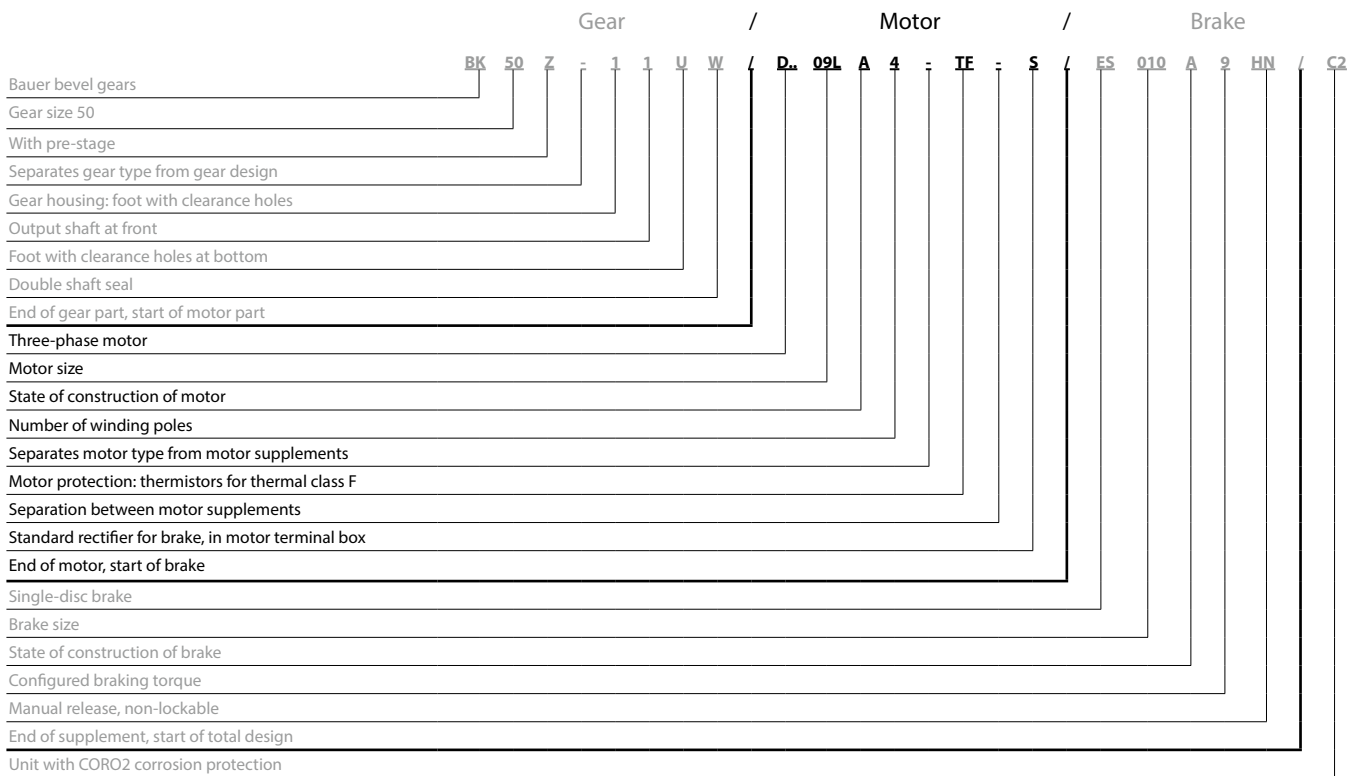
BK series: type H1



BS series: type H1



- V = Front
The side of the gear unit facing toward the viewer looking toward the type H1 unit
- H = Rear
The side of the gear unit facing away from the viewer looking toward the type H1 unit
- L = Left
The left side of the gear unit as viewed from the output shaft side of type H1, or the torque brace oriented to the left
- O = Top
The top side of the gear unit as viewed from the output shaft side of type H1, or the torque brace oriented upwards
- U = Bottom
The bottom side of the gear unit as viewed from the output shaft side of type H1, or the torque brace oriented downwards



Three-phase motor

- D = Three-phase motor
- E = Single-phase motor (Steinmetz circuit)
- S = PM-Synchronous motor
- . A = Aseptic motor (germ-free drive)
- . SE = Three-phase motor with enhanced efficiency compliant with IE1
- . HE = Three-phase motor with enhanced efficiency compliant with IE2
- . PE = Three-phase motor with enhanced efficiency compliant with IE3
- . N = Motor without gear unit; foot-mount version
- . NF = Motor without gear unit; flange-mount version
- . R = Roller table motor
- . XE = Explosion-proof motor with increased safety
- . XD = Explosion-proof motors
- . W = Torque motor
- . L = Special rotor for traction and slewing gear motors
- . C = With main and auxiliary windings; only with single-phase motors (EC...)
- . V = Multiple voltage ranges (wide voltage range)
- . U = Unventilated (no forced ventilation)

Motor protection

- TB = Thermistor 140°
- TF = Thermistor 160°
- TH = Thermistor 180°
- TEB = Thermistor warning/shutdown 120°/140°
- TBF = Thermistor warning/shutdown 140°/160°
- TFH = Thermistor warning/shutdown 160°/180°
- TOB = Thermostatic switch, NC 140°
- TOF = Thermostatic switch, NC 160°
- TOH = Thermostatic switch, NC 180°
- TSB = Thermostatic switch, NO 125°
- TSF = Thermostatic switch, NO 160°
- TSH = Thermostatic switch, NO 180°
- TX = Other

Brake rectifier in motor terminal box

- S = Standard rectifier SG
- E = Special rectifier ESG
- M = Special rectifier MSG

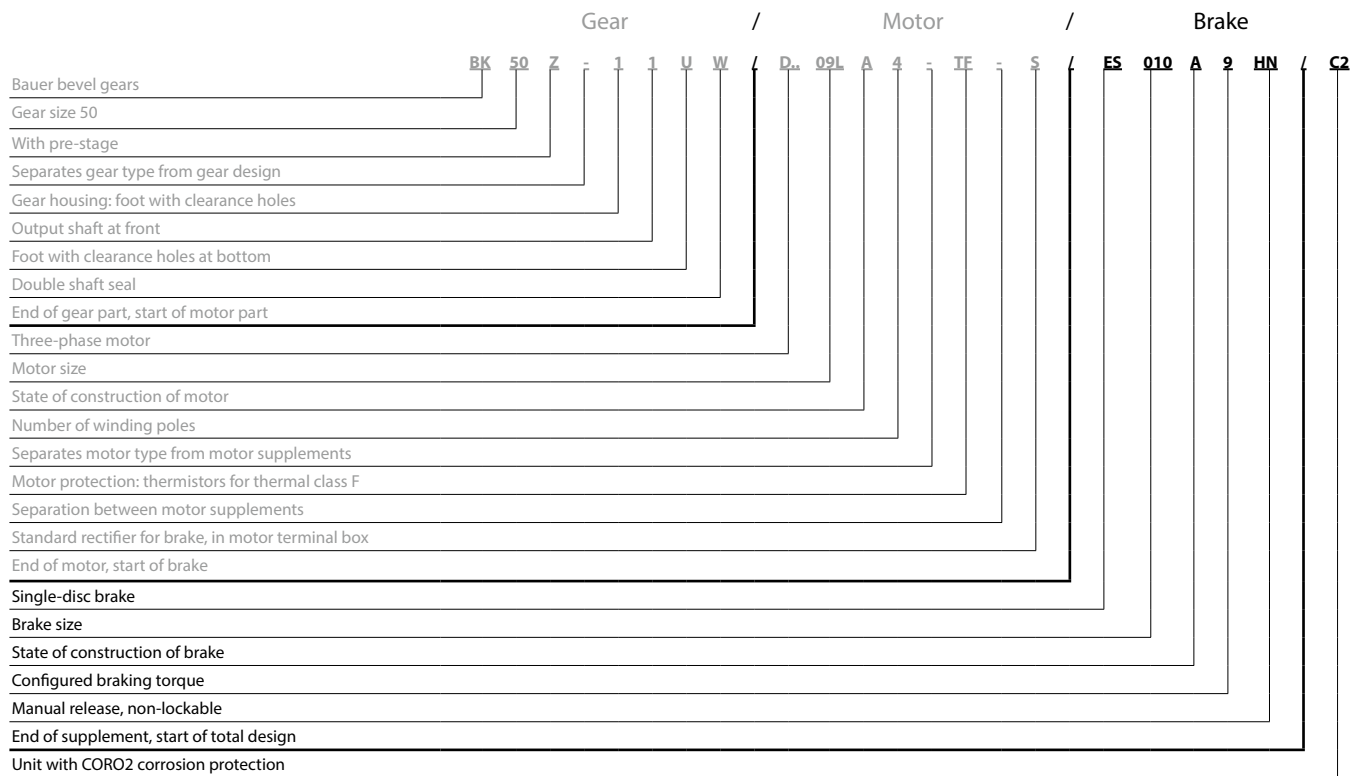
Plug connector Heavy-duty fan Protective cover CleanDrive™

- ST = Harting (other)
- SL
- D
- CD = Aseptic drive with cable

Type Designations

Supplement types

3



Brake

E	= Single-disc brake
ES	= Single-disc holding brake
EH	= Single-disc holding brake in heavy duty
ZS	= Two-disc holding brake
ESX	= Single-disc service brake
EHX	= Single-disc service brake in heavy duty version
ZSX	= Two-disc service brake
... 010	= Brake size
... .. A	= Construction state
... .. . 9	= Code for configured braking torque
... HN	= Manual release (not lockable)
... HA	= Manual release (lockable)

Reverse rotation block

RR	= Blocking direction clockwise
RL	= Blocking direction anticlockwise

Digital and analogue encoder

G

Second shaft end

ZW	= With key
ZV	= With square shaft

Forced ventilation

FV

Overall design

AV	= USA/Canada version with shaft dimensions in inches
AM	= USA/Canada version with metric shaft dimensions
UL	= US version
CS	= Canadian version
C1	= Coro1 corrosion protection
C2	= Coro2 corrosion protection
C3	= Coro3 corrosion protection
SP	= Non-catalogue version