

Product Extension HiflexDRIVE

NEW

The HiflexDrive range will be extended in the lower torque range by the **BK08**.



Gearbox BK08

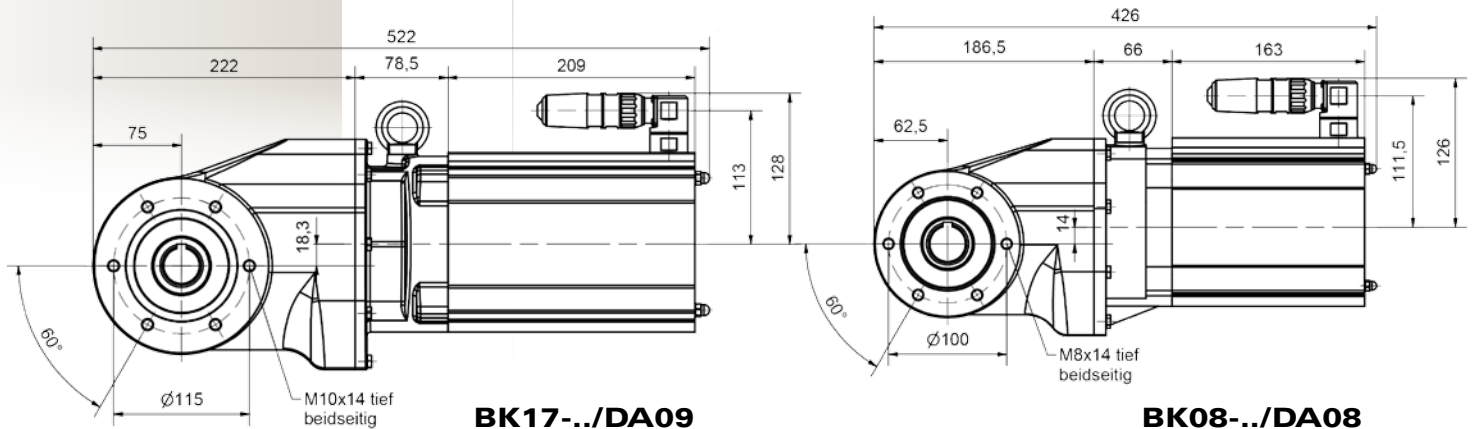
- Torque 200 Nm
- Ratios 4,44 - 102,5

Gearbox BK17

- Torque 330 Nm
- Ratios 4,54 - 108,6

Motors

- Power rating 0,18 kW ... 3,0 kW
- Efficiency Classes w/o, IE1 through IE4
- Mains supply 110 V ... 690 V, 50/60 Hz
- Enclosure IP 65 (Standard), IP 67 / IP 69K (Optional)



HiflexDRIVE

The Concept

Gear Solutions

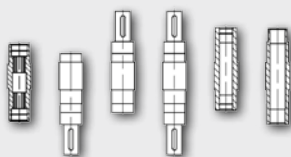
Our Performance

Variance in Materials

- Housing
Aluminium and Stainless Steel
- Shafts
Steel and Stainless Steel

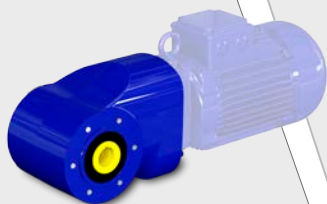
Diversity in Mounting

- Standard design with C-Face
- Optional A-Flange available
- Flexible shaft diameters
- All prevalent shaft types



Well thought-through gear design

- No interference contour
- Form and radius adapted to the logistic industry
- Easy to clean
- Special aseptic coating
- Modular set-up



Flexibility

Motor Solutions

Our Performance

Motor technologies

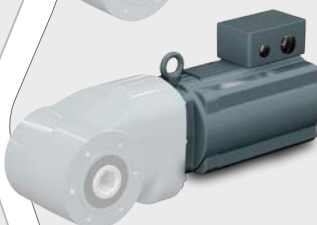
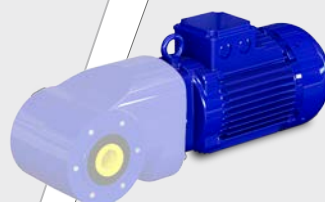
- Asynchronous technology
- Efficiency Class IE1 to IE3
- Permanentmagnettechnology (PSM)
- Efficiency class IE4
- Optimised for partial load acc. to EN 50598

Diversity in dimensioning

- Finely graded brake sizes
- Speed feedback
- Duty cycles S1 to S9
- Optimised for inverter duty
- Connection technology
- Cage Clamp
- Terminal Board
- Stainless Steel Connector

Well thought-through motor design

- Variance in housing design
- Easy to clean
- Special aseptic coating
- Modular set-up
- Flexible connection technology
- All enclosures incl. IP 69K



Adaptability

Bauer assumes no liability or responsibility for misprints and errors in catalogues, brochures and other printed documentation. Bauer reserves the right to make changes to products without prior notice, including to products that have already been ordered, unless contractual technical specifications are affected by such changes. All trademarks in these publications are the sole and exclusive property of the relevant companies. Bauer and the Bauer logo are trademarks of Bauer Gear Motor GmbH. All rights reserved. Images: Fotolia, Altra und Bauer Archive