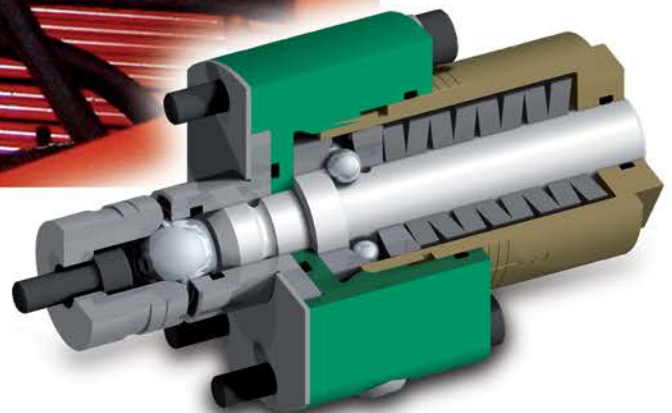


Bibbigard® TLM Modules



BIBBY TURBOFLEX TORQUE LIMITING MODULES

have been specifically designed to provide overload protection for applications where very high torques are transmitted, and to extend the range of manual reset Bibbigard Torque Limiters.

The modular system provides the capability for virtually unlimited torque capacity and lends itself to many transmission applications – chain, belt and gear drives, or shaft-to-shaft gear or flexible coupling drives.

The maximum release torque depends on the number and size of Torque Limiting Modules that can be incorporated, and the size of the unit that can be accommodated within the confines of the installation. Internally and externally adjusted modules provide repeatability better than 5%, however externally adjusted modules are preferred when the application is required to operate with minimal variation between static and dynamic disengagement.

Construction

The Bibbigard Torque Limiting Module is constructed from the finest quality materials. Many of the vital components are made from high quality tool steels, through hardened to Rockwell C62, and precision ground to close tolerances.

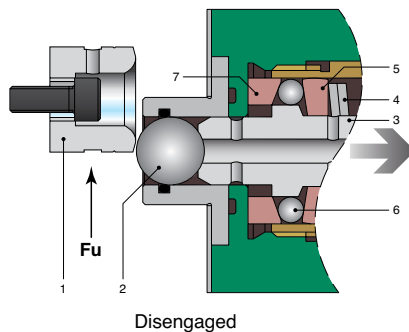
Normal Operation

The flange connection is driven by a large steel ball (2), located in the detent pocket (1), which is retained by a plunger (3). This in turn

is retained axially by means of a system of angled races (5,7) biased by pressure from the Belleville springs (4), acting on a circle of balls (6).

Disengagement

On overload, relative angular movement between the flanges imparts a tangential force (F_u) on the large steel ball, forcing it clear of the detent pocket back against the plunger. This in turn causes the plunger to be forced through the circle of balls overcoming the spring loading on the angle races. In this position, the balls are resting on the large diameter of the plunger, and once this condition is reached the flanges are completely free to rotate independently.



A suitable switch can be incorporated in the assembly to switch off the drive motor or operate a warning device when the Torque Limiting assembly disengages. After first ensuring that the drive is

isolated, resetting is a simple matter of first realigning the flanges and then tapping each module plunger back with a soft mallet to allow the circle of balls to return to their original position and the large steel ball to return to its location in the detent pocket.

Detent Pockets

Internally and externally adjusted modules can be through-hole or blind-hole detent fixing (see diagrams on opposite page). The type of detent fixing is dependent upon the design constraints.

The mechanical clearance in the Module assembly should be eliminated by pre-loading the detent pocket (1) against the driving ball (2). This is achieved for the respective type of detent pocket under Adjustment (on the opposite page).

Selection

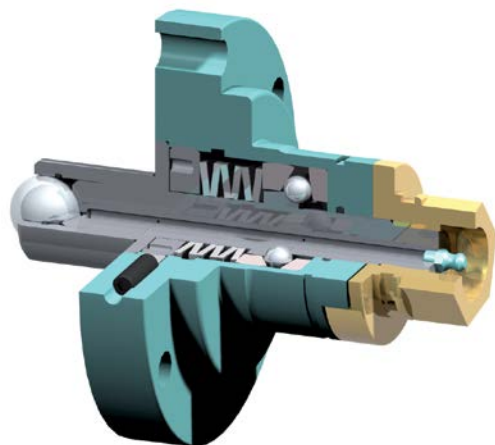
To apply the modules in the form of a torque limiter it is necessary to determine the quantity of modules needed for the required torque capacity at a specific radius from the axis of rotation.

$$\text{No. of modules} = \frac{\text{Torque (Nm)} \times 1000}{F_u \text{ (N)} \times \text{radius (mm)} \times K}$$

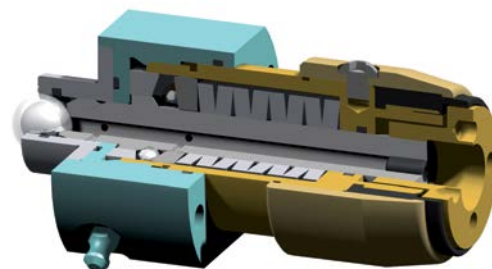
$K = 0.65$ for General Applications

$K = 0.5$ for Steelwork Applications

Special Designs



Internally Adjusted Cam Disconnect Module



Externally Adjusted Manual Disconnect Tamper Proof Module

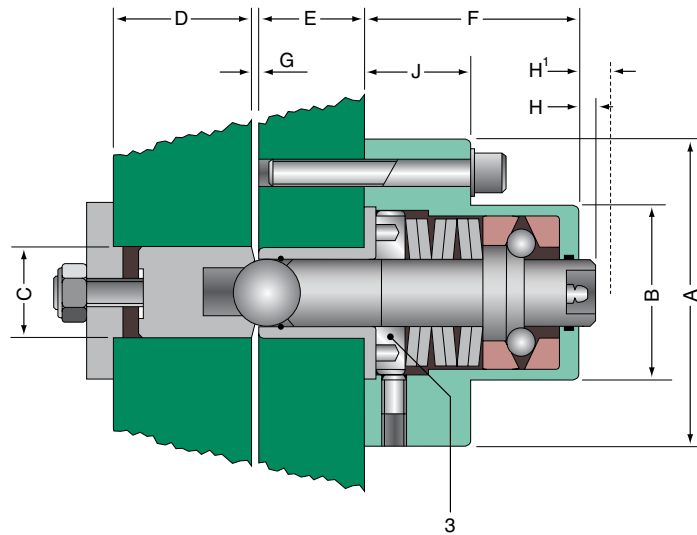
BIBBIGARD® INTERNALLY ADJUSTED MODULES

Adjustment

Adjustment of the tangential force F_u , can be made by removing the unit from the mounting flange and adjusting the screw (3), so altering the spring force.

This procedure discourages tampering by unauthorized personnel.

Ensure that on assembly any clearance between the driving ball and the detent pocket is eliminated by tightening the adjusting screw located in the plate at the base of the detent pocket.



Model Number	Tangential Force F_u		Dimensions (mm)									
	lbf	N	A	B	C	D	E	F	G	H	H'	J
SE5BA	2,250	10,000	56	36	19.5	20	14	44	1.8	2.5	6	19
SE10BA	4,000	17,800	66	40	25	25	16	54.5	1.5	20	24	30
SE20BA	11,000	48,900	105	66	35	45	45	72	2	5	13	35
SE30BA	38,000	169,000	170	120	70	45	45	130	3	9	23	40

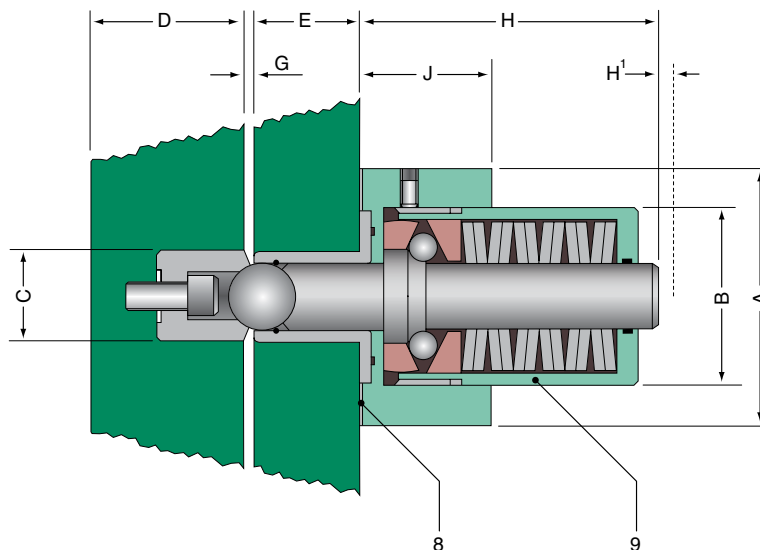
Note internal specifications may vary between sizes

BIBBIGARD® EXTERNALLY ADJUSTED MODULES

Adjustment

Adjustment of the tangential force F_u , can be made by adjusting the spring housing (9), so altering the spring force.

Ensure that on assembly any clearance between the driving ball and detent pocket is eliminated by adjusting the quantity of shims (8) under the clamp face of the module.



Model Number	Tangential Force F_u		Dimensions (mm)									
	lbf	N	A	B	C	D	E	F	G	H	H'	J
SE5EA	2,250	10,000	56	50	19.5	15	14	—	1.5	67	3.5	20
SE10EA	4,000	17,000	66	50	24.5	20	16	—	2.5	77	4	37
SE20EA	5,900	26,000	105	69	35	35	45	—	2.5	107	8	15
SE25EA	10,000	45,000	105	74	35	35	45	—	2.5	115	8	10

Note internal specifications may vary between sizes

Belted Drives and Sheaves

TB Wood's

Belted Drives

Chambersburg, PA - USA
1-888-829-6637 – Press #5

*For application assistance:
 1-888-829-6637 – Press #7*

Couplings

Ameridrives Couplings

*Mill Spindles, Ameriflex,
 Ameridisc*

Erie, PA - USA
1-814-480-5000

Gear Couplings

San Marcos, TX - USA
1-800-458-0887

Ameridrives Power Transmission

*Universal Joints, Drive Shafts,
 Mill Gear Couplings*

Green Bay, WI - USA
1-920-593-2444

Bibby Turboflex

*Disc, Gear, Grid Couplings,
 Overload Clutches*

Dewsbury, England
+44 (0) 1924 460801

Boksburg, South Africa
+27(0) 11 918 4270

Guardian Couplings

*Engineered Flywheel Couplings,
 Engine Housings and Pump Mounts,
 Flexible Shaft Couplings*

Michigan City, IN - USA
1-219-874-5248

Huco Dynatork

*Precision Couplings and
 Air Motors*

Hertford, England
+44 (0) 1992 501900

Chambersburg, PA - USA
1-888-829-6637

Couplings Cont.

Lamiflex Couplings

*Flexible Couplings, Bearing
 Isolators, and Coupling Guards*

São Paulo, SP - Brasil
+55 (11) 5679-6533

TB Wood's

Elastomeric Couplings

Chambersburg, PA - USA
1-888-829-6637 – Press #5

*For application assistance:
 1-888-829-6637 – Press #7*

General Purpose Disc Couplings

San Marcos, TX - USA
1-888-449-9439

**Electromagnetic
 Clutches and Brakes**

Inertia Dynamics

*Spring Set Brakes; Power On and
 Wrap Spring Clutch/Brakes*

New Hartford, CT - USA
1-800-800-6445

Matrix International

*Electromagnetic Clutches
 and Brakes, Pressure Operated
 Clutches and Brakes*

Brechin, Scotland
+44 (0) 1356 602000

New Hartford, CT - USA
1-800-825-6544

Warner Electric

*Electromagnetic Clutches
 and Brakes*

New Hartford, CT - USA
1-800-825-6544

*For application assistance:
 1-800-825-9050*

Saint Barthélemy d'Anjou, France
+33 (0)2 41 21 24 24

*Precision Electric Coils and
 Electromagnetic Clutches and
 Brakes*

Columbia City, IN - USA
1-260-244-6183

**Engineered
 Bearing Assemblies**

Kilian Manufacturing

*Engineered Bearing
 Assemblies*

Syracuse, NY - USA
1-315-432-0700

Gearing

Bauer Gear Motor

Geared Motors

Esslingen, Germany
+49 (711) 3518-0

Somerset, NJ - USA
1-732-469-8770

Boston Gear

*Enclosed and Open Gearing,
 Electrical and Mechanical
 P.T. Components*

Charlotte, NC - USA
1-800-825-6544

*For application assistance:
 1-800-816-5608*

**Nuttall Gear and
 Delroyd Worm Gear**

*Worm Gear and
 Helical Speed Reducers*

Niagara Falls, NY - USA
1-716-298-4100

**Heavy Duty
 Clutches and Brakes**

Industrial Clutch

*Pneumatic and Oil Immersed
 Clutches and Brakes*

Waukesha, WI - USA
1-262-547-3357

Svendborg Brakes

*Industrial Brakes and
 Brake Systems*

Vejstrup, Denmark
+45 63 255 255

Twiflex Limited

Caliper Brakes and Thrusters

Twickenham, England
+44 (0) 20 8894 1161

**Heavy Duty
 Clutches and Brakes Cont.**

Wichita Clutch

*Pneumatic Clutches
 and Brakes*

Wichita Falls, TX - USA
1-800-964-3262

Bedford, England
+44 (0) 1234 350311

Linear Products

Warner Linear

Linear Actuators

Belvidere, IL - USA
1-800-825-6544

*For application assistance:
 1-800-825-9050*

Saint Barthélemy d'Anjou,
 France
+33 (0)2 41 21 24 24

Overrunning Clutches

Formsprag Clutch

*Overrunning Clutches
 and Holdbacks*

Warren, MI - USA
1-800-348-0881 – Press #1

*For application assistance:
 1-800-348-0881 – Press #2*

Marland Clutch

*Roller Ramp and Sprag Type
 Overrunning Clutches
 and Backstops*

South Beloit, IL - USA
1-800-216-3515

Stieber Clutch

*Overrunning Clutches
 and Holdbacks*

Heidelberg, Germany
+49 (0) 6221-30470

*For information concerning our
 sales offices in Asia Pacific
 check our website
 www.altramotion.com.cn*



www.bibbyturboflex.com

Cannon Way, Dewsbury,
 West Yorkshire, WF13 1EH – United Kingdom
 + 44(0) 1924 460801
 Fax: + 44(0) 1924 457668