



Bibbigard[®]
Torque
Limiter &
Flexible
Couplings
Series





BIBBIGARD® TORQUE LIMITER & FLEXIBLE COUPLINGS SERIES



Bibbigard® Torque Limiters eliminate the problems associated with slow reaction which give a wide release torque variation, or slip clutches which may rapidly overheat.

Bibbigard® Products can save you money—the initial cost is frequently more than covered by the saving in down-time even on the first overload.



Bibbigard® Torque Limiters eliminate the problems associated with slow reaction electrical overload devices, shear pins which give a wide release torque variation, or slip clutches which may rapidly overheat.

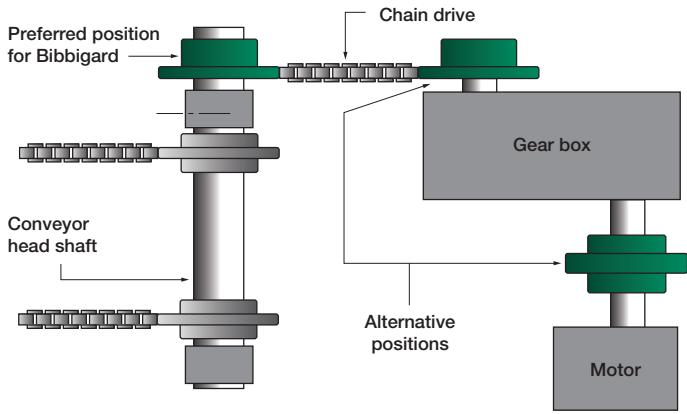
- Protect plant and transmission against overload.
- Full bi-directional operation in any plane.
- Totally-enclosed construction.
- Virtually no maintenance.
- Provide years of trouble-free service.
- Competitive first cost.

- Protect plant and transmission against overload
- Full bi-directional operation in any plane
- Totally-enclosed construction
- Virtually no maintenance
- Provide years of trouble-free service
- Competitive first cost

Many of our torque limiters have been purpose designed and manufactured to meet customers' specific operating requirements.

ADVANTAGES OF THE FLEXIBLE COUPLING

- Assembly and disassembly elastic insert without need to displace the motors or machine
- Element can be replaced in minutes
- No Lubrication to flexible coupling required
- Elastic element provides electrical insulation
- No metal to metal contact when elastic element fails



Selection

This specifies:

To enable us to deal efficiently with your inquiry, we ask you to supply the following facts:

- Type of application and environment conditions
- R.P.M. of drive
- Release torque required
- Length and diameters of shafts
- Space available between shaft ends
- Overall space available – length and diameter limitations
- Types and sizes of accessories, i.e. sprocket, pullet, etc.
- Any special requirements such as shifter flange, neoprene seals, etc.

TORQUE LIMITER SELECTION

For release torques up to 5500Nm

Choose a position as near as possible to the expected overload (see diagram).

Calculate the torque setting required at that position. This can be determined from the motor power, r.p.m. and gearing ratio – the driven load – or from the maximum permissible torque for drive components such as crushing stress on keys. It is the weakest component that requires protection. Make allowance for motor starting torques (generally twice normal running torque).

Having calculated an approximate setting for the release torque, final adjustments can be made on site.

Check from tables that the unit can be accommodated.

MISALIGNMENT ADMISSIBLE															
<p>AXIAL</p>		<p>RADIAL</p>		<p>ANGULAR Z=X1-X2</p>											
ASSEMBLY DIMENSIONS (E) AND TOLERANCES IN mm															
Type	A0	A1	A2	A3	A4	A45	A5	A55	A6	A7	A8	A9	A10	A11	A12
E Assembly	1,5	1,5	2,5	2,5	3,5	3,5	3,5	3,5	3,5	4	5	5	6	6	5
Axial X	+0,3	+0,5	+0,5	+0,7	+0,8	+1,0	+1,0	+1,0	+1,0	+1,0	+1,5	+1,5	+2	+2	+3
Radial Y	0,1	0,1	0,1	0,15	0,20	0,20	0,20	0,20	0,20	0,30	0,30	0,30	0,40	0,40	0,60
Angular Z	0,10	0,20	0,20	0,30	0,40	0,40	0,50	0,50	0,60	0,90	1,10	1,30	1,70	1,70	2,00

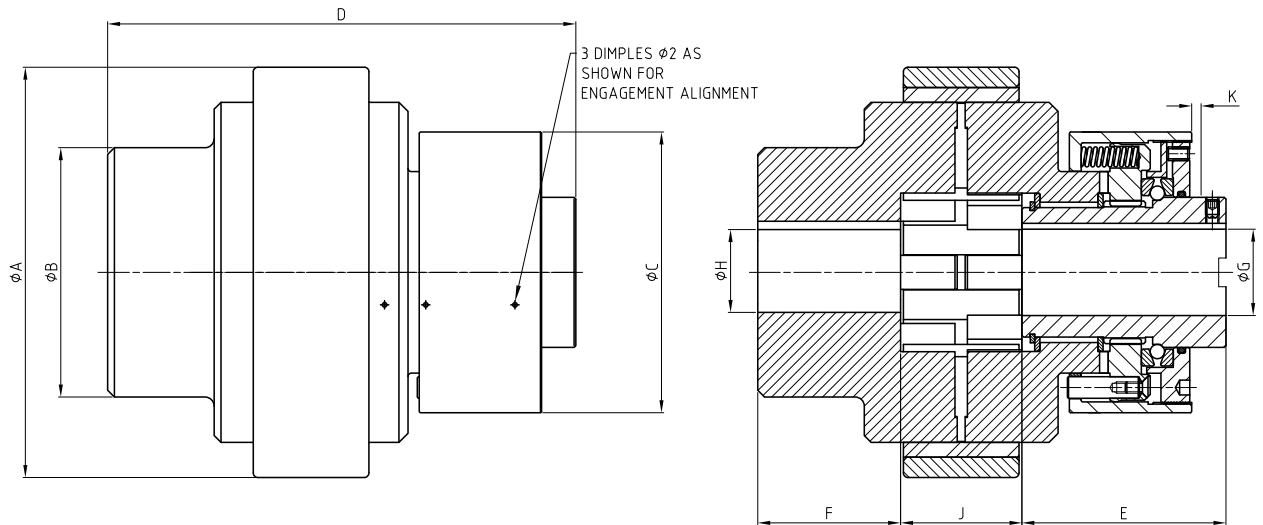


BIBBIGARD® TORQUE LIMITER WITH FLEXIBLE COUPLING

Type A Flexible Coupling



	BIBBIGARD TORQUE LIMITER Type AB				Type A Flex Half	
	Min. TORQUE (Nm)	Max. TORQUE (Nm)	Rpm	Max. Bore Ø (mm)		Max. Bore Ø (mm)
100AB	14	140	1500	25.4	A2	44
500AB type 1	70	460	1500	40	A4	65
500AB type 2	460	700	1500	40	A45	75
1000AB type 1	475	1150	1500	57	A5	85
1000AB type 2	1150	1356	1500	57	A55	95
2000AB type 1	610	2300	1500	77	A6	110
2000AB type 2	2300	2712	1500	77	A7	130
4000AB type 1	815	4600	1000	102	A7	130
4000AB type 2	4600	5500	1000	102	A8	150



ALL DIMENSIONS IN mm										
	ØA	ØB	ØC	D	E	F	ØG	ØH	J	K
100AB-A2	111	80	93.5	165	85	47	25.4	44	33	6.35
500AB -A4	182	110	123.8	206.5	90	63	40	65	53.5	6.35
500AB-A45	202	125	123.8	217.5	90	70	40	75	57.5	6.35
1000AB-A5	225	140	177.8	259.5	150	77	57	85	61.3	6.35
1000AB-A55	250	155	177.8	274.5	150	90	57	95	65.3	6.35
2000AB-A6	265	180	228.6	314.2	150	95	77	110	69.2	6.35
2000AB-A7	306	205	228.6	344.2	150	116	77	130	78.1	6.35
4000AB-A7	306	205	305	399.7	205	116	102	130	95.7	8.13
4000AB-A8	363	242	305	440.7	205	147	102	150	105.8	8.13

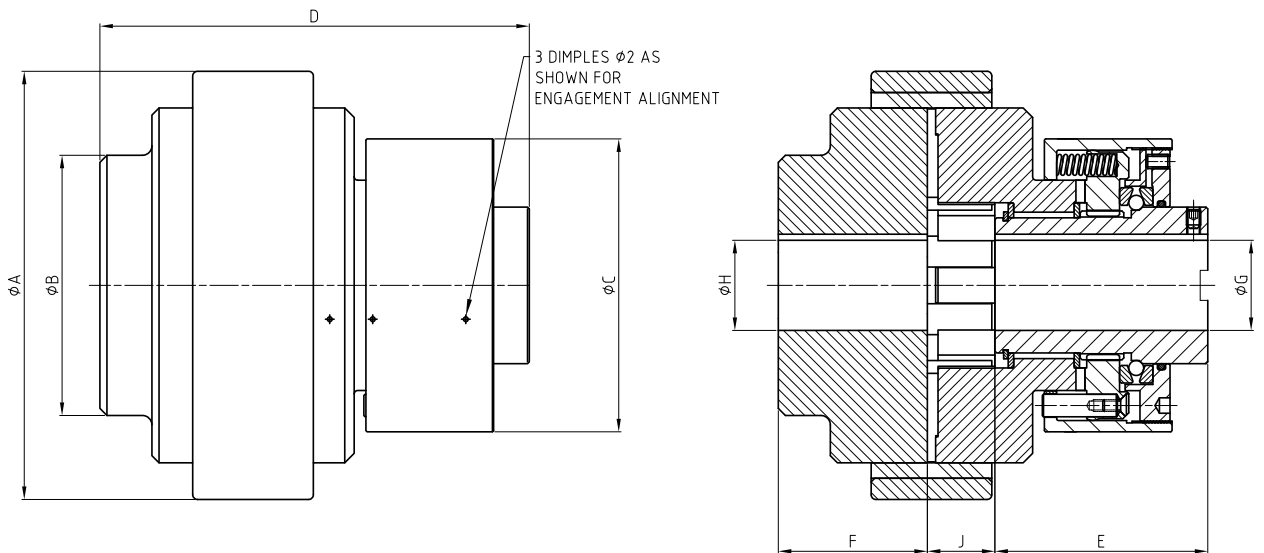


BIBBIGARD® TORQUE LIMITER WITH FLEXIBLE COUPLING

Type CS Flexible Coupling



	BIBBIGARD TORQUE LIMITER Type AB				Type CS Flex Half	
	Min. TORQUE (Nm)	Max. TORQUE (Nm)	Rpm	Max. Bore Ø (mm)		Max. Bore Ø (mm)
100AB	14	140	1500	25.4	A2	35
500AB type 1	70	460	1500	40	A4	55
500AB type 2	460	700	1500	40	A45	65
1000AB type 1	475	1150	1500	57	A5	75
1000AB type 2	1150	1356	1500	57	A55	85
2000AB type 1	610	2300	1500	77	A6	90
2000AB type 2	2300	2712	1500	77	A7	110
4000AB type 1	815	4600	1000	102	A7	110
4000AB type 2	4600	5500	1000	102	A8	120



ALL DIMENSIONS IN mm										
	ØA	ØB	ØC	D	E	F	ØG	ØH	J	K
100AB-A2CS	111	80	93.5	150	85	47	25.4	35	18	6.35
500AB -A4CS	182	110	123.8	181.5	90	63	40	55	28.5	6.35
500AB-A45CS	202	125	123.8	190.5	90	70	40	65	30.5	6.35
1000AB-A5CS	225	140	177.8	288.3	150	77	57	75	32.5	6.35
1000AB-A55CS	250	155	177.8	305.3	150	90	57	85	34	6.35
2000AB-A6CS	265	180	228.6	281.4	150	95	77	90	36.4	6.35
2000AB-A7CS	306	205	228.6	307.1	150	116	77	110	41.1	6.35
4000AB-A7CS	306	205	305	362.7	205	116	102	110	58.8	8.13
4000AB-A8CS	363	242	305	399.2	205	147	102	120	64.3	8.13



BIBBY TURBOFLEX

PROVIDING A COMPREHENSIVE RANGE OF INDUSTRIAL & ENGINEERED COUPLINGS AND TORQUE LIMITING PRODUCTS AVAILABLE FROM A SINGLE SOURCE.

About Us

Bibby Turboflex has remained a leading innovator in high performance flexible couplings and engineering solutions for rotating equipment for over 80 years. Now part of Altra Industrial Motion, with a reach covering more than 70 countries, our vision continually grows without compromising the values which led to such unrivalled success.

With roots dating back to Dr. James Bibby, inventor of the resilient grid coupling in 1917, and the development of the profile disc coupling in 1958, Bibby Turboflex has continued in the pioneering footsteps of these revolutionary leading lights.

Our Focus

Reliability, safety and accuracy are vital in both new and established models. We strive to increase your return on investment by virtually eliminating downtime and optimizing efficiency.

Our policy of recruiting engineers with excellent customer focus and innovative talent continuously advances our development using proven, state-of-the-art hardware and software to deliver excellence. Firmly committed to remaining ahead of market needs, we listen to customer feedback and pre-empt requirements, a focus that has consistently held Bibby Turboflex head and shoulders above our competitors.

Typical Applications

- Steel Mill Equipment
- Conveyor Drives
- Twin Screw Extruders
- Wood Grinding Machinery
- Ball Mill Drives
- Water Treatment Equipment
- Tunnel Boring Machines
- Machine Tools
- Woodworking Equipment
- Paper Machinery
- Pumps
- Textile Machinery
- Test Rigs
- Packaging Machinery
- Quarry Machinery
- Post Office Machinery
- Bottling Equipment
- Automatic Furnaces and Ovens
- Bakery Equipment
- Printing Equipment

Access Real Expertise

Providing in-depth expertise is of the utmost importance in serving our customers. Our professionals are available to advise on all aspects of disc coupling safety and design from general-purpose, to specialized applications; there is virtually no limit in torque or speed. Simply contact us with your ideal requirements and be assured that you will receive the optimal solution, tailored to your requirements.

Through Bibby Turboflex, customers access world-class engineering solutions, designed for the power transmission industry including:

- Products suitable for adverse environments which require extremely high resilience through to cost-effective, general-purpose applications
- Models adjusted for long-span or critical applications
- All types of couplings, with thousands of operational units
- Torque limiters, safety elements and backstop units

Altra Couplings

OFFERS THE LARGEST SELECTION OF INDUSTRIAL COUPLINGS AVAILABLE FROM A SINGLE SOURCE...WORLDWIDE

The industry-leading brands of Altra Couplings, **TB Wood's**, **Huco**, **Bibby Turboflex**, **Ameridrives**, **Guardian Couplings** and **Lamiflex Couplings**, have been providing innovative coupling solutions to meet the requirements for a broad variety of applications spanning many industries. Highly engineered Altra coupling products represent the latest in coupling technology, featuring superior design and exceptional quality to ensure long-lasting performance in all types of environments.

WWW.ALTRACOUPLINGS.COM



ELASTOMERIC COUPLINGS

TB Wood's
Bibby Turboflex
Guardian Couplings



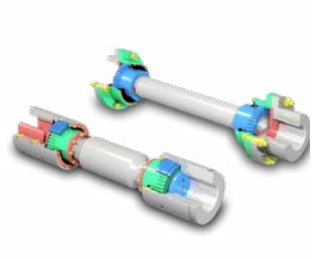
GRID & GEAR COUPLINGS

Bibby Turboflex
Ameridrives



COUPLING GUARDS & BEARING ISOLATORS

Lamiflex Couplings



GEAR SPINDLES

Ameridrives



UNIVERSAL JOINTS

Ameridrives



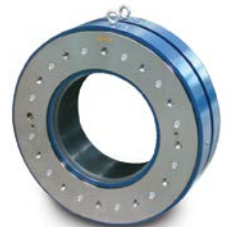
TORQUE LIMITERS

Bibby Turboflex



PRECISION COUPLINGS

Huco
Guardian Couplings



LOCKING DEVICES

Ameridrives



FLYWHEEL COUPLINGS, ENGINE HOUSINGS & PUMP MOUNTS

Guardian Couplings
TB Wood's



HIGH PERFORMANCE DISC & DIAPHRAGM COUPLINGS

Ameridrives
Bibby Turboflex
Lamiflex Couplings



GENERAL PURPOSE DISC COUPLINGS

TB Wood's
Ameridrives
Bibby Turboflex
Lamiflex Couplings

Bibby Turboflex Facilities

Europe

United Kingdom

Cannon Way, Dewsbury
West Yorkshire WF13 1EH - England
+44(0) 1924 460801

*Disc, Gear, Grid Couplings,
Overload Clutches*

Africa

South Africa

Unit 11, Middle Park, Cnr. Craig &
Dormehl Roads
Anderbolt, Boksburg, P.O. Box 16524
Atlasville, 1465 - South Africa
+27(0) 11 918-4270

*Disc, Gear, Grid Couplings,
Overload Clutches*

The Brands of Altra Industrial Motion

Couplings

Ameridrives
www.ameridrives.com

Bibby Turboflex
www.bibbyturboflex.com

Guardian Couplings
www.guardiancouplings.com

Huco
www.huco.com

Lamiflex Couplings
www.lamiflexcouplings.com

Stromag
www.stromag.com

TB Wood's
www.tbwoods.com

G geared Cam Limit Switches

Stromag
www.stromag.com

Electric Clutches & Brakes

Inertia Dynamics
www.idicb.com

Matrix
www.matrix-international.com

Stromag
www.stromag.com

Warner Electric
www.warnerelectric.com

Linear Products

Warner Linear
www.warnerlinear.com

Engineered Bearing Assemblies

Kilian
www.kilianbearings.com

Heavy Duty Clutches & Brakes

Industrial Clutch
www.indclutch.com

Twiflex
www.twiflex.com

Stromag
www.stromag.com

Svendborg Brakes
www.svendborg-brakes.com

Wichita Clutch
www.wichitaclutch.com

Belted Drives

TB Wood's
www.tbwoods.com

Gearing

Bauer Gear Motor
www.bauergears.com

Boston Gear
www.bostongear.com

Delroyd Worm Gear
www.delroyd.com

Nuttall Gear
www.nuttallgear.com

Overrunning Clutches

Formsprag Clutch
www.formsprag.com

Marland Clutch
www.marland.com

Stieber
www.stieberclutch.com

Neither the accuracy nor completeness of the information contained in this publication is guaranteed by the company and may be subject to change in its sole discretion. The operating and performance characteristics of these products may vary depending on the application, installation, operating conditions and environmental factors. The company's terms and conditions of sale can be viewed at <http://www.altramotion.com/terms-and-conditions/sales-terms-and-conditions>. These terms and conditions apply to any person who may buy, acquire or use a product referred to herein, including any person who buys from a licensed distributor of these branded products.

©2018 by Bibby Turboflex LLC. All rights reserved. All trademarks in this publication are the sole and exclusive property of Bibby Turboflex LLC or one of its affiliated companies.

