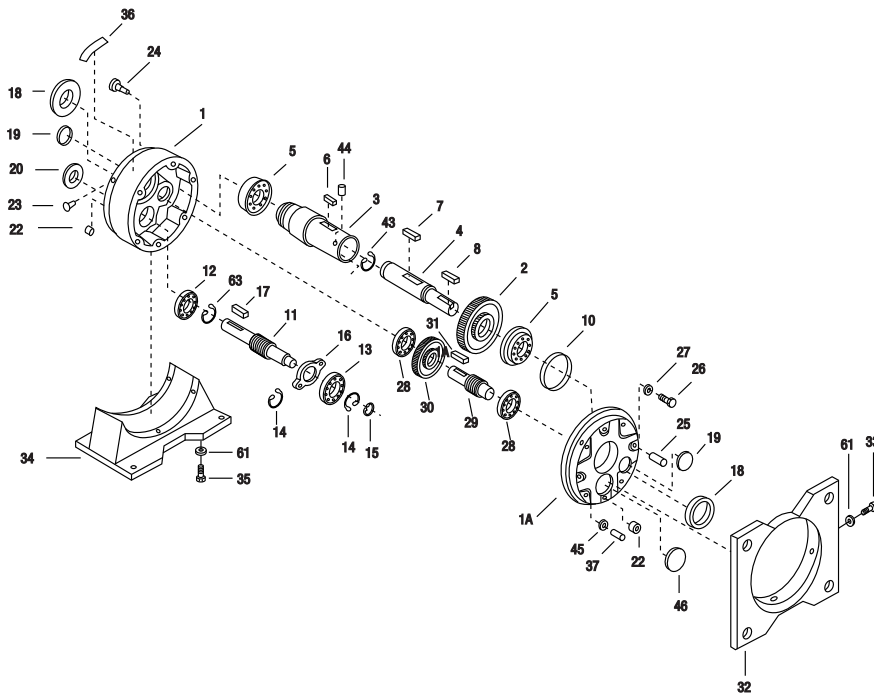
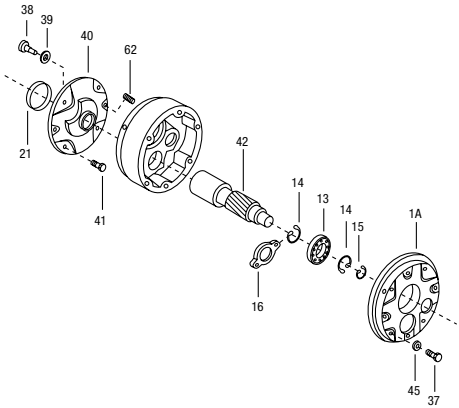


200 Series Parts List – Single and Double Reduction

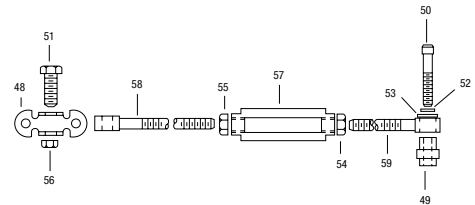
Models 221-247



Models F221-F247



Reaction Arm Kit



Part No.	Description of Part
1	HOUSING, BODY
1A	HOUSING, COVER
2	HELICAL GEAR (OUTPUT)
3	HOLLOW OUTPUT SHAFT
4	SOLID OUTPUT SHAFT, INSERT
4A	N/A
5	BALL BEARING
6	KEY, OUTPUT GEAR
7	KEY
8	KEY
9	N/A
10	SHIM
11	INPUT HELICAL PINION
12	BALL BEARING
13	BALL BEARING
14	RETAINING RING (FOR 221 ONLY)
15	RETAINING RING
16	BEARING RETAINER (FOR 226-247)
17	KEY
18	OIL SEAL
19	BORE PLUG
20	OIL SEAL
21	OIL SEAL

Part No.	Description of Part
22	PIPE PLUG
23	PLASTIC PLUG
24	VENTED OIL FILLER
25	DOWEL PIN
26	SOC. HEAD CAPSCREW
27	LOCKWASHER
28	BALL BEARING
29	INTERM. HELICAL PINION
30	INTERM. HELICAL GEAR
31	KEY, INTERM. GEAR
32	VERTICAL BASE
33	SOC. HEAD CAPSCREW
34	HORIZONTAL BASE
35	SOC. HEAD CAPSCREW
36	NAMEPLATE
37	BUTTON HD. CAPSCREW (FOR 226-247)
38	SOC. HEAD CAPSCREW
39	LOCKWASHER
40	MOTOR FLANGE
41	HEX HEAD CAPSCREW
42	MOTOR SHAFT (INPUT)
43	RETAINING RING
44	HEX. SOC. SETSCREW

Part No.	Description of Part
45	ROLLED WASHER (FOR 226-247)
46	BORE PLUG
47	N/A
48	CLEVIS
49	BUSHING
50	SOC. HEAD CAPSCREW
51	HEX HEAD CAPSCREW
52	LOCKWASHER
53	FLATWASHER
54	NUT
55	NUT, LEFT HAND
56	NUT, LOCK
57	TURNBUCKLE
58	EYEBOLT, ROD END (LEFT HAND)
59	EYEBOLT, ROD END
61	LOCKWASHER
62	HEX. SOC. SETSCREW
63	RETAINING RING

PART ORDERING INFORMATION: Be sure to provide complete Boston Gear catalog number from speed reducer nameplate, along with part description and number.



