

Section Contents

Output Bracket	128
Reaction Rods	128
Bases	129
Posivent[®]	129
Fan Kits	130
Riser Block Kit	130
Bushing	130
CFA Hardware Kit	130
RF C-Face Flange Kit	131
Bost-Kleen & Washdown Duty	132

700 Series Accessories

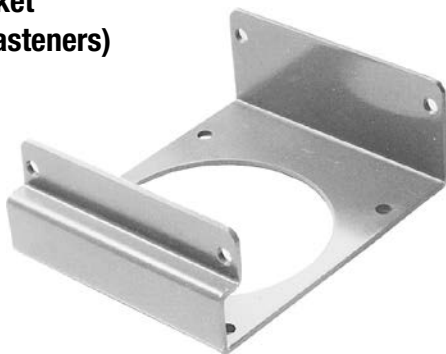
H Series Hollow Output Bore Sizes													
Unit Size													
Fraction Size	Output Bore Code	713	715	718	721	724	726	730	732	738	752	Decimal Size*	Key Size†
5/8	P10	•										.6250	3/16 x 1/8 x 1"
3/4	P12	•	•	•	•	•						.7500	3/16 x 5/32 x 1"
7/8	P14	•	•	•	•	•						.8750	3/16 x 5/32 x 1"
15/16	P15	•	•	•	•	•	•					.9375	1/4 x 7/32 x 1-3/8"
1	P16	•	•	•	•	•	•					1.0000	1/4 x 7/32 x 1-3/8"
1 1/16	P17				•	•	•					1.0625	1/4 x 7/32 x 1-3/8"
1 1/8	P18				•	•	•					1.1250	1/4 x 7/32 x 1-3/8"
1 3/16	P19				•	•	•	•	•			1.1875	1/4 x 7/32 x 1-3/8"
1 1/4	P20				•	•	•	•	•			1.2500	1/4 x 7/32 x 1-3/8"
1 5/16	P21				•	•	•	•	•			1.3125	5/16 x 1/4 x 1-5/8"
1 3/8	P22				•	•	•	•	•	•		1.3750	5/16 x 1/4 x 1-5/8"
1 7/16	P23				•	•	•	•	•	•		1.4375	3/8 x 5/16 x 1-3/4"
1 1/2	P24						•	•	•	•		1.5000	3/8 x 5/16 x 1-3/4"
1 5/8	P26						•	•	•	•		1.6250	3/8 x 5/16 x 1-3/4"
1 11/16	P27						•	•	•	•		1.6875	3/8 x 5/16 x 1-3/4"
1 3/4	P28						•	•	•	•		1.7500	3/8 x 5/16 x 1-3/4"
1 7/8	P30							•	•	•		1.8750	1/2 x 3/8 x 2"
1 15/16	P31						•	•	•	•	•	1.9375	1/2 x 3/8 x 2"
2	P32							•	•	•	•	2.0000	1/2 x 3/8 x 2"
2 1/8	P34								•	•		2.1250	1/2 x 3/8 x 2"
2 3/16	P35							•	•	•		2.1875	1/2 x 3/8 x 2"
2 1/4	P36								•	•		2.2500	1/2 x 3/8 x 2"
2 7/16	P39								•	•		2.4375	5/8 x 1/2 x 2-1/2"
3 7/16	P55									•		3.4375	7/8 x 5/8 x 3"

* Bore Tolerance +.0015 - .0000

• Available bore sizes

† Key is provided with reducer to fit hollow shaft. Driven shaft requires standard width and depth keyway.
Also available in stainless steel.

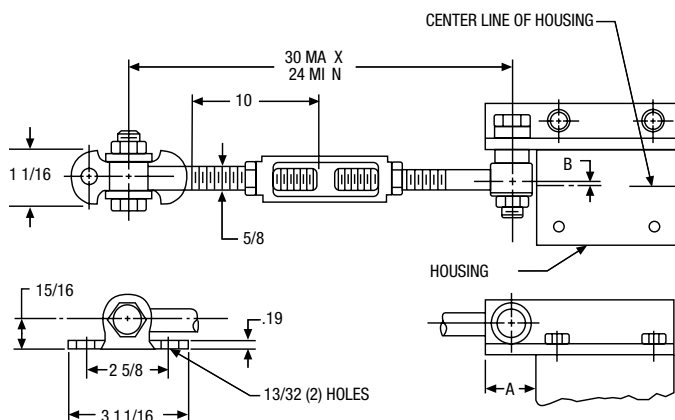
Output Bracket (Including Fasteners)



ORDER BY CATALOG OR KIT NUMBER

Size	Catalog Number	Kit Number
713	XH713-11RLK	13977
715	XH715-11RLK	13978
718	XH718-11RLK	13979
721	XH721-11RLK	13980
724	XH724-11RLK	13981
726	XH726-11RLK	13982
730	XH730-11RLK	65547
732	XH732-11RLK	13983
738	XH738-11RLK	13984

Reaction Rod Kits



Accessory kits are shipped separately, unless otherwise specified.
ORDER BY CATALOG OR KIT NUMBER

Size	Dimensions		Catalog Number	Kit Number
	A	B		
713	1.31	.26	XH713-76K	13973
715	1.18	.12	XH715-76K	13974
718	1.09	.09	X718-76K	69692
721	1.25	.03	X721-76K	69693
724	1.00	.03	X721-76K	69693
726	1.25	.22	X726-76K	69694
730	2.10	.52	X732-76K	69695
732	1.50	.53	X732-76K	69695
738	1.41	.91	XH738-76K	13976

Complete kit includes all hardware shown, angle bracket and cap screws.

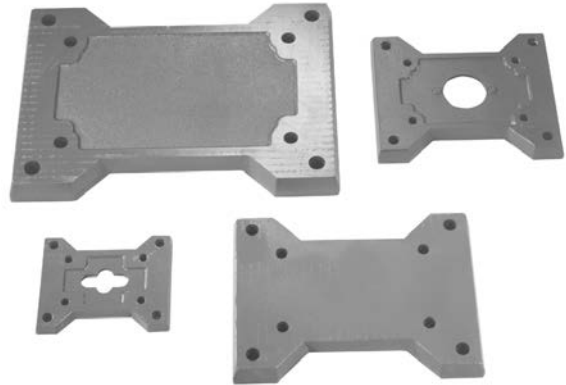
700 Series Accessories

Dimensions of bases assembled on units are shown on applicable reducer dimension pages.
Accessory kits are shipped separately, unless otherwise specified.

ORDER BY KIT NUMBER

Size	Cast Iron Kit Number
710A,B	87874
713A,B	56437
715A,B	56438
718A,B	56439
721A,B	56440
724A,B	56441
726A,B	56442
730A,B	65544
732A,B	56599
738A,B	56603
752A,B	56607
760A,B	56610

Cast Iron Base Kits (Including Fasteners) For Horizontal Positions A & B



ORDER BY KIT NUMBER

SIZE	KIT NUMBER	SIZE	KIT NUMBER
710C	56576	724X/Y	55678
713D	56579	726D	56597
713C	56578	726C	56596
713X/Y	55196	726X/Y	55769
715D	56583	730D	65546
715C	56582	730C	65545
715X/Y	55349	732D	56601
718D	56583	732C	56600
718C	56582	738D	56605
718X/Y	55349	738C	56604
721D	56589	752D	56609
721C	56588	752C	56608
721X/Y	55644	760D	56612
724D	56593	760C	56611
724C	56592		

Cast Iron Base Kits (Including Fasteners) For Vertical Positions C, D, E & F



Type "C" and "E" are High Base.
Type "D" and "F" are Low Base.
Type "X" and "Y" are Input Vertical.

For E Base order C Base.
For F Base order D Base.

710 available High Base only.

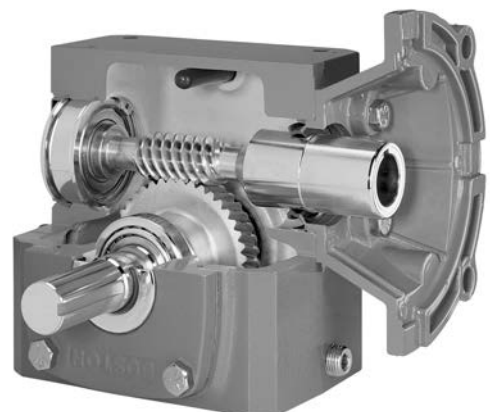
The Boston Gear PosiVent option is available in all current 700 series styles and configurations. This specially-designed internal pressure equalization system allows the gearbox to operate in all environments without the use of conventional pressure vents. Unlike competitive versions, our unique single seam design allows for easy installation and extended life. This means longer trouble-free operation with virtually no maintenance.

USDA approved washdown finishes available in Bost-Kleen™ and Stainless Bost-Kleen™

The PosiVent option is ideal for material handling, food processing, medical and pharmaceutical applications.

To order specify the letter "Z" for the vent option, in the 700 series catalog number.

Speed Reducers With PosiVent® Option

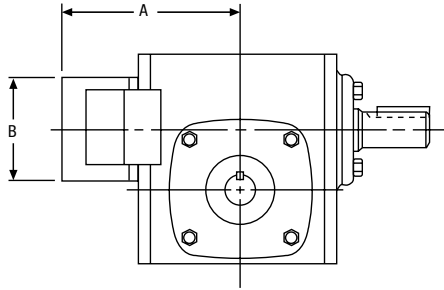
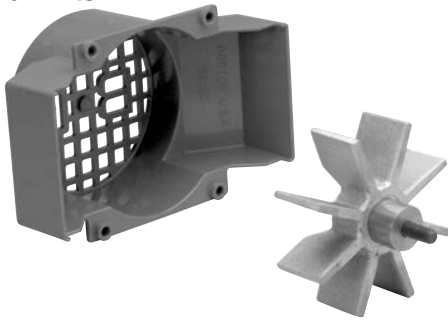


D

700 Series Accessories

Accessory kits are shipped separately, unless otherwise specified.

Fan Kits



ALL DIMENSIONS IN INCHES
ORDER BY KIT NUMBER

Size	Kit Number	A	B
732	51450	7.60	4.87
738	51451	8.09	5.19
752	51452	10.87	6.25
760	51453	11.56	7.50

Riser Block Kit

Riser blocks permit the speed reducer to be mounted in the most desirable position, i.e. high speed input shaft above the oil level. The riser blocks allow clearance over the motor without inverting the speed reducer. They are ideal for mounting on inclined conveyors for frame clearance. The kit includes Riser Block and attachment bolts. Horizontal Base must be ordered separately.

Dimensions of kits assembled on units are shown on Page 37.



ORDER BY KIT NUMBER

Size	C.D.	Kit Number	Motor Frame
710	1.00	51434	42CZ
		51513	56C
713	1.33	51435	56C
715	1.54	51436	56C
			140TC
718	1.75	51437	56C
			140TC
721	2.06	51438	56C
			140TC
724	2.38	51439	56C
			140TC
			180TC
726	2.62	51440	56C
			140TC
			180TC
730	3.00	65542	56C/140TC
		65548	180TC
732	3.25	51441	56C
			140TC
			180TC

D

7/8 x 5/8 Input Bushing & Key Kit

Convenient for reducing input quill of a flanged reducer from 7/8" bore to 5/8" bore.



ORDER BY KIT NUMBER

DESCRIPTION	KIT NUMBER
7/8 X 5/8 Bushing & Key	18958

CFA Hardware Kits

These end caps are ideally suited to cover the non-working shaft end of the Boston hollow shaft worm gear speed reducers. (And in particular, the HF700 M/N CFA models.)

ORDER BY KIT NUMBER

DESCRIPTION	KIT NUMBER	CATALOG NUMBER
718 CFA Hardware Kit	87406	XH718-CFA-Kit
721 CFA Hardware Kit	87408	XH721-CFA-Kit
724 CFA Hardware Kit	87415	XH724-CFA-Kit
726 CFA Hardware Kit	87422	XH726-CFA-Kit



Not Recommended for Shock Loads or Reversing Applications

700 Series Accessories

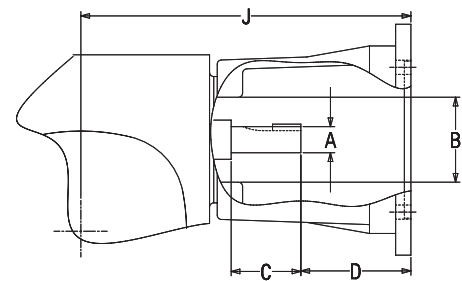
Accessory kits are shipped separately, unless otherwise specified.

ORDER BY KIT NUMBER

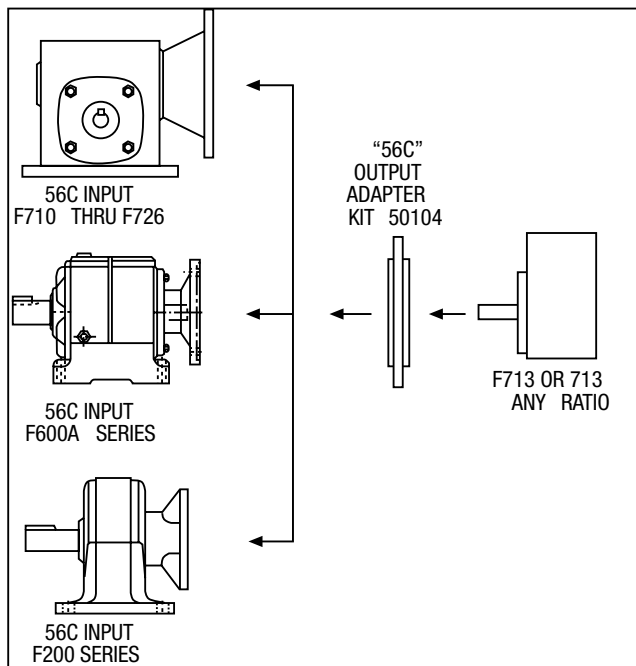
Reduction		NEMA Frame	Flange Kit No.*	A	B	C	D	J
Single	Double							
710	W713	42CZ	52966	3/8	1-3/16	13/16	1-7/8	4.76
	W718	56C	52967		1-1/8		2-27/32	5.72
713	W721	56C	52968	1/2	1-7/8	1-5/16	2-11/16	6.59
	W726	140TC	52970					
715		56C	52969	5/8	1-7/8	1-9/16	2-21/32	7.34
		140TC	52970				7.34	
718	W730	56C	52969	5/8	1-7/8	1-9/16	2-21/32	7.53
	W732	140TC	52970				7.53	
721	W738	56C	52971	5/8	2	1-9/16	3-3/16	8.31
		140TC	52972				8.31	
724		56C	52973	3/4	2	2	2-3/4	8.50
		140TC	52974				2-3/4	8.50
		180TC	52964				4-3/16	9.94
726	W752	56C	52976	3/4	2-7/16	2	3-5/32	9.47
		140TC	52977		2-7/16		3-5/32	9.47
		180TC	52975		3-3/8		4-1/8	10.44
730		56C	52976	3/4	2-7/16	2	3-5/32	9.92
		140TC	52977		2-7/16		3-5/32	9.92
		180TC	52975		3-3/8		4-1/8	10.88
732	W760	56C	52978	7/8	2-7/16	2-11/32	2-27/32	10.28
		140TC	52979		2-7/16		2-27/32	10.28
		180TC	52980		3-3/8		3-13/16	11.25
738		140TC	52981	1	2-11/16	2-3/4	2-15/16	11.81
		180TC	52982		2-7/16		4-1/2	11.81
		210TC	52983		2-7/16		4-1/2	12.88
752		180TC	52984	1-1/4	3-3/8	3-1/4	5-5/16	16.00
		210TC	52985				16.00	
		250TC	52986				16.00	
760		210TC	52987	1-1/2	3-3/8	3-7/8	4-15/16	16.69
		250TC	52988				16.69	

RF700 NEMA C-Face Flange Kits

Flange is designed specifically to adapt Boston 700 Series speed reducers to a standard NEMA C-Face mounted motor. Flanges are offered in kit form and should be ordered in addition to the worm gear speed reducer size and specific ratio. Refer to pages 16-33 for ordering and rating information. The kit includes flange, Boston FC type three jaw coupling, polyurethane insert and all mounting hardware. See RF models for dimensions.



* Includes FC coupling kit.



713 "56C" Face Output Adapter kit

Capable of adapting any F713 or 713 Speed Reducer to a suitable size Worm, Helical or Planetary Drive to obtain a Multiple Reduction Gear Drive.

Ideally suited to make Multi-reduction gear reducers from stock 56C input flanged reducers.

Simply order Kit No. 50104. The kit contains all appropriate hardware and instructions for easy use.

- Overall Output Ratings Should Not Exceed Gear Capacity for Required Output RPM.
- Refer To Rating Tables And Interpolate As Required To Obtain Appropriate H.P. And Torque.

D

700 Series Worm Gear Bost-Kleen Speed Reducers Washdown Duty



Boston Gear's Bost-Kleen and Stainless Bost-Kleen reducers assure contamination-safe operation in the most stringent environmental conditions.

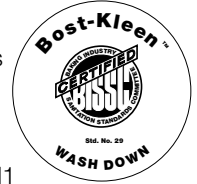
White Bost-Kleen™

- Washable and Scrubbable
- Stainless Steel Output Shafts
- Exposed hardware made of stainless steel
- White Epoxy Finish
- Boston Gear's Proven 700 Series Quality
- Limited Lifetime Warranty
- Cast Iron Housing
- Plated Pressure Relief Valves Standard
- Double Lipped Oil Seals
- Available from Stock up to 25 HP in 1" to 6" Center Distances
- Indoor use only (Not UV rated)



BISSC Certified Units

- Includes all the standard Bost-Kleen features
- Single reduction quill style units
- Available in BK or SBK
- Pre-lubricated standard with Klubersynth UH1 6-460 synthetic oil when ordered with "K" in the catalog description
- Non-aggressive cleaning solutions only
- Smooth flat machined surfaces to resist dirt build-up. Bolt heads and nuts are exposed so contaminants can easily be removed to simplify washdown.
- Solid projecting output shafts
(BISSC—The Baking Industry Sanitation Standards Committee)



Stainless Bost-Kleen™

- Includes all Bost-Kleen features plus a multi layered paint system
- U.S.D.A. approved for use in food processing and handling industry where incidental food contact may occur
- Best painted solution for harsh wash down conditions
- Durable stainless steel epoxy coating system utilizes a unique #316L stainless steel leafing pigment. This catalyzed system creates a hard, non-toxic metallic finish



Available options on BK and SBK

- Premounted Stainless Washdown Motors
- Prelubrication from the factory see page 16 for a complete list of lubrication options



BISSC CERTIFIED Basic Model Numbers, Dimensions and Available Ratios

WHITE BOST-KLEEN		STAINLESS BOST-KLEEN		Center Distance	NEMA Mounting*	Input Shaft Dia.** +.000 -.001	Output Shaft Dia. +.000 -.001	Available Ratios
Non-Flanged Type	Quill Type	Non-Flanged Type	Quill Typed					
BK710†	BKF710†	SBK710†	SBKF710†	1.00	56C	.3745	.500	5, 10, 15, 20, 30, 40, 50, 60
BK713	BKF713	SBK713	SBKF713	1.33	56C	.4995	.625	5, 10, 15, 20, 25, 30, 40, 50, 60
BK715	BKF715	SBK715	SBKF715	1.54	56C, 140TC	.6245	.750	5, 10, 15, 20, 25, 30, 40, 50, 60
BK718	BKF718	SBK718	SBKF718	1.75	56C, 140TC	.6245	.875	5, 10, 15, 20, 25, 30, 40, 50, 60
BK721	BKF721	SBK721	SBKF721	2.06	56C, 140TC	.6245	1.000	5, 10, 15, 20, 25, 30, 40, 50, 60
BK724	BKF724	SBK724	SBKF724	2.38	56C, 140TC, 180TC	.7495	1.125	5, 10, 15, 20, 25, 30, 40, 50, 60
BK726	BKF726	SBK726	SBKF726	2.62	56C, 140TC, 180TC	.7495	1.125	5, 10, 15, 20, 25, 30, 40, 50, 60
BK730	BKF730	SBK730	SBKF730	3.00	56C, 140TC, 180TC	.8745	1.250	5, 10, 15, 20, 25, 30, 40, 50, 60
BK732	BKF732	SBK732	SBKF732	3.25	56C, 140TC	.8745	1.375	10, 15, 20, 25, 30, 40, 50, 60
BK738	BKF738	SBK738	SBKF738	3.75	140TC, 180TC, 210TC	.9995	1.625	10, 15, 20, 30, 40, 50, 60
BK752	—	SBK752	—	5.16	—	1.2495	2.000	10, 15, 20, 30, 40, 50, 60
BK760	—	SBK760	—	6.00	—	1.4995	2.250	10, 15, 20, 30, 40, 50, 60

* For BKF700 and SBKF700 Series Quill Type.

** For BK700 and SBK700 Series Reductor Type.

† Cast Iron Base Not Available.

See Pages 16 (Single reduction) and 56 (double reduction), add prefix "BK" (Bost-Kleen) or SBK (Stainless Bost-Kleen) to style type. All other ordering information remains the same.