

Section Contents

Product Reference Guide	12-13
Numbering System / How To Order	14 & 16
Selection Procedure	17
Assemblies and Mounting Positions	18-19
Recommended Lubricants	20
Output RPM Selection Tables	22-29
RATIO & CAPACITY Selection Tables	30-33
REDUCER Dimensions	34-52
STAINLESS Washdown Duty	53-60
Accessories	128-132

700 Series Worm Gear Product Reference Guide

Single Reduction Flanged Reducers & Non-Flanged Reducers

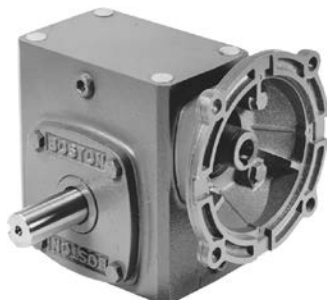
A

Ordering Information – Page 14-15

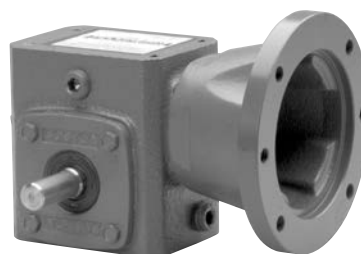
Selection/Rating Information—Pages 17, 22-33

Lubrication – Page 20

Motor Selection – Pages 339 & 348



F700 BASIC
Dimensions — Page 34



QC700 BASIC
Dimensions — Page 34



F/QC700B
Dimensions — Page 35



F/QC700BRB
Dimensions — Page 37



F/QC700C/D
Dimensions — Page 38



HF/HQC/SF700
Dimensions — Page 35



HF/HQC-R/L + SF700V/W
Dimensions — Page 37



700 BASIC
Dimensions — Page 38

700 Series Worm Gear Speed Reducers

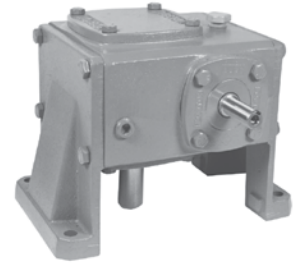
A



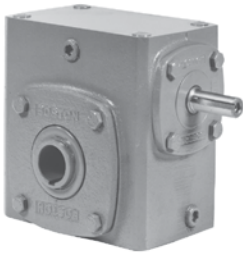
700B
Dimensions — Page 45



700A
Dimensions — Page 46



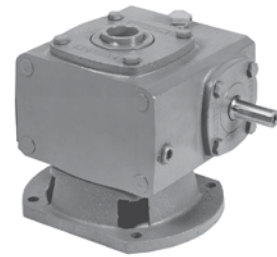
700C/D
Dimensions — Page 47



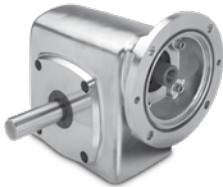
H/S700
Dimensions — Pages 49



H700R/L
Dimensions — Page 50



S700V/W
Dimensions — Page 52



SSF700
Dimensions — Page 59



SSH700
Dimensions — Page 59



SSH700V/W
Dimensions — Page 60



SSH700WB
Dimensions — Page 62



SSH700WD
Dimensions — Page 63

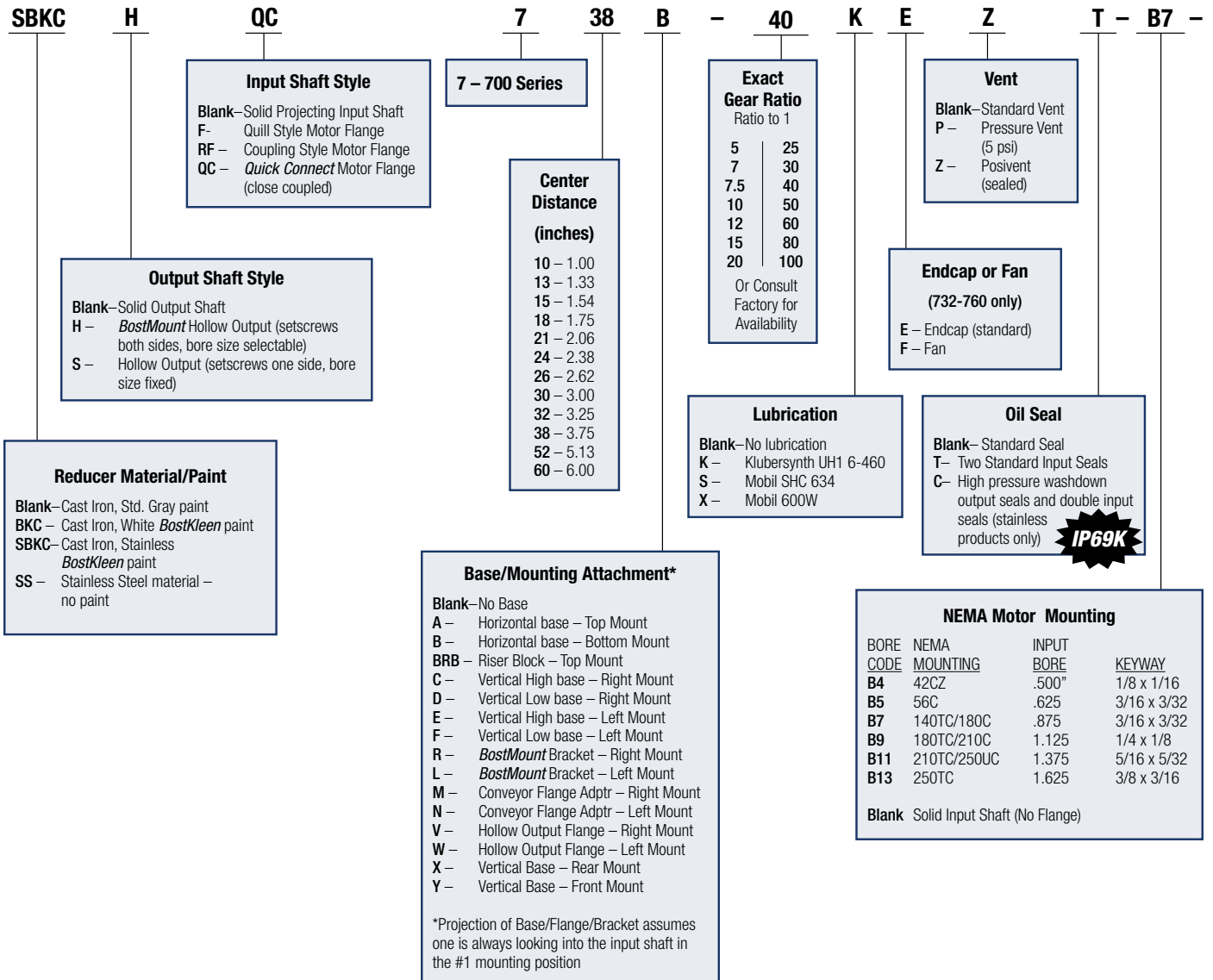


SSFSP5
Dimensions — Page 66

700 Series Single Reduction

700 Series Right Angle Worm Gearbox - Single Reduction

A



700 Series Single Reduction

A

HS 1 - P24 -

BostMount Output Bore Code

For H Series Only Specified in 1/16" increments.

Example: 1 1/4" = P20

5/8 - P10	1-1/2 - P24
3/4 - P12	1-5/8 - P26
7/8 - P14	1-11/16 - P27
15/16 - P15	1-3/4 - P28
1 - P16	1-7/8 - P30
1-1/16 - P17	1-15/16 - P31
1-1/8 - P18	2 - P32
1-3/16 - P19	2-1/8 - P34
1-1/4 - P20	2-3/16 - P35
1-5/16 - P21	2-1/4 - P36
1-3/8 - P22	2-7/16 - P39
1-7/16 - P23	3-7/16 - P55

See catalog page 128 for availability by center distance.
Consult Factory for Metric Bores

Mounting Positions

Blank - No Lubrication Supplied

For Factory Prelubrication Indicate Mounting Position

- 1 - Standard Mounting (Worm over)
- 2-6 - Refer to Mounting Positions in Catalog pages 18-19

Output Shaft

(When facing Input and worm on top)

- G - Carbon Steel Output Projection - Left
- H - Carbon Steel Double Output Projection
- J - Carbon Steel Output Projection - Right
- GS - Stainless Output Projection - Left
- HS - Stainless Double Output Projection
- JS - Stainless Output Projection - Right

Clutch/Brake

CMBA140TR-6 -

Common C-Face Brakes Installed

115/230 VAC 60hz	Ft-Lb	Bore Code
CMBA56R-3	3	B5
CMBA56R-6	6	B5
CMBA140TR-6	6	B7
208-230/460 VAC 60hz		
Ft-Lb	Bore Code	
CMBA56U-3	3	B5
CMBA56U-6	6	B5
CMBA140TU-6	6	B7

Other sizes available. See catalog page 343.

Motor

HUTF-IDB - 3

Motor Conduit box Orientation

(When looking at fan end of motor and gearbox is in mounting position #1)

- 0 - 12 O'clock
- 3 - 3 O'clock (standard for G & H shaft assemblies)
- 6 - 6 O'clock
- 9 - 9 O'clock (standard for J shaft assemblies)

Common C-Face Motors Installed

HP Rating	Bore Code	AC Voltage	
		115/208-230-1-60	208-230/460-3-60
1/4 HP	B5	DRTFB	DUTFB
1/3 HP	B5	ERTFB	EUTFB
1/2 HP	B5	FRTFB	FUTFB
	B5		FUT-SS
	B5		FUTF-IDB
3/4 HP	B5	GRTFB	GUTFB
	B5		GUT-SS
	B5		GUTF-IDB
1 HP	B5	HRTF-5/8B	HUTF5/8B
	B5		HUT5/8-SS
	B5		HUTF5/8-IDB
	B7		HUTFB
	B7		HUT-SS
	B7		HUTF-IDB
1.5 HP	B7		JUTFB
	B7		JUTF-SS
	B7		JUTF-IDB
2 HP	B5		KUTF5/8B
	B7		KUTFB
	B7		KUTF-SS
	B7		KUTF-IDB
3 HP	B9		LUTFB
	B9		LUTF-SS
	B9		LUTF-IDB
5 HP	B9		MUTFB

Other motors available, please see catalog pages 333 to 342.

- T - Totally enclosed non-ventilated
- TF - Totally enclosed fan cooled
- SS - Stainless
- IDB - Inverter Duty (10:1 turn down constant torque)
- B5 - 56C
- B7 - 140TC
- B9 - 180TC

Single Reduction Numbering System / How to Order

A

Style	Size	Base	Ratio	Lubrication	Fan	Vent	Oil Seals	NEMA Mounting	Shaft Assembly	Mounting Position	Output Bore Code
-------	------	------	-------	-------------	-----	------	-----------	---------------	----------------	-------------------	------------------

Style Designates reducer or flanged reducer, projecting or hollow output shaft.

- C** – Designates cast iron flange and base. (Standard on motor flanges 3 HP (180TC) and up and all bases except horizontal (710-726).
- Blank** – Single reduction reducer with projecting input and output shafts. (No code letter required).
- H** – Single reduction reducer with projecting input and *BostMount* hollow output shaft. (No flange) (713-738)
- S** – Single reduction reducer with hollow output shaft. (Sizes 718, 721, 726 and 732).
- F** – Single reduction flanged reducer (Quill types) with projecting output shaft.
- HF** – Single reduction flanged reducer (Quill types) with *BostMount* hollow output shaft. (Sizes 713-738)
- SF** – Single reduction flanged reducer (Quill types) with hollow output shaft. (Sizes 718, 721, 726 and 732)
- QC** – Single reduction flanged reducer (Coupling types) with projecting output shaft.
- HQC** – Single reduction flanged reducer (Coupling types) with *BostMount* hollow output shaft. (Sizes 713-738)
- RF** – Single reduction flanged reducer (Coupling types) with Projecting output shaft. 752 - 760 Size Only
- BK** – Designates Cast Iron, White *BostKleen* paint
- SBK** – Designates Cast Iron, Stainless *BostKleen* paint
- SSF** – Stainless Steel Single reduction flanged reducer (Quill types) with projecting output shaft.
- SSHF** – Stainless steel single reduction flanged reducer with *BostMount* hollow output shaft.

Size Center distance, rounded off.

710 - 1.00	721 - 2.06	732 - 3.25
713 - 1.33	724 - 2.38	738 - 3.75
715 - 1.54	726 - 2.62	752 - 5.16
718 - 1.75	730 - 3.00	760 - 6.00

Base Base positions relative to output shaft. Shipped separately as Base Kits. See Page 129.

- Blank** – No base kit supplied
- A,B** – Horizontal bases
- C,D,E & F** – Vertical Bases*
- R/L** – BostMount Output Bracket
- X** – Input Vertical Up
- Y** – Input Vertical Down
- BRB** – Horizontal base with riser block
- V,W** – Flanged bases, available on “S” hollow shaft models only. Factory assembled.
- M/N** – Flanged bases, available on “CFA” hollow shaft models only.

*For E, F vertical base arrangements, see Pages 18, 19.

Ratio See Selection Tables for available ratios

Lubrication Optional Prelubrication.*

- Blank** – No Lubrication supplied.
 - K** – Klubersynth UH1 6-460
 - S** – Mobil SHC634 Synthetic Lubricant
 - X** – Mobil 600W
- *When specifying optional prelubrication, include mounting position after shaft assembly.

Fan Optional fan available on sizes 732-760 single reduction only. Shipped separately as Fan Kit. See Page 130.

- Blank** – No Fan Kit. **E** - End Cap (standard) **F** - Fan Kit

Vent Pressure Relief.

- Blank** – Standard Vent
- P** – 5 PSI Vent
- Z** – PosiVent® Pressure Compensating Bladder

Oil Seals

- Blank** – Standard Seal
- T** – Double Input Seals. Recommended for mounting positions 2, 3, 4, 6
- C** – High pressure/wash down configuration for stainless gearboxes. Contains double input seals and axial face seals on the output.

NEMA Mounting Designates flange size and input bore diameter. Flanged reducers only. Leave blank for projecting input reducers.

Bore Code	NEMA Mounting	Input Bore	Keyway
B4	42CZ	.500"	1/8 x 1/16
B5	56C	.625	3/16 x 3/32
B7	140TC/180C	.875	3/16 x 3/32
B9	180TC/210C	1.125	1/4 x 1/8
B11	210TC/250UC	1.375	5/16 x 5/32
B13	250TC	1.625	3/8 x 3/16

See page 98 for Mounting Dimensions.

Shaft Assembly Assembly shaft arrangements. See assemblies, pages 18 and 19.

- G** – Standard assembly (left)
- H** – Double output shaft projection
- J** – Opposite to standard (right)
- GS** – Stainless standard assembly (left)
- HS** – Stainless double output shaft projection
- JS** – Stainless opposite to standard (right)

Mounting Position Designates the position of oil and vent plugs with respect to mounting.

- Blank** – For units not supplied prelubricated.
- 1-6** – See pages 18 and 19.

Output Bore Code Specified in 1/16" increments. See page 128 for complete offering. Example 1 1/4" = P20 For H Series only.

How to Order

When ordering reducers please include code letters for Style, Size, Base (if required), Ratio, Fan (if required), Lubrication (if required), NEMA Mounting (if flanged reducer), Shaft Assembly and Motor (if required).

EXAMPLE: Required size, 721 Quill types flanged reducer, 30:1 ratio, 5/8" input bore, standard assembly, with horizontal base, no lubrication. Motor to be 3/4 HP, 1750 RPM, 230/460 Volt, 3 Phase, 60 cycle, open dripproof.

F **721** **B** – **30** – **B5** – **G** – **GUB3**

1. Reducer, Base and Motor Shipped separately:
ORDER: Reducer - **F721-30-B5-G**
Base Kit - **56587**
Motor - **GUB3**
2. Reducer, Base and Motor assembled:
ORDER: **F721B-30-B5-G-GUB3**

Single Reduction Speed Reducer Selection Procedure

To properly select a speed reducer, the following application information must be known:

- Input RPM (Ratio)
- Output Torque
- Input Horsepower
- Service Factor

Non-Motorized Speed Reducer

1. Determine service factor from table below.
2. Determine design horsepower.
Design Horsepower =
Application Load x Service Factor
3. Select a speed reducer size that satisfies output RPM, service class and/or output torque requirements.
4. Check overhung load capacity.

Motorized Speed Reducer

1. Determine service class from table below.
2. Select a reducer size that satisfies output RPM, service class and/or output torque requirements.
3. Check overhung load capacity.

Service Factor Table

AGMA Class of Service	Service Factor	Operating Conditions
I	1.00	Moderate Shock-not more than 15 minutes in 2 hours.
		Uniform Load-not more than 10 hours per day.
II	1.25	Moderate Shock-not more than 10 hours per day.
		Uniform Load-more than 10 hours per day.
	1.50	Heavy Shock-not more than 15 minutes in 2 hours.
		Moderate Shock-more than 10 hours per day.
III	1.75	Heavy Shock-not more than 10 hours per day.
	2.00	Heavy Shock-more than 10 hours per day.

For complete AGMA Service Factors and Load Classifications, see Engineering Section, Pages 348 and 349.

Single Reduction Selection Tables

Capacity Selection Tables on pages 22-29 list catalog numbers and ratios of both reducers and gearmotors. Output RPM, output torque and horsepower are all based on 1750 RPM input. Output torque and horsepower capacities at other input RPM's are listed on pages 30-33. For motorized reducer selection, select the desired output RPM and refer to the gearmotor ratings column. For non-motorized reducers, refer to the reducer gear capacity columns. For the desired HP, torque and service factor that satisfies your requirements, a 700 Series basic reducer number will be indicated. For complete catalog numbering system, descriptions and options, refer to Pages 14-15.

Overhung Load

If the output shaft of a speed reducer is connected to the driven machine by other than a flexible coupling, an overhung load is imposed on the shaft. This load may be calculated as follows:

$$OHL = \frac{2TK}{D}$$

- OHL = Overhung Load (LB.)
- T = Shaft Torque (LB.IN.)
- D = PD of Sprocket, Pinion or Pulley (IN.)
- K = Load Connection Factor

Load Connection Factor

Sprocket or Timing Belt	1.00
Pinion and Gear Drive	1.25
Pulley and V-Belt Drive.	1.50
Pulley and Flat Belt Drive	2.50

An overhung load greater than permissible load value may be reduced to an acceptable value by the use of a sprocket, pinion or pulley of a larger PD. Relocation of the load closer to the center of reducer will also increase OHL capacity.

Permissible Overhung Loads and Output Shaft Thrust Loads are listed for each reducer in the Tables on pages 30-33.

Maximum Input Speeds

710, 713	4500 RPM
715 through 732	3600 RPM
738, 752	2500 RPM
760	1750 RPM

NOTE: Horsepower ratings for 1750 RPM should not be exceeded when operating at higher input speeds.

Ratings shown reflect maximum gear capacity with Klubersynth UH1 6-460 lubricant. The use of other lubricants may reduce ratings by up to 15%.

Ratings are mechanical not thermal.



Flanged Reducer Assemblies and Mounting Positions

Assemblies - F/QC/RF 700 Series

Standard assemblies define output shaft (slow speed) projection with respect to input shaft (high speed) and mounting surface.

Types "A" and "B" are horizontal bases.

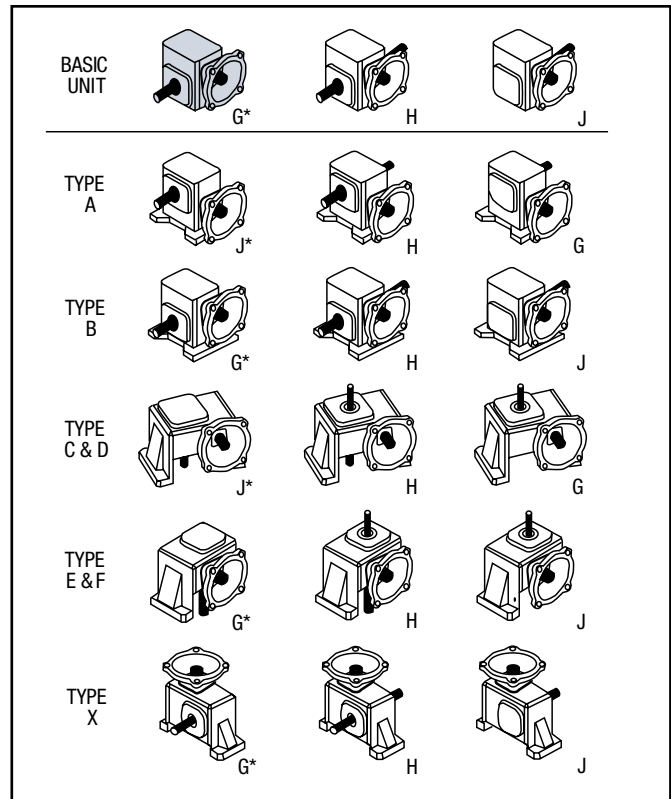
Types "C" and "E" are vertical high bases and Types "D" and "F" are vertical low bases. Types "X" is input vertical up.

Basic models and separate base kits are supplied unless otherwise specified. Assembly "H" is available at a slight additional charge.

See Pages 14-15 for complete ordering instructions.

Input may rotate clockwise or counter clockwise.

FOR OTHER CONFIGURATIONS NOT SHOWN, CONTACT FACTORY.



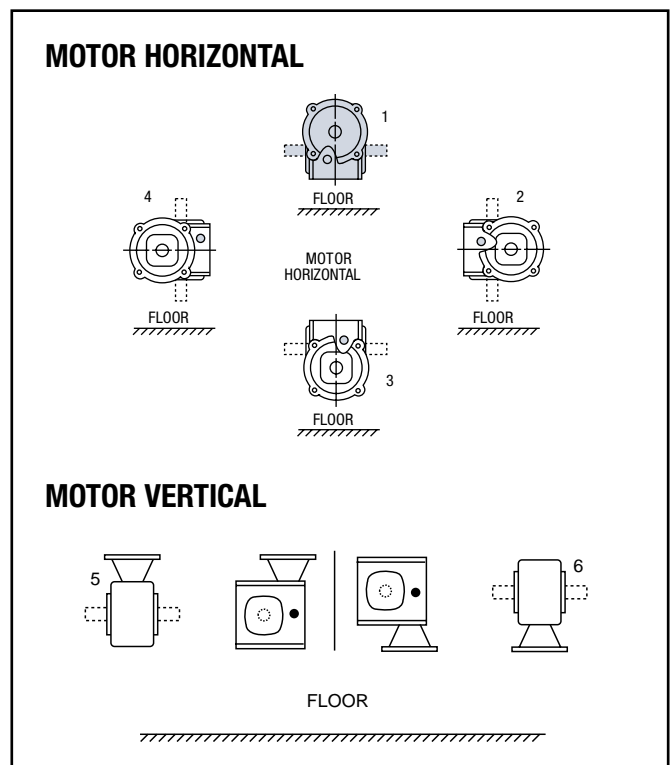
* Standard assemblies

Mounting Positions - F/QC/RF - SF - HF/HQC 700 Series

Standard assemblies are for Position 1. The design permits any types of assembly to be mounted in any position shown by the proper location of the vented oil filler, level and drain plugs, at the time of installation.

For other than Position 1, order standard and relocate vented oil filler, level and drain plugs.

For production orders Boston Gear will assemble units for the specified mounting position desired at no additional charge.



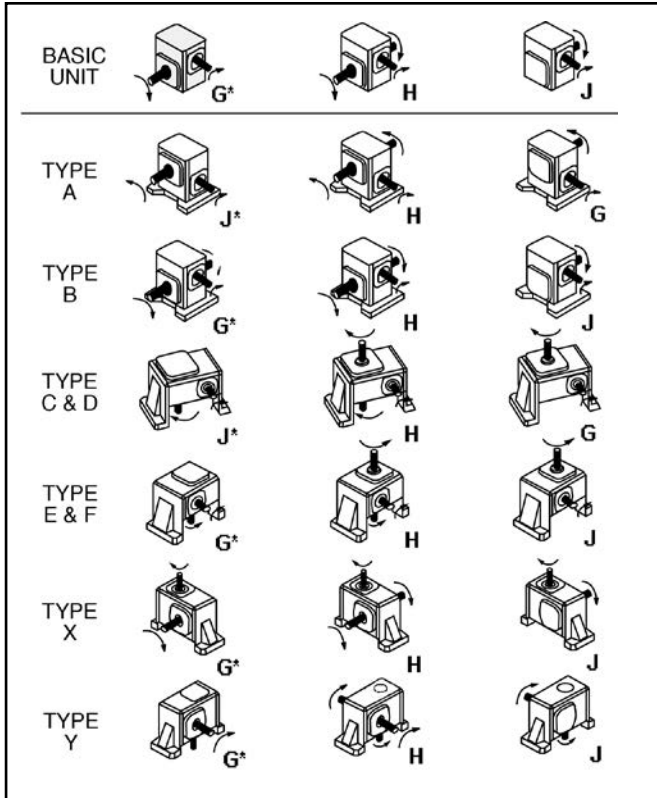
- Indicates proper oil level.
- When mounting gearboxes in positions 2, 3, 4, 6 Double Input Seals are required.

A

CAUTION

When ordering speed reducers pre-lubricated, the Mounting Position must be indicated to ensure proper oil level and seal configuration.

Non-Flanged Reducer Assemblies and Mounting Positions



* Standard assemblies

Assemblies - 700 Series

Standard assemblies define output shaft (slow speed) projection with respect to input shaft (high speed) projection and mounting surface.

Types "A" and "B" are horizontal bases.

Types "C" and "E" are vertical high bases and Types "D" and "F" are vertical low bases. Type "X" is input vertical up. Type "Y" is input vertical down.

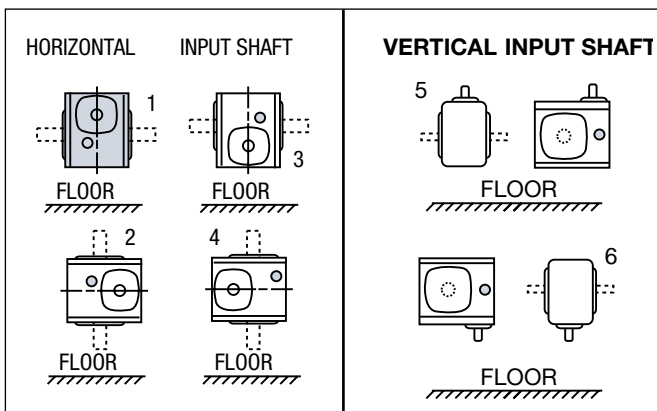
Basic models and separate base kits are supplied unless otherwise specified. Assembly "H" is available at a slight additional charge.

See Pages 14-15 for complete ordering instructions.

Input may rotate clockwise or counter clockwise. Arrows indicate relative rotation.

FOR OTHER CONFIGURATIONS NOT SHOWN, CONTACT FACTORY.

TYPICAL MOUNTING POSITIONS (Examples shown for single-reduction models only)



- Indicates proper oil level.
- When mounting gearboxes in positions 2, 3, 4, 6 Double Input Seals are required.

Example: F715-15T-B5-G6

Mounting Positions - 700 - S700 - H700 Series

Standard assemblies are for Position 1. The design permits any types of assembly to be mounted in any position shown by the proper location of the vented oil filler, level and drain plugs, at the time of installation.

For other than Position 1, order standard and relocate vented oil filler, level and drain plugs.

For production orders Boston Gear will assemble units for the specified mounting position desired at no additional charge.

CAUTION

When ordering speed reducers pre-lubricated, the Mounting Position must be indicated to ensure proper oil level and seal configuration.



Recommended Lubricants & Capacities

The following table indicates the types and viscosity of lubricants suitable for reducers operating at various temperatures.

Lubrication and maintenance instructions are provided with each speed reducer. These instructions should be followed for best results. It is important that the correct types of oil be used since many oils are not suitable for the lubrication of gears. Various types of gearing require different types of lubricants.

The lubricant must remain free from oxidation and contamination by water or debris, since only a very thin film of oil stands between efficient operation and failure. To assure long service life, the reducer should be periodically drained (preferably while warm) and refilled to the proper level with a recommended gear oil.

Under normal environmental conditions oil changes are suggested after the initial 250 hours of operation and thereafter at regular intervals of 2500 hours or every 6 months.

Synthetic lubricants will allow extended lubrication intervals due to its increased resistance to thermal and oxidation degradation. It is suggested that the initial oil change be made at 1500 hours and, thereafter, at 5000 hour intervals.

During the initial period of operation, higher than normal operating temperatures may be seen. This is due to the initial break-in of the gear set. The temperature of Single Reduction Worm Gear Reducers may reach approximately 225°F.

Enclosed Worm Gear Reducers

Recommended Oil (or equivalent)	Viscosity Range SUS @ 100°F	Oil Type	ISO Viscosity Grade No.+
Klubersynth* UH1 6-460 Synthetic	1950/2500	PAG	460
Mobil SHC634 Synthetic	1950/2500	PAO	320/460

Ambient temperature range of -20F to +125F is suitable for standard configured products and ratings. Contact technical support for operating conditions beyond this range.

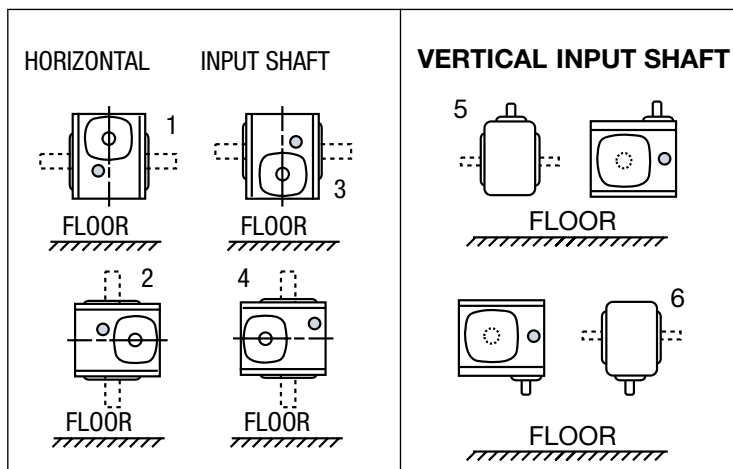
CAUTION: Relubricate more frequently if drive is operated in high ambient temperatures or unusually contaminated atmosphere. High loads and operating temperatures will also require the use of frequent lubrication.

- * Synthetic recommendation is Klubersynth UH1 6-460, other lubrications may reduce efficiency and torque capacity.
- + Other lubricants corresponding to AGMA/ISO numbers are available from all major oil companies. See Page 134 for lubricant interchange.
- ** The Klubersynth UH1 6-460 lubricant will perform at temperatures considerably higher than 225°F. However, the factory should always be consulted prior to operating at higher temperatures, as damage may occur to oil seals and other components.

WARNING: Different oil types should not be mixed. For example Klubersynth UH1 6-460 is not compatible with Mobil SHC634.

FOR SINGLE REDUCTION ONLY: REFER TO LUBRICATION AND INSTALLATION INSTRUCTIONS.

Oil Levels for Typical Mounting Positions (Examples shown for single-reduction models only)



- Indicates proper oil level.
- When mounting gearboxes in positions 2, 3, 4, 6 Double Input Seals are required.

Worm Gear Lubricant Available From Boston Gear

Type	Klubersynth UH1 6-460	Mobil SHC634
Size	Qt.	Qt.
Item Code	65159	51493

Available in quarts only

Oil capacity in fluid ounces for cast iron units*

Unit Size	Positions				
	1	2	3	4	5 & 6
710	2.2	3.3	3.3	3.3	3.3
713	5.5	7.0	7.0	7.0	7.0
715	10.0	15.0	15.0	13.5	13.5
718	12.0	16.0	18.5	16.0	16.0
721	15.0	20.5	20.5	19.0	19.0
724	18.0	24.5	28.5	24.5	24.5
726	28.0	36.0	43.0	36.0	36.0
730	43.0	60.0	66.0	58.0	58.0
732	58.0	84.0	90.0	80.0	80.0
738	85.0	120.0	130.0	120.0	107.0
752	204.0	240.0	245.0	240.0	215.0
760	330.0	400.0	415.0	400.0	370.0

*See page 56 for stainless steel units.

Quick Reference Model Selection Chart

Class I Service Single Reduction (1.0 Service Factor)

Reducer Ratio	Output RPM	Input Horsepower @ 1750 rpm													
		1/6	1/4	1/3	1/2	3/4	1	1-1/2	2	3	5	7-1/2	10	15	20
5	350	710	710	710	710	713	715	715	718	724	726	—	—	—	—
10	175	710	710	710	713	713	715	718	721	724	730	738	738F	752	752F
15	117	710	710	710	713	715	718	721	724	726	732F	738F	752	752F	760F
20	88	710	710	713	713	715	718	724	726	730	738	752	752	760F	—
25	70	713	713	713	715	718	721	724	726	732	—	—	—	—	—
30	58	710	713	713	715	721	721	726	730	732F	752	752F	760F	—	—
40	44	710	713	715	718	721	724	730	732	738F	752	760	—	—	—
50	35	710	713	713	721	724	726	730	732F	752	752F	760F	—	—	—
60	29	710	715	718	721	724	730	732	738F	752	752F	—	—	—	—

NOTE: This chart is meant only as a guide. For actual ratings, see Pages 20-33.

Class II Service Single Reduction (1.25 Service Factor)

Reducer Ratio	Output RPM	Input Horsepower @ 1750 rpm													
		1/6	1/4	1/3	1/2	3/4	1	1-1/2	2	3	5	7-1/2	10	15	20
5	350	710	710	710	710	713	715	718	718	724	730	—	—	—	—
10	175	710	710	710	713	715	718	721	724	726	732	738F	752	752F	760F
15	117	710	710	713	713	718	721	724	726	730	738	752	752	760	—
20	88	710	713	713	715	718	721	726	730	732	752	752F	760	—	—
25	70	713	713	713	718	721	724	726	730	732F	—	—	—	—	—
30	58	713	713	715	718	721	724	730	732	738F	752	760	—	—	—
40	44	713	713	715	721	724	726	732	732F	752	752F	760F	—	—	—
50	35	713	715	718	721	726	730	732F	738F	752	760F	—	—	—	—
60	29	713	718	721	724	730	732	738	752	752F	—	—	—	—	—

NOTE: This chart is meant only as a guide. For actual ratings, see Pages 20-33.

Class III Service Single Reduction (1.75 Service Factor)

Reducer Ratio	Output RPM	Input Horsepower @ 1750 rpm													
		1/6	1/4	1/3	1/2	3/4	1	1-1/2	2	3	5	7-1/2	10	15	20
5	350	710	710	710	713	715	718	721	721	726	—	—	—	—	—
10	175	710	710	713	715	718	721	724	726	730	738F	752	752F	—	—
15	117	710	713	713	718	721	724	726	730	732F	752	752F	760	—	—
20	88	713	713	715	718	721	724	730	732	738F	752	760	760F	—	—
25	70	713	715	718	721	724	726	730	732F	—	—	—	—	—	—
30	58	713	715	718	721	724	730	732	738	752	752F	—	—	—	—
40	44	713	718	721	724	726	732	732F	752	752F	760F	—	—	—	—
50	35	715	718	721	726	730	732F	738F	752	760	—	—	—	—	—
60	29	718	721	724	726	732	732F	752	752	—	—	—	—	—	—

NOTE: This chart is meant only as a guide. For actual ratings, see Pages 20-33.



700 Series Single Reduction Output RPM & Capacity Selection Tables

@ 1750 RPM Input

For Ratings at Other Speeds, See Tables on Pages 30-33

Output RPM	Ratio	Non-Flanged Reducers					Flanged Reducers (Gearmotor)											Bore Code	Motors* 230/460 VAC 3 Phase 60 Hz			
		Gear Capacity			Efficiency	Size	Ratings			Available Style†												
		Output Torque (lb.in.)	HP				Motor HP	Output Torque (lb.in.)	Service Class	L	OC	FAN	HF	SF	HQC	RF	SS					
			Input	Output																		
350	5	113	0.69	0.63	0.91	710-5	0.50	82	II										B5	FUTF		
							0.33	55	III												B4	AEUTF
							0.33	55	III												B5	EUTF
							0.25	41	III												B4	ADUTF
							0.25	41	III											B5	DUTF	
							0.17	27	III											B4	ACUT	
							0.17	27	III											B5	CUTF	
		235	1.39	1.31	0.94	713-5	1	169	II											B5	HUTF-5/8	
							0.75	127	III										B5	GUTF		
		291	1.72	1.62	0.94	715-5	1.5	254	I											B7	JUTF	
1	169						II										B5	HUTF-5/8				
0.75	127						III										B5	GUTF				
432	2.55	2.40	0.94	718-5	2	338	II											B7	KUTF			
					1.5	254	II										B7	JUTF				
620	3.66	3.44	0.94	721-5	2	338	II											B7	KUTF			
					1.5	254	III										B7	JUTF				
838	4.95	4.65	0.94	724-5	5	838	I											B9	MUTF			
					3	508	II										B9	LUTF				
1034	6.11	5.74	0.94	726-5	5	846	I											B9	MUTF			
					3	508	III										B9	LUTF				
1408	8.32	7.82	0.94	730-5	5	846	II											B9	MUTF			
					3	508	III										B9	LUTF				
1716	10.05	9.54	.95	732-5	10	1710	I											B11	PUTF			
					5	855	II										B9	MUTF				
2602	15.38	14.45	.95	738-5	10	1710	II											B11	PUTF			
					5	855	III										B9	MUTF				
250	7	644	2.80	2.56	0.91	721-7	2	460	II									B7	KUTF			
							1.5	345	III										B7	JUTF		
175	10	138	0.44	0.38	0.87	710-10	0.33	104	II										B4	AEUTF		
							0.33	104	II										B5	EUTF		
							0.25	78	III										B4	ADUTF		
							0.25	78	III										B5	DUTF		
		281	0.86	0.78	0.91	713-10	0.75	245	I											B5	GUTF	
							0.50	163	II										B5	FUTF		
							0.33	109	III										B5	EUTF		
		397	1.20	1.10	0.92	715-10	1	330	I											B5	HUTF-5/8	
							0.75	248	II										B5	GUTF		
							0.50	165	III										B5	FUTF		
536	1.61	1.49	0.92	718-10	1.5	499	I											B7	JUTF			
					1	333	II										B5	HUTF-5/8				
789	2.34	2.19	0.94	721-10	2	674	I											B7	KUTF			
					1.5	505	II										B7	JUTF				
						1	337	III									B5	HUTF-5/8				

* Totally Enclosed, Fan Cooled. For complete motor Catalog Numbers and additional motors, see Pages 337 and 342.

† Shaded areas denote which styles are available for a given center distance and ratio. See Pages 14-15 for style descriptions.

752 & 760 SIZES AVAILABLE ONLY IN RF-FLANGED COUPLING TYPES.

RATINGS SHOWN REFLECT THE USE OF KLUBERSYNTH UH1 6-460.

700 Series Single Reduction Output RPM & Capacity Selection Tables

@ 1750 RPM Input

For Ratings at Other Speeds, See Tables on Pages 30-33

Output RPM	Ratio	Non-Flanged Reducers					Flanged Reducers (Gearmotor)										Bore Code	Motors* 230/460 VAC 3 Phase 60 Hz			
		Gear Capacity			Efficiency	Size	Ratings			Available Styles†											
		Output Torque (lb.in.)	HP				Motor HP	Output Torque (lb.in.)	Service Class	F	QC	FAN	HF	SF	HQC	RF			SS		
			Input	Output																	
175	10	1069	3.18	2.97	0.93	724-10	3	1008	I									B9	LUT		
							2	672	II										B7	KUTF	
							1.5	504	III										B7	JUTF	
		1345	3.94	3.74	0.95	726-10	3	1024	II										B9	LUTF	
							2	683	III										B7	KUTF	
							1.5	512	III										B7	JUTF	
		1787	5.28	4.96	0.94	730-10	5	1692	I										B9	MUTF	
							3	1015	III										B9	LUTF	
							2	677	III										B7	KUTF	
		2106	6.22	5.85	0.94	732-10	5	1692	II										B9	MUTF	
							3	1015	III										B9	LUTF	
2532	7.75	7.03	0.91	732-10F	5	1633	II										B9	MUTF			
					3	980	III										B9	LUTF			
2834	8.37	7.87	0.94	738-10	7.5	2538	I											B11	NUTF		
					5	1692	II										B9	MUTF			
					3	1015	III										B9	LUTF			
3221	9.96	8.94	0.90	738-10F	10	3221	I											B11	PUTF		
					7.5	2425	II										B11	NUTF			
					5	1616	III										B9	LUTF			
5860	17.31	16.27	0.94	752-10	15	5076	I											B13	RUTF		
					10	3384	II										B11	PUTF			
					7.5	2538	III										B11	SUTF			
7182	21.63	19.94	0.92	752-10F	20	6640	I											B13	SUTF		
					15	4979	II										B13	RUTF			
					10	3319	III										B11	PUTF			
8067	23.83	22.4	0.94	760-10	20	6768	I											B13	SUTF		
					15	5076	II										B13	RUTF			
					10	3384	III										B11	PUTF			
8658	26.13	24.04	0.92	760-10F	20	6624	II										B13	SUTF			
					15	4968	III										B13	RUTF			
145.8	12	693	1.76	1.60	0.91	721-12	1.5	590	I									B7	JUTF		
							1	394	III										B7	HUTF	
		984	2.50	2.28	0.91	724-12	2	787	II										B7	KUTF	
							1.5	590	III										B5	JUTF	
116.7	15	146	0.33	0.27	0.82	710-15	0.33	146	I									B4	AEUTF		
							0.33	146	I										B5	EUTF	
							0.25	111	II										B4	ADUTF	
							0.25	111	II										B5	DUTF	
							0.17	74	III										B4	ACUTF	
							0.17	74	III										B5	CUTF	
		305	0.66	0.56	0.86	713-15	0.50	231	II										B5	FUTF	
							0.33	154	III										B5	EUTF	
		429	0.91	0.79	0.87	715-15	0.75	353	I											B5	GUTF
							0.50	235	II										B5	FUTF	
							0.33	157	III										B5	EUTF	

* Totally Enclosed, Fan Cooled. For complete motor Catalog Numbers and additional motors, see Pages 337 and 342.

† Shaded areas denote which styles are available for a given center distance and ratio. See Pages 14-15 for style descriptions.

752 & 760 SIZES AVAILABLE ONLY IN RF-FLANGED COUPLING TYPES.

RATINGS SHOWN REFLECT THE USE OF KLUBERSYNTH UH1 6-460.



700 Series Single Reduction Output RPM & Capacity Selection Tables

@ 1750 RPM Input

For Ratings at Other Speeds, See Tables on Pages 30-33

Output RPM	Ratio	Non-Flanged Reducers					Flanged Reducers (Gearmotor)											Bore Code	Motors* 230/460 VAC 3 Phase 60 Hz			
		Gear Capacity			Efficiency	Size	Ratings			Available Styles†												
		Output Torque (lb.in.)	HP				Motor HP	Output Torque (lb.in.)	Service Class	F	QC	FAN	HF	SF	HQC	RF	SS					
			Input	Output																		
116.7	15	552	1.13	1.02	0.90	718-15	1	489	I										B5	HUTF-5/8		
							0.75	367	II											B5	GUTF	
							0.50	244	III											B5	FUTF	
		841	1.72	1.56	0.90	721-15	1.5	733	I												B7	JUTF
							1	489	II											B7	HUTF	
							0.75	367	III											B5	GUTF	
		1159	2.34	2.15	0.92	724-15	2	990	I												B7	KUTF
							1.5	743	II											B7	JUTF	
							1	495	III											B7	HUTF	
		1466	2.95	2.71	0.92	726-15	3	1466	I												B9	LUTF
							2	994	II											B7	KUTF	
							1.5	745	III											B7	JUTF	
		1969	3.97	3.64	0.92	730-15	3	1487	II												B9	LUTF
							2	991	III											B7	KUTF	
2344	4.65	4.34	0.93	732-15	3	1511	II												B9	LUTF		
					2	1008	III											B7	KUTF			
2782	5.80	5.15	0.89	732-15F	5	2519	I												B9	MUTF		
					3	1511	III											B9	LUTF			
3155	6.28	5.84	0.93	738-15	5	2511	II												B9	MUTF		
					3	1507	III											B9	LUTF			
3543	7.47	6.56	0.88	738-15F	7.5	3556	I												B11	NUTF		
					5	2371	II											B9	MUTF			
					3	1422	III											B9	LUTF			
6618	13.06	12.25	0.94	752-15	10	5065	II												B11	PUTF		
					7.5	3799	II											B11	NUTF			
					5	2533	III											B9	MUTF			
7829	16.32	14.49	0.89	752-15F	15	7193	I												B13	RUTF		
					10	4795	II											B11	PUTF			
					7.5	3596	III											B11	NUTF			
9055	17.87	16.76	0.94	760-15	15	7598	I												B13	RUTF		
					10	5065	III											B11	PUTF			
10712	22.33	19.83	0.89	760-15F	20	9590	I												B13	SUTF		
					15	7193	II											B13	RUTF			
					10	4795	III											B11	PUTF			
87.5	20	149	0.27	0.21	0.77	710-20	0.25	138	I											B4	ADUTF	
							0.25	138	I											B5	DUTF	
							0.17	92	II											B4	ACUTF	
							0.17	92	II											B5	CUTF	
308	0.52	0.43	0.82	713-20	0.50	296	I												B5	FUTF		
					0.33	197	II											B5	EUTF			
					0.25	148	III											B5	DUTF			
435	0.72	0.60	0.84	715-20	0.75	435	I												B5	GUTF		
					0.50	302	II											B5	FUTF			
					0.33	201	III											B5	EUTF			
590	0.97	0.82	0.84	718-20	1	590	I												B5	HUTF-5/8		
					0.75	456	II											B5	GUTF			
					0.50	304	III											B5	FUTF			

* Totally Enclosed, Fan Cooled. For complete motor Catalog Numbers and additional motors, see Pages 337 and 342.

† Shaded areas denote which styles are available for a given center distance and ratio. See Pages 14-15 for style descriptions.

752 & 760 SIZES AVAILABLE ONLY IN RF-FLANGED COUPLING TYPES.

RATINGS SHOWN REFLECT THE USE OF KLUBERSYNTH UH1 6-460.

700 Series Single Reduction Output RPM & Capacity Selection Tables

@ 1750 RPM Input

For Ratings at Other Speeds, See Tables on Pages 30-33

Output RPM	Ratio	Non-Flanged Reducers					Flanged Reducers (Gearmotor)											Bore Code	Motors* 230/460 VAC 3 Phase 60 Hz		
		Gear Capacity			Efficiency	Size	Ratings			Available Styles†											
		Output Torque (lb.in.)	HP				Motor HP	Output Torque (lb.in.)	Service Class	F	QC	FAN	HF	SF	HQC	RF	SS				
			Input	Output																	
87.5	20	892	1.40	1.24	0.88	721-20	1 0.75	637 478	II III										B5 B5	HUTF-5/8 GUTF	
		1233	1.95	1.71	0.88	724-20	2 1.5 1	1233 948 632	I II III										B7 B7 B5	KUTF JUTF HUTF-5/8	
		1483	2.34	2.06	0.88	726-20	2 1.5 1	1267 950 634	I II III											B7 B7 B5	KUTF JUTF HUTF-5/8
		2024	3.14	2.81	0.89	730-20	3 2 1.5	1933 1289 967	I II III											B9 B7 B7	LUTF KUTF JUTF
		2413	3.71	3.35	0.90	732-20	3 2	1950 1300	II III											B9 B7	LUTF KUTF
		2858	4.63	3.97	0.86	732-20F	3 2	1851 1234	II III											B9 B7	LUTF KUTF
		3285	5.00	4.56	0.91	738-20	5 3 2	3283 1970 1313	I II III											B9 B9 B7	MUTF LUTF KUTF
		3707	5.95	5.15	0.86	738-20F	5 3	3114 1868	I III											B9 B9	MUTF LUTF
		6833	10.19	9.49	0.93	752-20	10 7.5 5	6703 5027 3352	I II III											B11 B11 B9	PUTF NUTF MUTF
		8075	12.74	11.21	0.88	752-20F	10 7.5 5	6336 4752 3168	II II III											B11 B11 B9	PUTF NUTF MUTF
		9412	14.02	13.07	0.93	760-20	10 7.5	6710 5033	II III											B11 B11	PUTF NUTF
		11080	17.52	15.38	0.88	760-20F	15 10	9482 6322	I III											B13 B11	RUTF PUTF
70	25	307	0.43	0.34	0.79	713-25	0.33 0.25 0.17	238 178 119	II II III										B5 B5 B5	EUTF DUTF CUTF	
		437	0.60	0.49	0.81	715-25	0.50 0.33 0.25	364 243 182	I II III										B5 B5 B5	FUTF EUTF DUTF	
		574	0.76	0.64	0.84	718-25	0.75 0.50 0.33	566 378 252	I II III										B5 B5 B5	GUTF FUTF EUTF	
		875	1.16	0.97	0.84	721-25	1 0.75 0.50	754 566 377	I II III											B5 B5 B5	HUTF-5/8 GUTF FUTF
		1199	1.55	1.33	0.86	724-25	1.5 1 0.75	1160 773 580	I II III											B7 B5 B5	JUTF HUTF-5/8 GUTF
		1514	1.94	1.68	0.87	726-25	2 1.5 1	1514 1170 780	I II III											B7 B7 B7	KUTF JUTF HUTF-5/8

* Totally Enclosed, Fan Cooled. For complete motor Catalog Numbers and additional motors, see Pages 337 and 342.

† Shaded areas denote which styles are available for a given center distance and ratio. See Pages 14-15 for style descriptions.

752 & 760 SIZES AVAILABLE ONLY IN RF-FLANGED COUPLING TYPES.

RATINGS SHOWN REFLECT THE USE OF KLUBERSYNTH UH1 6-460.



700 Series Single Reduction Output RPM & Capacity Selection Tables

@ 1750 RPM Input

For Ratings at Other Speeds, See Tables on Pages 30-33

Output RPM	Ratio	Non-Flanged Reducers					Flanged Reducers (Gearmotor)											Bore Code	Motors* 230/460 VAC 3 Phase 60 Hz		
		Gear Capacity			Efficiency	Size	Ratings			Available Styles†											
		Output Torque (lb.in.)	HP				Motor HP	Output Torque (lb.in.)	Service Class	F	QC	FAN	HF	SF	HQC	RF	SS				
			Input	Output																	
70	25	2051	2.61	2.28	0.87	730-25	2 1.5	1571 1179	II III										B7 B7	KUTF JUTF	
		2443	3.08	2.71	0.88	732-25	3 2 1.5	2379 1586 1189	I II III										B9 B7 B7	LUTF KUTF JUTF	
		2891	3.85	3.21	0.84	732-25F	3 2	2252 1501	II III											B9 B7	LUTF KUTF
58.3	30	150	0.20	0.14	0.69	710-30	0.17 0.17	125 125	I I										B4 B5	ACUT CUTF	
		311	0.39	0.29	0.74	713-30	0.33 0.25 0.17	265 199 133	I II III										B5 B5 B5	EUTF DUTF CUTF	
		445	0.54	0.41	0.76	715-30	0.50 0.33 0.25	411 274 206	I II III										B5 B5 B5	FUTF EUTF DUTF	
		573	0.65	0.53	0.82	718-30	0.50 0.33 0.25	441 294 220	II III III											B5 B5 B5	FUTF EUTF DUTF
		871	0.99	0.81	0.81	721-30	1 0.75 0.50	871 659 440	I II III											B5 B5 B5	HUTF-5/8 GUTF FUTF
		1200	1.33	1.11	0.83	724-30	1 0.75	902 676	II III											B5 B5	HUTF-5/8 GUTF
		1521	1.68	1.41	0.84	726-30	1.5 1 0.75	1358 905 679	I II III											B7 B5 B5	JUTF HUTF-5/8 GUTF
		2045	2.27	1.89	0.83	730-30	2 1.5 1	1801 1351 901	I II III											B7 B7 B5	KUTF JUTF HUTF-5/8
		2456	2.64	2.27	0.86	732-30	2 1.5	1860 1395	II III											B7 B7	KUTF JUTF
		2902	3.30	2.69	0.81	732-30F	3 2 1.5	2637 1758 1319	I II III											B9 B7 B7	LUTF KUTF JUTF
		3354	3.56	3.10	0.87	738-30	3 2	2825 1884	I III											B9 B7	LUTF KUTF
		3757	4.23	3.48	0.82	738-30F	3 2	2663 1776	II III											B9 B7	LUTF KUTF
		6964	7.30	6.45	0.88	752-30	5 3	4768 2861	II III											B9 B9	PUTF NUTF
		8336	9.12	7.72	0.85	752-30F	7.5 5	6853 4568	I III											B11 B9	NUTF MUTF
		9603	9.81	8.89	0.91	760-30	7.5 5	7339 4892	II III											B11 B9	NUTF MUTF
		11219	12.26	10.38	0.85	760-30F	10 7.5 5	9148 6861 4574	I II III											B11 B11 B9	PUTF NUTF MUTF

* Totally Enclosed, Fan Cooled. For complete motor Catalog Numbers and additional motors, see Pages 337 and 342.

† Shaded areas denote which styles are available for a given center distance and ratio. See Pages 14-15 for style descriptions.

752 & 760 SIZES AVAILABLE ONLY IN RF-FLANGED COUPLING TYPES.

RATINGS SHOWN REFLECT THE USE OF KLUBERSYNTH UH1 6-460.

700 Series Single Reduction Output RPM & Capacity Selection Tables

@ 1750 RPM Input

For Ratings at Other Speeds, See Tables on Pages 30-33

Output RPM	Ratio	Non-Flanged Reducers					Flanged Reducers (Gearmotor)											Bore Code	Motors* 230/460 VAC 3 Phase 60 Hz			
		Gear Capacity			Efficiency	Size	Ratings			Available Styles†												
		Output Torque (lb.in.)	HP				Motor HP	Output Torque (lb.in.)	Service Class	F	QC	FAN	HF	SF	HQC	RF	SS					
			Input	Output																		
43.8	40	151	0.17	0.10	0.62	710-40	0.17 0.17	148 148	I I										B4 B5	ACUT CUTF		
		307	0.31	0.21	0.69	713-40	0.25 0.17	248 165	II III										B5 B5	DUTF CUTF		
		442	0.43	0.31	0.71	715-40	0.33 0.25 0.17	342 257 171	II II III										B5 B5 B5	EUTF DUTF CUTF		
		609	0.57	0.42	0.74	718-40	0.50 0.33 0.25	534 356 267	I II III											B5 B5 B5	FUTF EUTF DUTF	
		876	0.81	0.61	0.75	721-40	0.75 0.50 0.33	811 541 360	I II III											B5 B5 B5	GUTF FUTF EUTF	
		1206	1.08	0.84	0.77	724-40	1 0.75 0.50	1116 837 558	I II III											B5 B5 B5	HUTF-5/8 GUTF FUTF	
		1512	1.33	1.05	0.79	726-40	1 0.75	1136 852	II III											B5 B5	HUTF-5/8 GUTF	
		2041	1.78	1.42	0.80	730-40	1.5 1 0.75	1719 1146 860	I II III											B7 B5 B5	JUTF HUTF-5/8 GUTF	
		2444	2.10	1.70	0.81	732-40	2 1.5 1	2327 1745 1164	I II III											B7 B7 B5	KUTF JUTF HUTF-5/8	
		2944	2.62	2.04	0.78	732-40F	2 1.5	2246 1685	II III											B7 B7	KUTF JUTF	
		3320	2.80	2.30	0.82	738-40	2 1.5	2370 1778	II III											B7 B7	KUTF JUTF	
		3747	3.33	2.60	0.78	738-40F	3 2	3374 2249	I II											B9 B7	LUTF KUTF	
		6889	5.60	4.78	0.85	752-40	5 3	6149 3689	I III											B9 B9	MUTF LUTF	
		8178	7.00	5.68	0.81	752-40F	5 3	5839 3504	II III											B9 B9	MUTF LUTF	
		9566	7.65	6.64	0.87	760-40	7.5 5	9374 6250	I II											B11 B9	NUTF MUTF	
		11197	9.56	7.77	0.81	760-40F	7.5 5	8780 5854	II III											B11 B9	NUTF MUTF	
		35	50	153	0.15	0.09	0.57	710-50	0.17 0.17	153 153	I I										B4 B5	ACUT CUTF
				297	0.25	0.17	0.66	713-50	0.25 0.17	297 198	I II										B5 B5	DUTF CUTF
429	0.35			0.24	0.68	715-50	0.33 0.25 0.17	409 306 204	I II III										B5 B5 B5	EUTF DUTF CUTF		
573	0.44			0.32	0.72	718-50	0.33 0.25	434 325	II III										B5 B5	EUTF DUTF		

* Totally Enclosed, Fan Cooled. For complete motor Catalog Numbers and additional motors, see Pages 337 and 342.

† Shaded areas denote which styles are available for a given center distance and ratio. See Pages 14-15 for style descriptions.

752 & 760 SIZES AVAILABLE ONLY IN RF-FLANGED COUPLING TYPES.

RATINGS SHOWN REFLECT THE USE OF KLUBERSYNTH UH1 6-460.



700 Series Single Reduction Output RPM & Capacity Selection Tables

@ 1750 RPM Input

For Ratings at Other Speeds, See Tables on Pages 30-33

A

Output RPM	Ratio	Non-Flanged Reducers					Flanged Reducers (Gearmotor)										Bore Code	Motors* 230/460 VAC 3 Phase 60 Hz				
		Gear Capacity			Efficiency	Size	Ratings			Available Styles†												
		Output Torque (lb.in.)	HP				Motor HP	Output Torque (lb.in.)	Service Class	F	QC	FAN	HF	SF	HQC	RF			SS			
			Input	Output																		
35	50	857	0.66	0.48	0.72	721-50	0.50 0.33	649 433	II III										B5 B5	FUTF EUTF		
		1177	0.87	0.65	0.75	724-50	0.75 0.50 0.33	1014 676 451	I II III										B5 B5 B5	GUTF FUTF EUTF		
		1484	1.08	0.82	0.76	726-50	1 0.75 0.50	1373 1030 687	I II III										B5 B5 B5	HUTF-5/8 GUTF FUTF		
		2016	1.45	1.12	0.77	730-50	1.5 1 0.75	2016 1390 1042	I II III											B7 B5 B5	JUTF HUTF-5/8 GUTF	
		2403	1.70	1.33	0.78	732-50	1.5 1 0.75	2120 1413 1060	I II III											B7 B5 B5	JUTF HUTF-5/8 GUTF	
		2791	2.12	1.55	0.73	732-50F	2 1.5 1	2632 1974 1316	I II III											B7 B7 B7	KUTF JUTF HUTF	
		3280	2.28	1.82	0.80	738-50	2 1.5 1	2876 2157 1438	I II III											B7 B7 B7	KUTF JUTF HUTF	
		3626	2.71	2.01	0.74	738-50F	2 1.5	2675 2006	II III											B9 B7	KUTF JUTF	
		6751	4.49	3.75	0.83	752-50	3	4509	II											B9	LUTF	
		7678	5.61	4.26	0.76	752-50F	5 3	6840 4104	I III											B9 B9	MUTF LUTF	
		9378	6.12	5.21	0.85	760-50	5 3	7659 4595	I III											B9 B9	MUTF LUTF	
		9836	7.65	5.46	0.71	760-50F	7.5 5 3	9639 6426 3856	I II III											B11 B9 B9	NUTF MUTF LUTF	
		29.2	60	144	0.12	0.07	0.55	710-60	0.17 0.17	144 144	I I										B4 B5	ACUT CUTF
				271	0.22	0.13	0.57	713-60	0.17	201	II										B5	CUTF
399	0.28			0.18	0.66	715-60	0.25 0.17	356 238	I II										B5 B5	DUTF EUTF		
527	0.35			0.24	0.70	718-60	0.33 0.25 0.17	502 376 251	I II III										B5 B5 B5	EUTF DUTF CUTF		
826	0.55			0.38	0.69	721-60	0.50 0.33 0.25	751 500 375	I II III										B5 B5 B5	FUTF EUTF DUTF		
1128	0.73			0.52	0.71	724-60	0.75 0.50 0.33	1128 772 515	I II III											B5 B5 B5	GUTF FUTF EUTF	

* Totally Enclosed, Fan Cooled. For complete motor Catalog Numbers and additional motors, see Pages 337 and 342.

† Shaded areas denote which styles are available for a given center distance and ratio. See Pages 14-15 for style descriptions.

752 & 760 SIZES AVAILABLE ONLY IN RF-FLANGED COUPLING TYPES.

RATINGS SHOWN REFLECT THE USE OF KLUBERSYNTH UH1 6-460.

700 Series Single Reduction Output RPM & Capacity Selection Tables

@ 1750 RPM Input

For Ratings at Other Speeds, See Tables on Pages 30-33

Output RPM	Ratio	Non-Flanged Reducers					Flanged Reducers (Gearmotor)										Bore Code	Motors* 230/460 VAC 3 Phase 60 Hz			
		Gear Capacity			Efficiency	Size	Ratings			Available Styles†											
		Output Torque (lb.in.)	HP				Motor HP	Output Torque (lb.in.)	Service Class	F	QC	FAN	HF	SF	HQC	RF			SS		
			Input	Output																	
29.2	60	1385	0.89	0.64	0.72	726-60	0.75 0.50	1166 778	I III										B5 B5	GUTF FUTF	
		1921	1.20	0.89	0.74	730-60	1 0.75 0.50	1601 1200 800	I II III										B5 B5 B5	HUTF-5/8 GUTF FUTF	
		2281	1.40	1.06	0.75	732-60	1.5 1 0.75	2281 1629 1221	I II III										B7 B7 B5	JUTF HUTF GUTF	
		2549	1.75	1.18	0.67	732-60F	1.5 1	2184 1446	I III											B7 B7	JUTF HUTF
		3128	1.88	1.45	0.77	738-60	1.5 1	2495 1633	II III											B7 B7	JUTF HUTF
		3277	2.24	1.52	0.68	738-60F	2 1.5	2925 2193	I II											B7 B7	KUTF JUTF
		6416	3.67	2.97	0.81	752-60	3	5242	I											B9	LUTF
		6953	4.59	3.22	0.70	752-60F	5 3	6953 4542	I II											B9 B9	MUTF LUTF
		8934	5.03	4.13	0.82	760-60	5 3	8878 5327	I II											B9 B9	MUTF LUTF
		9528	6.29	4.41	0.70	760-60F	5	7571	II											B9	MUTF
21.9	80	222	0.15	0.08	0.53	713-80	0.17	222	I										B5	CUTF	
		318	0.21	0.11	0.53	715-80	0.17	259	II										B5	CUTF	
		387	0.22	0.13	0.61	718-80	0.25 0.17	387 298	I II										B5 B5	DUFT CUTF	
		634	0.38	0.22	0.58	721-80	0.33 0.25	551 418	I II										B5 B5	EUTF DUTF	
		1069	0.57	0.37	0.65	726-80	0.5 0.33	936 623	I III											B5 B5	FUTF EUTF
		1795	0.95	0.62	0.65	732-80	1 0.75 0.5	1795 1404 936	I II III											B5 B5 B5	HUTF-5/8 GUTF FUTF
17.5	100	138	0.08	0.04	0.47	713-100	0.17	138	I										B5	CUTF	
		251	0.15	0.07	0.47	715-100	0.17	251	I										B5	CUTF	
		323	0.17	0.09	0.53	718-100	0.17	323	I										B5	CUTF	
		503	0.27	0.14	0.52	721-100	0.25 0.17	468 318	I II											B5 B5	DUFT CUTF
		757	0.39	0.21	0.54	726-100	0.33 0.25 0.17	642 486 330	I II III											B5 B5 B5	EUTF DUTF CUTF
		1414	0.65	0.39	0.6	732-100	0.5 0.33	1080 713	II III											B5 B5	FUTF EUTF

* Totally Enclosed, Fan Cooled. For complete motor Catalog Numbers and additional motors, see Pages 337 and 342.

† Shaded areas denote which styles are available for a given center distance and ratio. See Pages 14-15 for style descriptions.

752 & 760 SIZES AVAILABLE ONLY IN RF-FLANGED COUPLING TYPES.

RATINGS SHOWN REFLECT THE USE OF KLUBERSYNTH UH1 6-460.



700 Series Single Reduction Ratio & Capacity Selection Tables

Horsepower and Torque Capacities at Listed RPM Inputs (Service Factor 1.0)

A

Series Size			710			713			715			718		
Ratio	Input RPM	Output RPM	Input HP	Output		Input HP	Output		Input HP	Output		Input HP	Output	
				HP	Torque (lb-in)		HP	Torque (lb-in)		HP	Torque (lb-in)		HP	Torque (lb-in)
5	1750	350	0.69	0.63	113	1.39	1.31	235	1.72	1.62	291	2.55	2.40	432
	1150	230	0.40	0.36	98	0.84	0.73	200	1.15	1.04	285	1.42	1.28	350
	690	138	0.26	0.23	105	0.50	0.45	205	0.80	0.72	330	0.97	0.87	400
	100	20	0.044	0.036	115	0.091	0.076	240	0.14	0.12	370	0.17	0.14	460
10	1750	175	0.44	0.38	138	0.86	0.78	281	1.20	1.10	397	1.61	1.49	536
	1150	115	0.23	0.21	118	0.51	0.44	243	0.73	0.64	350	0.98	0.87	480
	690	69	0.16	0.14	128	0.33	0.29	266	0.47	0.42	384	0.66	0.58	534
	100	10	0.03	0.022	140	0.06	0.047	296	0.086	0.068	432	0.12	0.097	610
15	1750	116.7	0.33	0.27	146	0.66	0.58	305	0.91	0.79	428	1.13	1.02	552
	1150	77.7	0.17	0.15	125	0.37	0.32	262	0.53	0.46	376	0.67	0.57	472
	690	46	0.12	0.10	134	0.26	0.21	288	0.36	0.30	415	0.46	0.39	534
	100	6.7	0.023	0.016	147	0.049	0.034	322	0.07	0.05	468	0.086	0.063	597
20	1750	87.5	0.27	0.21	149	0.52	0.43	308	0.72	0.60	435	0.97	0.82	590
	1150	57.5	0.14	0.12	129	0.29	0.24	265	0.43	0.35	380	0.58	0.48	525
	690	34.5	0.091	0.074	136	0.19	0.16	286	0.28	0.23	420	0.38	0.32	580
	100	5.0	0.017	0.012	150	0.04	0.026	330	0.056	0.038	485	0.08	0.055	690
25	1750	70	—	—	—	0.43	0.34	307	0.60	0.49	437	0.76	0.64	574
	1150	46	—	—	—	0.24	0.19	260	0.35	0.27	375	0.48	0.36	500
	690	27.6	—	—	—	0.15	0.12	280	0.22	0.18	410	0.30	0.24	540
	100	4.0	—	—	—	0.031	0.02	310	0.043	0.028	451	0.063	0.042	660
30	1750	58.3	0.20	0.14	150	0.39	0.29	311	0.54	0.41	446	0.65	0.53	573
	1150	38.3	0.10	0.081	133	0.21	0.16	270	0.31	0.23	388	0.40	0.32	530
	690	23	0.068	0.051	140	0.14	0.11	300	0.20	0.17	460	0.29	0.22	600
	100	3.3	0.013	0.008	155	0.029	0.018	340	0.04	0.026	496	0.057	0.037	710
40	1750	43.8	0.17	0.10	151	0.31	0.21	307	0.43	0.31	441	0.57	0.42	609
	1150	28.8	0.081	0.059	129	0.18	0.12	265	0.24	0.17	380	0.33	0.24	525
	690	17.3	0.051	0.037	130	0.10	0.078	286	0.15	0.11	420	0.22	0.16	580
	100	2.5	0.011	0.006	150	0.025	0.013	330	0.036	0.019	485	0.052	0.027	690
50	1750	35	0.15	0.09	153	0.25	0.17	297	0.35	0.24	429	0.44	0.32	573
	1150	23	0.06	0.042	114	0.12	0.09	248	0.18	0.13	360	0.24	0.17	470
	690	13.8	0.041	0.029	130	0.083	0.058	265	0.12	0.085	390	0.17	0.12	520
	100	2.0	0.008	0.004	140	0.018	0.009	300	0.027	0.014	440	0.038	0.019	590
60	1750	29.2	0.12	0.07	144	0.22	0.13	271	0.28	0.18	399	0.35	0.24	527
	1150	19.2	0.065	0.032	105	0.171	0.093	201	0.164	0.095	312	0.21	0.13	440
	690	11.5	0.044	0.02	112	0.101	0.046	253	0.114	0.061	338	0.14	0.084	480
	100	1.7	0.008	0.003	121	0.021	0.007	285	0.022	0.009	371	0.03	0.014	530
80	1750	21.9	—	—	—	0.15	0.08	222	0.21	0.11	318	0.23	0.13	375
	1150	14.4	—	—	—	0.12	0.06	246	0.17	0.018	358	0.16	0.089	390
	690	8.6	—	—	—	0.09	0.04	266	0.12	0.15	392	0.10	0.048	350
	100	1.3	—	—	—	0.02	0.01	293	0.03	0.01	440	0.02	0.009	470
100	1750	17.5	—	—	—	0.08	0.04	138	0.15	0.07	251	0.17	0.09	323
	1150	11.5	—	—	—	0.07	0.028	152	0.12	0.05	283	0.14	0.07	360
	690	6.9	—	—	—	0.05	0.018	164	0.09	0.03	309	0.10	0.04	391
	100	1.0	—	—	—	0.01	0.003	180	0.02	0.01	347	0.020	0.01	435
Overhung Load*			150 LBS.			200 LBS.			300 LBS.			500 LBS.		
Output Shaft Thrust Load			200 LBS.			300 LBS.			400 LBS.			500 LBS.		

RATINGS SHOWN REFLECT MAXIMUM GEAR CAPACITY WITH KLUBERSYNTH UH1 6-460.

*Overhung Load is at centerline of output shaft projection and with NO THRUST Load.

Note: For input speeds above 1750 RPM. Do NOT exceed 1750 RPM input horsepower (See page 347).

700 Series Single Reduction Ratio & Capacity Selection Tables

Horsepower and Torque Capacities at Listed RPM Inputs (Service Factor 1.0)

Series Size			721			724			726			730		
Ratio	Input RPM	Output RPM	Input HP	Output		Input HP	Output		Input HP	Output		Input HP	Output	
				HP	Torque (lb-in)		HP	Torque (lb-in)		HP	Torque (lb-in)		HP	Torque (lb-in)
5	1750	350	3.66	3.44	620	4.94	4.65	838	6.11	5.74	1034	8.32	7.82	1408
	1150	230	2.33	2.10	575	3.05	2.74	750	4.05	3.64	1000	5.85	5.47	1500
	690	138	1.64	1.47	670	2.25	2.01	920	3.04	2.74	1250	5.25	4.83	2206
	100	20	0.30	0.26	820	0.43	0.38	1200	0.58	0.51	1600	1.06	0.91	2873
10	1750	175	2.34	2.19	789	3.18	2.97	1069	3.94	3.74	1345	5.28	4.96	1787
	1150	115	1.49	1.32	725	2.09	1.87	1025	2.82	2.54	1390	4.25	3.84	2107
	690	69	1.00	0.89	814	1.46	1.31	1200	1.97	1.75	1600	3.15	2.79	2548
	100	10	0.19	0.15	968	0.27	0.23	1430	0.37	0.31	1960	0.63	0.51	3234
15	1750	116.7	1.72	1.56	840	2.34	2.15	1159	2.95	2.71	1465	3.97	3.64	1969
	1150	77.7	1.06	0.91	752	1.51	1.29	1060	2.01	1.73	1425	3.41	2.95	2425
	690	46.0	0.72	0.61	832	1.05	0.90	1239	1.41	1.22	1675	2.55	2.14	2928
	100	6.7	0.13	0.10	968	0.19	0.15	1463	0.28	0.22	2057	0.51	0.38	3610
20	1750	87.5	1.40	1.24	892	1.95	1.71	1233	2.34	2.06	1483	3.14	2.81	2024
	1150	57.5	0.86	0.72	782	1.27	1.06	1160	1.63	1.36	1500	2.68	2.23	2470
	690	35.0	0.57	0.48	875	0.83	0.70	1280	1.11	0.94	1725	1.67	1.52	2739
	100	5.0	0.11	0.08	1018	0.17	0.12	1550	0.20	0.16	2050	0.41	0.38	3584
25	1750	70	1.16	0.97	875	1.55	1.33	1199	1.94	1.68	1514	2.61	2.28	2051
	1150	46	0.72	0.58	790	1.03	0.84	1150	1.31	1.11	1525	2.30	1.86	2560
	690	27.6	0.47	0.38	875	0.69	0.56	1280	0.93	0.77	1750	1.50	1.26	2830
	100	4.0	0.094	0.062	975	0.14	0.095	1500	0.18	0.13	2075	0.30	0.21	3400
30	1750	58.3	0.99	0.81	871	1.33	1.11	1200	1.68	1.41	1521	2.27	1.89	2045
	1150	38.3	0.62	0.48	795	0.89	0.70	1170	1.20	0.96	1575	1.99	1.53	2510
	690	23	0.41	0.32	880	0.60	0.47	1300	0.81	0.65	1790	1.51	1.09	3000
	100	3.3	0.086	0.055	1050	0.12	0.078	1500	0.16	0.11	2100	0.32	0.20	3702
40	1750	43.8	0.81	0.61	876	1.08	0.84	1206	1.33	1.05	1512	1.78	1.43	2041
	1150	28.8	0.49	0.36	785	0.70	0.53	1160	0.89	0.68	1500	1.46	1.14	2470
	690	17.3	0.33	0.24	875	0.46	0.35	1280	0.61	0.47	1725	0.99	0.78	2900
	100	2.5	0.074	0.04	1018	0.11	0.061	1550	0.14	0.081	2050	0.23	0.14	3600
50	1750	35	0.66	0.48	857	0.87	0.65	1177	1.08	0.82	1484	1.45	1.12	2016
	1150	23	0.38	0.27	750	0.56	0.40	1100	0.75	0.54	1482	1.20	0.87	2400
	690	13.8	0.26	0.18	840	0.37	0.26	1225	0.51	0.37	1675	0.87	0.61	2750
	100	2.0	0.057	0.031	970	0.084	0.045	1425	0.11	0.063	1975	0.19	0.10	3200
60	1750	29.2	0.55	0.38	826	0.73	0.52	1128	0.89	0.64	1385	1.20	0.89	1921
	1150	19.2	0.34	0.22	730	0.49	0.32	1040	0.64	0.42	1390	1.01	0.68	2285
	690	11.5	0.23	0.15	805	0.33	0.21	1154	0.44	0.29	1570	0.27	0.45	2580
	100	1.7	0.055	0.025	930	0.073	0.036	1330	0.10	0.05	1840	0.13	0.08	3080
80	1750	21.9	0.38	0.22	634	—	—	—	0.76	0.38	1100	—	—	—
	1150	14.4	0.31	0.17	734	—	—	—	0.47	0.29	1252	—	—	—
	690	8.6	0.23	0.11	819	—	—	—	0.35	0.18	1340	—	—	—
	100	1.3	0.05	0.02	942	—	—	—	0.07	0.03	1600	—	—	—
100	1750	17.5	0.27	0.14	503	—	—	—	0.39	0.21	757	—	—	—
	1150	11.5	0.22	0.11	580	—	—	—	0.34	0.17	913	—	—	—
	690	6.9	0.16	0.07	646	—	—	—	0.26	0.12	1054	—	—	—
	100	1.0	0.04	0.01	744	—	—	—	0.06	0.02	1267	—	—	—
Overhung Load*			700 LBS.			900 LBS.			1000 LBS.			1250 LBS.		
Output Shaft Thrust Load			700 LBS.			800 LBS.			900 LBS.			1000 LBS.		

RATINGS SHOWN REFLECT MAXIMUM GEAR CAPACITY WITH KLUBERSYNTH UH1 6-460.

*Overhung Load is at centerline of output shaft projection and with NO THRUST Load.

Note: For input speeds above 1750 RPM. Do NOT exceed 1750 RPM input horsepower (See page 347).



700 Series Single Reduction Ratio & Capacity Selection Tables

Horsepower and Torque Capacities at Listed RPM Inputs (Service Factor 1.0)

A

Series Size			732			732F			738			738F		
Ratio	Input RPM	Output RPM	Input HP	Output		Input HP	Output		Input HP	Output		Input HP	Output	
				HP	Torque (lb-in)		HP	Torque (lb-in)		HP	Torque (lb-in)		HP	Torque (lb-in)
5	1750	350	10.05	9.54	1716	—	—	—	—	—	—	—	—	—
	1150	230	8.43	7.91	2165	—	—	—	—	—	—	—	—	—
	690	138	6.53	6.02	2749	—	—	—	—	—	—	—	—	—
	100	20	1.38	1.19	3735	—	—	—	—	—	—	—	—	—
10	1750	175	6.22	5.85	2106	7.75	7.03	2532	8.37	7.87	2834	9.96	8.94	3221
	1150	115	4.41	3.92	2150	5.03	4.47	2450	6.19	5.56	3050	6.90	6.20	3400
	690	69	3.17	2.85	2600	3.40	3.06	2800	4.54	4.05	3700	4.79	4.27	3900
	100	10	0.62	0.52	3300	0.62	0.52	3300	0.87	0.47	4700	0.87	0.47	4700
15	1750	116.7	4.65	4.34	2344	5.80	5.15	2782	6.28	5.84	3154	7.47	6.56	3543
	1150	77.7	3.15	2.74	2250	3.63	3.16	2600	4.30	3.77	3100	4.99	4.38	3600
	690	46	2.35	2.04	2800	2.52	2.19	3000	3.25	2.85	3900	3.50	3.06	4200
	100	6.7	0.48	0.39	3700	0.48	0.39	3700	0.68	0.55	5200	0.68	0.55	5200
20	1750	87.5	3.71	3.35	2413	4.63	3.97	2858	5.00	4.56	3285	5.95	5.15	3707
	1150	57.5	2.77	2.37	2600	3.20	2.74	3000	4.10	3.56	3900	4.55	3.94	4325
	690	34.5	1.99	1.70	3100	2.15	1.83	3850	2.91	2.52	4600	3.10	2.68	4900
	100	5.0	0.41	0.30	3846	0.41	0.30	3846	0.61	0.46	5800	0.61	0.46	5800
25	1750	70	3.08	2.71	2443	3.85	3.21	2891	—	—	—	—	—	—
	1150	46	2.29	1.90	2600	2.65	2.19	3000	—	—	—	—	—	—
	690	27.6	1.51	1.27	2900	1.67	1.40	3200	—	—	—	—	—	—
	100	4.0	0.31	0.22	3500	0.31	0.22	3500	—	—	—	—	—	—
30	1750	58.3	2.64	2.27	2456	3.30	2.69	2902	3.56	3.10	3354	4.23	3.48	3757
	1150	38.3	2.8	2.23	2675	2.36	1.88	3100	2.87	2.37	3900	3.38	2.67	4400
	690	23	1.41	1.16	3200	1.55	1.28	3500	2.08	1.68	4600	2.22	1.79	4900
	100	3.3	0.30	0.21	4000	0.3	0.21	4000	0.42	0.29	5600	0.42	0.29	5600
40	1750	43.8	2.10	1.70	2444	2.62	2.04	2944	2.80	2.30	3320	3.33	2.60	3747
	1150	28.8	1.52	1.19	2600	1.75	1.37	3000	2.25	1.78	3900	2.49	1.98	4325
	690	17.3	1.08	0.85	3100	1.17	0.91	3350	1.58	1.25	4600	1.68	1.33	4900
	100	2.5	0.25	0.15	3846	0.25	0.15	3846	0.37	0.23	5800	0.37	0.23	5800
50	1750	35	1.70	1.33	2403	2.12	1.55	2791	2.28	1.82	3280	2.71	2.01	3626
	1150	23	1.21	0.89	2450	1.41	1.04	2850	1.67	1.24	3400	1.96	1.46	4000
	690	13.8	0.87	0.61	2800	0.95	0.67	3050	1.19	0.85	3900	1.28	0.92	4200
	100	2.0	0.19	0.10	3325	0.19	0.10	3325	0.25	0.14	4500	0.25	0.14	4500
60	1750	29.2	1.40	1.06	2281	1.75	1.18	2549	1.88	1.45	3128	2.24	1.52	3496
	1150	19.2	1.05	0.70	2300	1.23	0.82	2700	1.50	1.02	3350	1.72	1.17	3850
	690	11.5	0.71	0.48	2650	0.78	0.53	2900	1.02	0.69	3800	1.10	0.75	4100
	100	1.7	0.16	0.083	3100	0.16	0.083	3100	0.22	0.12	4400	0.22	0.12	4400
80	1750	21.9	0.95	0.62	1795	—	—	—	—	—	—	—	—	—
	1150	14.4	0.81	0.50	2171	—	—	—	—	—	—	—	—	—
	690	8.6	0.61	0.34	2512	—	—	—	—	—	—	—	—	—
	100	1.3	0.14	0.06	3030	—	—	—	—	—	—	—	—	—
100	1750	17.5	0.65	0.39	1414	—	—	—	—	—	—	—	—	—
	1150	11.5	0.56	0.31	1711	—	—	—	—	—	—	—	—	—
	690	6.9	0.43	0.22	1980	—	—	—	—	—	—	—	—	—
	100	1	0.10	0.04	2387	—	—	—	—	—	—	—	—	—
Overhung Load*			1300 LBS.			1300 LBS.			2000 LBS.			2000 LBS.		
Output Shaft Thrust Load			1100 LBS.			1100 LBS.			1300 LBS.			1300 LBS.		

RATINGS SHOWN REFLECT MAXIMUM GEAR CAPACITY WITH KLUBERSYNTH UH1 6-460.

*Overhung Load is at centerline of output shaft projection and with NO THRUST Load.

Note: For input speeds above 1750 RPM. Do NOT exceed 1750 RPM input horsepower (See page 347).

700 Series Single Reduction Ratio & Capacity Selection Tables

Horsepower and Torque Capacities at Listed RPM Inputs (Service Factor 1.0)

Series Size			752			752F			760			760F		
Ratio	Input RPM	Output RPM	Input HP	Output		Input HP	Output		Input HP	Output		Input HP	Output	
				HP	Torque (lb-in)		HP	Torque (lb-in)		HP	Torque (lb-in)		HP	Torque (lb-in)
10	1750	175	17.31	16.27	5860	21.63	19.94	7182	23.83	22.40	8067	26.13	24.04	8658
	1150	115	12.27	11.31	6200	14.25	13.14	7200	18.60	17.15	9400	20.78	19.16	10500
	690	69	9.58	8.54	7800	10.55	9.41	8600	14.87	13.41	12250	16.09	14.51	13250
	100	10	1.93	1.67	10500	1.93	1.67	10500	3.19	2.79	17600	3.19	2.79	17600
15	1750	116.7	13.06	12.25	6618	16.32	14.49	7829	17.87	16.76	9055	22.33	19.83	10712
	1150	77.7	9.14	8.15	6700	10.50	9.37	7700	12.56	11.20	9200	14.73	13.14	10800
	690	46	7.19	6.42	8800	7.74	6.92	9475	9.20	8.21	11250	10.76	9.61	13184
	100	6.7	1.56	1.26	11900	1.56	1.26	11900	2.18	1.81	17000	2.18	1.81	17000
20	1750	87.5	10.19	9.49	6830	12.74	11.21	8075	14.02	13.07	9412	17.52	15.38	11080
	1150	57.5	7.57	6.66	7300	8.70	7.66	8400	10.63	9.35	10250	11.93	10.49	11500
	690	34.5	5.59	4.93	9000	5.97	5.25	9600	7.83	6.89	12600	8.54	7.53	13750
	100	5.0	1.18	0.92	11585	1.18	0.92	11585	1.63	1.34	17000	1.63	1.34	17000
30	1750	58.3	7.30	6.45	6964	9.12	7.72	8336	9.81	8.89	9603	12.26	10.38	11219
	1150	38.3	5.50	4.68	7700	6.29	5.34	8800	7.50	6.38	10500	8.39	7.14	11750
	690	23	4.03	3.43	9400	4.38	3.72	10200	5.48	4.67	12800	5.91	5.04	13800
	100	3.3	0.93	0.64	12250	0.93	0.64	12250	1.24	0.92	17500	1.24	0.92	17500
40	1750	43.8	5.60	4.78	6889	7.00	5.68	8178	7.65	6.64	9566	9.56	7.77	11197
	1150	28.8	4.06	3.33	7300	4.68	3.84	8400	5.74	4.68	10250	6.44	5.25	11500
	690	17.3	3.01	2.46	9000	3.21	2.62	9600	4.21	3.44	12600	4.60	3.75	13750
	100	2.5	0.71	0.46	11585	0.71	0.46	11585	1.00	0.67	17000	1.00	0.67	17000
50	1750	35	4.49	3.75	6751	5.61	4.26	7678	6.12	5.21	9378	7.65	5.46	9836
	1150	23	3.34	2.48	6800	3.93	2.92	8000	4.68	3.58	9800	5.25	4.01	11000
	690	13.8	2.32	1.77	8100	2.52	1.93	8800	3.52	2.68	12250	3.80	2.90	13250
	100	2.0	0.46	0.28	9000	0.46	0.28	9000	0.80	0.51	16000	0.80	0.51	16000
60	1750	29.2	3.67	2.97	6416	4.59	3.22	6953	5.03	4.13	8934	6.29	4.41	9528
	1150	19.2	2.89	2.04	6700	3.33	2.34	7700	4.31	2.98	9800	4.84	3.35	11000
	690	11.5	2.07	1.46	8000	2.25	1.59	8700	3.22	2.23	12200	3.48	2.41	13200
	100	1.7	0.43	0.24	9000	0.43	0.24	9000	0.74	0.43	16000	0.74	0.43	16000
Overhung Load*			2200 LBS.			2200 LBS			2400 LBS.			2400 LBS.		
Output Shaft Thrust Load			1900 LBS.			1900 LBS.			2100 LBS.			2100 LBS.		

RATINGS SHOWN REFLECT MAXIMUM GEAR CAPACITY WITH KLUBERSYNTH UH1 6-460.

*Overhung Load is at centerline of output shaft projection and with NO THRUST Load.

Note: For input speeds above 1750 RPM. Do NOT exceed 1750 RPM input horsepower (See page 347).



700 Series Single Reduction Flanged Reducer Dimensions

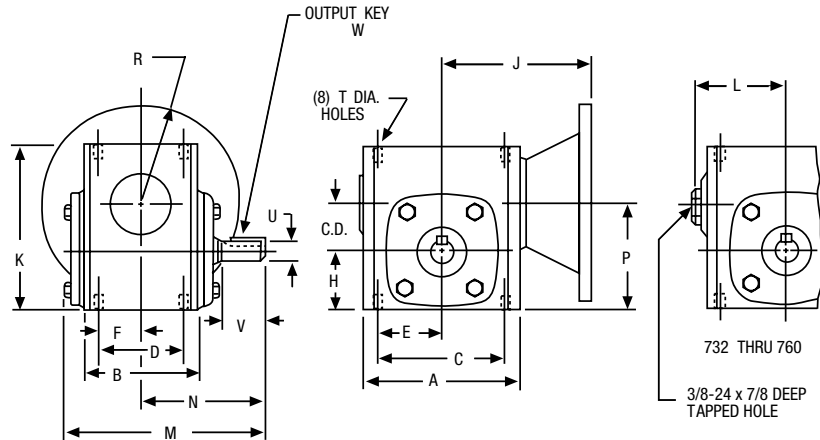
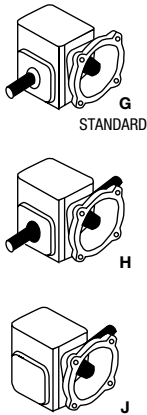
F700/QC700 Series Flanged Quill/Flanged Coupling Types

Basic Models (No Base)

FOR ORDERING INFORMATION, see Page 16

FOR RATING INFORMATION, See Pages 17, 22-33

ASSEMBLY TYPES*



ALL DIMENSIONS IN INCHES

Size	C.D.	A	B	C	D	E	F	H	J-NEMA Mounting ††						K	L	M
									F700		QC700		RF700				
									56C 140TC	180TC 210C	56C 140TC	180TC 210TC 250TC	56C	180TC 210TC 250TC			
710	1.00	3.25	2.50	2.63	1.69	1.31	0.84	1.31	3.97	—	5.01	—	5.72	—	3.63	—	4.53
713	1.33	4.25	2.88	3.25	2.00	1.63	1.00	1.72	3.94	—	5.46	—	6.59	—	4.64	—	6.03
715	1.54	5.13	3.69	4.19	2.75	2.09	1.38	1.91	4.50	—	6.11	—	7.34	—	5.38	—	6.84
718	1.75	5.50	3.69	4.19	2.75	2.09	1.38	2.06	4.69	—	6.29	—	7.53	—	5.75	—	6.81
721	2.06	6.00	3.81	5.00	2.88	2.50	1.44	2.28	5.06	—	6.76	—	8.31	—	6.38	—	7.28
724	2.38	6.38	4.06	5.00	2.88	2.50	1.44	2.50	5.25	5.69	6.95	7.81	8.50	9.94	6.94	—	7.81
726	2.62	7.38	4.44	6.38	3.38	3.19	1.69	2.94	5.75	6.19	7.39	8.31	9.47	10.44	8.00	—	8.53
730	3.00	8.12	5.25	7.00	4.00	3.50	2.00	3.25	6.20	6.64	7.84	8.77	9.92	10.88	8.88	—	10.02
732	3.25	9.00	5.88	7.50	4.00	3.75	2.00	3.50	6.56	7.00	8.20	9.13	10.28	11.25	9.38	4.94	10.81
738	3.75	10.00	6.38	8.50	4.75	4.25	2.38	3.88	7.06	7.50	8.70	10.28	11.81	12.88	10.44	5.50	11.88
752	5.16	13.13	7.38	11.00	5.81	5.50	2.91	5.31	—	—	—	—	—	16.00	13.75	7.19	13.81
760	6.00	14.50	8.13	12.75	6.38	6.38	3.19	6.50	—	—	—	—	—	16.69	16.50	7.94	15.31

Size	N	P	R-NEMA Mounting			T		Low Speed Shaft				Aprox. Weight (LBS.)		Fan Kit No.**
			42CZ	56C 140TC	180TC 210TC 250TC	TAP Size	Depth	U +.000 -.001	V	W-Key		F700	QC700	
										Sq.	Length			
710	2.88	2.31	2.16	3.31	—	1/4-20	.44	.500	1.19	1/8	5/8	6	8	—
713	4.00	3.06	—	3.31	—	5/16-18	.50	.625	2.00	3/16	1	12	15	—
715	4.31	3.44	—	3.31	—	5/16-18	.50	.750	1.78	3/16	1	18	24	—
718	4.31	3.81	—	3.31	—	5/16-18	.50	.875	1.78	3/16	1	20	27	—
721	4.69	4.34	—	3.31	—	3/8-16	.56	1.000	2.09	1/4	1-1/4	25	30	—
724	5.09	4.88	—	3.31	4.63	3/8-16	.56	1.125	2.38	1/4	1-1/4	31	36	—
726	5.63	5.56	—	3.31	4.63	3/8-16	.56	1.125	2.63	1/4	1-15/16	46	47	—
730	6.75	6.25	—	3.31	4.63	7/16-14	.88	1.250	3.25	1/4	2-1/4	66	72	—
732	7.06	6.75	—	3.31	4.63	7/16-14	.66	1.375	3.25	5/16	2-7/16	84	84	51450
738	7.75	7.63	—	3.31	4.63	1/2-13	.81	1.625	3.50	3/8	2-1/4	117	119	51451
752	9.06	10.50	—	—	4.63	5/8-11	1.00	2.000	4.16	1/2	2-15/16	—	221	51452
760	10.00	12.50	—	—	4.63	5/8-11	1.00	2.250	4.56	1/2	3-3/8	—	270	51453

*See Assemblies and Mounting Positions, Page 18.

**For Fan Kits, see Page 130.

For Base Kits, see Page 129.

†† 42CZ Flange Dimensions: F700 J = 3.16 : QC700 J = 4.15 : RF700 J = 4.76

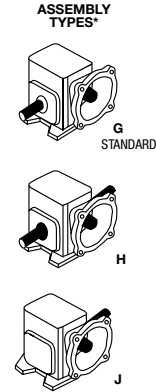
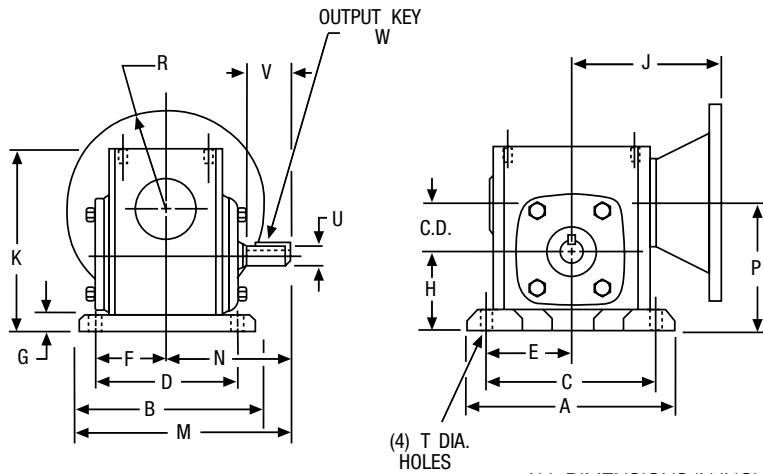
700 Series Single Reduction Flanged Reducer Dimensions

F700/QC700 Series Flanged Quill/Flanged Coupling Types

B Position Horizontal Base

FOR ORDERING INFORMATION, see Page 16

FOR RATING INFORMATION, See Pages 17, 22-33



Size	C.D.	A	B	C	D	E	F	G	H	J-NEMA Mounting ††						K	M
										F700		QC700		RF700			
										56C 140TC	180TC 210C	56C 140TC	180TC 210TC 250TC	56C	180TC 210TC 250TC		
710	1.00	4.63	3.69	3.75	2.88	1.88	1.44	0.44	1.75	3.97	—	5.01	—	5.72	—	4.06	4.72
713	1.33	5.38	4.19	4.38	3.31	2.19	1.66	0.53	2.25	3.94	—	5.46	—	6.59	—	5.19	6.09
715	1.54	6.44	5.44	5.25	4.31	2.63	2.16	0.59	2.50	4.50	—	6.11	—	7.34	—	5.97	7.03
718	1.75	7.00	5.69	5.75	4.50	2.88	2.25	0.69	2.75	4.69	—	6.29	—	7.53	—	6.44	7.16
721	2.06	7.75	5.94	6.38	4.69	3.19	2.34	0.72	3.00	5.06	—	6.76	—	8.31	—	7.09	7.66
724	2.38	8.50	6.19	7.06	4.88	3.53	2.44	0.75	3.25	5.25	5.69	6.95	7.81	8.50	9.94	7.69	8.19
726	2.62	9.63	6.66	8.00	5.25	4.00	2.63	0.75	3.69	5.75	6.19	7.39	8.31	9.47	10.44	8.75	8.97
730	3.00	10.00	7.50	8.44	5.88	4.22	2.94	0.75	4.00	6.20	6.64	7.84	8.77	9.92	10.88	9.63	10.50
732	3.25	11.19	7.66	9.50	6.13	4.75	3.06	0.88	4.38	6.56	7.00	8.20	9.13	10.28	11.25	10.25	10.94
738	3.75	12.13	8.66	10.38	7.00	5.19	3.50	0.94	4.81	7.06	7.50	8.70	10.28	11.81	12.88	11.38	12.09
752	5.16	16.38	10.63	14.13	8.38	7.06	4.19	1.13	6.44	—	—	—	—	—	16.00	14.88	14.38
760	6.00	19.00	12.00	16.50	9.50	8.25	4.75	1.25	7.75	—	—	—	—	—	16.69	17.75	16.00

Size	N	P	R-NEMA Mounting			T	Low Speed Shaft				Aprox. Weight (LBS.)		Base Kit No. †	Fan Kit No. **
			42CZ	56C 140TC	180TC 210TC 250TC		U +.000 -.001	V	W-Key		F700	QC700		
									Sq.	Length				
710	2.88	2.75	2.16	3.31	—	11/32	.500	1.19	1/8	5/8	7	8	56575	—
713	4.00	3.59	—	3.31	—	11/32	.625	2.00	3/16	1	13	16	56577	—
715	4.31	4.06	—	3.31	—	13/32	.750	1.78	3/16	1	19	25	56438	—
718	4.31	4.50	—	3.31	—	13/32	.875	1.78	3/16	1	21	28	56585	—
721	4.69	5.06	—	3.31	—	15/32	1.000	2.09	1/4	1-1/4	26	31	56440	—
724	5.09	5.63	—	3.31	4.63	15/32	1.125	2.38	1/4	1-1/4	32	37	56591	—
726	5.63	6.31	—	3.31	4.63	17/32	1.125	2.63	1/4	1-15/16	49	49	56595	—
730	6.75	7.00	—	3.31	4.63	17/32	1.250	3.25	1/4	2-1/4	71	72	65544	—
732	7.06	7.63	—	3.31	4.63	17/32	1.375	3.25	5/16	2-7/16	93	94	56599	51450
738	7.75	8.56	—	3.31	4.63	19/32	1.625	3.50	3/8	2-1/4	131	140	56603	51451
752	9.06	11.63	—	—	4.63	25/32	2.000	4.16	1/2	2-15/16	—	242	56607	51452
760	10.00	13.75	—	—	4.63	29/32	2.250	4.56	1/2	3-3/8	—	300	56610	51453

*See Assemblies and Mounting Positions, Page 18.

**For Fan Kits, see Page 130.

For Base Kits, see Page 129.

†† 42CZ Flange Dimensions: F700 J = 3.16 : QC700 J = 4.15 : RF700 J = 4.76

700 Series Single Reduction Flanged Reducer Dimensions

F700/QC700 Series Flanged Quill/Flanged Coupling Types

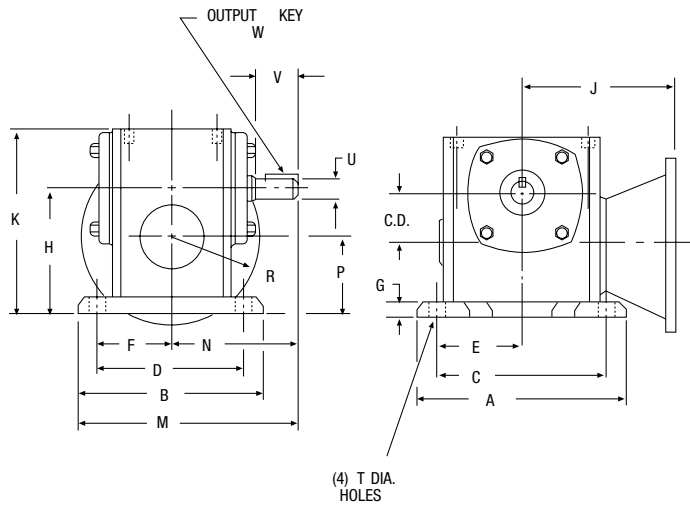
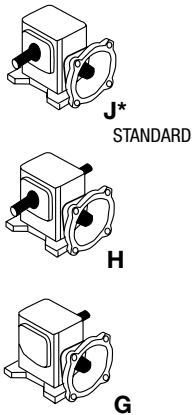
A Position Horizontal Base

FOR ORDERING INFORMATION, see Page 16

FOR RATING INFORMATION, See Pages 17, 22-33

A

ASSEMBLY TYPES*



All DIMENSIONS IN INCHES

NEMA Mounting	Input	
	Bore +.0015 -.0000	Keyway
42CZ	0.5	1/8 x 1/16
56C	0.625	3/16 x 3/32
140TC	0.875	3/16 x 3/32
180TC	1.125	1/4 x 1/8
210TC	1.375	5/16 x 5/32

All DIMENSIONS IN INCHES

Size	C.D.	A	B	C	D	E	F	G	H	J-NEMA Mounting ††						K	M
										F700		QC700		RF700			
										56C 140TC	180TC 210C	56C 140TC	180TC 210TC 250TC	56C	180TC 210TC 250TC		
710	1.00	4.62	3.69	3.75	2.88	1.88	1.44	0.44	2.75	3.97	—	5.01	—	5.72	—	4.06	4.72
713	1.33	5.38	4.19	4.38	3.31	2.19	1.66	0.53	3.47	3.94	—	5.46	—	6.59	—	5.19	6.09
715	1.54	6.44	5.44	5.25	4.31	2.63	2.16	0.59	4.06	4.50	—	6.11	—	7.34	—	5.97	7.03
718	1.75	7.00	5.69	5.75	4.50	2.88	2.25	0.69	4.38	4.69	—	6.29	—	7.53	—	6.44	7.16
721	2.06	7.75	5.94	6.37	4.69	3.19	2.34	0.72	4.81	5.06	—	6.76	—	8.31	—	7.09	7.66
724	2.37	8.50	6.19	7.06	4.88	3.53	2.44	0.75	5.19	5.25	5.69	6.95	7.81	8.50	9.94	7.69	8.19
726	2.62	9.63	6.66	8.00	5.25	4.00	2.62	0.75	5.81	5.75	6.19	7.39	8.31	9.47	10.44	8.75	8.97
730	3.00	10.00	7.50	8.44	5.88	4.22	2.94	0.75	6.38	6.20	6.64	7.84	8.77	9.92	10.88	9.63	10.50
732	3.25	11.19	7.66	9.50	6.12	4.75	3.06	0.88	6.75	6.56	7.00	8.20	9.13	10.28	11.25	10.25	10.89
738	3.75	12.13	8.66	10.37	7.00	5.19	3.50	0.94	7.50	7.06	7.50	8.70	10.28	11.81	12.88	11.38	12.09

Size	N	P	R					T Holes	Low Speed Shaft				Aprox. Wiegth (LBS.)		Base Kit No.†	Fan Kit No.**
			NEMA Mounting						U +.000/- .001	V	W-Key		F700	QC700		
			42CZ	56C	140TC	180TC	210TC				Sq.	Length				
710	2.88	1.75	2.16	3.31	—	—	—	11/32	.500	1.19	1/8	5/8	7	8	56575	—
713	4.00	2.13	—	3.31	—	—	—	11/32	.625	2.00	3/16	1	13	16	56577	—
715	4.31	2.50	—	3.31	3.31	—	—	13/32	.750	1.78	3/16	1	19	25	56438	—
718	4.31	2.63	—	3.31	3.31	—	—	13/32	.875	1.78	3/16	1	21	28	56585	—
721	4.69	2.75	—	3.31	3.31	—	—	15/32	1.000	2.09	1/4	1-1/4	26	31	56440	—
724	5.09	2.81	—	3.31	3.31	4.63	—	15/32	1.125	2.37	1/4	1-1/4	32	37	56591	—
726	5.62	3.19	—	3.31	3.31	4.63	—	17/32	1.125	2.62	1/4	1-15/16	49	49	56595	—
730	6.75	3.38	—	3.31	3.31	4.63	—	17/32	1.250	3.25	1/4	2-1/4	71	72	65544	—
732	7.06	3.50	—	3.31	3.31	4.63	—	17/32	1.375	3.25	5/16	2-7/16	93	94	56599	51450
738	7.75	3.75	—	—	3.31	4.63	4.63	19/32	1.625	3.50	3/8	2-1/4	131	140	56603	51451

* See Assemblies and Mounting Positions, Page 18.

** For Fan Kits, see Page 130.

For Base Kits, see Page 129.

†† 42CZ Flange Dimensions: F700 J = 3.16 : QC700 J = 4.15 : RF700 J = 4.76

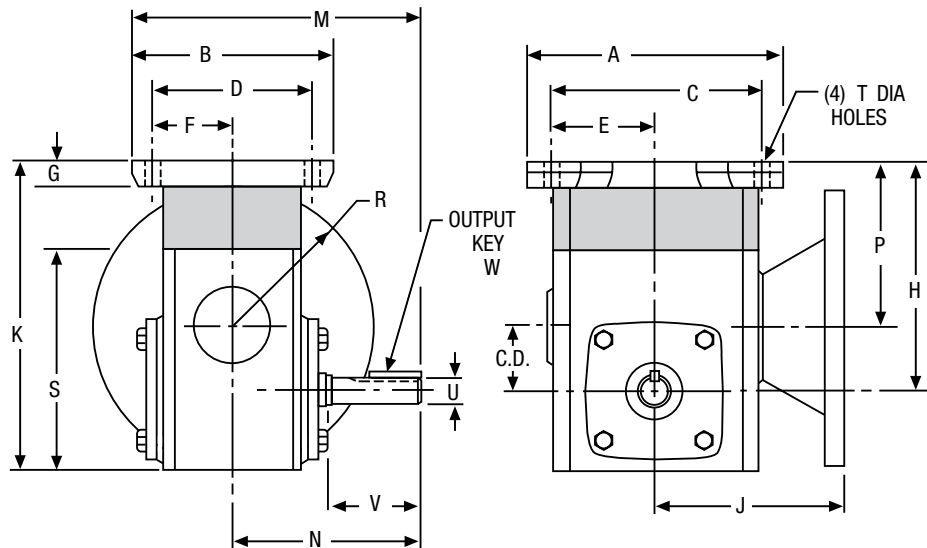
700 Series Single Reduction Flanged Reducer Dimensions

F700/QC700 Series Flanged Quill/Flanged Coupling Types

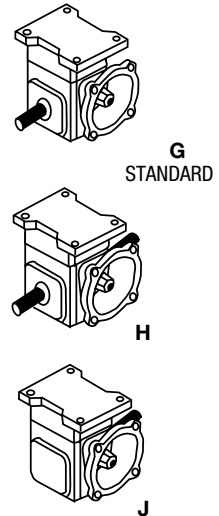
BRB Position Horizontal Base with Riser Block

FOR ORDERING INFORMATION, see Page 16

FOR RATING INFORMATION, See Pages 17, 22-33



ASSEMBLY TYPES*



A

Size	C.D.	A	B	C	D	E	F	G	H			J-NEMA Mounting ††						K								
									NEMA Mounting			F700		QC700		RF700		42CZ	56C 140TC	180TC 210C	56C 140TC	180TC 210C	56C 250TC	42CZ	56C 140TC	180TC 210C
									42CZ	56C 140TC	180TC 210C	56C 140TC	180TC 210C	56C 140TC	180TC 210C	56C 250TC										
710	1.00	4.63	3.69	3.75	2.88	1.88	1.44	.44	3.94	5.13	—	3.97	—	5.01	—	5.72	—	5.25	6.44	—						
713	1.33	5.38	4.19	4.38	3.31	2.19	1.66	.53	—	5.47	—	3.94	—	5.46	—	6.59	—	—	7.19	—						
715	1.54	6.44	5.44	5.25	4.31	2.63	2.16	.59	—	5.66	—	4.50	—	6.11	—	7.34	—	—	7.57	—						
718	1.75	7.00	5.69	5.75	4.50	2.88	2.25	.69	—	6.06	—	4.69	—	6.29	—	7.53	—	—	8.13	—						
721	2.06	7.75	5.94	6.38	4.69	3.19	2.34	.72	—	6.34	—	5.06	—	6.76	—	8.31	—	—	8.63	—						
724	2.38	8.50	6.19	7.06	4.88	3.53	2.44	.75	—	6.69	8.19	5.25	5.69	6.95	7.81	8.50	9.94	—	9.19	10.69						
726	2.62	9.63	6.66	8.00	5.25	4.00	2.63	.75	—	7.06	8.33	5.75	6.19	7.39	8.31	9.47	10.44	—	10.00	11.27						
730	3.00	10.00	7.5	8.44	5.88	4.22	2.94	.75	—	7.44	8.51	6.20	6.64	7.84	8.77	9.92	10.88	—	10.69	11.76						
732	3.25	11.19	7.66	9.5	6.13	4.75	3.06	.88	—	7.94	9.13	6.56	7.00	8.20	9.13	10.28	11.25	—	11.44	12.63						

Size	M	N	P			R			S	T	Low Speed Shaft				Aprox. Weight (LBS.)		Base Kit No. †	Fan Kit No. **
			NEMA Mounting			NEMA Mounting					U +.000 - .001	V	W-Key		F	QC		
			42CZ	56C 140TC	180TC 210C	42CZ	56C 140TC	180TC 210C					Sq.	Length				
710	4.72	2.88	2.94	4.13	—	1.69	3.31	—	3.62	11/32	.500	1.19	1/8	5/8	7	8	56575	—
713	6.09	4.00	—	4.13	—	—	3.31	—	4.66	11/32	.625	2.00	3/16	1	13	16	56577	—
715	7.03	4.31	—	4.10	—	—	3.31	—	5.38	13/32	.750	1.78	3/16	1	19	24	56438	—
718	7.16	4.31	—	4.32	—	—	3.31	—	5.75	13/32	.875	1.78	3/16	1	21	27	56585	—
721	7.66	4.69	—	4.29	—	—	3.31	—	6.38	15/32	1.000	2.09	1/4	1 1/4	26	31	56440	—
724	8.19	5.09	—	4.31	5.81	—	3.31	4.63	6.94	15/32	1.125	2.38	1/4	1 1/4	32	37	56591	—
726	8.97	5.63	—	4.45	5.71	—	3.31	4.63	8.00	17/32	1.125	2.63	1/4	1 15/16	49	49	56595	—
730	10.50	6.75	—	4.44	5.51	—	3.31	4.63	8.88	17/32	1.250	3.25	1/4	2-1/4	71	72	65544	—
732	10.94	7.06	—	4.69	5.88	—	3.31	4.63	9.38	17/32	1.375	3.25	5/16	2 7/16	93	94	56599	51450

* See Assemblies and Mounting Positions, Page 18.

** For Fan Kits, see Page 130.

For Base Kits, see Page 129.

†† 42CZ Flange Dimensions: F700 J = 3.16 : QC700 J = 4.15 : RF700 J = 4.76

700 Series Single Reduction Flanged Reducer Dimensions

F700/QC700 Series Flanged Quill/Flanged Coupling Types

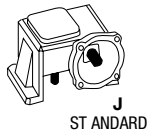
C/D Position Vertical Base; C/E High Base; D/F Low Base

FOR ORDERING INFORMATION, see Page 16

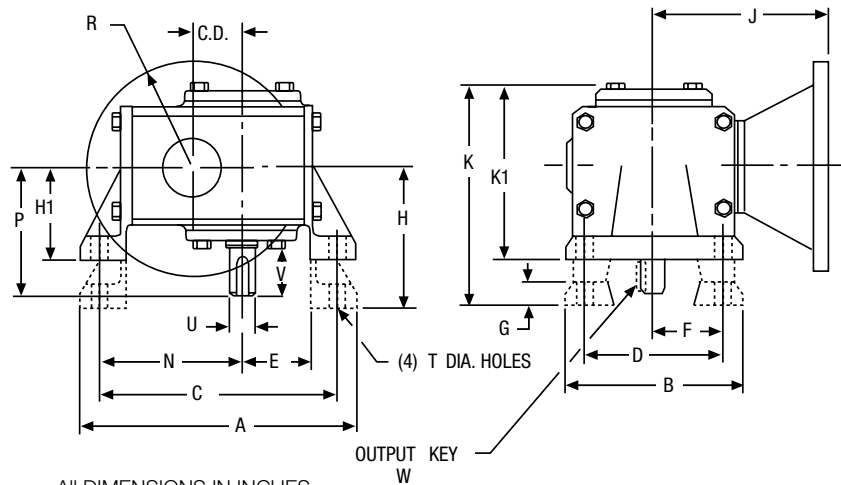
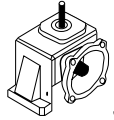
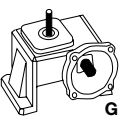
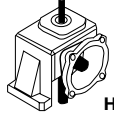
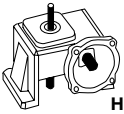
FOR RATING INFORMATION, See Pages 17, 22-33

ASSEMBLY TYPES*

C/D BASES



E/F BASES



ALL DIMENSIONS IN INCHES

Size	C.D.	A	B	C	D	E	F	G	H	H1	J-NEMA Mounting ††						K	K1
											F700		QC700		RF700			
											56C 140TC	180TC 210C	56C 140TC	180TC 210TC 250TC	56C	180TC 210TC		
710	1.00	6.06	3.22	5.13	2.31	1.38	1.16	0.44	2.94	—	3.97	—	5.01	—	5.72	—	4.59	—
713	1.33	7.09	4.13	6.16	3.25	1.78	1.63	0.53	3.56	2.31	3.94	—	5.46	—	6.59	—	5.59	4.34
715	1.54	8.03	5.16	6.97	4.00	1.97	2.00	0.69	4.38	3.00	4.50	—	6.11	—	7.34	—	6.91	5.53
718	1.75	8.44	5.16	7.38	4.00	2.13	2.00	0.69	4.38	3.00	4.69	—	6.29	—	7.53	—	6.88	5.50
721	2.06	9.50	6.03	8.38	4.88	2.34	2.44	0.72	4.88	3.13	5.06	—	6.76	—	8.31	—	7.50	5.75
724	2.38	10.06	6.31	8.94	4.88	2.56	2.44	0.75	5.25	3.38	5.25	5.69	6.95	7.81	8.50	9.94	7.97	6.09
726	2.62	11.69	7.38	10.13	5.75	3.00	2.88	0.88	5.59	3.63	5.75	6.19	7.39	8.31	9.47	10.44	8.50	6.53
730	3.00	12.50	8.00	11.13	6.00	3.34	3.00	0.94	5.88	3.94	6.20	6.64	7.84	8.77	9.92	10.88	9.13	7.20
732	3.25	13.38	9.00	11.88	6.13	3.56	3.06	0.88	6.25	4.69	6.56	7.00	8.20	9.13	10.28	11.25	10.00	8.56
738	3.75	15.69	10.00	13.94	8.00	4.00	4.00	0.94	7.00	5.25	7.06	7.50	8.70	10.28	11.81	12.88	11.12	9.38
752	5.16	20.50	13.13	18.00	10.00	5.44	5.00	1.13	8.63	6.38	—	—	—	—	—	16.00	13.38	11.13
760	6.00	23.25	14.75	20.88	11.75	6.63	5.88	1.13	9.63	7.31	—	—	—	—	—	16.69	14.94	12.63

Size	N	P	R				Low Speed Shaft				High Base			Low Base			Fan Kit No.**
			NEMA Mounting			T Holes	U +.000 -.001	V	W-KEY		Approx. Weight (LBS.)	Base Kit No. †	Approx. Weight (LBS.)		Base Kit No. †		
			42CZ	180TC 56C 140TC	210TC 250TC				Sq.	Length			F	QC		F	
710	3.06	2.88	2.16	3.31	—	11/32	.500	1.19	1/8	5/8	7	10	56576	—	—	—	—
713	3.69	4.00	—	3.31	—	11/32	.625	2.00	3/16	1	13	19	56578	12	16	56579	—
715	4.25	4.31	—	3.31	—	13/32	.750	1.78	3/16	1	22	27	56582	21	26	56583	—
718	4.50	4.31	—	3.31	—	13/32	.875	1.78	3/16	1	24	30	56582	23	29	56583	—
721	5.09	4.69	—	3.31	—	15/32	1.000	2.09	1/4	1-1/4	29	35	56588	28	32	56589	—
724	5.44	5.09	—	3.31	4.63	15/32	1.125	2.38	1/4	1-1/4	39	44	56592	38	40	56593	—
726	6.13	5.63	—	3.31	4.63	17/32	1.125	2.63	1/4	1-15/16	59	57	56596	51	53	56597	—
730	6.75	6.75	—	3.31	4.63	17/32	1.250	3.25	1/4	2-1/4	77	79	65545	73	76	65546	—
732	7.13	7.06	—	3.31	4.63	17/32	1.375	3.25	5/16	2-7/16	95	98	56600	90	93	56601	51450
738	8.31	7.75	—	3.31	4.63	19/32	1.625	3.50	3/8	2-1/4	153	147	56604	143	136	56605	51451
752	10.56	9.06	—	—	4.63	29/32	2.000	4.16	1/2	2-15/16	—	267††	56608	—	255	56609	51452
760	12.19	10.00	—	—	4.63	29/32	2.250	4.56	1/2	3-3/8	—	345††	56611	—	325	56612	51453

* See Assemblies and Mounting Positions, Page 18. ** For Fan Kits, see Page 130.

† For Base Kits, see Page 129.

†† 42CZ Flange Dimensions: F700 J = 3.16 : QC700 J = 4.15 : RF700 J = 4.76

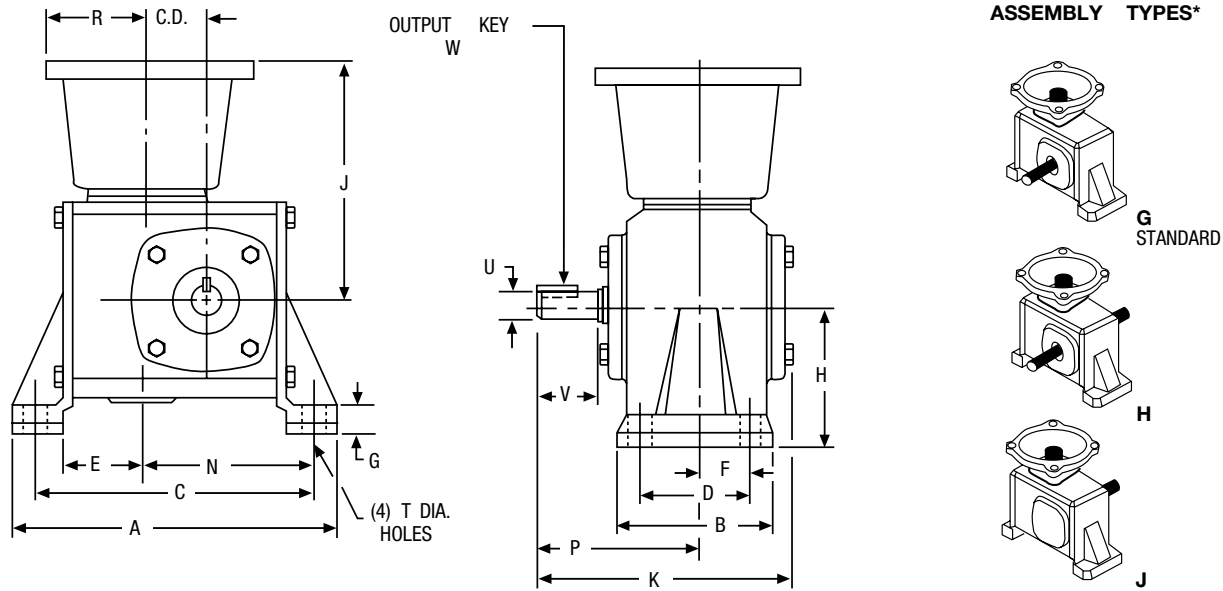
700 Series Single Reduction Flanged Reducer Dimensions

F700/QC700 Series Flanged Quill/Flanged Coupling Types

X Position Vertical Base; X = Input Vertical Up

FOR ORDERING INFORMATION, see Page 16

FOR RATING INFORMATION, See Pages 17, 22-33



ALL DIMENSIONS IN INCHES

Size	C.D.	A	B	C	D	E	F	G	H	J-NEMA Mounting ††						K	N
										F700		QC700		RF700			
										56C 140TC	180TC 210C	56C 140TC	180TC 210TC	56C	180TC 210TC 250TC		
713	1.33	7.28	2.91	6.41	2.00	1.70	1.00	0.53	2.94	3.94	—	5.46	—	6.59	—	6.03	3.92
715	1.54	8.25	3.72	7.25	2.50	2.00	1.25	0.69	3.50	4.50	—	6.11	—	7.34	—	6.84	4.37
718	1.75	8.62	3.72	7.63	2.50	2.00	1.25	0.69	3.50	4.69	—	6.29	—	7.53	—	6.81	4.75
721	2.06	9.75	3.84	8.63	2.63	2.09	1.31	0.72	3.94	5.06	—	6.76	—	8.31	—	7.28	5.47
724	2.37	10.31	4.13	9.19	2.88	2.13	1.44	0.75	4.06	5.25	5.69	6.95	7.81	8.50	9.94	7.81	6.00
726	2.62	11.88	4.53	10.38	3.13	2.50	1.56	0.88	4.75	5.75	6.19	7.39	8.31	9.47	10.44	8.53	6.75

Size	P	R-NEMA Mounting		T Holes	Low Speed Shaft				Approximate Weight (LBS.)		Base Kit No.†
		56C 140TC	180TC		U +.000 -.001	V	W-Key		F	QC	
							Sq.	Length			
713	4.00	3.31	—	11/32	.625	2.00	3/16	1	13	13	55196
715	4.31	3.31	—	13/32	.750	1.78	3/16	1	21	24	55349
718	4.30	3.31	—	13/32	.875	1.78	3/16	1	22	27	55349
721	4.69	3.31	—	15/32	1.000	2.09	1/4	1-1/4	28	30	55644
724	5.09	3.31	4.63	15/32	1.125	2.38	1/4	1-1/4	37	37	55678
726	5.63	3.31	4.63	17/32	1.125	2.63	1/4	1-1/4	54	55	55769

* Assemblies define output (slow speed) shaft projection with respect to input (high speed) shaft and mounted surfaces. Input may be rotated clockwise or counterclockwise. See Assemblies and Mounting Positions, Page 18.

† For Base Kits, see Page 129.

†† 42CZ Flange Dimensions: F700 J = 3.16 : QC700 J = 4.15 : RF700 J = 4.76

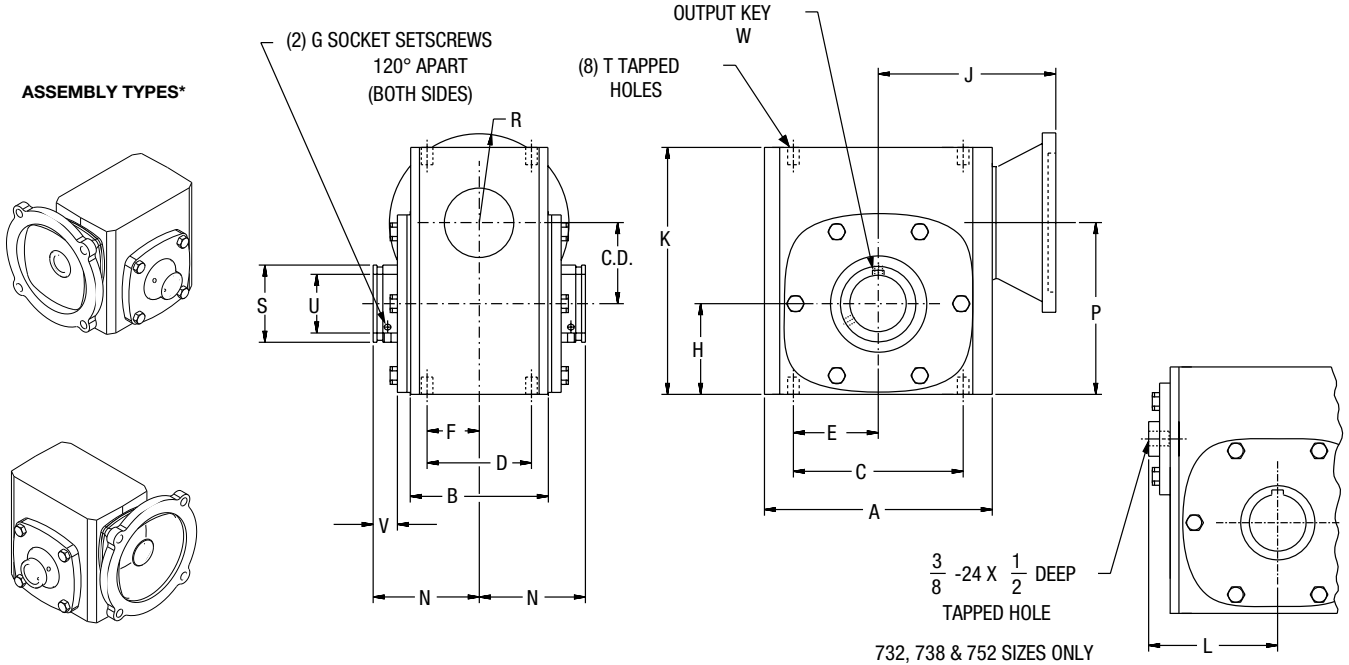
700 Series Single Reduction Flanged Reducer Dimensions

HF700/HQC700 Series Flanged Quill/Flanged Coupling Types

Basic Models (No Base); Bored to Size, Hollow Output Shaft

FOR ORDERING INFORMATION, see Page 16

FOR RATING INFORMATION, See Pages 17, 22-33



ALL DIMENSIONS IN INCHES

Size	C.D.	A	B	C	D	E	F	G	H	J-NEMA Mounting ††						K	L	N
										F700		QC700		RF700				
										56C 140TC	180TC 210C	56C 140TC	180TC 210TC 250TC	56C	180TC 210TC 250TC			
713	1.33	4.25	2.88	3.25	2.00	1.63	1.00	#10-32	1.72	3.97	—	5.46	—	6.59	—	4.66	—	2.50
715	1.54	5.13	3.69	4.19	2.75	2.09	1.38	#10-32	1.91	4.50	—	6.11	—	7.34	—	5.38	—	3.03
718	1.75	5.50	3.69	4.19	2.75	2.09	1.38	#10-32	2.06	4.69	—	6.29	—	7.53	—	5.75	—	3.03
721	2.06	6.00	3.81	5.00	2.88	2.50	1.44	1/4-28	2.28	5.06	—	6.76	—	8.31	—	6.38	—	3.22
724	2.38	6.38	4.06	5.00	2.88	2.50	1.44	1/4-28	2.50	5.25	5.69	6.95	7.81	8.50	9.94	6.94	—	3.22
726	2.62	7.38	4.44	6.38	3.38	3.19	1.69	5/16-24	2.94	5.75	6.19	7.39	8.31	9.47	10.44	8.00	—	3.44
730	3.00	8.12	5.25	7.00	4.00	3.50	2.00	5/16-24	3.25	6.20	6.64	7.84	8.77	9.92	10.88	8.88	—	4.19
732	3.25	9.00	5.88	7.50	4.00	3.75	2.00	5/16-24	3.50	6.56	7.00	8.20	9.13	10.28	11.25	9.38	4.94	4.31
738	3.75	10.00	6.38	8.50	4.75	4.25	2.38	3/8-24	3.88	7.06	7.50	8.70	10.28	11.81	12.88	10.44	5.50	4.81
752	5.16	13.13	7.38	11.0	5.81	5.50	2.91	3/8-24	5.31	—	—	—	—	—	16.00	13.75	7.19	6.12

Size	P	R-NEMA Mounting		S	T		Low Speed Shaft				Approx. Weight(LBS.)		Fan Kit No.**
		56C 140TC	180TC 210C		Tap Size	Depth	Max U +.0015/- .0000	V	W-Key		HF	HQC	
		Size	Length										
713	3.06	3.31	—	.88	5/16-18	.50	.625	.68			7	9	—
715	3.44	3.31	—	1.38	5/16-18	.50	1.000	.84			21	21	—
718	3.81	3.31	—	1.38	5/16-18	.50	1.000	.74			23	24	—
721	4.34	3.31	—	2.00	3/8-16	.56	1.4375	.87			27	27	—
724	4.88	3.31	4.63	2.00	3/8-16	.56	1.4375	.75			36	40	—
726	5.56	3.31	4.63	2.50	3/8-16	.56	1.9375	.78			49	49	—
730	6.25	3.31	4.63	2.88	7/16-14	.88	2.1875	1.10			70	74	—
732	6.75	3.31	4.63	2.88	7/16-14	.66	2.1875	.93			90	102	51450
738	7.63	3.31	4.63	3.25	1/2-13	.75	2.4375	1.11			130	141	51451
752	10.50	—	4.63	4.25	5/8-11	1.00	3.4375	1.37			—	242	51457

* See Assemblies and Mounting Positions, Page 18. ** For Fan Kits, see Page 130. See Page 128 for available bore sizes.

Input may be rotated clockwise or counterclockwise. The "SF" style is recommended for direct replacement only.

†† 42CZ Flange Dimensions: F700 J = 3.16 : QC700 J = 4.15 : RF700 J = 4.76

700 Series Single Reduction Flanged Reducer Dimensions

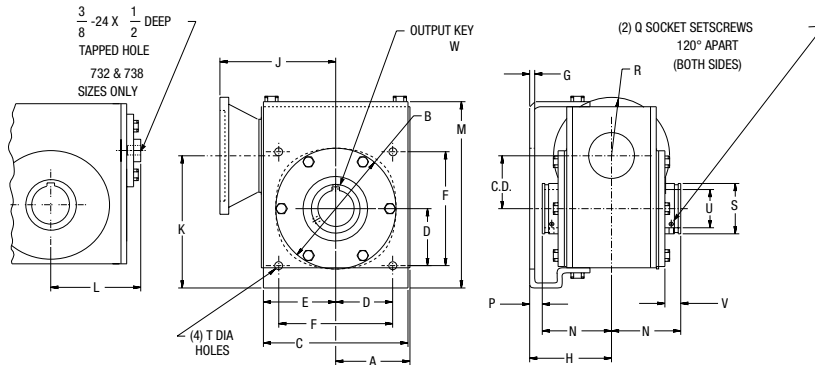
HF700/HQC700 Series Flanged Quill/Flanged Coupling Types

R/L Position Mounting Bracket; Bored to Size, Hollow Output Shaft

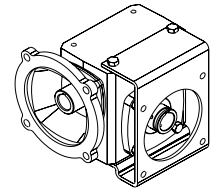
FOR ORDERING INFORMATION, see Page 16

FOR RATING INFORMATION, See Pages 17, 22-33

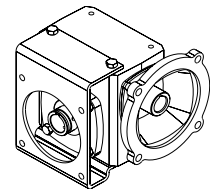
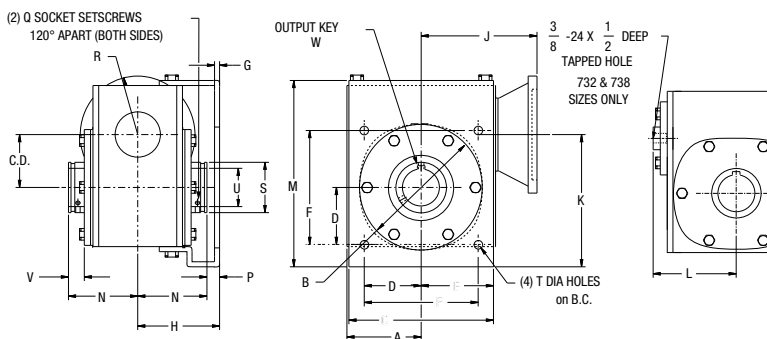
R Position



ASSEMBLY TYPES*



L Position



ALL DIMENSIONS IN INCHES

Size	C.D.	A	B	C	D	E	F	G	H	J-NEMA Mounting ††					K	L	
										HF700		HQC700		RF700			
										56C 140TC	180TC 210C	56C 140TC	180TC 210TC	56C 180TC 210TC 250TC			
713	1.33	2.12	3.62	4.25	1.77	2.12	3.54	0.19	3.00	3.94	—	5.46	—	6.59	—	3.70	—
715	1.54	2.56	3.62	4.75	1.77	2.38	3.54	0.19	3.56	4.50	—	6.11	—	7.34	—	4.07	—
718	1.75	2.75	4.06	5.00	2.08	2.41	4.16	0.19	3.50	4.69	—	6.29	—	7.53	—	4.53	—
721	2.06	3.00	4.50	5.75	2.30	2.88	4.60	0.19	3.75	5.06	—	6.76	—	8.31	—	5.18	—
724	2.38	3.19	5.00	6.12	2.65	2.88	5.30	0.25	3.72	5.25	5.69	6.95	7.81	8.50	9.94	5.98	—
726	2.62	3.69	6.00	7.18	2.83	3.59	5.66	0.25	4.06	5.75	6.19	7.39	8.31	9.47	10.44	6.56	—
730	3.00	4.06	7.00	8.00	3.18	4.00	6.36	0.25	4.50	6.20	6.64	7.84	8.77	9.92	10.88	7.51	—
732	3.25	4.50	7.00	8.50	3.54	4.25	7.08	0.25	5.25	6.56	7.00	8.20	9.13	10.28	11.25	8.00	4.94
738	3.75	5.00	8.00	9.50	4.06	4.75	8.12	0.25	5.47	7.06	7.50	8.70	10.28	11.81	12.88	8.78	5.50

Size	M	N	P	Q	R-NEMA Mounting		S	T Holes	B.C.	Low Speed Shaft			Approx. Weight(LBS.)		Fan Kit No.**	
					56C 140TC	180TC 210C				+0.0015 -0.0000	V	W-Key		HF		HQC
					Size	Length										
713	5.55	2.50	.50	#10-32	3.31	—	.88	11/32	5.000	.625	.68		16	20	—	
715	6.16	3.03	.44	#10-32	3.31	—	1.38	11/32	5.000	1.000	.84		22	28	—	
718	6.66	3.03	.47	#10-32	3.31	—	1.38	11/32	5.875	1.000	.74	See Page	29	31	—	
721	7.47	3.22	.53	1/4-28	3.31	—	1.94	13/32	6.500	1.4375	.87	128 For	36	36	—	
724	8.30	3.22	.50	1/4-28	3.31	4.63	1.94	13/32	7.500	1.4375	.75	Key	41	47	—	
726	9.25	3.44	.62	5/16-24	3.31	4.63	2.50	13/32	8.000	1.9375	.78	Information	52	52	—	
730	10.38	4.19	.31	5/16-24	3.31	4.63	2.88	13/32	8.000	2.1875	1.12		76	80	—	
732	10.91	4.31	.94	5/16-24	3.31	4.63	2.88	9/16	10.000	2.1875	.93		95	107	51450	
738	11.84	4.81	.66	3/8-24	3.31	4.63	3.25	9/16	11.500	2.4375	1.11		147	150	51451	

* See Assemblies and Mounting Positions, Page 18. ** For Fan Kits, see Page 130. See Page 128 for available bore sizes.

Input may be rotated clockwise or counterclockwise. The "SF" style is recommended for direct replacement only.

†† 42CZ Flange Dimensions: F700 J = 3.16 : QC700 J = 4.15 : RF700 J = 4.76

700 Series Single Reduction Flanged Reducer Dimensions

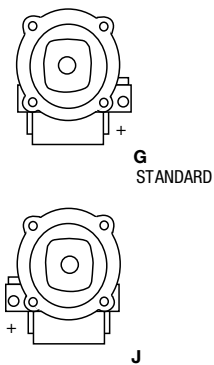
SF700 Series Flanged Quill Type

Basic Models (No Base), Hollow Output Shaft

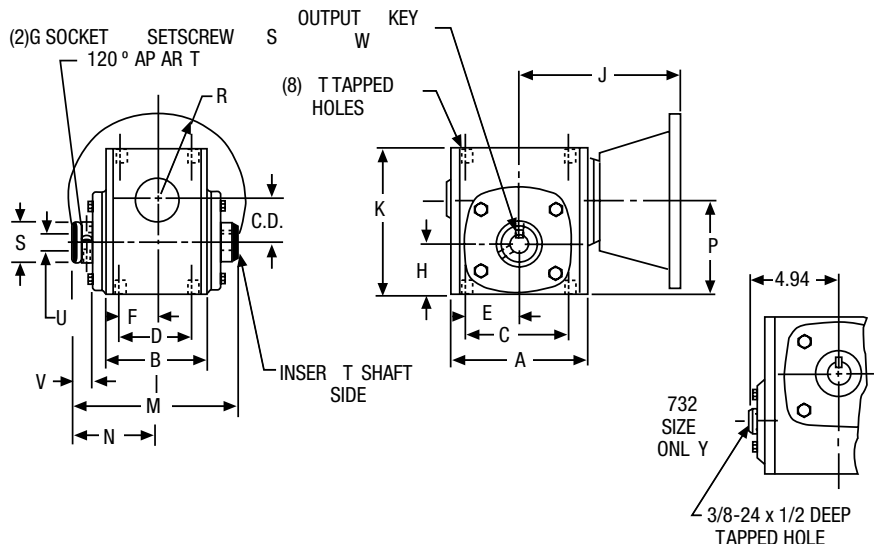
FOR ORDERING INFORMATION, see Page 16

FOR ADDITIONAL SIZES, See the H Series Page 40
FOR RATING INFORMATION, See Pages 17, 22-33

ASSEMBLY TYPES*



+HOLLOW SHAFT
SETScrew ON
THIS SIDE.



ALL DIMENSIONS IN INCHES

Size	C.D.	A	B	C	D	E	F	G	H	J-NEMA Mounting		K	M	N
										SF700				
										56C 140TC	180TC 210C			
718	1.75	5.50	3.69	4.19	2.75	2.09	1.38	#10-32	2.06	4.69	—	5.75	5.69	3.09
721	2.06	6.00	3.81	5.00	2.88	2.50	1.44	1/4-28	2.28	5.06	—	6.38	5.88	3.22
726	2.62	7.38	4.44	6.38	3.38	3.19	1.69	1/4-28	2.94	5.75	6.19	8.00	6.47	3.50
732	3.25	9.00	5.88	7.50	4.00	3.75	2.00	3/8-24	3.50	6.56	7.00	9.38	8.06	4.38

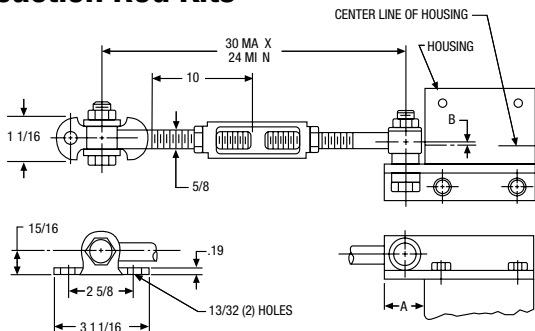
Size	P	R-NEMA Mounting		S	T		Low Speed Shaft			Approx. Weight (LBS.) SF	Fan Kit No.**	
		56C 140TC	180TC 210C		Tap Size	Depth	U †† +.0015 -.000	V	W-Key			
		Size	Length									
718	3.81	3.31	—	1.38	5/16-18	.50	1.000	.78	See Page	23	—	
721	4.34	3.31	—	1.50	3/8-16	.56	1.125	.88	128 For	27	—	
726	5.56	3.31	4.63	2.16	3/8-16	.56	1.4375	.84	Key Information	51	—	
732	6.75	3.31	4.63	2.56	7/16-14	.66	1.9375	1.00		90	51450	

** For Fan Kits, see Page 130.

†† For additional output bore diameters, refer to the H Series, Page 128.

* Assemblies define output (slow speed) shaft projection with respect to input (high speed) shaft and mounted surfaces. Input may be rotated clockwise or counterclockwise. See Assemblies and Mounting Positions, Page 18

Reaction Rod Kits



ALL DIMENSIONS IN INCHES

Size	A	B	Catalog Number	Kit No.
718	1.09	.09	X718-76K	69692
721	1.25	.03	X721-76K	69693
726	1.25	.22	X726-76K	69694
732	1.50	.53	X732-76K	69695

All hardware shown is included in the kits.

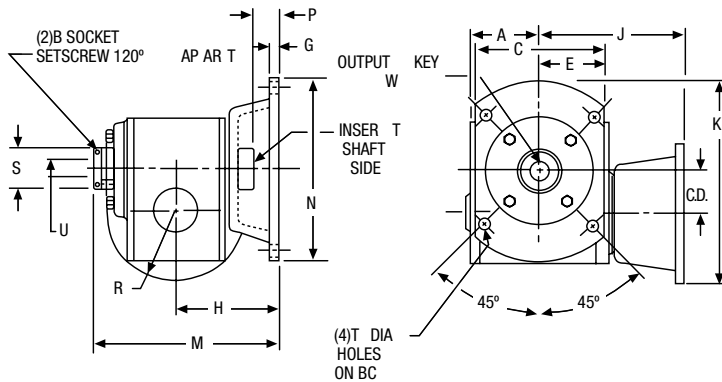
700 Series Single Reduction Flanged Reducer Dimensions

SF700 Series Flanged Quill Type V/W Position Mounting Flange, Hollow Output Shaft

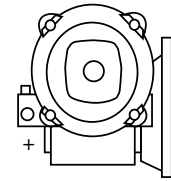
FOR ORDERING INFORMATION, see Page 16

FOR ADDITIONAL SIZES, See the H Series Page 41
FOR RATING INFORMATION, See Pages 17, 22-33

V Position



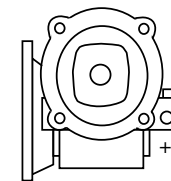
ASSEMBLY TYPES*



J
STANDARD

+HOLLOW SHAFT
SETSCREW ON
THIS SIDE.

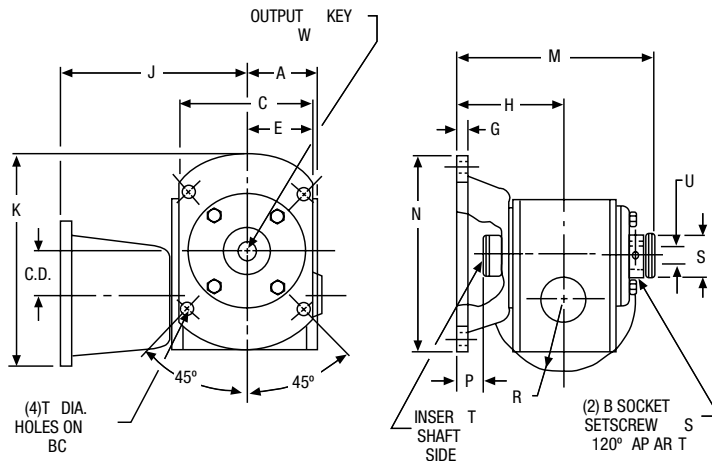
ASSEMBLY TYPES*



G
STANDARD

+HOLLOW SHAFT
SETSCREW ON
THIS SIDE.

W Position



ALL DIMENSIONS IN INCHES

Size	C.D.	A	B	C	BC	E	G	H	J-NEMA Mounting †		K
									SF700		
									56C 140TC	180TC 210C	
718	1.75	2.75	#10-32	4.88	5.88	2.44	.38	3.50	4.69	—	8.03
721	2.06	3.00	1/4-28	5.75	6.50	2.88	.38	3.75	5.06	—	8.66
726	2.62	3.69	1/4-28	7.75	8.00	3.88	.38	4.06	5.75	6.19	11.69
732	3.25	4.50	3/8-24	9.00	10.00	4.50	.50	5.25	6.56	7.00	13.38

Size	M	N	P	R-NEMA Mounting		S	T Holes	Low Speed Shaft		Approx. Weight (LBS.) SF	Fan Kit No.**	
				56C 140TC	180TC 210C			U +.0015 -.000	W-Key			
									Size			Length
718	6.59	6.75	.91	3.31	—	1.38	11/32	1.000	See Page	28	—	
721	6.97	7.38	1.09	3.31	—	1.50	13/32	1.125	128 For	35	—	
726	7.56	8.88	1.09	3.31	4.63	2.16	13/32	1.4375	Key Information	69	—	
732	9.63	11.00	1.56	3.31	4.63	2.56	9/16	1.9375		119	51450	

** For Fan Kits, see Page 130.

* Assemblies define output (slow speed) shaft projection with respect to input (high speed) shaft and mounted surfaces.
Input may be rotated clockwise or counterclockwise. See Assemblies and Mounting Positions, Page 18.

† 42CZ Flange Dimensions: F700 J = 3.16 : QC700 J = 4.15 : RF700 J = 4.76

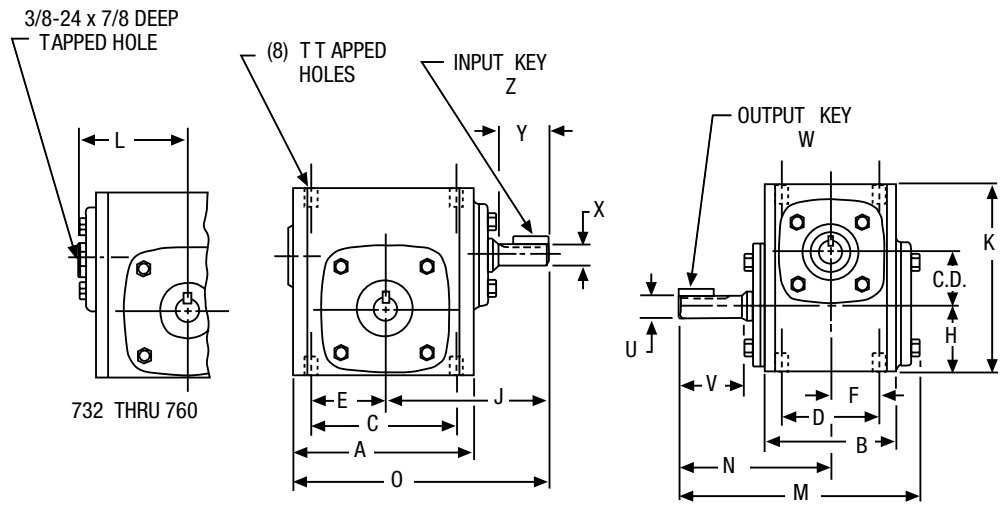
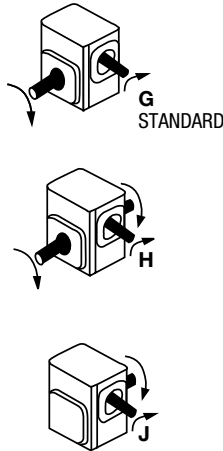
700 Series Single Reduction Non-Flanged Reducer Dimensions

700 Series Basic Models (No Base)

FOR ORDERING INFORMATION, see Page 16

FOR RATING INFORMATION, See Pages 17, 22-33

ASSEMBLY TYPES*



ALL DIMENSIONS IN INCHES

Size	C.D.	A	B	C	D	E	F	H	J	K	L	M	N	O
710	1.00	3.25	2.50	2.63	1.69	1.31	.84	1.31	2.88	3.63	—	4.53	2.88	4.50
713	1.33	4.25	2.88	3.25	2.00	1.63	1.00	1.72	3.91	4.66	—	6.03	4.00	6.03
715	1.54	5.13	3.69	4.19	2.75	2.09	1.38	1.91	4.69	5.38	—	6.84	4.31	7.25
718	1.75	5.50	3.69	4.19	2.75	2.09	1.38	2.06	4.88	5.75	—	6.84	4.31	7.63
721	2.06	6.00	3.81	5.00	2.88	2.50	1.44	2.28	5.13	6.38	—	7.28	4.69	8.13
724	2.38	6.38	4.06	5.00	2.88	2.50	1.44	2.50	5.75	6.94	—	7.81	5.09	8.94
726	2.62	7.38	4.44	6.38	3.38	3.19	1.69	2.94	6.31	8.00	—	8.53	5.63	10.00
730	3.00	8.12	5.25	7.00	4.00	3.50	2.00	3.25	6.88	8.88	—	10.02	6.75	10.94
732	3.25	9.00	5.88	7.50	4.00	3.75	2.00	3.50	7.44	9.38	4.94	10.81	7.06	11.94
738	3.75	10.00	6.38	8.50	4.75	4.25	2.38	3.88	8.38	10.44	5.50	11.88	7.75	13.38
752	5.16	13.13	7.38	11.00	5.81	5.50	2.91	5.31	10.69	13.75	7.19	13.81	9.06	17.25
760	6.00	14.50	8.13	12.75	6.38	6.13	3.19	6.50	11.75	16.50	7.94	15.31	10.00	19.00

Size	T		Low Speed Shaft				High Speed Shaft				Approx. Weight (LBS.)	Fan Kit No.**
	Tap Size	Depth	U +.000 -.001	V	W-Key		X +.000 -.001	Y	Z-Key			
					Sq.	Length			Sq.	Length		
710	1/4-20	.44	.500	1.19	1/8	5/8	.3745	.81	3/32	3/8	6	—
713	5/16-18	.50	.625	2.00	3/16	1	.4995	1.31	1/8	5/8	11	—
715	5/16-18	.50	.750	1.78	3/16	1	.6245	1.56	3/16	13/16	18	—
718	5/16-18	.50	.875	1.78	3/16	1	.6245	1.56	3/16	13/16	20	—
721	3/8-16	.56	1.000	2.09	1/4	1-1/4	.6245	1.56	3/16	13/16	25	—
724	3/8-16	.56	1.125	2.37	1/4	1-1/4	.7495	2.00	3/16	1	31	—
726	3/8-16	.56	1.125	2.62	1/4	1-15/16	.7495	2.00	3/16	1	43	—
730	7/16-14	.88	1.250	3.25	1/4	2-1/4	.8745	2.24	3/16	1	57	—
732	7/16-14	.66	1.375	3.25	5/16	2-7/16	.8745	2.34	3/16	1	72	51450
738	1/2-13	.81	1.625	3.50	3/8	2-1/4	.9995	2.75	1/4	1-1/4	105	51451
752	5/8-11	1.00	2.000	4.16	1/2	2-15/16	1.2495	3.25	1/4	1-1/4	198	51452
760	5/8-11	1.00	2.250	4.56	1/2	3-3/8	1.4995	3.88	3/8	3	240	51453

* See Assemblies and Mounting Positions, Page 19.

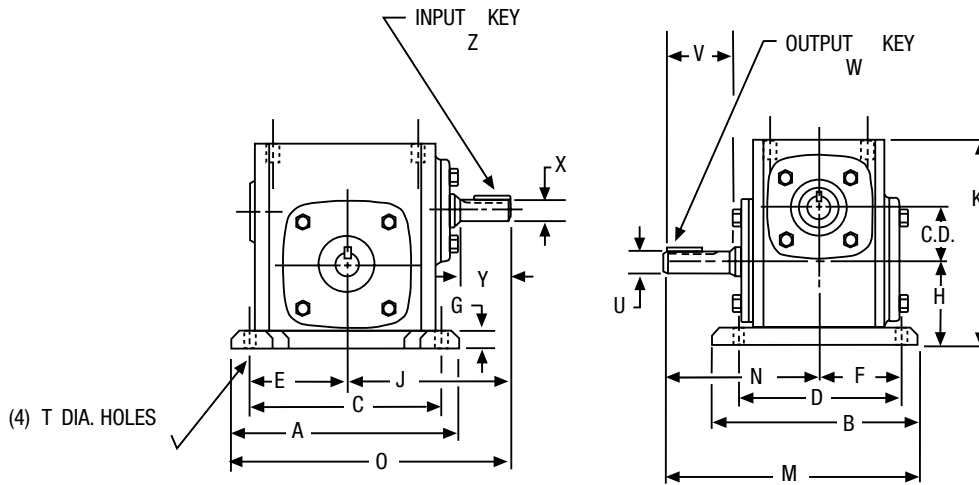
** For Fan Kits, see Page 130.

700 Series Single Reduction Non-Flanged Reducer Dimensions

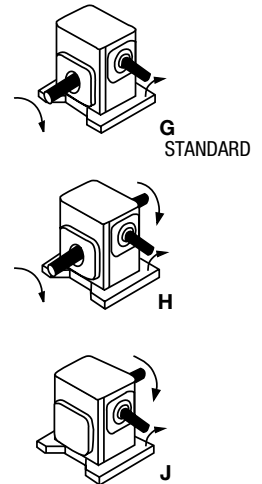
700 Series B Position Horizontal Base

FOR ORDERING INFORMATION, see Page 16

FOR RATING INFORMATION, See Pages 17, 22-33



ASSEMBLY TYPES*



ALL DIMENSIONS IN INCHES

Size	C.D.	A	B	C	D	E	F	G	H	J	K	M	N	O
710	1.00	4.63	3.69	3.75	2.88	1.88	1.44	0.44	1.75	2.88	4.06	4.72	2.88	5.19
713	1.33	5.38	4.19	4.38	3.31	2.19	1.66	0.53	2.25	3.91	5.19	6.09	4.00	6.59
715	1.54	6.44	5.44	5.25	4.31	2.63	2.16	0.59	2.50	4.69	5.97	7.03	4.31	7.91
718	1.75	7.00	5.69	5.75	4.50	2.88	2.25	0.69	2.75	4.88	6.44	7.16	4.31	8.38
721	2.06	7.75	5.94	6.38	4.69	3.19	2.34	0.72	3.00	5.13	7.09	7.66	4.69	9.00
724	2.38	8.50	6.19	7.06	4.88	3.53	2.44	0.75	3.25	5.75	7.69	8.19	5.09	10.00
726	2.62	9.63	6.66	8.00	5.25	4.00	2.63	0.75	3.69	6.31	8.75	8.97	5.63	11.13
730	3.00	10.00	7.50	8.44	5.88	4.22	2.94	0.75	4.00	6.81	9.63	10.50	6.75	11.88
732	3.25	11.19	7.66	9.50	6.13	4.75	3.06	0.88	4.38	7.44	10.25	10.94	7.06	13.03
738	3.75	12.13	8.66	10.38	7.00	5.19	3.50	0.94	4.81	8.38	11.38	12.09	7.75	14.44
752	5.16	16.38	10.63	14.13	8.38	7.06	4.19	1.13	6.44	10.69	14.88	14.38	9.06	18.88
760	6.00	19.00	12.00	16.50	9.50	8.25	4.75	1.25	7.75	11.75	17.75	16.00	10.00	21.25

Size	T	Low Speed Shaft				High Speed Shaft				Approx. Weight (LBS.)	Base Kit No. †	Fan Kit No.**
		U +.000 -.001	V	W-Key		X +.000 -.001	Y	Z-Key				
				Sq.	Length			Sq.	Length			
710	11/32	.500	1.19	1/8	5/8	.3745	.81	3/32	3/8	7	56575	—
713	11/32	.625	2.00	3/16	1	.4995	1.31	1/8	5/8	12	56577	—
715	13/32	.750	1.78	3/16	1	.6245	1.56	3/16	13/16	19	56438	—
718	13/32	.875	1.78	3/16	1	.6245	1.56	3/16	13/16	21	56585	—
721	15/32	1.000	2.09	1/4	1-1/4	.6245	1.56	3/16	13/16	26	56440	—
724	15/32	1.125	2.37	1/4	1-1/4	.7495	2.00	3/16	1	32	56591	—
726	17/32	1.125	2.62	1/4	1-15/16	.7495	2.00	3/16	1	46	56595	—
730	17/32	1.250	3.25	1/4	2-1/4	.8745	2.24	3/16	1	64	65544	—
732	17/32	1.375	3.25	5/16	2-7/16	.8745	2.31	3/16	1	81	56599	51450
738	19/32	1.625	3.50	3/8	2-1/4	.9995	2.75	1/4	1-1/4	115	56603	51451
752	25/32	2.000	4.16	1/2	2-15/16	1.2495	3.25	1/4	1-1/4	212	56607	51452
760	29/32	2.250	4.56	1/2	3-3/8	1.4995	3.88	3/8	3	260	56610	51453

* See Assemblies and Mounting Positions, Page 19.

** For Fan Kits, see Page 130.

† For Base Kits, see Page 129.

700 Series Single Reduction Non-Flanged Reducer Dimensions

700 Series

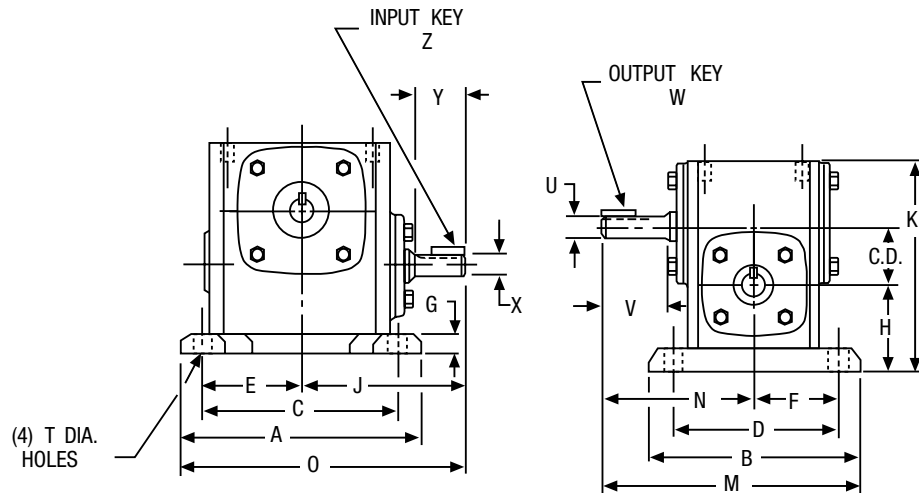
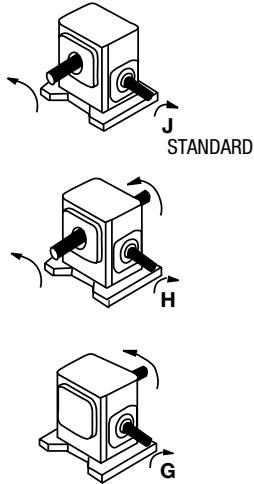
A Position Horizontal Base

FOR ORDERING INFORMATION, see Page 16

FOR RATING INFORMATION, See Pages 17, 22-33

A

ASSEMBLY TYPES*



ALL DIMENSIONS IN INCHES

Size	C.D.	A	B	C	D	E	F	G	H	J	K	M	N	O
710	1.00	4.63	3.69	3.75	2.88	1.88	1.44	.44	1.75	2.88	4.06	4.72	2.88	5.19
713	1.33	5.38	4.19	4.38	3.31	2.19	1.66	.53	2.13	3.91	5.19	6.09	4.00	6.59
715	1.54	6.44	5.44	5.25	4.31	2.63	2.16	.59	2.50	4.69	5.97	7.03	4.31	7.91
718	1.75	7.00	5.69	5.75	4.50	2.88	2.25	.69	2.63	4.88	6.44	7.16	4.31	8.38
721	2.06	7.75	5.94	6.38	4.69	3.19	2.34	.72	2.75	5.13	7.09	7.66	4.69	9.00
724	2.38	8.50	6.19	7.06	4.88	3.53	2.44	.75	2.81	5.75	7.69	8.19	5.09	10.00
726	2.62	9.63	6.66	8.00	5.25	4.00	2.63	.75	3.19	6.31	8.75	8.97	5.63	11.13
730	3.00	10.00	7.50	8.44	5.88	4.22	2.94	.75	3.38	6.81	9.63	10.50	6.75	11.88
732	3.25	11.19	7.66	9.50	6.13	4.75	3.06	.88	3.50	7.44	10.25	10.94	7.06	13.03
738	3.75	12.13	8.66	10.38	7.00	5.19	3.50	.94	3.75	8.38	11.38	12.09	7.75	14.44
752	5.16	16.38	10.63	14.13	8.38	7.06	4.19	1.13	4.38	10.69	14.88	14.38	9.06	18.88
760	6.00	19.00	12.00	16.50	9.50	8.25	4.75	1.25	5.25	11.75	17.75	16.00	10.00	21.25

Size	T	Low Speed Shaft				High Speed Shaft				Approx. Weight (LBS.)	Base Kit No. †	Fan Kit No.**
		U +.000 -.001	V	W-Key		X +.000 -.001	Y	Z-Key				
				Sq.	Length			Sq.	Length			
710	11/32	.500	1.19	1/8	5/8	.3745	.81	3/32	3/8	7	56575	—
713	11/32	.625	2.00	3/16	1	.4995	1.31	1/8	5/8	12	56577	—
715	13/32	.750	1.78	3/16	1	.6245	1.56	3/16	13/16	19	56438	—
718	13/32	.875	1.78	3/16	1	.6245	1.56	3/16	13/16	21	56585	—
721	15/32	1.000	2.09	1/4	1-1/4	.6245	1.56	3/16	13/16	26	56440	—
724	15/32	1.125	2.37	1/4	1-1/4	.7495	2.00	3/16	1	32	56591	—
726	17/32	1.125	2.62	1/4	1-15/16	.7495	2.00	3/16	1	46	56595	—
730	17/32	1.250	3.25	1/4	2-1/4	.8745	2.24	3/16	1	64	65544	—
732	17/32	1.375	3.25	5/16	2-7/16	.8745	2.31	3/16	1	81	56599	51450
738	19/32	1.625	3.50	3/8	2-1/4	.9995	2.75	1/4	1-1/4	115	56603	51451
752	25/32	2.000	4.16	1/2	2-15/16	1.2495	3.25	1/4	1-1/4	212	56607	51452
760	29/32	2.250	4.56	1/2	3-3/8	1.4995	3.88	3/8	3	260	56610	51453

* See Assemblies and Mounting Positions, Page 19.

** For Fan Kits, see Page 130.

† For Base Kits, see Page 129.

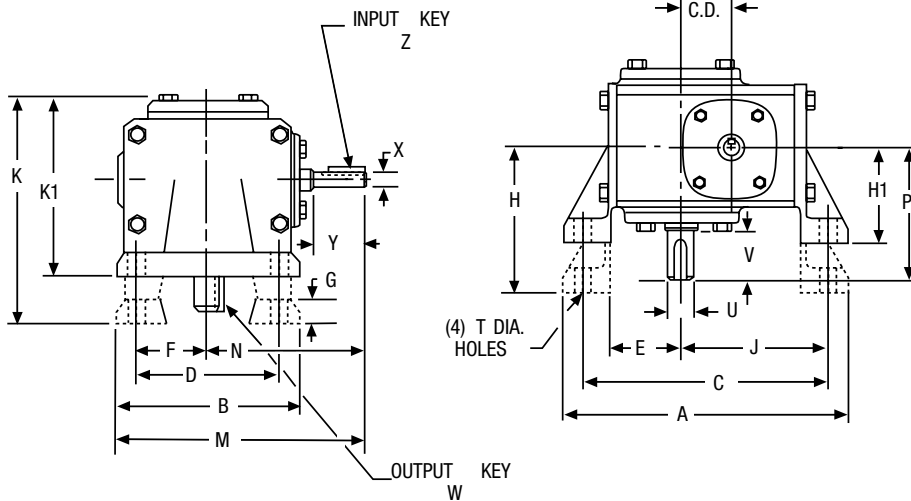
700 Series Single Reduction Non-Flanged Reducer Dimensions

700 Series

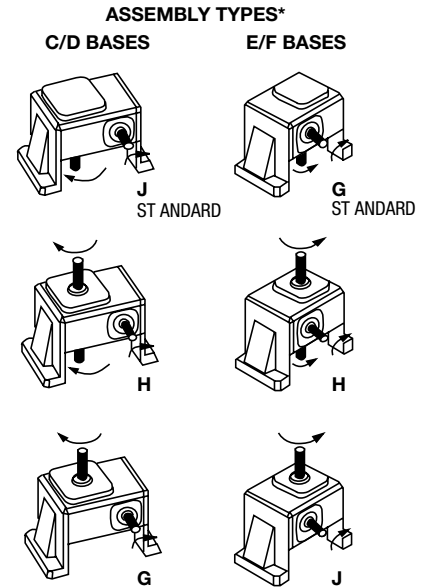
C/D Position Vertical Base; C/E High Base; D/F Low Base

FOR ORDERING INFORMATION, see Page 16

FOR RATING INFORMATION, See Pages 17, 22-33



ALL DIMENSIONS IN INCHES



A

Size	C.D.	A	B	C	D	E	F	G	H	H1	J	K	K1	M	N	P
710	1.00	6.06	3.22	5.13	2.31	1.38	1.16	.44	2.94	—	3.06	4.59	—	4.50	2.88	2.88
713	1.33	7.09	4.13	6.16	3.25	1.78	1.63	.53	3.56	2.31	3.69	5.59	4.34	6.03	3.91	4.00
715	1.54	8.03	5.16	6.97	4.00	1.97	2.00	.69	4.38	3.00	4.25	6.88	5.50	7.28	4.69	4.31
718	1.75	8.44	5.16	7.38	4.00	2.13	2.00	.69	4.38	3.00	4.50	6.88	5.53	7.63	4.88	4.31
721	2.06	9.50	6.03	8.38	4.88	2.34	2.44	.72	4.88	3.13	5.09	7.50	5.75	8.16	5.13	4.69
724	2.38	10.06	6.31	8.94	4.88	2.56	2.44	.75	5.25	3.38	5.44	7.97	6.09	8.94	5.75	5.09
726	2.62	11.69	7.38	10.13	5.75	3.00	2.88	.88	5.59	3.63	6.13	8.50	6.53	10.00	6.31	5.63
730	3.00	12.52	8.00	11.13	6.00	3.34	3.00	.94	5.88	3.94	6.75	9.15	7.18	10.88	6.88	6.75
732	3.25	13.38	9.00	11.88	6.13	3.56	3.06	.88	6.25	4.69	7.13	10.00	8.44	11.94	7.44	7.06
738	3.75	15.69	10.00	13.94	8.00	4.00	4.00	.94	7.00	5.25	8.31	11.12	9.38	13.38	8.38	7.75
752	5.16	20.56	13.13	18.00	10.00	5.44	5.00	1.13	8.63	6.38	10.56	13.38	11.13	17.25	10.69	9.06
760	6.00	23.25	14.75	20.88	11.75	6.63	5.88	1.13	9.63	7.31	12.19	14.94	12.62	19.13	11.75	10.00

Size	T	Low Speed Shaft				High Speed Shaft				High Base		Low Base		Fan Kit No.**
		U +.000 -.001	V	W-Key		X +.000 -.001	Y	Z-Key		Approx. Weight (LBS.)	Base Kit No. †	Approx. Weight (LBS.)	Base Kit No. †	
				Sq.	Length			Sq.	Length					
710	11/32	.500	1.19	1/8	5/8	.3745	.81	3/32	3/8	7	56576	—	—	—
713	11/32	.625	2.00	3/16	1	.4995	1.31	1/8	5/8	13	56578	12	56579	—
715	13/32	.750	1.78	3/16	1	.6245	1.56	3/16	13/16	21	56582	20	56583	—
718	13/32	.875	1.78	3/16	1	.6245	1.56	3/16	13/16	23	56582	22	56583	—
721	15/32	1.000	2.09	1/4	1-1/4	.6245	1.56	3/16	13/16	28	56588	25	56589	—
724	15/32	1.125	2.38	1/4	1-1/4	.7495	2.00	3/16	1	37	56592	35	56593	—
726	17/32	1.125	2.63	1/4	1-15/16	.7495	2.00	3/16	1	51	56596	49	56597	—
730	17/32	1.250	3.25	1/4	2-1/4	.8745	2.24	3/16	1	67	65545	65	65546	—
732	17/32	1.375	3.25	5/16	2-7/16	.8745	2.31	3/16	1	83	56600	81	56601	51450
738	19/32	1.625	3.50	3/8	2-1/4	.9995	2.75	1/4	1-1/4	143	56604	133	56605	51451
752	25/32	2.000	4.16	1/2	2-15/16	1.2495	3.25	1/4	1-1/4	238	56608	226	56609	51452
760	29/32	2.250	4.56	1/2	3-3/8	1.4995	3.88	3/8	3	259	56611	275	56612	51453

* See Assemblies and Mounting Positions, Page 19.

** For Fan Kits, see Page 130.

† For Base Kits, see Page 129.

700 Series Single Reduction Non-Flanged Reducer Dimensions

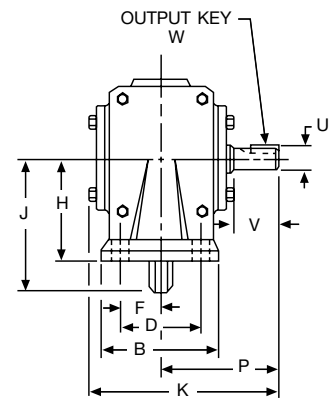
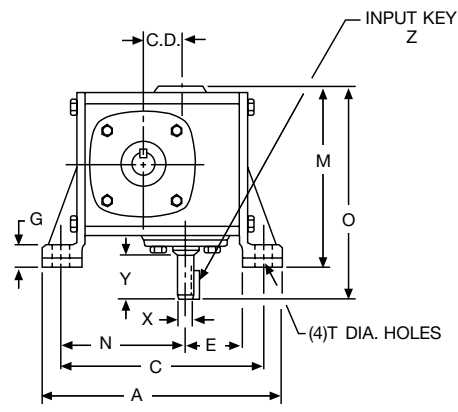
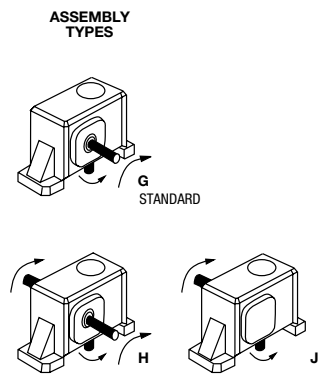
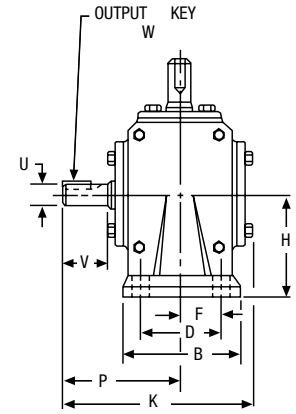
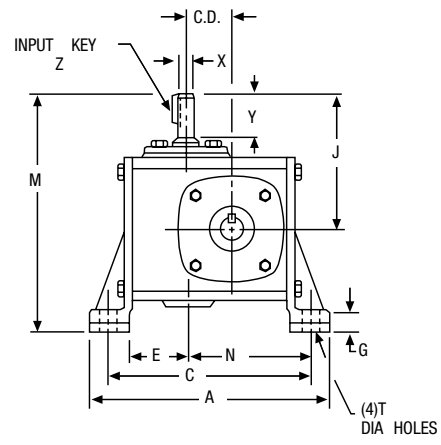
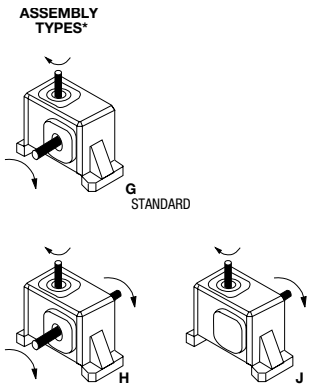
700 Series

X/Y Position Vertical Base; X = Input Vertical Up, Y = Input Vertical Down

FOR ORDERING INFORMATION, see Page 16

FOR RATING INFORMATION, See Pages 15, 20-31

A



ALL DIMENSIONS IN INCHES

Size	C.D.	A	B	C	D	E	F	G	H	J	K	M		N
												X Models	Y Models	
713	1.33	7.28	2.91	6.41	2.00	1.70	1.00	.53	2.94	3.91	6.03	6.84	5.06	3.92
715	1.54	8.25	3.72	7.25	2.50	2.00	1.25	.69	3.50	4.69	6.84	8.19	6.06	4.38
718	1.75	8.62	3.72	7.62	2.50	2.00	1.25	.69	3.50	4.87	6.81	8.37	6.25	4.75
721	2.06	9.75	3.84	8.62	2.62	2.09	1.31	.72	3.94	5.12	7.28	9.06	6.94	5.47
724	2.38	10.31	4.12	9.19	2.87	2.12	1.44	.75	4.06	5.75	7.81	9.81	7.25	6.00
726	2.62	11.88	4.53	10.37	3.12	2.50	1.56	.87	4.75	6.31	8.53	11.06	8.44	6.75

Size	O	P	T	Low Speed Shaft				High Speed Shaft				Approx. Weight (LBS.)	Base Kit No.†
				U +.000 -.001	V	W-Key		X +.000 -.001	Y	Z-Key			
						Sq.	Length			Sq.	Length		
713	6.03	4.00	11/32	.625	2.00	3/16	1	.4995	1.31	1/8	5/8	14	55196
715	7.25	4.31	13/32	.750	1.78	3/16	1	.6245	1.56	3/16	13/16	21	55349
718	7.63	4.31	13/32	.875	1.78	3/16	1	.6245	1.56	3/16	13/16	23	55349
721	8.13	4.69	15/32	1.000	2.09	1/4	1-1/4	.6245	1.56	3/16	13/16	28	55644
724	8.94	5.09	15/32	1.125	2.37	1/4	1-1/4	.7495	2.00	3/16	1	37	55768
726	10.00	5.62	17/32	1.125	2.62	1/4	1-15/16	.7495	2.00	3/16	1	51	55769

* See Assemblies and Mounting Positions, Page 19.
† For Base Kits, see Page 129.

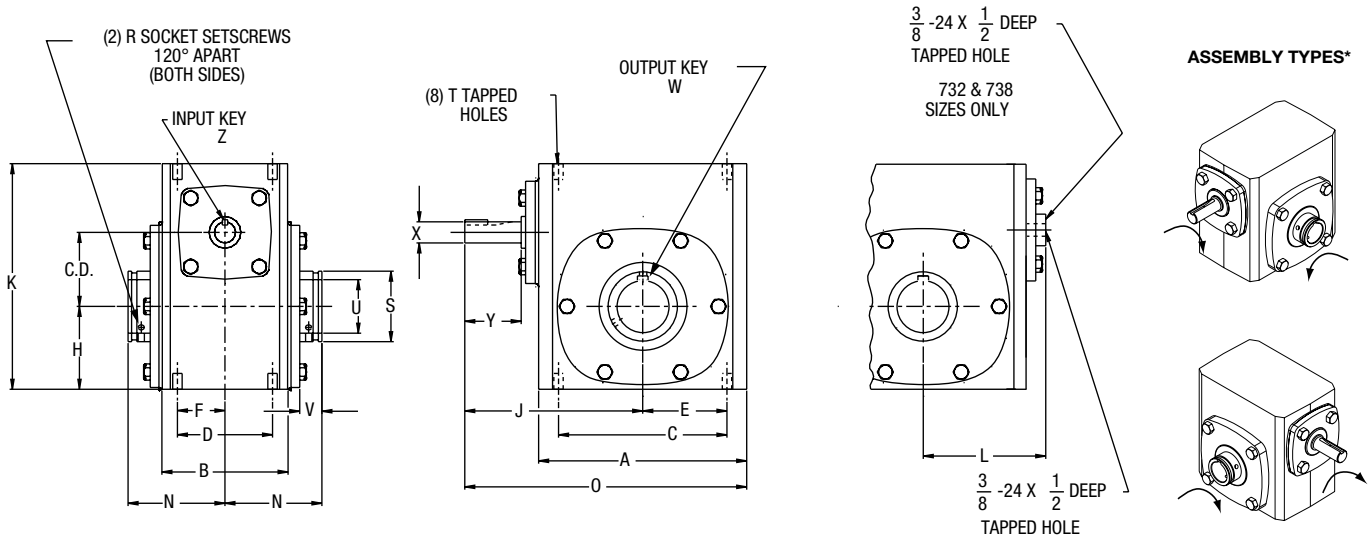
700 Series Single Reduction Non-Flanged Reducer Dimensions

H700 Series

Basic Models (No Base); Bored to Size, Hollow Output Shaft

FOR ORDERING INFORMATION, see Page 16

FOR RATING INFORMATION, See Pages 15, 20-31



ALL DIMENSIONS IN INCHES

Size	C.D.	A	B	C	D	E	F	H	J	K	L	N	O	R	S
713	1.33	4.25	2.88	3.25	2.00	1.63	1.00	1.72	3.91	4.66	—	2.50	6.03	#10-32	.88
715	1.54	5.13	3.69	4.19	2.75	2.09	1.38	1.91	4.69	5.38	—	3.03	7.25	#10-32	1.38
718	1.75	5.50	3.69	4.19	2.75	2.09	1.38	2.06	4.88	5.75	—	3.03	7.63	#10-32	1.38
721	2.06	6.00	3.81	5.00	2.88	2.50	1.44	2.28	5.13	6.38	—	3.22	8.13	1/4-28	1.94
724	2.38	6.38	4.06	5.00	2.88	2.50	1.44	2.50	5.75	6.94	—	3.22	8.94	1/4-28	1.94
726	2.62	7.38	4.44	6.38	3.38	3.19	1.69	2.94	6.31	8.00	—	3.44	10.00	5/16-24	2.50
730	3.00	8.12	5.25	7.00	4.00	3.50	2.00	3.25	6.88	8.88	—	4.19	10.94	5/16-24	2.88
732	3.25	9.00	5.88	7.50	4.00	3.75	2.00	3.50	7.44	9.38	4.94	4.31	11.94	5/16-24	2.88
738	3.75	10.00	6.38	8.50	4.75	4.25	2.38	3.88	8.38	10.44	5.50	4.81	13.38	5/16-24	3.25
752	5.16	13.13	7.38	11	5.81	5.5	2.91	5.31	10.69	13.75	7.19	6.12	17.25	3/1-24	4.25

Size	T		Low Speed Shaft				High Speed Shaft				Approx. Weight (LBS.)	Fan Kit No.**
	Tap Size	Depth	Max U +.0015 -0.0000	V	W - Key		X +.000 -0.001	Y	Z - Key			
					Sq.	Length			Sq.	Length		
713	5/16-18	.50	.625	.68			.4995	1.31	1/8	5/8	12	—
715	5/16-18	.50	1.000	.74			.6245	1.56	3/16	13/16	19	—
718	5/16-18	.50	1.000	.74			.6245	1.56	3/16	13/16	21	—
721	3/8-16	.56	1.4375	.87			.6245	1.56	3/16	13/16	26	—
724	3/8-16	.56	1.4375	.75			.7495	2.00	3/16	1	33	—
726	3/8-16	.56	1.9375	.78			.7495	2.00	3/16	1	45	—
730	7/16-14	.88	2.1875	1.10			.8745	2.24	3/16	1	60	—
732	7/16-14	.66	2.1875	.93			.8745	2.31	3/16	1	76	51450
738	1/2-13	.81	2.4375	1.11			.9995	2.75	1/4	1-1/4	110	51451
752	5/8-11	1	3.4375	1.37			1.2495	3.25	4-Jan	1-1/4	198	51452

* See Assemblies and Mounting Positions, Page 19.

** For Fan Kits, see Page 130.

See Page 128 for available bore sizes.

Input may be rotated clockwise or counterclockwise. Arrows indicate relative rotation.

700 Series Single Reduction Non-Flanged Reducer Dimensions

H700 Series

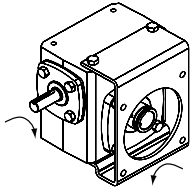
R/L Position Mounting Bracket; Hollow Output Shaft

FOR ORDERING INFORMATION, see Page 16

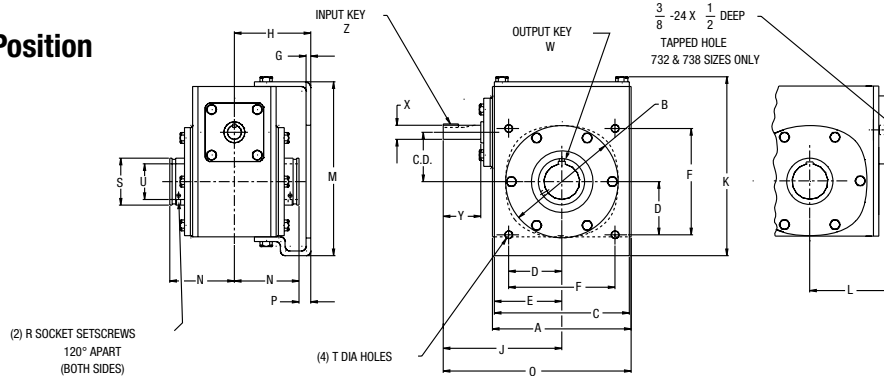
FOR RATING INFORMATION, See Pages 17, 22-33

A

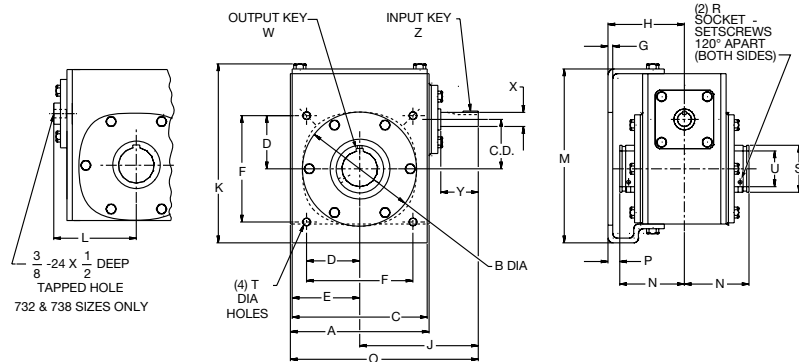
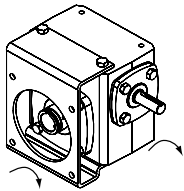
ASSEMBLY TYPES*



R Position



L Position



ALL DIMENSIONS IN INCHES

Size	C.D.	A	B	C	D	E	F	G	H	J	K	L	M	N	O	P
713	1.33	4.25	3.62	4.25	1.77	2.12	3.54	.19	3.00	3.91	5.72	—	5.55	2.50	6.03	.50
715	1.54	5.13	3.62	4.75	1.77	2.38	3.54	.19	3.56	4.69	6.40	—	6.16	3.03	7.25	.44
718	1.75	5.50	4.06	5.00	2.08	2.41	4.16	.19	3.50	4.88	6.89	—	6.66	3.03	7.63	.47
721	2.06	6.00	4.50	5.92	2.30	2.96	4.60	.25	3.75	5.13	7.74	—	7.47	3.22	8.13	.53
724	2.38	6.38	5.00	5.75	2.65	2.88	5.30	.25	3.72	5.75	8.57	—	8.30	3.22	8.94	.50
726	2.62	7.38	6.00	7.18	2.83	3.59	5.66	.25	4.06	6.31	9.52	—	9.25	3.44	10.00	.62
730	3.00	8.12	7.00	8.00	3.18	4.00	6.36	.25	4.50	6.88	10.75	—	10.38	4.19	10.94	.31
732	3.25	9.00	7.00	8.50	3.54	4.25	7.08	.25	5.25	7.44	11.22	4.94	10.91	4.31	11.94	.94
738	3.75	10.00	8.00	9.50	4.06	4.75	8.12	.25	5.47	8.38	12.21	5.50	11.84	4.81	13.38	.66

Size	R	S	T Holes	Low Speed Shaft		High Speed Shaft				Approx. Weight (LBS.)	Fan Kit No.**	
				Max U +.0015 -.0000	W-Key		X +.000 -.001	Y	Z-Key			
					Sq.	LENGTH			Sq.			Length
713	#10-32	.88	11/32	.625			.4995	1.31	1/8	5/8	14	—
715	#10-32	1.38	11/32	1.000			.6245	1.56	3/16	13/16	22	—
718	#10-32	1.38	11/32	1.000			.6245	1.56	3/16	13/16	25	—
721	1/4-28	1.94	13/32	1.4375	See Page 128 For		.6245	1.56	3/16	13/16	29	—
724	1/4-28	1.94	13/32	1.4375	Key Information		.7495	2.00	3/16	1	40	—
726	5/16-24	2.50	13/32	1.9375	Key Information		.7495	2.00	3/16	1	54	—
730	5/16-24	2.88	13/32	2.1875	Key Information		.8745	2.24	3/16	1	67	—
732	5/16-24	2.88	9/16	2.1875	Key Information		.8745	2.31	3/16	1	89	51450
738	3/8-24	3.25	9/16	2.4375	Key Information		.9995	2.75	1/4	1-1/4	132	51451

* See Assemblies and Mounting Positions, Page 19.

** For Fan Kits, see Page 130. See Page 128 for available bore sizes.

Input may be rotated clockwise or counterclockwise. Arrows indicate relative rotation.

700 Series Single Reduction Non-Flanged Reducer Dimensions

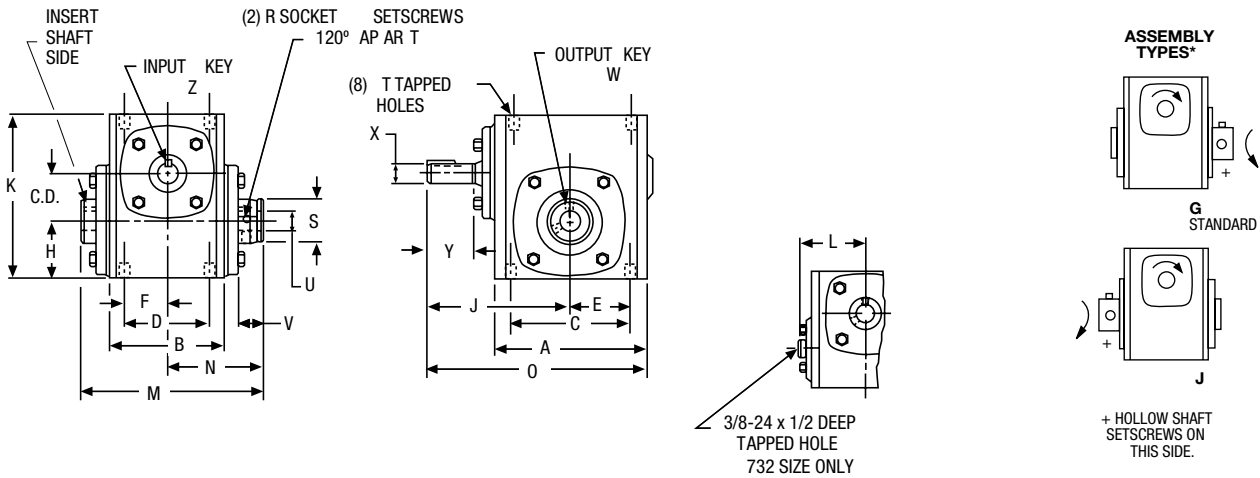
S700 Series

Basic Models (No Base); Hollow Output Shaft

FOR ADDITIONAL SIZES, See the H Series Page 49

FOR RATING INFORMATION, See Pages 17, 22-33

FOR ORDERING INFORMATION, see Page 16



ALL DIMENSIONS IN INCHES

Size	C.D.	A	B	C	D	E	F	H	J	K	M	N	O	R	S
718	1.75	5.50	3.69	4.19	2.75	2.09	1.38	2.06	4.88	5.75	5.69	3.09	7.63	#10-32	1.38
721	2.06	6.00	3.81	5.00	2.88	2.50	1.44	2.28	5.13	6.38	5.88	3.22	8.13	1/4-28	1.50
726	2.62	7.38	4.44	6.38	3.38	3.19	1.69	2.94	6.31	8.00	6.47	3.50	10.00	1/4-28	2.16
732	3.25	9.00	5.88	7.50	4.00	3.75	2.00	3.50	7.44	9.38	8.06	4.38	11.94	5/16-24	2.56

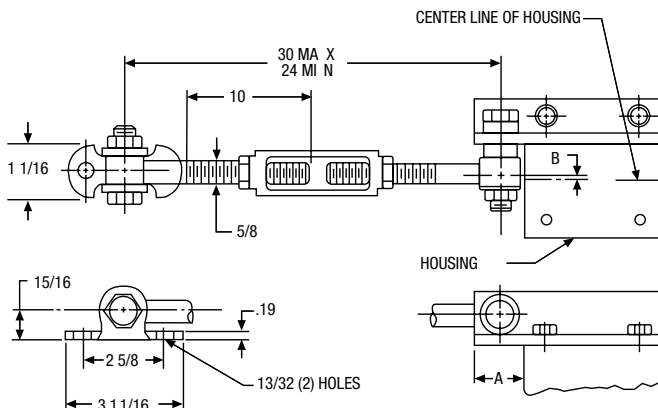
Size	T		Low Speed Shaft				High Speed Shaft				Approx. Weight (LBS.)	Fan Kit No.**
	Tap Size	Depth	U †† +.0015 -.001	V	W - Key		X +.000 -.001	Y	Z - Key			
					Sq.	Length			Sq.	Length		
718	5/16-18	.50	1.000	.78	See Page		.6245	1.56	3/16	13/16	19	—
721	3/8-16	.56	1.125	.88	128 For		.6245	1.56	3/16	13/16	23	—
726	3/8-16	.56	1.4375	.84	Key Information		.7495	2.00	3/16	1	40	—
732	7/16-14	.66	1.9375	1.00			.8745	2.31	3/16	1	72	51450

* See Assemblies and mounting Positions, Page 19. Assemblies define output (slow speed) shaft projection with respect to input (high speed) shaft and mounted surfaces, viewed from end of input shaft. Input may be rotated clockwise or counterclockwise. Arrows indicate relative rotation.

** For Fan Kits, see Page 130.

†† For additional Output Bore Diameters, refer to the H Series, Page 128.

Reaction Rod Kits



ALL DIMENSIONS IN INCHES

Size	A	B	Catalog Number	Kit No.
S718	1.09	.09	X718-76K	69692
S721	1.25	.03	X721-76K	69693
S726	1.25	.22	X726-76K	69694
S732	1.50	.53	X732-76K	69695

All hardware shown is included in the kits.

700 Series Single Reduction Non-Flanged Reducer Dimensions

S700 Series

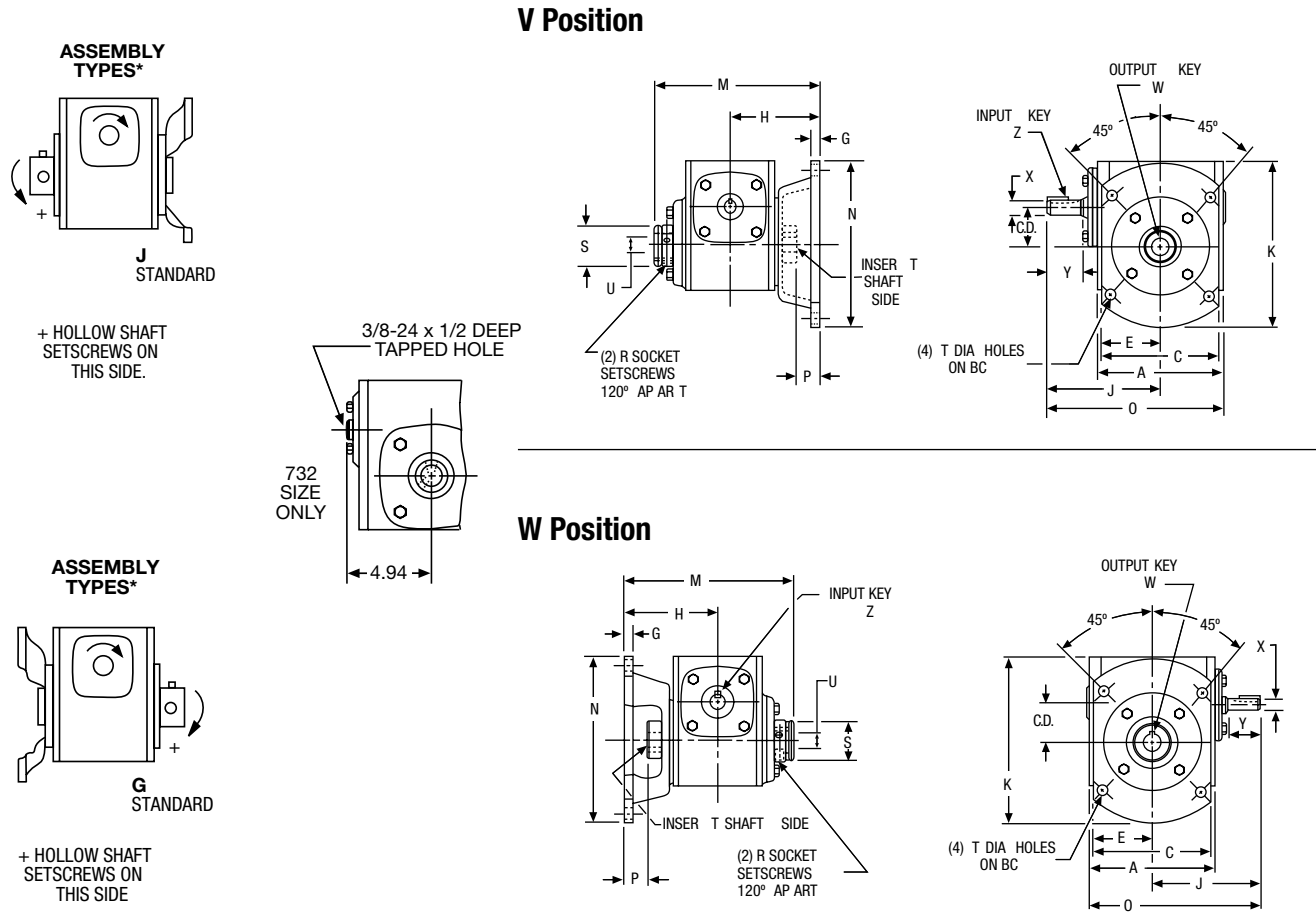
V/W Position Mounting Flange; Hollow Output Shaft

FOR ORDERING INFORMATION, see Page 16

FOR ADDITIONAL SIZES, See the H Series Page 49

FOR RATING INFORMATION, See Pages 17, 22-33

A



ALL DIMENSIONS IN INCHES

Size	C.D.	A	BC	C	E	G	H	J	K	M	N	O	P
718	1.75	5.50	5.88	4.88	2.44	.38	3.50	4.88	7.06	6.59	6.75	7.63	.91
721	2.06	6.00	6.50	5.75	2.88	.38	3.75	5.13	7.28	6.97	7.38	8.13	1.09
726	2.62	7.38	8.00	7.75	3.88	.38	4.06	6.31	9.50	7.56	8.88	10.19	1.09
732	3.25	9.00	10.00	9.00	4.50	.50	5.25	7.44	11.38	9.63	11.00	11.94	1.56

Size	R	S	T Holes	Low Speed Shaft		High Speed Shaft		Approx. Weight (LBS.)	Fan Kit No.**			
				U +.0015 -.0000	W-Key		X +.000 -.001			Y	Z-Key	
					Sq.	LENGTH					Sq.	Length
718	#10-32	1.38	11/32	1.000	See Page		.6245	1.56	3/16	13/16	24	—
721	1/4-28	1.50	13/32	1.125	128 For		.6245	1.56	3/16	13/16	28	—
726	1/4-28	2.16	13/32	1.4375	Key Information		.7495	2.00	3/16	1	51	—
732	5/16-24	2.56	9/16	1.9375			.8745	2.31	3/16	1	85	51450

* Assemblies define output (slow speed) shaft projection with respect to input (high speed) shaft and mounted surfaces, viewed from end of input shaft. Input may be rotated clockwise or counterclockwise. Arrows indicate relative rotation. See Assemblies and Mounting Positions, Page 19.

** For Fan Kits, see Page 130.