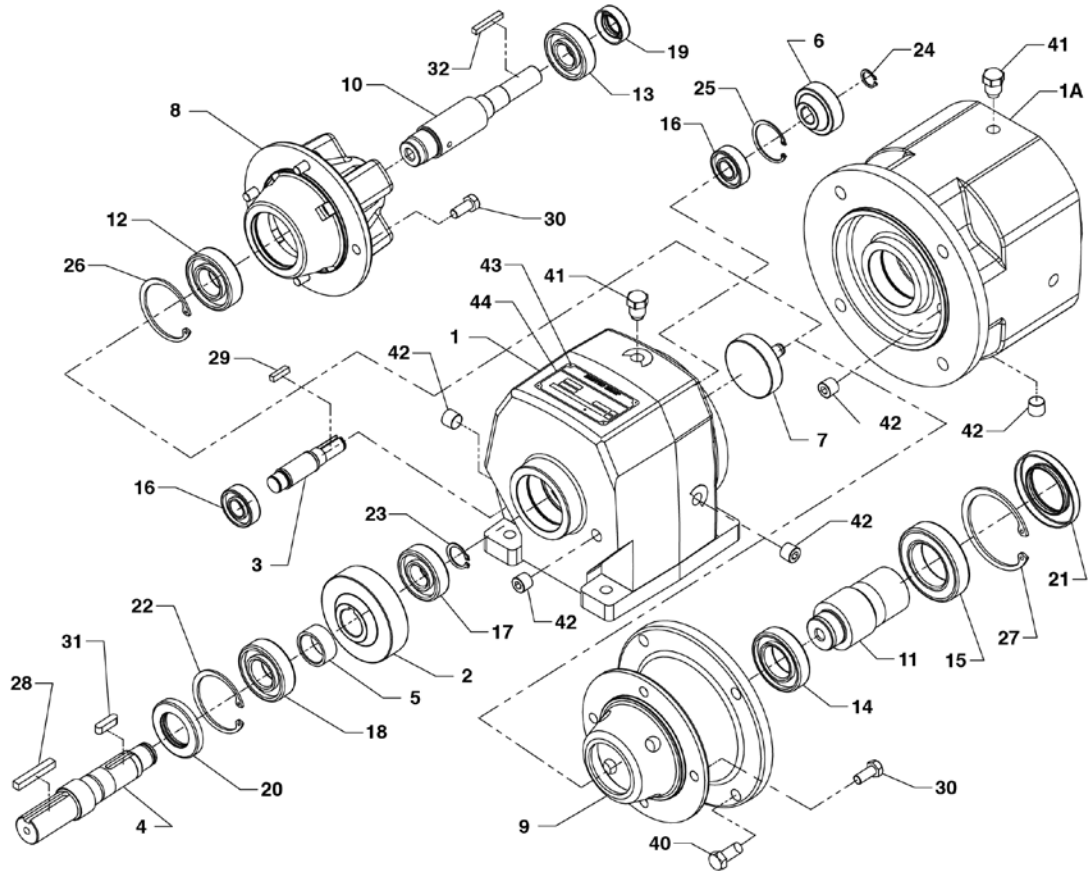
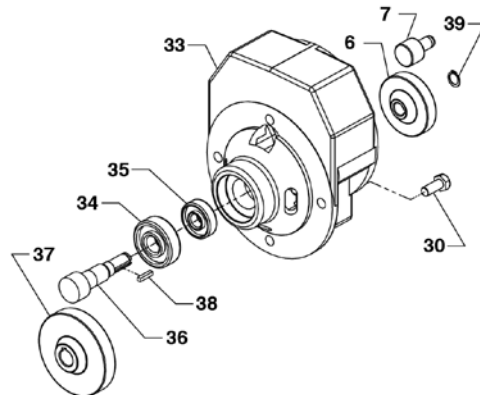


# 800 Series Parts List – In-Line Helical Gear Drives



Item No.	Description of Part
1	HOUSING, BASE MOUNT
1A	HOUSING, FLANGE MOUNT
2	HELICAL GEAR OUTPUT
3	HELICAL PINION, OUTPUT
4	OUTPUT SHAFT
5	OUTPUT SPACER
6	HELICAL GEAR, 1ST RED
7	HELICAL PINION, 1ST RED
8	INPUT BEARING CARRIER
9	MOTOR FLANGE (B5/B7-B9/B11)
10	INPUT REDUCER SHAFT
11	INPUT MOTOR SHAFT
12	BEARING, INPUT SHAFT (INBOARD)
13	BEARING, INPUT SHAFT (OUTBOARD)
14	BEARING, MOTOR SHAFT (INBOARD)
15	BEARING, MOTOR SHAFT (OUTBOARD)
16	BEARING, OUTPUT PINION
17	BEARING, OUTPUT SHAFT (INBOARD)
18	BEARING, OUTPUT SHAFT (OUTPUT)
19	OIL SEAL, INPUT REDUCTOR SHAFT
20	OIL SEAL, OUTPUT SHAFT
21	OIL SEAL, INPUT MOTOR SHAFT
22	RETAINING RING, OUTPUT (HOUSING)
23	RETAINING RING, OUTPUT (SHAFT)
24	RETAINING RING, OUTPUT PINION
25	RETAINING RING, OUTPUT PINION BORE
26	RETAINING RING, INPUT CARRIER
27	RETAINING RING, B5/B7-B9/B11 FLANGE
28	KEY, OUTPUT SHAFT PROJECTION
29	KEY, OUTPUT PINION
30	HEX HEAD CAP SCREWS

## Triple Module



Item No.	Description of Part
31	KEY, OUTPUT SHAFT
32	KEY, INPUT REDUCTOR
33	TRIPLE HOUSING ADAPTER
34	BEARING
35	BEARING
36	HELICAL PINION, 2ND REDUCTOR
37	HELICAL GEAR, 2ND REDUCTOR
38	KEY
39	RING
40	HEX HEAD CAP SCREW
41	PLUG, OIL VENT
42	PLUG, PIPE
43	NAMEPLATE TAPE
44	NAMEPLATE

