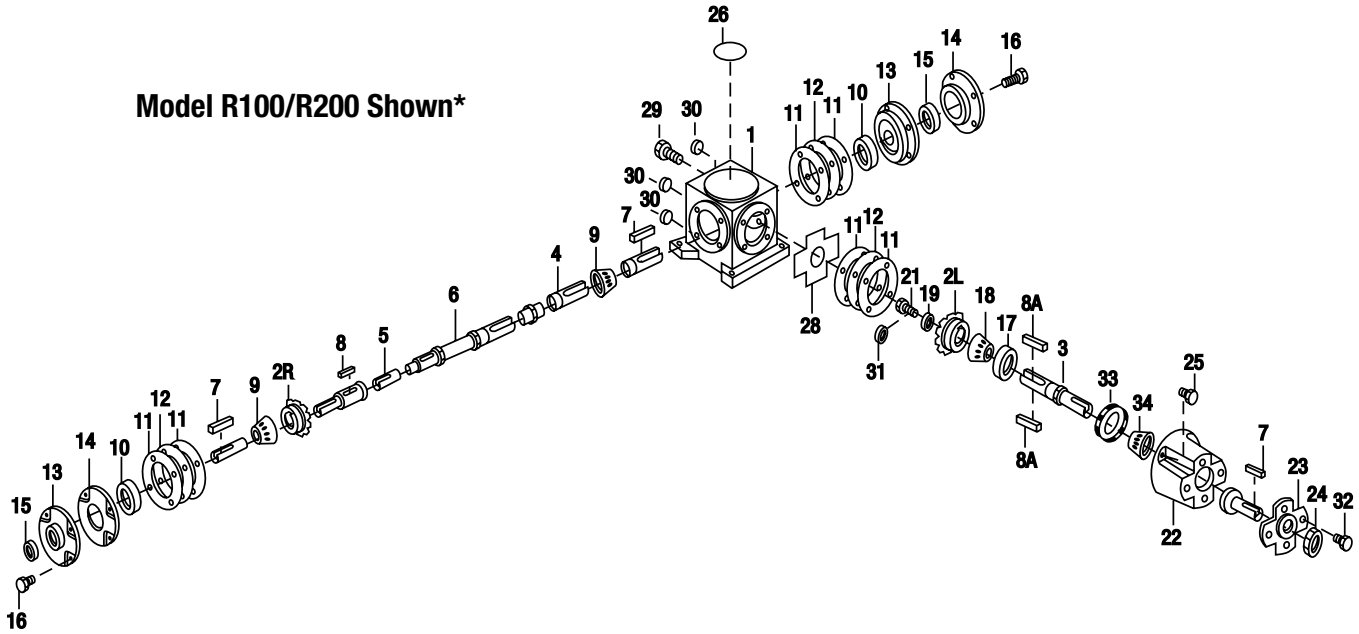


# R100/R200 Series & VR100/VR200 Series Parts List

Model R100/R200 Shown\*



M

## Part Ordering Information

Be sure to provide complete Boston Gear catalog number from speed reducer nameplate, along with part description and number.

\* **Note:** Models R100/R200 parts common to VR100/VR200.

Item No.	Description of Part	Item No.	Description of Part	Item No.	Description of Part
1	Basic Housing	10	Bearing Cup, Output	23	Input Bearing Retainer
1A	Basic Housing - VR Series	11	Shim	24	Oil Seal, Input
2R	Spiral Miter or Bevel Gear (RH)	12	Shim	25	Soc. Head Capscrew
2L	Spiral Miter Gear or Bevel Pinion (LH)	13	Output Bearing Carrier (O/E)	26	Small Nameplate
3	Input Shaft	14	Output Bearing Carrier (C/E)	28	Baffle
4	Output Shaft-Double Proj	15	Oil Seal, Output	29	Vented Oil Filler
5	Output Shaft-Single Proj	16	Hex Head Capscrews	30	Socket Pipe Plug
6	Output Shaft-Single Proj	17	Bearing Cup, Input	31	Locknut-R & VR 231
7	Key	18	Bearing Cone, Input	32	Socket Head Capscrew
8	Key, Gear	19	Input Shaft Washer	33	Bearing Cup, Input
8A	Key, Gear or Pinion	21	Input Shaft Hex Hd Capscrew	34	Bearing Cone, Input
9	Bearing Cone, Output	22	Input Shaft Bearing Carrier		