

Centrigard™ Overload Clutch

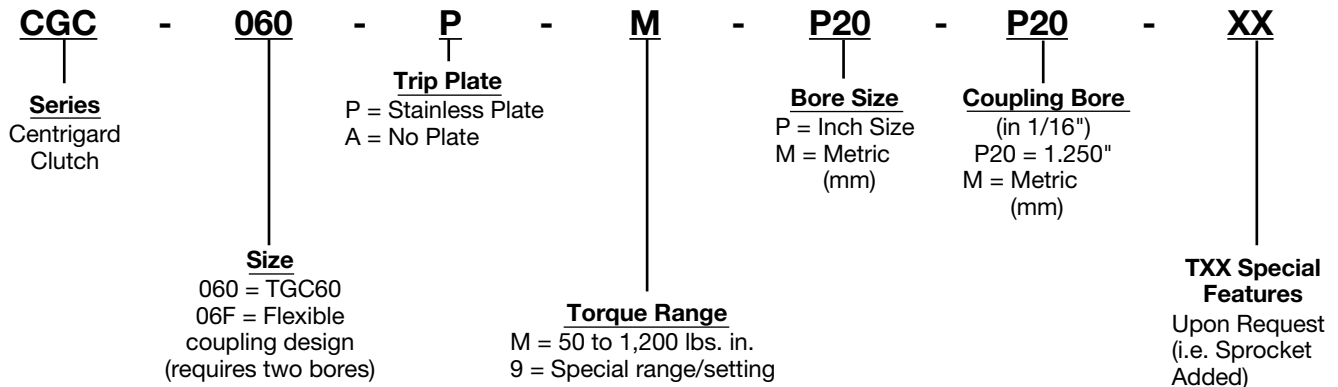
Centric products have long been known as the most durable overload clutches on the market. Today we have added a maintenance friendly clutch that provides zero backlash. This clutch will be ready to limit the transmitted torque no matter if the overload jam is once a year or many times per day.

Features

- Compact design with fewer components
- Widest torque range in its class: 50 to 1,200 in. lbs.
- Fully automatic reset
- Roller Detent
- Bi-directional single position clutch
- Hardened components rated for thousands of overloads
- Maximum torque limit stop
- Corrosion resistant hard-anodized housing
- Durable stainless steel limit switch plate/trip plate for remote overload detection
- Bored to size (1.250 inch max. bore size)
- Designed and manufactured in the U.S.A.
- Torq/Gard Interchange

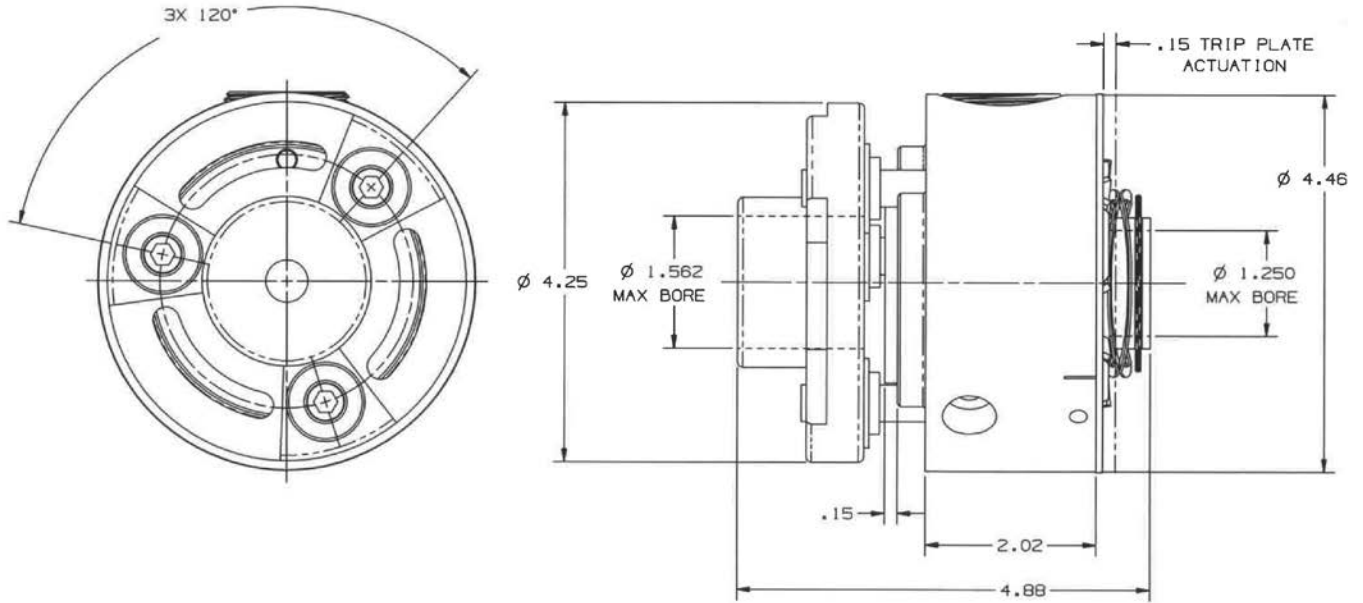


Centrigard Clutch Part Numbering System



Centrigard™ Overload Clutch

Type F Flexible Coupling



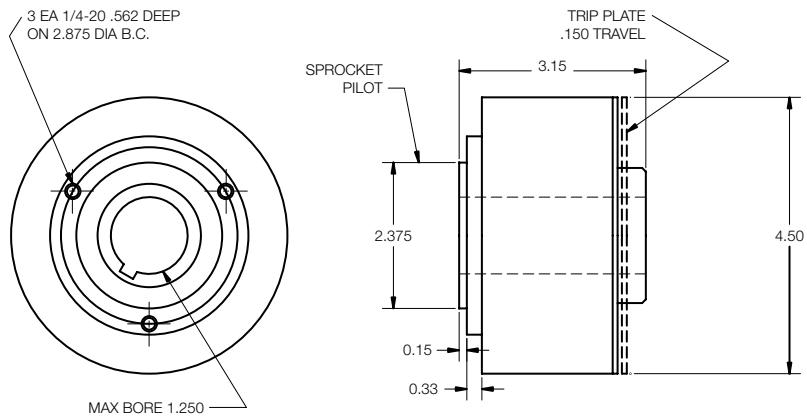
Clutch Size	Torque Code	Clutch Bore Max (in.)	Coupling Max. (2) Bore	Coupling Max. (1) Bore	Torque Range (Lb. In.)		Maximum RPM	Weight (lbs.)
					Min	Max		
060	M	1.25	1.562	1.500	50	1200	1000	5.0

Refer to page 96 for a complete list of bore codes.

(1) Square Key, (2) Flat Key

See ORC1 coupling on page 22 for misalignment limits.

Sprocket Mount



Minimum Acceptable Plate Sprocket Mounts

Clutch Size	Minimum Number of Teeth per Pitch Size				
	#35 3/8 Pitch	#40 1/2 Pitch	#50 5/8 Pitch	#60 3/4 Pitch	#80 1 Pitch
CGC060	31	24	20	17	14