



## TABLE OF CONTENTS

GENERAL INFORMATION .....	94
NEMA C-FACE DIMENSIONS .....	94
OPEN DRIPPROOF .....	95-96
TENV .....	97
TEFC .....	98-102
WASHDOWN/BISSC .....	103
BRAKE MOTORS .....	104-105
EXPLOSION PROOF .....	106
RIGID BASE .....	107
INVERTER DUTY .....	108-109

# AC MOTORS

Boston Gear AC motors are general purpose motors selected for use with Boston Gear Reducers and Flanged Reducers and are suitable for all common industrial applications.

**HORSEPOWER** — Motor's listed range from 1/20 to 75 HP. Larger HP motors can be supplied.

**VOLTAGES** — All motors listed are for 60 Hz (cycle) power; fractional HP motors are also stocked in 50 Hz single phase ratings.

**SINGLE-PHASE** motors are split phase 1/20 HP through 1/6 HP. Some 1/6 HP motors and all 1/4 HP motors and larger are capacitor start. Standard 60 Hz voltages are 115V, 230V or 115/230V. 50 Hz voltages are 110/220. NOTE: 50 Hz motors have a speed of 1425 RPM, nominal. Single phase 60 Hz motors cannot be used on 50 Hz power.

**POLYPHASE** motors are all NEMA design B induction motors. Standard 60 Hz voltages are 208-230/460 and 575V. 50 Hz Voltage are 220/380/440. NOTE: 50Hz motors have a speed of 1425 RPM nominal.

**MOUNTING** — Separate listings are shown for NEMA C-face mounted motors for use with flange reducers and rigid base mounted motors for coupled loads.

**SERVICE FACTORS** indicate the allowable overload on a motor. The service factors vary from motor to motor. Please consult factory for the service factor on any particular motor.

**ALLOWABLE STARTS AND STOPS**—based on no external inertia and each start from a standstill:

Three phase motors .....up to 20 times per min.  
 Single phase-split phase motors.....up to 20 times per hour  
 Single phase-capacitor motors .....up to 30 times per hour

NOTE: Motor enclosures description on page 81.

**BOSTON GEAR MOTOR CATALOG NUMBERS** consists generally of two or more letters denoting horsepower, voltage, enclosure and mounting for motors 1/6 HP and larger.

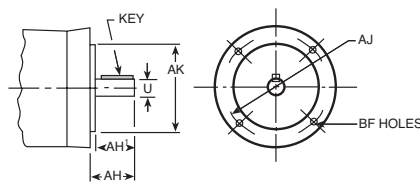
Prefix	H.P.	Voltage	Enclosure	Suffix	Manufacturer
A-Small Frame	A - 1/20	R 115/230-1-60	No letter-Dripproof	B-Brake	B-Balder
B-Rigid Base	AA - 1/12	S 115-1-60	T-TENV	35-3450 RPM	W-WEG
	B - 1/8	T 230-1-60	TF-TEFC	11-1150 RPM	
	C - 1/6	U 230/460-3-60	X-Explosion Proof		
	D - 1/4	Y 575-3-60	WB-Washdown BISSC		
	E - 1/3	R5 110/220-1-50	BC-TEBC		
	F - 1/2	S5 110-1-50			
	G - 3/4	T5 230-1-50			
	H - 1	U5 220/380/440-3-50			
	J - 1-1/2				
	K - 2				
	L - 3				
	M - 5				
	N - 7-1/2				
	P - 10				
	R - 15				
	S - 20				
	T - 25				
	U - 30				
	V - 40				
	W - 50				
	X - 60				
	Y - 75				
	Z - 100				

NOTE: A dash followed by a letter indicates the motor manufacturer eg -"B" - Baldor or "W"- -WEG  
 Example - FUTF-B 1/2 HP, 230/460-3 -60, TEFC, Baldor.

**REVERSING**—All listed motors are reversible with standard motor reversing switches or suitable manual or magnetic reversing starters. Single phase motors must stop before reversing; polyphase may be instantly reversed by reversing any two of the three incoming power leads with a suitable starter.

**AMBIENT TEMPERATURES** — All standard motors are rated for continuous full load operation at ambient temperatures not exceeding 40°C (104°F). The insulation used varies with motor design; therefore, when higher temperatures than normal are expected, please contact the factory with complete details i.e., maximum temperature, HP, enclosure, mounting, etc.

## NEMA C-Face Bolt Circle Dimensions

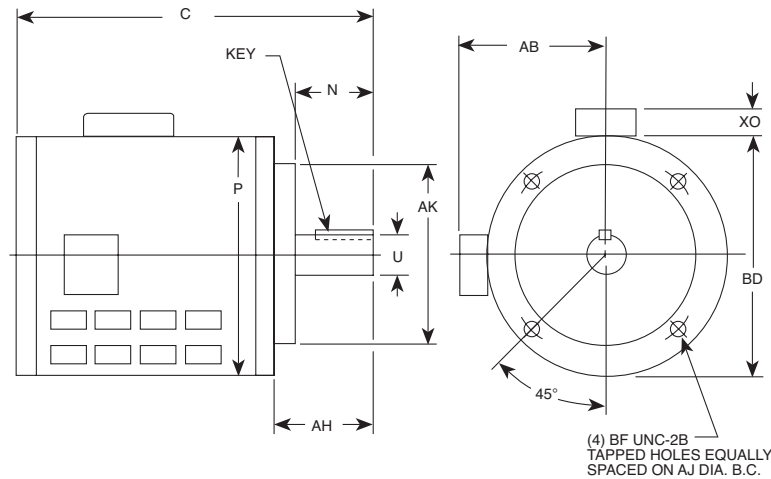


Boston Gear Bore Code	NEMA Frame No.	U	AK	Max. AH	Max. AH'	Key		AJ	BF
						Sq.	Lg.		
B4	42CZ	.5000	3.000	1-5/16	—	1/8	3/4	3.75	1/4-20
		.4995	2.997						
B5	56C	.6250	4.500	2-5/32	—	3/16	1-3/8	5.88	3/8-16
		.6245	4.497						
B7	182C	.8750	4.500	2-5/32	—	3/16	1-3/8	5.88	3/8-16
	184C								
	143TC 145T C								
B9	213C	1.1250	8.500	—	2-25/32	1/4	1-3/4	7.25	1/2-13
	215C								
	182TC 184TC								
B11	254UC	1.3750	8.500	—	3-17/32	5/16	2-3/8	7.25	1/2-13
	256UC								
	213TC 215TC								
B13	254TC	1.6250	8.500	—	3-13/16	3/8	2-7/8	7.25	1/2-13
	256TC	1.6240	8.497						

# AC MOTORS

110/220 VAC 1 $\phi$  50 Hz  
 115 VAC 1 $\phi$  60 Hz  
 115/230 VAC 1 $\phi$  60 Hz

Open Dripproof  
 NEMA C-Face  
 Single Phase  
 1/4–1-1/2 Horsepower



## ORDER BY CATALOG NUMBER OR ITEM CODE

HP	RPM	F.L.A. @Max Volts	NEMA Mtg	Bore Code	Catalog Number	Item Code	C	N	P	U +.0000 -.0005	Key		AB	AH	AJ	AK	BD	BF	XO	Wt. Lbs
											Sq.	Long								
<b>110/220 VAC 1<math>\phi</math> 50 Hz</b>																				
1/4	1425	2.8	56C	B5	DR5-B	66854	10.25	1.94	5.69	0.625	3/16	1.38	4.75	2.06	5.88	4.50	5.87	3/8-16	1.54	22
1/3	1425	3.2	56C	B5	ER5-B	66866	10.69	1.94	5.69	0.625	3/16	1.38	4.75	2.06	5.88	4.50	5.87	3/8-16	1.54	25
1/2	1425	4.4	56C	B5	FR5-B	66872	11.56	1.94	5.69	0.625	3/16	1.38	4.75	2.06	5.88	4.50	5.87	3/8-16	1.54	27
3/4	1425	6.5	56C	B5	GR5-B	66878	11.06	1.94	6.63	0.625	3/16	1.38	5.75	2.06	5.88	4.50	6.50	3/8-16	2.25	35
<b>115 VAC 1<math>\phi</math> 60 Hz</b>																				
1/20	1725	1.35	SP	SPL	AST-B	65403	8.98	0.93	3.86	0.313	See	Note	—	1.18	1.75	1.38	4.64	10/32	—	10
1/12	1725	2.0	SP	SPL	AAST-B	65402	8.98	0.93	3.86	0.313	See	Note	—	1.18	1.75	1.38	4.64	10/32	—	10
1/4	1725	2.7	56C	B5	DS	63316	8.88	1.94	5.61	0.625	3/16	1.38	—	2.06	5.88	4.50	5.61	3/8-16	1.94	16
1/4	1725	5.0	56C	B5	DS-B	66112	10.25	1.94	5.69	0.625	3/16	1.38	4.50	2.06	5.88	4.50	5.81	3/8-16	1.54	22
1/4	1725	5.3	56C	B5	DS-W	65220	9.65	1.91	5.71	0.625	3/16	1.10	—	2.06	5.88	4.50	5.75	3/8-16	—	19
<b>115/230 VAC 1<math>\phi</math> 60 Hz</b>																				
1/6	1725	2.0	56C	B5	CR-W	65221	9.65	1.91	5.71	0.625	3/16	1.10	—	2.06	5.88	4.50	5.75	3/8-16	—	18
1/6	1725	1.9	56C	B5	CR-B	85773	10.09	1.93	—	0.625	3/16	1.38	4.41	2.06	5.88	4.50	5.87	3/8-16	1.41	18
1/4	1725	2.7	56C	B5	DR	63315	8.88	1.94	5.61	0.625	3/16	1.38	—	2.06	5.88	4.50	5.61	3/8-20	1.94	16
1/4	1725	2.7	56C	B5	DR-W	65222	9.65	1.91	5.71	0.625	3/16	1.10	—	2.06	5.88	4.50	5.75	3/8-16	—	19
1/4	1725	2.5	56C	B5	DR-B	66109	10.25	1.94	5.69	0.625	3/16	1.38	4.88	2.06	5.88	4.50	5.81	3/8-16	1.54	22
1/3	1725	3.1	56C	B5	ER	63317	9.38	1.94	5.61	0.625	3/16	1.38	—	2.06	5.88	4.50	5.61	3/8-20	1.94	19
1/3	1725	3.1	56C	B5	ER-W	65223	10.55	1.91	5.71	0.625	3/16	1.10	—	2.06	5.88	4.50	5.45	3/8-16	—	22
1/3	1725	3.0	56C	B5	ER-B	66121	10.25	1.94	5.69	0.625	3/16	1.38	4.88	2.06	5.88	4.50	5.81	3/8-16	1.54	25
1/2	1725	4.4	56C	B5	FR	63318	9.88	1.94	5.61	0.625	3/16	1.38	—	2.06	5.88	4.50	5.81	3/8-20	1.94	19
1/2	1725	4.4	56C	B5	FR-W	65224	10.55	1.91	5.71	0.625	3/16	1.10	—	2.06	5.88	4.50	5.75	3/8-16	—	24
1/2	1725	4.2	56C	B5	FR-B	66130	11.56	1.94	5.69	0.625	3/16	1.38	4.75	2.06	5.88	4.50	5.87	3/8-16	1.54	27
3/4	1725	5.4	56C	B5	GR	63319	10.88	1.94	5.61	0.625	3/16	1.38	—	2.06	5.88	4.50	6.50	3/8-16	1.94	26
3/4	1725	5.6	56C	B5	GR-B	66139	11.56	1.94	6.63	0.625	3/16	1.38	5.88	2.06	5.88	4.50	6.50	3/8-16	2.25	34
1	1725	6.7	56C	B5	HR-5/8-B	19183	12.24	1.94	6.63	0.625	3/16	1.38	5.75	2.06	5.88	4.50	6.50	3/8-16	2.18	35
1	1725	6.5	143TC	B7	HR-B	66145	12.13	1.94	6.63	0.875	3/16	1.38	5.75	2.13	5.88	4.50	6.50	3/8-16	2.25	35
1-1/2	1725	9.0	145TC	B7	JR-B	66154	12.13	1.94	6.63	0.875	3/16	1.38	5.75	2.13	5.88	4.50	6.50	3/8-16	2.25	41

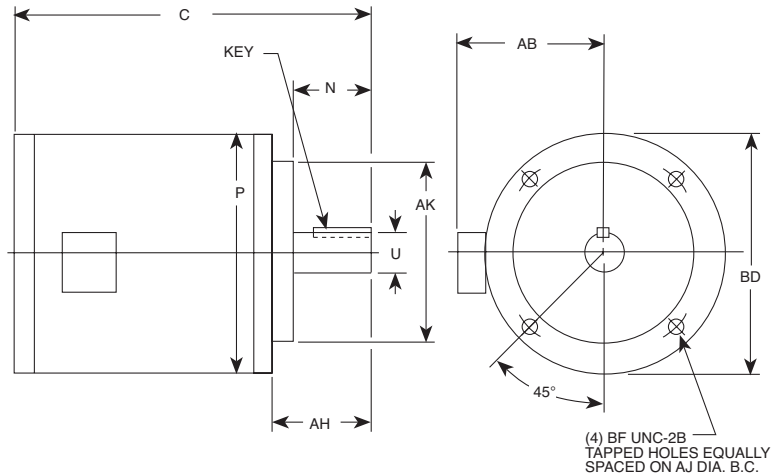
All Dimensions in Inches. Dimensional Information for Estimating Purposes Only  
 NOTE: #302.5 Woodruff Key (3/32 wide)

**BOSTON GEAR®**

# AC MOTORS

208-230/460 VAC 3Ø 60 Hz

Open Dripproof  
NEMA C-Face  
Three Phase  
1/6 – 20 Horsepower



## ORDER BY CATALOG NUMBER OR ITEM CODE

HP	RPM	F.L.A. @Max Volt	NEMA Mtg	Bore Code	Catalog Number	Item Code	C	N	P	U + .0000 - .0005	Key		AB	AH	AJ	AK	BD	BF	Wt. Lbs
											Sq.	Long							
<b>208 – 230/460 VAC 3Ø 60 Hz</b>																			
1/6	1725	0.45	56C	B5	CU-B	85774	10.10	1.93	—	0.625	3/16	1.38	4.41	2.06	5.88	4.50	5.87	3/8-16	19
1/6	1725	0.55	56C	B5	CU-W	65237	10.32	1.91	6.50	0.625	3/16	1.10	—	2.06	5.88	4.50	6.54	3/8-16	19
1/4	1725	0.65	56C	B5	DU	63531	9.38	1.94	5.61	0.625	3/16	1.38	—	2.06	5.88	4.50	5.61	3/8-16	16
1/4	1725	0.65	56C	B5	DU-W	65238	10.32	1.91	9.50	0.625	3/16	1.10	—	2.06	5.88	4.50	6.54	3/8-16	19
1/4	1725	0.65	56C	B5	DU-B	66115	10.25	1.94	5.69	0.625	3/16	1.38	4.88	2.06	5.88	4.50	5.88	3/8-16	18
1/3	1725	0.8	56C	B5	EU	63532	9.38	1.94	5.61	0.625	3/16	1.38	—	2.06	5.88	4.50	5.61	3/8-16	18
1/3	1725	0.8	56C	B5	EU-W	65239	10.32	1.91	6.50	0.625	3/16	1.10	—	2.06	5.88	4.50	6.54	3/8-16	19
1/3	1725	0.8	56C	B5	EU-B	66124	10.25	1.94	5.69	0.625	3/16	1.38	4.88	2.06	5.88	4.50	5.88	3/8-16	21
1/2	1725	1.0	56C	B5	FU	63533	9.88	1.94	5.61	0.625	3/16	1.38	—	2.06	5.88	4.50	5.61	3/8-16	20
1/2	1725	1.0	56C	B5	FU-W	65241	10.32	1.91	6.50	0.625	3/16	1.10	—	2.06	5.88	4.50	6.54	3/8-16	20
1/2	1725	1.0	56C	B5	FU-B	66133	10.31	1.94	5.69	0.625	3/16	1.38	4.75	2.06	5.88	4.50	5.88	3/8-16	22
3/4	1725	1.4	56C	B5	GU	63536	10.88	1.94	5.61	0.625	3/16	1.38	—	2.06	5.88	4.50	5.61	3/8-16	22
3/4	1725	1.4	56C	B5	GU-W	65243	11.10	1.91	6.50	0.625	3/16	1.10	—	2.06	5.88	4.50	6.54	3/8-16	24
3/4	1725	1.5	56C	B5	GU-B	66142	11.56	1.94	5.69	0.625	3/16	1.38	4.75	2.06	5.88	4.50	5.88	3/8-16	26
1	1725	1.7	56C	B5	HU-5/8	63537	10.88	1.94	6.53	0.625	3/16	1.38	—	2.06	5.88	4.50	5.88	3/8-16	31
1	1725	1.7	56C	B5	HU-5/8-W	65246	11.10	1.91	6.50	0.625	3/16	1.10	—	2.06	5.88	4.50	6.54	3/8-16	26
1	1725	1.7	56C	B5	HU-5/8-B	50427	11.06	1.94	6.63	0.625	3/16	1.38	5.63	2.06	5.88	4.50	6.50	3/8-16	33
1	1725	1.7	56C	B5	HU	63538	10.88	1.94	6.53	0.875	3/16	1.38	5.09	2.06	5.88	4.50	5.88	3/8-16	31
1	1725	1.7	143TC	B7	HU-B	66148	11.13	2.00	6.63	0.875	3/16	1.38	5.63	2.13	5.88	4.50	6.50	3/8-16	33
1-1/2	1725	2.3	145TC	B7	JU	63539	11.38	1.94	6.53	0.875	3/16	1.38	5.09	2.06	5.88	4.50	5.88	3/8-16	35
1-1/2	1725	2.4	145TC	B7	JU-B	66157	11.13	2.00	6.63	0.875	3/16	1.38	5.63	2.13	5.88	4.50	6.50	3/8-16	34
2	1725	3.1	145TC	B7	KU	63540	11.38	1.94	6.53	0.875	3/16	1.38	5.09	2.06	5.88	4.50	5.88	3/8-16	37
2	1725	3.2	145TC	B7	KU-B	66163	12.13	2.00	6.63	0.875	3/16	1.38	5.63	2.13	5.88	4.50	6.50	3/8-16	37
3	1725	4.4	182TC	B9	LU	63542	12.63	2.63	8.46	1.125	1/4	1.75	6.30	2.89	7.25	8.50	8.88	1/2-13	65
3	1725	4.3	182TC	B9	LU-B	66166	13.63	2.63	7.88	1.125	1/4	1.75	5.88	2.89	7.25	8.50	9.00	1/2-13	66
5	1725	7.2	182TC	B9	MU	63543	13.13	2.63	8.46	1.125	1/4	1.75	6.30	2.89	7.25	8.50	8.88	1/2-13	62
5	1725	7.0	184TC	B9	MU-B	66170	15.00	2.63	7.88	1.125	1/4	1.75	5.88	2.89	7.25	8.50	9.00	1/2-13	80
7-1/2	1725	11.0	213TC	B11	NU-B	66174	17.06	3.13	9.58	1.375	5/16	2.38	7.38	3.38	7.25	8.50	9.00	1/2-13	114
10	1725	14.0	215TC	B11	PU-B	66176	17.06	3.13	9.96	1.375	5/16	2.38	7.38	3.38	7.25	8.50	9.00	1/2-13	118
15	1760	19.9	254TC	B13	RU-B	66180	20.00	3.75	11.50	1.625	3/8	2.88	8.94	4.00	7.25	8.50	9.13	1/2-13	220
20	1760	26.0	256TC	B13	SU-B	66184	21.50	3.75	11.50	1.625	3/8	2.88	8.94	4.00	7.25	8.50	9.13	1/2-13	261

All dimensions in inches. Dimensional information for estimating purposes only.

# AC MOTORS

115/230 1 $\phi$  60 Hz  
208 – 230/460 3 $\phi$  60 Hz

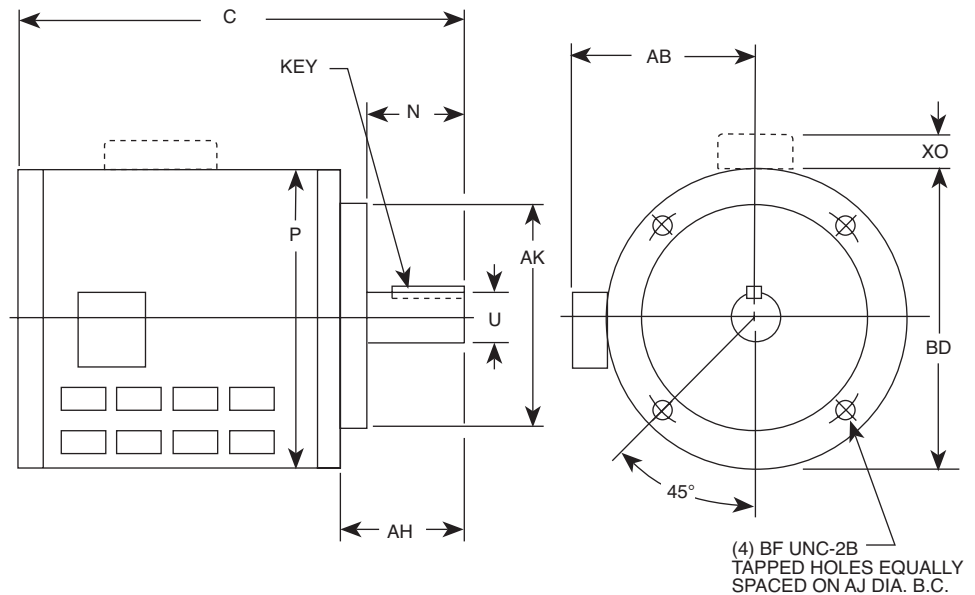
TENV

NEMA C-Face

Single and Three Phase

1/6 – 1/2 Horsepower

1725 RPM



### ORDER BY CATALOG NUMBER OR ITEM CODE

HP	RPM	F.L.A. @ Max Volt	NEMA Mtg.	Bore Code	Catalog Number	Item Code	C	N	P	U +.0000 -.0005	Key		AB	AH	AJ	AK	BD	BF	XO	Wt. Lbs.
											Sq.	Long								
<b>115/230 VAC 1<math>\phi</math> 60 Hz</b>																				
1/6	1725	2.1	56C	B5	CRT-B	85775	10.25	1.94	—	0.625	3/16	1.38	4.90	2.06	5.88	4.50	5.81	3/8-16	1.50	23
1/6	1725	1.7	42CZ	B4	ACRT-W	65320	8.29	1.10	—	0.500	1/8	0.98	4.23	1.26	3.75	3.00	4.80	1/4-20	—	14.1
1/4	1725	2.4	56C	B5	DRT	63544	9.94	1.94	6.53	0.625	3/16	1.38	—	2.06	5.88	4.50	5.88	3/8-16	1.97	27
1/4	1725	2.7	42CZ	B4	ADRT-W	65325	9.67	1.10	—	0.500	1/8	0.98	4.23	1.26	3.75	3.00	4.80	1/4-20	—	18.3
1/3	1725	2.9	56C	B5	ERT	63732	9.94	1.94	6.53	0.625	3/16	1.38	—	2.06	5.88	4.50	5.88	3/8-16	1.97	29
1/3	1725	3.8	42CZ	B4	AERT-W	65346	9.43	1.10	—	0.500	1/8	0.98	4.704	1.26	3.75	3.00	5.75	1/4-20	—	18.3
<b>208 – 230/460 VAC 3<math>\phi</math> 60 Hz</b>																				
1/6	1725	0.6	42CZ	B4	ACUT-B	69728	8.52	1.14	—	0.500	1/8	0.88	4.03	1.26	3.75	3.00	4.62	1/4-20	—	17
1/6	1725	0.4	56C	B5	CUT-B	85776	10.25	1.94	5.68	0.625	3/16	1.38	4.51	2.06	5.88	4.50	5.81	3/8-16	—	19
1/6	1725	0.5	42CZ	B4	ACUT-W	65368	7.89	1.10	—	0.500	1/8	0.98	4.65	1.26	3.75	3.00	4.80	1/4-20	—	17
1/4	1725	0.6	56C	B5	DUT	63801	9.44	1.94	5.61	0.625	3/16	1.38	—	2.06	5.88	4.50	5.61	3/8-16	—	16
1/4	1725	0.6	42CZ	B4	ADUT-W	65374	8.65	1.10	—	0.500	1/8	0.98	4.65	1.26	3.75	3.00	4.80	1/4-20	—	17
1/3	1725	0.65	56C	B5	EUT	63952	9.44	1.94	6.53	0.625	3/16	1.38	—	2.06	5.88	4.50	5.88	3/8-16	—	20
1/3	1725	0.7	42CZ	B4	AEUT-W	65381	8.65	1.10	—	0.500	1/8	0.98	4.65	1.26	3.75	3.00	4.80	1/4-20	—	18
1/2	1725	1.0	56C	B5	FUT	63959	10.44	1.94	6.53	0.625	3/16	1.38	—	2.06	5.88	4.50	5.88	3/8-16	—	25

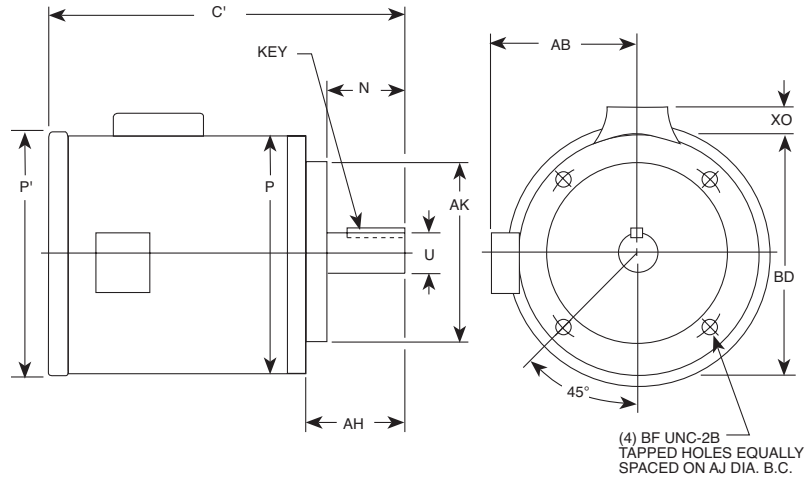
All dimensions in inches. Dimensional information for estimating purposes only.

# AC MOTORS

115/230 VAC 1 $\phi$  60 Hz



**TEFC**  
**NEMA C-Face**  
**Single Phase**  
**1/6 – 1 1/2 Horsepower**  
**1725 RPM**



**ORDER BY CATALOG NUMBER OR ITEM CODE**

HP	RPM	F.L.A. @ Max. Volt	NEMA Mtg.	Bore Code	Catalog Number	Item Code	C'	N	P	P'	U +.0000 -.0005	Key		AB	AH	AJ	AK	BD	BF	XO	Wt. Lbs.
												Sq.	Lg.								
<b>115/230 VAC 1<math>\phi</math> 60 Hz</b>																					
1/6	1725	1.9	42CZ	B4	ACRTF-B	69725	9.31	1.15	4.69	5.19	0.500	1/8	0.75	4.03	1.28	3.75	3.00	4.63	1/4-20	1.66	20
1/6	1725	1.9	56C	B5	CRTF-B	85777	11.35	1.93	6.19	—	0.625	3/16	1.38	4.90	2.06	5.88	4.50	5.81	3/8-16	1.56	19
1/6	1725	2.0	56C	B5	CRTF-W	65315	11.10	1.91	—	7.32	0.625	3/16	1.10	5.43	2.06	5.87	4.50	6.54	3/8-16	—	20
1/4	1725	2.3	42CZ	B4	ADRTF-B	69726	10.31	1.15	4.69	5.19	0.500	1/8	0.75	4.03	1.28	3.75	3.00	4.63	1/4-20	1.66	21
1/4	1725	2.7	56C	B5	DRTF-W	65326	11.10	1.91	—	7.32	0.625	3/16	1.10	5.43	2.06	5.87	4.50	6.54	3/8-16	—	20
1/4	1725	2.5	56C	B5	DRTF-B	66199	11.38	1.94	5.69	6.19	0.625	3/16	1.38	4.89	2.06	5.88	4.50	5.88	3/8-16	1.97	34
1/4	1725	2.2	56C	B5	DR5TF-W	65346	11.10	1.91	—	—	0.625	3/16	1.10	5.43	2.06	5.87	4.50	6.54	3/8-16	—	23
1/4	1725	2.7	56C	B5	DRTF	63545	9.81	1.94	5.61	5.88	0.625	3/16	1.38	4.87	2.06	5.88	4.50	5.61	3/8-16	2.00	20
1/4	1725	5.0	56C	B5	DSTF-B*	66202	11.38	1.94	5.69	6.19	0.625	3/16	1.38	4.89	2.06	5.88	4.50	5.81	3/8-16	1.54	23
1/3	1725	3.1	42CZ	B4	AERTF-B	69727	10.31	1.15	4.69	5.19	0.500	1/8	0.75	4.03	1.28	3.75	3.00	4.63	1/4-20	1.66	23
1/3	1725	3.2	56C	B5	ERTF-W	65348	11.10	1.91	—	7.32	0.625	3/16	1.10	5.43	2.06	5.87	4.50	6.54	3/8-16	—	22
1/3	1725	3.0	56C	B5	ERTF-B	66211	11.38	1.94	5.69	6.19	0.625	3/16	1.38	4.89	2.06	5.88	4.50	5.81	3/8-16	1.54	26
1/3	1725	3.2	56C	B5	ERTF	63750	10.94	1.94	6.53	7.16	0.625	3/16	1.38	5.09	2.06	5.88	4.50	5.88	3/8-16	1.97	29
1/2	1725	4.4	56C	B5	FRTF	65350	10.94	1.94	6.53	7.16	0.625	3/16	1.38	5.09	2.06	5.88	4.50	5.88	3/8-16	1.97	26
1/2	1725	3.7	56C	B5	FRTF-B	66219	12.00	1.94	5.69	6.19	0.625	3/16	1.38	4.89	2.06	5.88	4.50	5.81	3/8-16	1.54	30
3/4	1725	5.8	56C	B5	GRTF-W	65351	11.102	1.91	—	7.32	0.625	3/16	1.10	5.43	2.06	5.87	4.50	6.54	3/8-16	—	28
3/4	1725	5.5	56C	B5	GRTF-B	66228	13.31	1.94	6.63	7.19	0.625	3/16	1.38	5.63	2.06	5.88	4.50	6.50	3/8-16	2.25	42
3/4	1725	5.8	56C	B5	GRTF	63755	11.44	1.94	6.53	7.16	0.625	3/16	1.38	5.09	2.06	5.88	4.50	5.88	3/8-16	1.97	30
1	1725	6.4	56C	B5	HRTF-5/8-W	65354	12.28	1.91	—	7.32	0.625	3/16	1.10	5.43	2.06	5.87	4.50	6.54	3/8-16	—	34
1	1725	6.2	56C	B5	HRTF-5/8-B	19178	13.31	1.94	6.63	7.19	0.625	3/16	1.38	5.75	2.06	5.88	4.50	5.88	3/8-16	1.97	34
1	1725	6.4	56C	B5	HRTF-5/8	63795	11.94	1.94	6.53	7.19	0.625	3/16	1.38	5.09	2.06	5.88	4.50	5.88	3/8-16	1.97	34
1	1740	6.4	143TC	B7	HRTF	63797	11.94	1.94	6.53	7.16	0.875	3/16	1.38	5.09	2.06	5.88	4.50	6.50	3/8-16	2.25	47
1	1725	6.2	143TC	B7	HRTF-B	66234	13.38	2.00	6.63	7.19	0.875	3/16	1.38	5.75	2.13	5.88	4.50	5.88	3/8-16	1.78**	47
1-1/2	1740	8.6	145TC	B7	JRTF	63800	12.44	1.94	6.53	7.16	0.875	3/16	1.38	5.09	2.06	5.88	4.50	6.50	3/8-16	2.25	58
1-1/2	1725	8.0	145TC	B7	JRTF-B	66243	14.25	2.00	6.63	7.19	0.875	3/16	1.38	5.75	2.13	5.88	4.50	5.88	3/8-16	1.97	34

\*115 VAC Single Phase 60 Hz only  
 All dimensions in inches. Dimensional information for estimating purposes only.

\*\*Two capacitors

# AC MOTORS

208-230/460 VAC 3 $\phi$  60 Hz

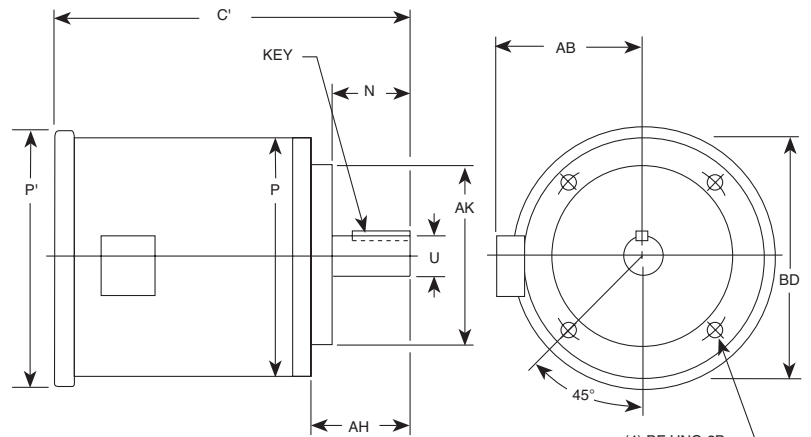
TEFC

NEMA C-Face

Three Phase

1/6 – 1 Horsepower

1725 RPM



ORDER BY CATALOG NUMBER OR ITEM CODE

HP	RPM	F.L.A. @ Max. Volt	NEMA Mtg.	Bore Code	Catalog Number	Item Code	C'	N	P	P'	U + .0000 - .0005	Key		AB	AH	AJ	AK	BD	BF	Wt. Lbs.
												Sq.	Long							
208-230/460 VAC 3 $\phi$ 60 Hz																				
1/6	1725	0.55	56C	B5	CUTF-W	65371	11.10	1.91	—	7.32	0.625	3/16	1.10	5.43	2.06	5.87	4.50	6.54	3/8-16	19
1/6	1725	0.45	56C	B5	CUTF-B	85778	11.35	1.93	—	6.19	0.625	3/16	1.38	4.90	2.06	5.88	4.50	5.81	3/8-16	19
1/4	1725	0.60	42CZ	B4	ADUTF-B	69729	10.31	1.15	4.69	5.19	0.500	1/8	0.75	4.03	1.28	3.75	3.00	4.63	1/4-20	21
1/4	1725	0.65	56C	B5	DUTF-W	65380	11.10	1.91	—	7.32	0.625	3/16	1.10	5.43	2.06	5.87	4.50	6.54	3/8-16	20
1/4	1725	0.65	56C	B5	DUTF-B	66205	11.38	1.94	5.69	6.19	0.625	3/16	1.38	4.89	2.06	5.88	4.50	5.81	3/8-16	19
1/4	1725	0.70	56C	B5	DUTF	63949	9.81	1.94	5.61	5.88	0.625	3/16	1.38	4.87	2.06	5.88	4.50	5.61	3/8-16	18
1/3	1725	0.70	42CZ	B4	AEUTF-B	69730	10.31	1.15	4.69	5.19	0.500	1/8	0.75	4.03	1.28	3.75	3.00	4.63	1/4-20	21
1/3	1725	0.65	56C	B5	EUTF-W	65383	11.10	1.91	—	7.32	0.625	3/16	1.10	5.43	2.06	5.87	4.50	6.54	3/8-16	22
1/3	1725	0.65	56C	B5	EUTF	63958	10.94	1.94	6.53	7.16	0.625	3/16	1.38	5.09	2.06	5.88	4.50	5.88	3/8-16	20
1/3	1725	0.80	56C	B5	EUTF-B	66214	11.38	1.94	5.69	6.19	0.625	3/16	1.38	4.89	2.06	5.88	4.50	5.81	3/8-16	19
1/2	1725	1.0	56C	B5	FUTF-W	65404	11.10	1.91	—	7.32	0.625	3/16	1.10	5.43	2.06	5.87	4.50	6.54	3/8-16	24
1/2	1725	1.0	56C	B5	FUTF-B	66223	11.38	1.94	5.69	6.19	0.625	3/16	1.38	4.89	2.06	5.88	4.50	5.81	3/8-16	22
1/2	1725	1.0	56C	B5	FUTF	63961	10.94	1.94	6.53	7.16	0.625	3/16	1.38	5.09	2.06	5.88	4.50	5.88	3/8-16	25
3/4	1725	1.4	56C	B5	GUTF-W	65405	11.10	1.91	—	7.32	0.625	3/16	1.10	5.43	2.06	5.87	4.50	6.54	3/8-16	27
3/4	1725	1.5	56C	B5	GUTF-B	66231	11.38	1.94	5.69	6.19	0.625	3/16	1.38	4.89	2.06	5.88	4.50	5.81	3/8-16	32
3/4	1725	1.4	56C	B5	GUTF	63979	11.44	1.94	6.53	7.16	0.625	3/16	1.38	5.09	2.06	5.88	4.50	5.88	3/8-16	26
1	1725	1.7	56C	B5	HUTF-5/8-W	65406	12.28	1.91	—	7.32	0.625	3/16	1.42	5.43	2.06	5.87	4.50	6.54	3/8-16	31
1	1725	1.7	56C	B5	HUTF-5/8-B	50428	12.31	1.94	6.63	7.19	0.625	3/16	1.38	5.75	2.06	5.88	4.50	6.50	3/8-16	35
1	1725	1.7	56C	B5	HUTF-5/8	63980	11.94	1.94	6.63	7.19	0.625	3/16	1.38	5.09	2.06	5.88	4.50	5.88	3/8-16	33
1	1740	1.7	143TC	B7	HUTF-W	65412	13.07	1.97	—	7.32	0.875	3/16	1.42	5.433	2.13	5.87	4.50	6.54	3/8-16	31
1	1725	1.7	143TC	B7	HUTF-B	66237	12.38	2.00	6.63	7.19	0.875	3/16	1.38	5.75	2.13	5.88	4.50	6.50	3/8-16	35
1	1725	1.8	143TC	B7	HUTF	63981	11.63	1.94	6.53	7.16	0.875	3/16	1.38	5.09	2.06	5.88	4.50	5.88	3/8-16	33

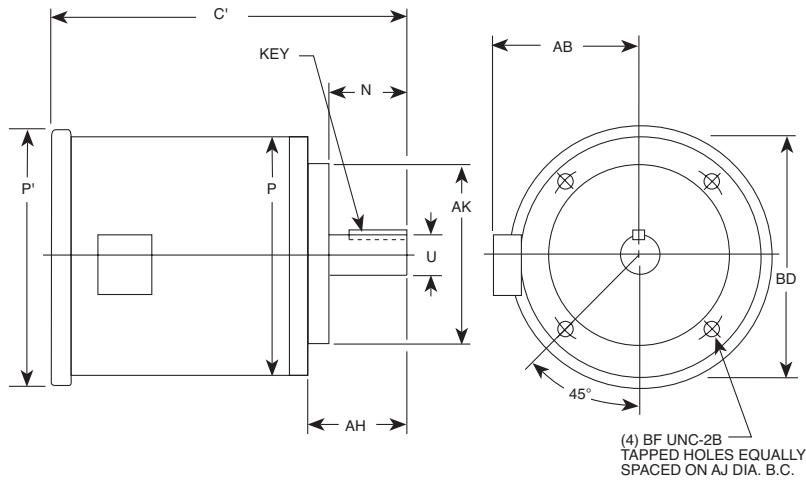
All dimensions in inches. Dimensional information for estimating purposes only.

# AC MOTORS

208-230/460 VAC 3 $\phi$  60 Hz



**TEFC**  
**NEMA C-Face**  
**Three Phase**  
**1-1/2 – 20 Horsepower**  
**1725 RPM**



ORDER BY CATALOG NUMBER OR ITEM CODE

HP	RPM	F.L.A. @ Max. Volt	NEMA Mtg.	Bore Code	Catalog Number	Item Code	C'	N	P	P'	U + .0000 - .0005	Key		AB	AH	AJ	AK	BD	BF	Wt. Lbs.
												Sq.	Long							
<b>208-230/460 VAC 3<math>\phi</math> 60 Hz</b>																				
1-1/2	1725	2.3	56C	B5	JUTF-5/8-W	65407	12.28	1.91	—	7.32	0.625	3/16	1.10	5.43	2.06	5.87	4.50	6.54	3/8-16	35
1-1/2	1725	2.5	56C	B5	JUTF-5/8-B	19784	12.31	1.94	6.63	7.19	0.625	3/16	1.38	5.75	2.06	5.88	4.50	6.50	3/8-16	37
1-1/2	1725	2.3	56C	B5	JUTF-5/8	63988	12.44	1.94	6.53	7.16	0.625	3/16	1.38	5.09	2.06	5.88	4.50	5.88	3/8-16	37
1-1/2	1740	2.3	145TC	B7	JUTF-W	65437	13.07	1.97	—	7.32	0.875	3/16	1.42	5.43	2.13	5.87	4.50	6.54	3/8-16	35
1-1/2	1725	2.0	145TC	B7	JUTF-B	66246	12.38	2.00	6.63	7.19	0.875	3/16	1.38	5.75	2.13	5.88	4.50	6.50	3/8-16	37
1-1/2	1725	2.4	145TC	B7	JUTF	64281	12.44	1.94	6.53	7.16	0.875	3/16	1.38	5.09	2.06	5.88	4.50	5.88	3/8-16	37
2	1725	3.1	56C	B5	KUTF-5/8	64769	12.44	1.94	6.63	7.16	0.625	3/16	1.38	5.09	2.06	5.88	4.50	5.88	3/8-16	42
2	1725	3.1	56C	B5	KUTF-5/8-W	65440	13.46	1.91	—	7.32	0.625	3/16	1.10	5.43	2.06	5.87	4.50	6.54	3/8-16	43
2	1725	3.1	56C	B5	KUTF-5/8-B	19785	13.31	1.94	6.63	7.19	0.625	3/16	1.38	5.75	2.06	5.88	4.50	6.50	3/8-16	42
2	1740	3.1	145TC	B7	KUTF-W	65445	14.25	1.97	—	7.32	0.875	3/16	1.42	5.43	2.13	5.87	4.50	6.54	3/8-16	43
2	1725	3.1	145TC	B7	KUTF-B	66252	13.38	2.00	6.63	7.19	0.875	3/16	1.38	5.75	2.13	5.88	4.50	6.50	3/8-16	45
2	1725	3.1	145TC	B7	KUTF	64770	12.44	1.94	6.53	7.16	0.875	3/16	1.38	5.09	2.06	5.88	4.50	5.88	3/8-16	42
3	1740	3.9	182TC	B9	LUTF-W	65446	15.86	2.38	—	—	1.125	1/4	1.97	6.61	2.63	7.25	8.50	8.88	1/2-13	73
3	1725	4.3	182TC	B9	LUTF-B	66258	15.18	2.63	7.88	8.50	1.125	1/4	1.75	5.88	2.89	7.25	8.50	9.00	1/2-13	94
3	1725	4.4	182TC	B9	LUTF	64771	13.91	2.63	8.46	9.09	1.125	1/4	1.75	6.36	2.89	7.25	8.50	8.58	1/2-13	65
5	1740	6.7	184TC	B9	MUTF-W	65448	15.86	2.38	—	—	1.125	1/4	1.97	6.61	2.63	7.25	8.50	8.88	1/2-13	80
5	1725	6.6	184TC	B9	MUTF-B	66262	16.56	2.63	7.88	8.50	1.125	1/4	1.75	5.88	2.89	7.25	8.50	8.88	1/2-13	84
5	1725	6.7	184TC	B9	MUTF	64772	14.91	2.63	8.46	9.09	1.125	1/4	1.75	6.36	2.89	7.25	8.50	9.00	1/2-13	102
7-1/2	1725	10.0	213TC	B11	NUTF-B	66266	18.69	3.13	9.56	10.19	1.375	5/16	2.38	7.38	3.38	7.25	8.50	9.00	1/2-13	113
10	1725	13.0	215TC	B11	PUTF-B	66270	19.44	3.13	9.56	10.19	1.375	5/16	2.38	7.38	3.38	7.25	8.50	9.00	1/2-13	146
15	1725	19.6	254TC	B13	RUTF-B	66274	22.00	3.75	12.94	13.25	1.625	3/8	2.38	9.63	4.00	7.25	8.50	9.13	1/2-13	312
20	1725	26.0	256TC	B13	SUTF-B	66278	22.00	3.75	12.94	13.25	1.625	3/8	2.38	9.63	4.00	7.25	8.50	9.13	1/2-13	312

All dimensions in inches. Dimensional information for estimating purposes only.



# AC MOTORS

575 VAC 3ø 60 Hz

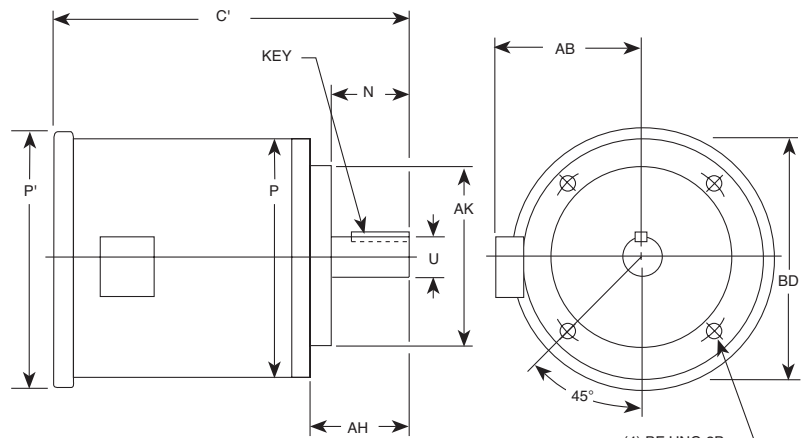
TEFC

NEMA C-Face

Three Phase

1/4 – 5 Horsepower

1725 RPM



(4) BF UNC-2B TAPPED HOLES EQUALLY SPACED ON AJ DIA. B.C.

## ORDER BY CATALOG NUMBER OR ITEM CODE

HP	RPM	F.L.A. @ Max. Volt	NEMA Mtg.	Bore Code	Catalog Number	Item Code	C'	N	P	P'	U +.0000 -.0005	Key		AB	AH	AJ	AK	BD	BF	Wt. Lbs.
												Sq.	Long							
<b>575 VAC 3ø 60 Hz</b>																				
1/4	1725	0.56	56C	B5	DYTF	64963	9.81	1.94	5.61	5.88	0.625	3/16	1.38	4.87	2.06	5.88	4.50	5.61	3/8-16	18
1/4	1725	0.48	56C	B5	DYTF-B	66208	11.38	1.94	5.69	6.13	0.625	3/16	1.38	4.89	2.06	5.88	4.50	5.81	3/8-16	19
1/3	1725	0.52	56C	B5	EYTF-W	65454	11.10	1.91	—	7.32	0.625	3/16	1.10	5.43	2.06	5.87	4.50	6.54	3/8-16	22
1/3	1725	0.64	56C	B5	EYTF-B	66217	11.38	1.94	5.69	6.19	0.625	3/16	1.38	4.89	2.06	5.88	4.50	5.81	3/8-16	19
1/2	1725	0.80	56C	B5	FYTF-W	65455	11.10	1.91	—	7.32	0.625	3/16	1.10	5.43	2.06	5.87	4.50	6.54	3/8-16	24
1/2	1725	0.80	56C	B5	FYTF-B	66226	11.38	1.94	5.69	6.19	0.625	3/16	1.38	4.89	2.06	5.88	4.50	5.81	3/8-16	22
3/4	1725	1.1	56C	B5	GYTF-W	65457	11.10	1.91	—	7.32	0.625	3/16	1.10	5.43	2.06	5.87	4.50	6.54	3/8-16	27
3/4	1725	1.2	56C	B5	GYTF-B	66831	12.31	1.94	6.63	7.19	0.625	3/16	1.38	5.75	2.06	5.88	4.50	6.50	3/8-16	32
1	1725	1.4	56C	B5	HYTF-5/8-B	19179	12.31	1.94	6.63	7.19	0.625	3/16	1.38	5.75	2.06	5.88	4.50	6.50	3/8-16	35
1	1740	1.4	143TC	B7	HYTF-W	65460	13.07	1.97	—	7.32	0.875	3/16	1.42	5.43	2.13	5.87	4.50	6.54	3/8-16	31
1	1725	1.4	143TC	B7	HYTF-B	66240	12.38	2.00	6.63	7.19	0.875	3/16	1.38	5.75	2.13	5.88	4.50	6.50	3/8-16	35
1-1/2	1740	1.9	145TC	B7	JYTF-W	65475	13.07	1.97	—	7.32	0.875	3/16	1.42	5.43	2.13	5.84	4.50	6.54	3/8-16	35
1-1/2	1725	1.9	145TC	B7	JYTF-B	66249	12.38	2.00	6.63	7.19	0.875	3/16	1.38	5.75	2.13	5.88	4.50	6.50	3/8-16	37
2	1740	2.5	145TC	B7	KYTF	64950	12.44	1.94	6.53	7.16	0.875	3/16	1.38	5.09	2.06	5.88	4.50	5.88	3/8-16	37
2	1725	2.5	145TC	B7	KYTF-B	66255	13.38	2.00	6.63	7.19	0.875	3/16	1.38	5.75	2.13	5.88	4.50	6.50	3/8-16	45
3	1740	3.5	182TC	B9	LYTF	64954	13.91	2.63	8.46	9.09	1.125	1/4	1.75	6.36	2.88	7.25	8.50	8.58	1/2-13	60
3	1725	3.6	182TC	B9	LYTF-B	66260	15.18	2.63	7.88	8.50	1.125	1/4	1.75	5.88	2.88	7.25	8.50	9.00	1/2-13	94
5	1740	5.4	184TC	B9	MYTF	64955	14.91	2.63	8.46	9.09	1.125	1/4	1.75	6.36	2.88	7.25	8.50	8.58	1/2-13	77
5	1725	5.3	184TC	B9	MYTF-B	66264	16.56	2.63	7.88	8.50	1.125	1/4	1.75	5.88	2.88	7.25	8.50	9.00	1/2-13	102

All dimensions in inches. Dimensional information for estimating purposes only.

**BOSTON GEAR®**

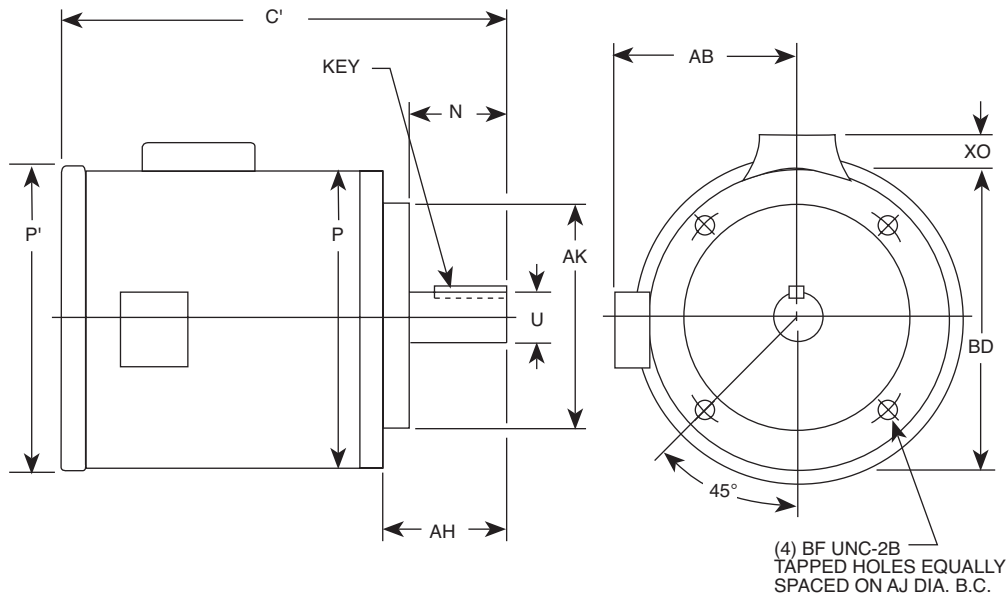
Electrical Products Catalog

101

# AC MOTORS

110/220 1ø 50 Hz  
220/380/440 3ø 50 Hz

**TEFC**  
**NEMA C-Face**  
**Single and Three Phase, 50 Hz**  
**1/6 – 1-1/2 Horsepower**  
**1425 RPM**



### ORDER BY CATALOG NUMBER OR ITEM CODE

HP	RPM	F.L.A. @ Max. Volt	NEMA Mtg.	Bore Code	Catalog Number	Item Code	C'	N	P	P'	U +.0000 -.0005	Key		AB	AH	AJ	AK	BD	BF	XO	Wt. Lbs.
												Sq.	Long								
<b>110/220 VAC 1ø 50 Hz</b>																					
1/6	1425	2.1	42CZ	B4	ACR5TF-B	50480	9.31	1.15	4.69	5.19	0.500	1/8	0.75	4.03	1.28	3.75	3.00	4.63	1/4-20	1.66	20
1/4	1425	2.3	42CZ	B4	ADR5TF-B	66970	9.31	1.15	4.69	5.19	0.500	1/8	0.75	4.03	1.28	3.75	3.00	4.63	1/4-20	1.66	21
1/4	1425	2.8	56C	B5	DR5TF-B	66858	11.38	1.94	5.69	6.19	0.625	3/16	1.38	4.51	2.06	5.88	4.50	5.81	3/8-16	1.56	23
1/3	1425	3.1	56C	B5	ER5TF-B	66869	12.38	1.94	5.69	6.19	0.625	3/16	1.38	4.51	2.06	5.88	4.50	5.81	3/8-16	1.56	26
1/2	1425	4.0	56C	B5	FR5TF-B	66875	12.88	1.94	5.69	6.19	0.625	3/16	1.38	4.51	2.06	5.88	4.50	5.81	3/8-16	1.56	30
3/4	1425	6.4	56C	B5	GR5TF-B	66881	13.31	1.94	6.63	7.19	0.625	3/16	1.38	5.25	2.06	5.88	4.50	6.50	3/8-16	2.25	42
<b>220/380/415-440 VAC 3ø 50 Hz</b>																					
1/2	1425	1.0	56C	B5	FU5TF-B	50337	11.38	1.94	5.69	6.19	0.625	3/16	1.38	4.51	2.06	5.88	4.50	5.81	3/8-16	—	22
3/4	1425	1.3	56C	B5	GU5TF-B	50338	12.00	1.94	5.69	6.19	0.625	3/16	1.38	4.51	2.06	5.88	4.50	5.81	3/8-16	—	32
1	1425	1.5	143TC	B7	HU5TF-B	50339	12.38	2.00	6.63	7.19	0.875	3/16	1.38	5.25	2.13	5.88	4.50	6.50	3/8-16	—	35
1-1/2	1425	2.1	145TC	B7	JU5TF-B	50340	13.38	2.00	6.63	7.19	0.875	3/16	1.38	5.25	2.13	5.88	4.50	6.50	3/8-16	—	37

All dimensions in inches. Dimensional information for estimating purposes only.

# AC MOTORS

208-230/460 VAC 3 $\phi$  60 Hz

575 VAC 3 $\phi$  60 Hz

BISSC Approved Washdown

& Stainless Steel

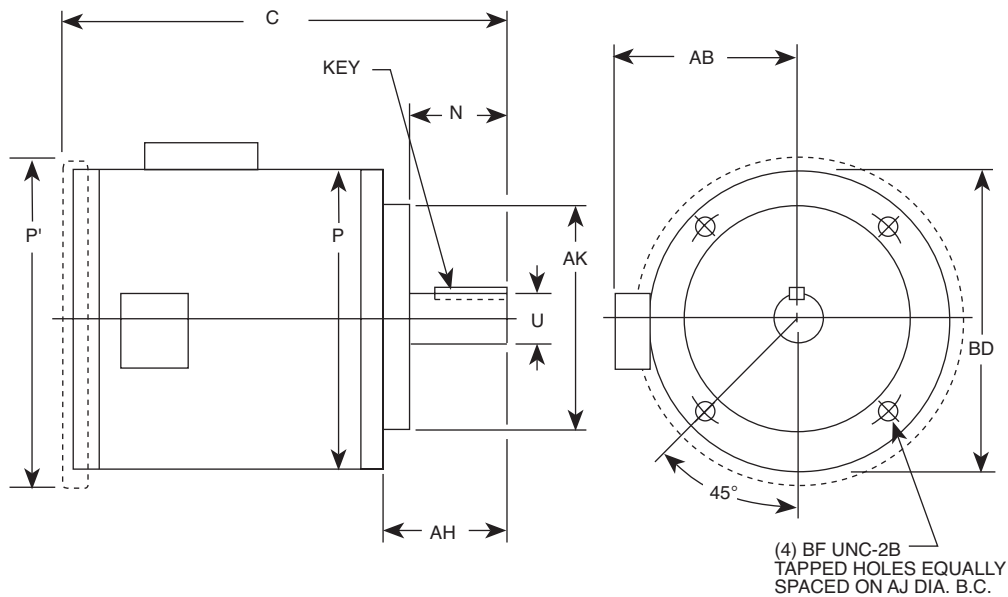
NEMA C-Face

Three Phase

TENV-TEFC

1/2 – 5 Horsepower

1725 RPM



ORDER BY CATALOG NUMBER OR ITEM CODE

HP	F.L.A. @ Max. Volt	NEMA Mtg.	Bore Code	Catalog Number	Item Code	C	N	P	P'	U +.0000 -.0005	Key		AB	AH	AJ	AK	BD	BF	Wt. Lbs.
											Sq.	Lg.							
<b>208-230/460 VAC 3<math>\phi</math> 60 Hz BISSC Approved</b>																			
1/2	0.80	56C	B5	FUT-WB-B	69105	11.06	1.94	6.63	—	0.625	3/16	1.38	5.25	2.06	5.88	4.50	6.62	3/8-16	30
3/4	1.1	56C	B5	GUT-WB-B	69106	11.06	1.94	6.63	—	0.625	3/16	1.38	5.25	2.06	5.88	4.50	6.62	3/8-16	34
1	1.5	56C	B5	HUT-WB-5/8-B	69123	12.13	1.94	6.63	—	0.625	3/16	1.38	5.25	2.13	5.88	4.50	6.62	3/8-16	38
1	1.7	143TC	B7	HUT-WB-B	69107	12.13	2.00	6.63	—	0.875	3/16	1.38	5.25	2.13	5.88	4.50	6.62	3/8-16	39
1-1/2	2.5	145TC	B7	JUTF-WB-B *	69110	12.38	2.00	6.63	7.19	0.875	3/16	1.38	5.25	2.13	5.88	4.50	6.62	3/8-16	40
2	3.1	145TC	B7	KUTF-WB-B *	69111	13.38	2.00	6.63	7.19	0.875	3/16	1.38	5.25	2.13	5.88	4.50	6.62	3/8-16	44
3	4.3	182TC	B9	LUTF-WB-B *	69112	15.19	2.62	7.88	8.50	1.125	1/4	1.75	5.88	2.88	7.25	8.50	9.00	1/2-13	61
5	6.6	184TC	B9	MUTF-WB-B *	69113	16.56	2.62	7.88	8.50	1.125	1/4	1.75	5.88	2.88	7.25	8.50	9.00	1/2-13	76
<b>208-230/460 VAC 3<math>\phi</math> 60 Hz Stainless Steel</b>																			
1/2	1.4	56C	B5	FUT-SS	46488	11.56	1.94	6.53	—	0.625	3/16	1.38	5.44	2.06	5.88	4.50	6.53	3/8-16	34
3/4	2.2	56C	B5	GUT-SS	46630	12.06	1.94	6.53	—	0.625	3/16	1.38	5.44	2.06	5.88	4.50	6.53	3/8-16	38
1	2.9	56C	B5	HUT-5/8-SS	46634	12.06	1.94	6.53	—	0.625	3/16	1.38	5.44	2.06	5.88	4.50	6.53	3/8-16	39
1	2.9	143TC	B7	HUT-SS	46635	12.13	2.00	6.53	—	0.875	3/16	1.38	5.44	2.13	5.88	4.50	6.53	3/8-16	39
1-1/2	4.4	145TC	B7	JUTF-SS	46636	14.25	2.00	6.53	—	0.875	3/16	1.38	5.44	2.13	5.88	4.50	6.53	3/8-16	46
2	6.0	145TC	B7	KUTF-SS	46639	14.25	2.00	6.53	—	0.875	3/16	1.38	5.44	2.13	5.88	4.50	6.53	3/8-16	49
<b>575 VAC 3<math>\phi</math> 60 Hz Stainless Steel</b>																			
1/2	1.4	56C	B5	FYT-SS	59000	11.56	1.94	6.53	—	0.625	3/16	1.38	5.44	2.06	5.88	4.50	6.53	3/8-16	34
3/4	2.2	56C	B5	GYT-SS	59001	12.06	1.94	6.53	—	0.625	3/16	1.38	5.44	2.06	5.88	4.50	6.53	3/8-16	38
1	2.9	56C	B5	HYT-5/8-SS	59003	12.06	1.94	6.53	—	0.625	3/16	1.38	5.44	2.06	5.88	4.50	6.53	3/8-16	39
1	2.9	143TC	B7	HYT-SS	59002	12.13	2.00	6.53	—	0.875	3/16	1.38	5.44	2.13	5.88	4.50	6.53	3/8-16	39
1-1/2	4.4	145TC	B7	JYTF-SS	59004	14.25	2.00	6.53	—	0.875	3/16	1.38	5.44	2.13	5.88	4.50	6.53	3/8-16	46
2	6.0	145TC	B7	KYTF-SS	59005	14.25	2.00	6.53	—	0.875	3/16	1.38	5.44	2.13	5.88	4.50	6.53	3/8-16	49

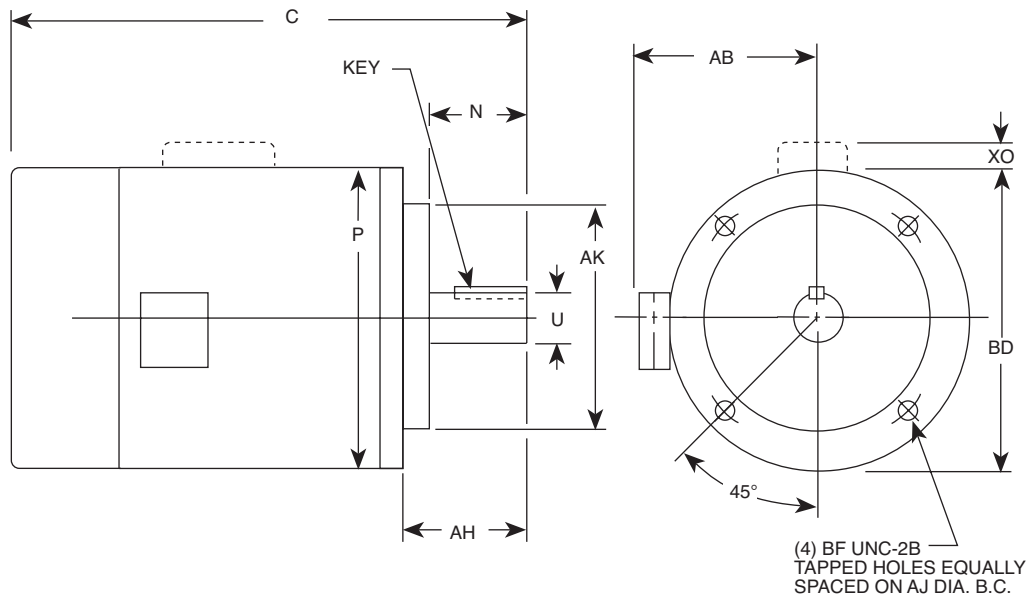
All dimensions in inches. Dimensional information for estimating purposes only.  
\*TEFC, All other TENV

**BOSTON GEAR®**

# AC MOTORS

115/230 1 $\phi$  60 Hz  
208-230/460 3 $\phi$  60 Hz

*Brake Motors, Open Dripproof  
NEMA C-Face  
Single and Three Phase  
1/4 – 5 Horsepower  
1725 RPM*



### ORDER BY CATALOG NUMBER OR ITEM CODE

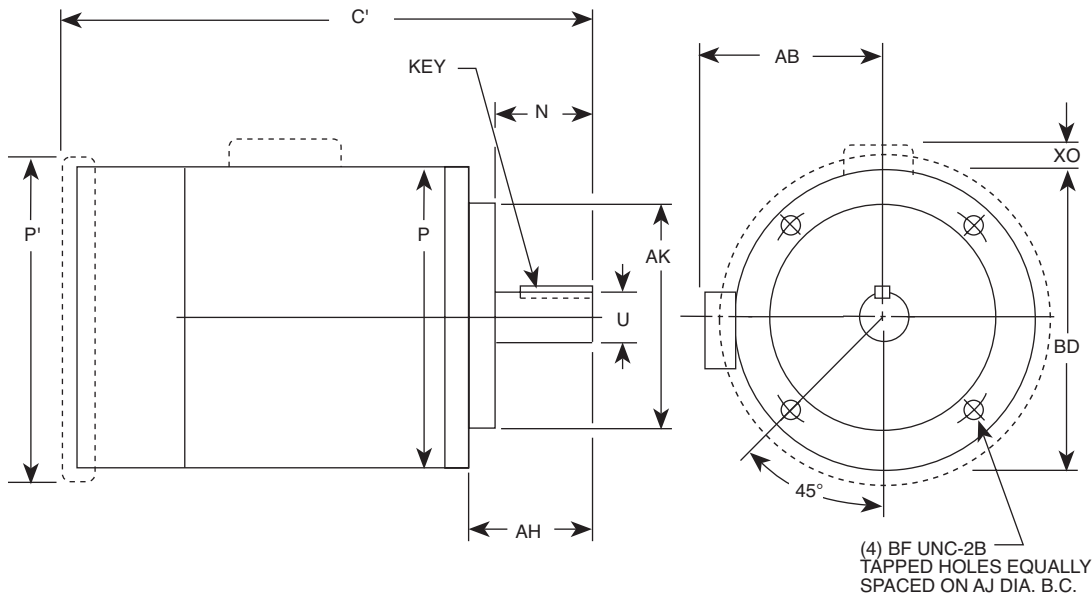
HP	Brake Rating (Lb. Ft.)	F.L.A. @ Max. VOLT	NEMA MTG.	Bore CODE	Catalog Number	Item Code	C	N	P	U +.0000 -.0005	Key		AB	AH	AJ	AK	BD	BF	XO	Wt. Lbs.
											Sq.	Lg.								
<b>115/230 VAC 1<math>\phi</math> 60 Hz</b>																				
1/4	3	2.5	56C	B5	DRB-B	66361	14.19	1.88	5.69	.625	3/16	1.38	4.88	2.06	5.88	4.50	5.81	3/8-16	2.20	34
1/3	3	3.0	56C	B5	ERB-B	66370	15.19	1.88	5.69	.625	3/16	1.38	4.88	2.06	5.88	4.50	5.81	3/8-16	2.20	34
1/2	3	4.2	56C	B5	FRB-B	66379	16.19	1.88	5.69	.625	3/16	1.38	4.88	2.06	5.88	4.50	5.81	3/8-16	2.20	38
3/4	3	5.4	56C	B5	GRB-B	66388	15.25	1.88	6.63	.625	3/16	1.38	5.63	2.06	5.88	4.50	6.50	3/8-16	2.28	45
<b>208-230/460 VAC 3<math>\phi</math> 60 Hz</b>																				
1/4	3	0.65	56C	B5	DUB-B	66364	14.19	1.88	5.69	.625	3/16	1.38	4.88	2.06	5.88	4.50	5.81	3/8-16	—	26
1/3	3	0.80	56C	B5	EUB-B	66373	14.19	1.88	5.69	.625	3/16	1.38	4.88	2.06	5.88	4.50	5.81	3/8-16	—	28
1/2	3	1.0	56C	B5	FUB-B	66382	14.19	1.88	5.69	.625	3/16	1.38	4.88	2.06	5.88	4.50	5.81	3/8-16	—	31
3/4	3	1.5	56C	B5	GUB-B	66391	15.25	1.88	6.63	.625	3/16	1.38	5.63	2.06	5.88	4.50	6.50	3/8-16	—	41
1	3	1.7	56C	B5	HUB-5/8-B	19181	15.25	1.88	6.63	.625	3/16	1.38	5.47	2.06	5.88	4.50	6.50	3/8-16	—	31
1	3	1.7	143TC	B7	HUB-B	66397	15.31	2.00	6.63	.875	3/16	1.38	5.25	2.13	5.88	4.50	6.50	3/8-16	—	40
1-1/2	6	2.4	145TC	B7	JUB-B	66403	15.31	2.00	6.63	.875	3/16	1.38	5.25	2.13	5.88	4.50	6.50	3/8-16	—	43
2	6	3.2	145TC	B7	KUB-B	66409	16.31	2.00	6.63	.875	3/16	1.38	5.25	2.13	5.88	4.50	6.50	3/8-16	—	53
3	10	4.3	182TC	B9	LUB-B	66415	18.19	2.63	7.88	1.125	1/4	1.75	5.88	2.89	7.25	8.50	9.00	1/2-13	—	73
5	10	7.0	184TC	B9	MUB-B	66834	19.56	2.63	7.88	1.125	1/4	1.75	5.88	2.89	7.25	8.50	9.00	1/2-13	—	84

All dimensions in inches. Dimensional information for estimating purposes only.

# AC MOTORS

115/230 VAC 1 $\phi$  60 Hz  
 208-230/460 VAC 3 $\phi$  60 Hz  
 575 VAC 3 $\phi$  60 Hz

Brake Motors  
 TEFC & TENV  
 NEMA C-Face  
 Single and Three Phase  
 1/4 – 5 Horsepower  
 1725 RPM



### ORDER BY CATALOG NUMBER OR ITEM CODE

HP	Brake Rating (lb ft)	F.L.A. @ Max. Volt	NEMA Mtg.	Bore Code	Catalog Number	Item Code	C'	N	P	P'	U +.0000 -.0005	Key		AB	AH	AJ	AK	BD	BF	XO	Approx. Wght. (lb)
												Sq.	Lg.								
<b>115/230 VAC 1<math>\phi</math> 60 Hz</b>																					
1/4	3	2.5	56C	B5	DRTB-B	66419	15.19	1.88	5.68	—	.625	3/16	1.38	4.88	2.06	5.88	4.50	5.81	3/8-16	1.54	34
1/3	3	2.4	56C	B5	ERTB-B	66431	16.19	1.88	5.68	—	.625	3/16	1.38	4.88	2.06	5.88	4.50	5.81	3/8-16	1.54	38
1/2	3	3.4	56C	B5	FRTB-B	66440	16.25	1.88	6.63	—	.625	3/16	1.38	5.75	2.06	5.88	4.50	6.50	3/8-16	2.30	39
3/4	3	5.6	56C	B5	GRTFB-B*	66449	17.88	1.88	6.63	7.18	.625	3/16	1.38	5.75	2.06	5.88	4.50	6.50	3/8-16	2.30	48
<b>208-230/460 VAC 3<math>\phi</math> 60 Hz</b>																					
1/4	3	0.60	56C	B5	DUTB-B	66425	14.19	1.88	5.68	—	.625	3/16	1.38	4.88	2.06	5.88	4.50	5.81	3/8-16	—	25
1/3	3	0.70	56C	B5	EUTB-B	66434	14.19	1.88	5.68	—	.625	3/16	1.38	4.88	2.06	5.88	4.50	5.81	3/8-16	—	27
1/2	3	0.90	56C	B5	FUTB-B	66443	14.81	1.88	5.69	—	.625	3/16	1.38	4.89	2.06	5.88	4.50	5.81	3/8-16	—	30
3/4	3	1.1	56C	B5	GUTB-B	66452	15.25	1.88	6.63	—	.625	3/16	1.38	5.75	2.06	5.88	4.50	6.50	3/8-16	—	40
1	3	1.5	56C	B5	HUTB-5/8-B	19182	16.25	1.88	6.63	—	.625	3/16	1.38	5.75	2.06	5.88	4.50	6.50	3/8-16	—	41
1	3	1.5	145TC	B7	HUTB-B	66458	16.31	2.00	6.63	—	.875	3/16	1.38	5.75	2.3	5.88	4.50	6.50	3/8-16	—	41
1-1/2	6	2.5	145TC	B7	JUTFB-B*	66464	16.94	2.00	6.63	7.18	.875	3/16	1.38	5.75	2.13	5.88	4.50	6.50	3/8-16	—	43
2	6	3.1	145TC	B7	KUTFB-B*	66470	17.94	2.00	6.63	7.18	.875	3/16	1.38	5.75	2.13	5.88	4.50	6.50	3/8-16	—	51
3	10	4.3	182TC	B9	LUTFB-B*	66474	19.81	2.63	8.50	7.18	1.125	1/4	1.75	5.88	2.88	7.85	8.50	9.00	1/2-13	—	76
5	25	6.6	184TC	B9	MUTFB-B*	66838	21.18	2.63	7.89	10.18	1.125	1/4	1.75	5.97	2.88	7.25	8.50	8.86	1/2-13	—	118
<b>575 VAC 3<math>\phi</math> 60 Hz</b>																					
1/4	3	.40	56C	B5	DYTB-B	66428	15.25	1.88	6.63	—	.625	3/16	1.38	5.63	2.06	5.08	4.50	5.81	3/8-16	—	30
1/2	3	.72	56C	B5	FYTB-B	66446	15.19	1.88	5.81	—	.625	3/16	1.38	4.88	2.06	5.88	4.50	5.81	3/8-16	—	30
3/4	3	1.2	56C	B5	GYTB-B	66455	15.19	1.88	5.81	—	.625	3/16	1.38	4.88	2.06	5.88	4.50	5.81	3/9-16	—	40
1	3	1.2	145TC	B7	HYTB-B	66461	16.31	2.00	6.63	—	.875	3/16	1.38	5.75	2.13	5.88	4.50	6.50	3/8-16	—	51
1-1/2	6	2.0	145TC	B7	JYTFB-B*	66467	16.94	2.00	6.63	7.18	.875	3/16	1.38	5.75	2.13	5.88	4.50	6.50	3/8-16	—	43
2	6	2.5	145TC	B7	KYTFB-B*	66472	17.94	2.00	6.63	7.18	.875	3/16	1.38	5.75	2.13	5.88	4.50	6.50	3/8-16	—	51
3	10	3.6	182TC	B9	LYTFB-B*	66476	19.81	2.63	8.50	7.18	1.125	1/4	1.75	5.88	2.88	7.25	8.50	9.00	1/2-13	—	76
5	10	5.3	184TC	B9	MYTFB-B*	66840	21.18	2.63	8.50	7.18	1.125	1/4	1.75	5.88	2.88	7.25	8.50	9.00	1/2-13	—	112

\*TEFC, All others TENV.  
 All dimensions in inches. Dimensional information for estimating purposes only.

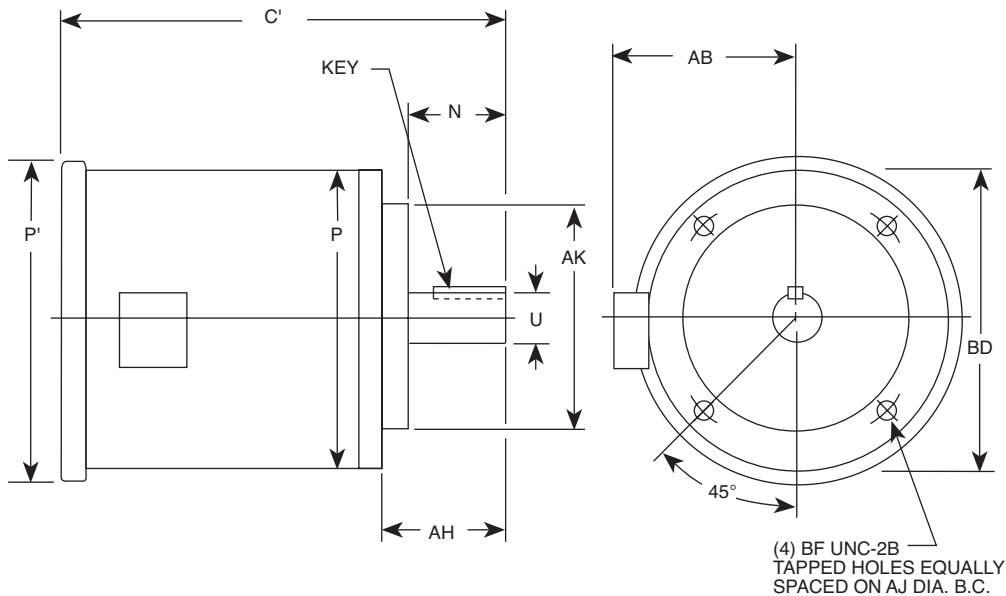
# AC MOTORS

115/230 VAC 1 $\phi$  60 Hz  
208-230/460 VAC 3 $\phi$  60 Hz

**Explosion Proof**  
**NEMA C-Face**  
**Single and Three Phase**  
**1/4-5 Horsepower**  
**1725 RPM**



**CONTINUOUS DUTY**  
**1.0 SERVICE FACTOR**  
**CLASS I GROUP D**  
**CLASS II GROUPS F & G**



### ORDER BY CATALOG NUMBER OR ITEM CODE

HP	F.L.A. @ Max. Volt	NEMA Mtg.	Bore Code	Catalog Number	Item Code	C'	N	P	P'	U +.0000 -.0005	KEY		AB	AH	AJ	AK	BD	BF	Wt. Lbs.
											Sq.	Lg.							
<b>115/230 VAC 1<math>\phi</math> 60 Hz</b>																			
1/4	2.5	56C	B5	DRX-B	66292	14.38	1.94	6.68	7.19	0.625	3/16	1.38	6.75	2.06	5.88	4.50	6.50	3/8-16	42
1/3	3.0	56C	B5	ERX-B	66304	14.38	1.94	6.68	7.19	0.625	3/16	1.38	6.75	2.06	5.88	4.50	6.50	3/8-16	42
1/2	3.8	56C	B5	FRX-B	66313	14.38	1.94	6.75	7.19	0.625	3/16	1.38	6.75	2.06	5.88	4.50	6.50	3/8-16	49
3/4	5.3	56C	B5	GRX-B	66322	15.25	1.94	6.75	7.19	0.625	3/16	1.38	6.75	2.06	5.88	4.50	6.50	3/8-16	54
<b>208-230/460 VAC 3<math>\phi</math> 60 Hz</b>																			
1/4	0.65	56C	B5	DUX-B	66298	14.38	1.94	6.68	7.19	0.625	3/16	1.38	6.75	2.06	5.88	4.50	6.50	3/8-16	42
1/3	0.80	56C	B5	EUX-B	66307	13.22	1.94	6.68	6.20	0.625	3/16	1.38	6.50	2.06	5.88	4.50	6.50	3/8-16	28
1/2	1.0	56C	B5	FUX-B	66316	14.38	1.94	6.68	7.19	0.625	3/16	1.38	6.75	2.06	5.88	4.50	6.50	3/8-16	42
3/4	1.5	56C	B5	GUX-B	66325	14.38	1.94	6.68	7.19	0.625	3/16	1.38	6.75	2.06	5.88	4.50	6.50	3/8-16	43
1	1.8	56C	B5	HUX-5/8-B	19180	—	1.94	6.68	6.20	0.625	3/16	1.38	6.50	2.06	5.88	4.50	6.50	3/8-16	44
1	1.7	143TC	B7	HUX-B	66334	—	2.00	6.68	7.19	0.875	3/16	1.38	6.92	2.13	5.88	4.50	6.50	3/8-16	39
1-1/2	2.5	145TC	B7	JUX-B	66343	—	2.00	6.88	7.19	0.875	3/16	1.38	6.92	2.13	5.88	4.50	6.50	3/8-16	43
2	3.1	145TC	B7	KUX-B	66349	—	2.00	6.75	7.19	0.875	3/16	1.38	6.92	2.13	5.88	4.50	6.50	3/8-16	50
3	4.3	182TC	B9	LUX-B	66353	17.50	2.63	7.88	8.49	1.125	1/4	1.75	7.52	2.88	7.25	8.50	8.98	1/2-13	81
5	6.5	184TC	B9	MUX-B	66357	—	2.63	7.88	8.82	1.125	1/4	1.75	7.52	2.88	7.25	8.50	8.98	1/2-13	111

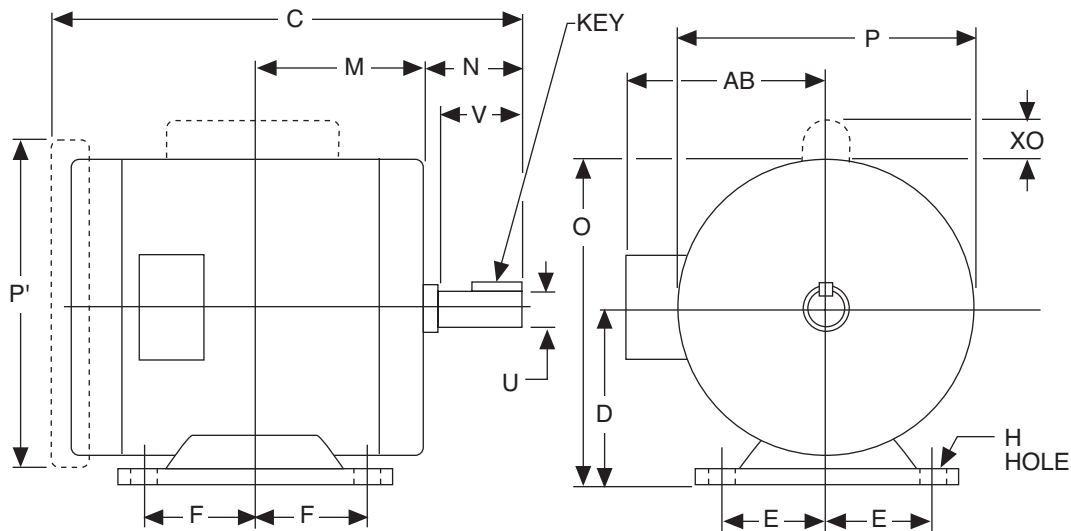
All dimensions in inches. Dimensional information for estimating purposes only.

# AC MOTORS

115/230 VAC 1 $\phi$  60 Hz  
208-230/460 VAC 3 $\phi$  60 Hz

TEFC

Rigid Base  
Single and Three Phase  
1/2 – 50 Horsepower  
1725 RPM



### ORDER BY CATALOG NUMBER OR ITEM CODE

HP	RPM	F.L.A. @ Max. Volt	NEMA MTG	Catalog Number	Item Code	C	D	E	F	H*	M	N	O	P	P'	U +.0000 -.0005	Key		V	AB	XO	Wt. (Lbs.)
																	SQ	Long				
<b>115/230 VAC 1<math>\phi</math> 60 Hz</b>																						
1/2	1725	3.7	56	BFRTF-B	66530	11.95	3.50	2.44	1.50	.34(S)	3.63	2.50	6.34	5.68	6.13	.625	3/16	1.38	1.88	4.88	1.50	27
3/4	1725	5.6	56	BGRTF-B	66536	13.31	3.50	2.44	1.50	.34(S)	3.69	2.50	6.88	6.63	7.18	.625	3/16	1.38	1.88	5.75	2.25	35
1	1725	6.2	143T	BHRTF-B	66542	13.31	3.50	2.75	2.00	.34(S)	4.00	2.50	6.81	6.63	7.18	.875	3/16	1.38	2.25	5.75	2.25	39
1-1/2	1725	8.0	145T	BJRTF-B	66548	14.19	3.50	2.75	2.00	.34(S)	4.00	2.50	6.81	6.63	7.18	.875	3/16	1.38	2.25	5.75	2.25	48
<b>208-230/460 VAC 3<math>\phi</math> 60 Hz</b>																						
1/2	1725	1.0	56	BFUTF-B	66533	11.38	3.60	2.44	1.50	.34(S)	3.63	2.50	6.38	5.68	6.13	.625	3/16	1.38	1.88	4.88	—	23
3/4	1725	1.5	56	BGUTF-B	66538	12.38	3.50	2.44	1.50	.34(S)	3.63	2.50	6.38	5.68	6.13	.625	3/16	1.38	1.88	4.88	—	26
1	1725	1.7	143T	BHUTF-B	66544	12.38	3.50	2.75	2.00	.34(S)	4.00	2.50	6.88	6.63	7.18	.875	3/16	1.38	2.25	5.75	—	32
1-1/2	1725	2.5	145T	BJUTF-B	66550	13.31	3.50	2.75	2.00	.34(S)	4.00	2.50	6.81	6.63	7.18	.875	3/16	1.38	2.25	5.75	—	41
2	1725	3.1	145T	BKUTF-B	66554	13.38	3.50	2.75	2.00	.34(S)	4.00	2.50	6.88	6.63	7.18	.875	3/16	1.38	2.25	5.75	—	42
3	1750	4.3	182T	BLUTF-B	61314	15.18	4.50	3.75	2.25	.41	4.19	3.56	8.44	7.88	8.50	1.125	1/4	1.75	2.75	5.88	—	55
5	1750	6.6	184T	BMUTF-B	61316	16.56	4.50	3.75	2.25	.41	4.19	3.56	8.44	7.88	8.50	1.125	1/4	1.75	2.75	5.88	—	75
7-1/2	1750	10.0	213T	BNUTF-B	61318	17.94	5.25	4.25	2.75	.41	5.75	3.88	10.06	9.56	10.18	1.375	5/16	2.38	3.38	7.38	—	99
10	1750	13.0	215T	BPUTF-B	61320	19.06	5.25	4.25	2.75	.41	5.75	3.88	10.06	9.56	10.18	1.375	5/16	2.38	3.38	7.38	—	127
15	1760	19.6	254T	BRUTF-B	66886	21.09	6.25	5.00	4.13	.53	8.06	4.31	12.18	12.94	10.62	1.625	3/8	3.00	4.00	8.86	—	244
20	1760	26.0	256T	BSUTF-B	61341	23.18	6.25	5.00	5.00	.53	8.94	4.31	12.88	12.94	13.25	1.625	3/8	3.00	4.00	9.50	—	269
25	1760	30.0	284T	BTUTF-B	61343	27.28	7.00	5.50	4.75	.53	9.44	4.75	15.56	14.63	15.00	1.875	1/2	3.63	4.63	12.63	—	359
30	1760	37.0	286T	BUUTF-B	61345	27.76	7.00	5.50	5.50	.53	10.29	4.75	14.44	14.63	15.00	1.875	1/2	3.63	4.63	13.12	—	433
40	1760	46.5	324T	BVUTF-B	61347	30.25	8.00	6.25	5.25	.66	10.31	5.44	16.25	17.38	16.94	2.125	1/2	4.25	5.25	14.62	—	583
50	1760	62.0	326T	BWUTF-B	61349	30.25	8.00	6.25	6.00	.66	11.06	5.44	16.50	17.38	16.94	2.125	1/2	4.25	5.25	14.13	—	526

All dimensions in inches. Dimensional information for estimating purposes only.  
\*(S) Slotted (Dimension is Width)

# AC MOTORS

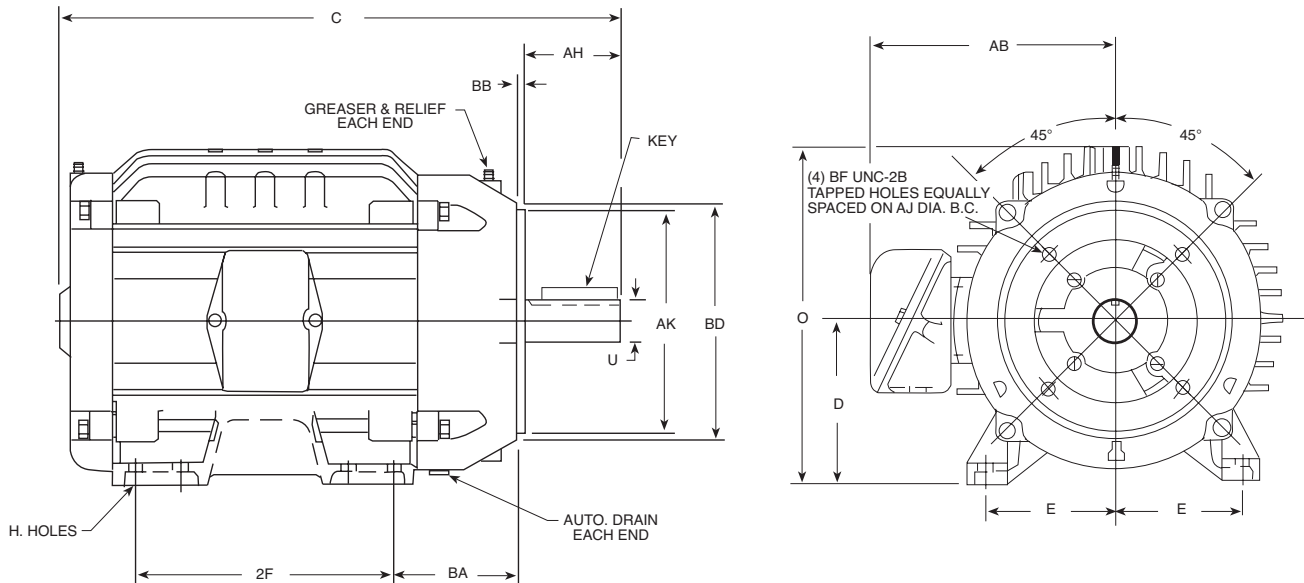
**Totally Enclosed  
Nonventilated**

**Inverter Duty  
1/3–10 Horsepower**



Boston Gear's Inverter Drive motors are specifically designed for today's tough adjustable speed applications. The design uses a rugged ribbed (for cooling) cast iron frame\*, endplates and connection box. The motors feature a cast iron base and C-face mounting. Locked bearings allow for vertical wall and horizontal mountings without modifications. These motors are fully insulated (Class H) for protection against voltage spikes which could cause phase to phase or turn to turn shorts. Also included are normally closed thermal protectors for overheating protection. These motors are offered at 1800 RPM base speed in a TENV or TEBC enclosure. Also available 1150 RPM Base Speed in a TEBC Enclosure.

\*1 HP and above



## ORDER BY CATALOG NUMBER

HP	RPM @ 60 Hz	F.L.A. @ Max. Volt	NEMA Mtg.	Bore Code	Catalog Number	C	D	E	2F	H	O	U +.0000 -.0005	Key		AB	AH	AJ	AK	BA	BB	BD	BF	Wt. Lbs.
													Sq	Long									
<b>Totally Enclosed, Non-Ventilated</b>																							
<b>230/460-3-60 VAC</b>																							
1/3	1725	0.50	56C	B5	EUT-ID-B	10.25	3.50	2.44	3.00	.34(S)	6.34	.625	3/16	1.38	4.51	1.94	5.88	4.50	2.69	.12	5.81	3/8-16	24
1/2	1725	0.65	56C	B5	FUT-ID-B	10.88	3.50	2.44	3.00	.34(S)	6.34	.625	3/16	1.38	4.51	1.94	5.88	4.50	2.69	.12	5.81	3/8-16	26
3/4	1725	0.65	56C	B5	GUT-ID-B	11.50	3.50	2.44	3.00	.34(S)	6.88	.625	3/16	1.38	5.25	1.94	5.88	4.50	2.69	.12	6.50	3/8-16	42
1	1725	1.6	143TC	B7	HUT-ID-B	11.82	3.50	2.75	4.00	.38	7.59	.875	3/16	1.38	6.33	2.00	5.88	4.50	2.38	.12	6.50	3/8-16	54
1-1/2	1725	2.1	143TC	B7	JUT-ID-B	11.82	3.50	2.75	4.00	.38	7.59	.875	3/16	1.38	6.33	2.00	5.88	4.50	2.38	.12	6.50	3/8-16	63
2	1725	2.9	182TC	B9	KUT-ID-B	14.86	4.50	3.75	4.50	.41	9.23	1.125	1/4	1.75	7.08	2.62	7.25	8.50	3.38	.25	9.09	1/2-13	105
3	1750	4.0	184TC	B9	LUT-ID-B	14.86	4.50	3.75	5.50	.41	9.23	1.125	1/4	1.75	7.08	2.62	7.25	8.50	3.38	.25	9.09	1/2-13	124
5	1760	6.7	213TC	B11	MUT-ID-B	18.07	5.25	4.25	5.50	.41	10.99	1.375	5/16	2.38	8.61	3.12	7.25	8.50	4.25	.25	9.06	1/2-13	170
7-1/2	1760	10.0	254TC	B13	NUT-ID-B	21.67	6.25	5.00	8.25	.53	12.87	1.625	3/8	2.88	9.42	3.75	7.25	8.50	4.75	.25	9.09	1/2-13	204
10	1760	12.8	256TC	B13	PUT-ID-B	21.67	6.25	5.00	10.00	.53	12.87	1.625	3/8	2.88	9.42	3.75	7.25	8.50	4.75	.25	9.09	1/2-13	265

All dimensions in inches. (S) Slotted (Dimension is width).  
Dimensional information for estimating purposes only.

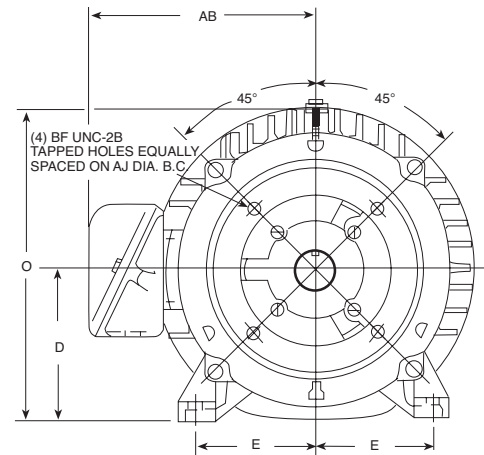
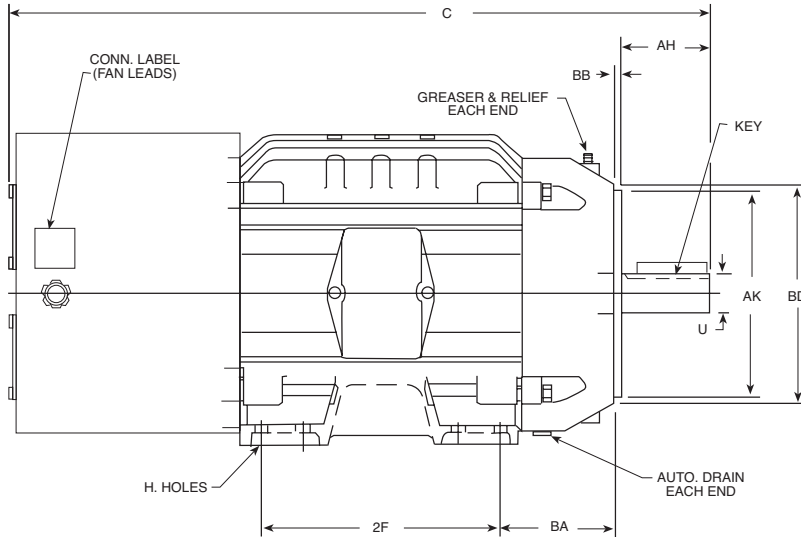
**BOSTON GEAR®**



# AC MOTORS

208-230/460 VAC 3Ø 60 Hz

Inverter Duty  
Blower Cooled  
NEMA C-Face  
1-75 Horsepower  
1150 & 1725 RPM



### ORDER BY CATALOG NUMBER OR ITEM CODE

HP	RPM @ 60 Hz	F.L.A. @Max. Volt	NEMA Mtg.	Bore Code	Catalog Number	C	D	E	2F	H	O	U +.0000 -.0005	Key		AB	AH	AJ	AK	BA	BB	BD	BF	Wt. Lbs.
													Sq	Long									
<b>Totally Enclosed, Blower Cooled</b>																							
<b>230/460-3-60 VAC</b>																							
1	1725	1.7	143TC	B7	HUBC-ID-B	18.65	3.50	2.75	4.00	.38	7.59	.875	3/16	1.38	6.33	2.00	5.88	4.50	2.38	.12	6.50	3/8-16	58
1	1150	1.5	145TC	B7	HUBC-11-ID-B	18.65	3.50	2.75	5.00	.38	7.59	.875	3/16	1.38	6.33	2.00	5.88	4.50	2.38	.12	6.50	3/8-16	60
1-1/2	1725	2.5	145TC	B7	JUBC-ID-B	18.65	3.50	2.75	5.00	.38	7.59	.875	3/16	1.38	6.33	2.00	5.88	4.50	2.38	.12	6.50	3/8-16	61
1-1/2	1140	2.6	182TC	B9	JUBC-11-ID-B	21.73	4.50	3.75	4.50	.41	9.23	1.125	1/4	1.75	7.08	2.63	7.25	8.50	3.38	.25	9.00	1/2-13	96
2	1750	3.1	145TC	B7	KUBC-ID-B	18.65	3.50	2.75	5.00	.38	7.59	.875	3/16	1.38	6.33	2.00	5.88	4.50	2.25	.12	6.50	3/8-16	67
2	1160	2.8	184TC	B9	KUBC-11-ID-B	21.73	4.50	3.75	5.50	.41	9.23	1.125	1/4	1.75	7.08	2.63	7.25	8.50	3.38	.25	9.00	1/2-13	100
3	1760	4.5	184TC	B9	LUBC-ID-B	21.73	4.50	3.75	5.50	.41	9.23	1.125	1/4	1.75	7.08	2.63	7.25	8.50	3.38	.25	9.00	1/2-13	113
3	1160	5.0	213TC	B11	LUBC-11-ID-B	25.39	5.25	4.25	5.50	.41	10.99	1.375	5/16	2.38	8.61	3.12	7.25	8.50	4.25	.25	9.06	1/2-13	157
5	1760	6.8	184TC	B9	MUBC-ID-B	21.73	4.50	3.75	5.50	.41	9.23	1.125	1/4	1.75	7.08	2.63	7.25	8.50	3.38	.25	9.00	1/2-13	132
5	1160	7.7	215TC	B11	MUBC-11-ID-B	25.39	5.25	4.25	7.00	.41	10.99	1.375	5/16	2.38	8.61	3.12	7.25	8.50	4.25	.25	9.06	1/2-13	182
7-1/2	1760	9.8	213TC	B11	NUBC-ID-B	25.39	5.25	4.25	5.50	.41	10.99	1.375	5/16	2.38	8.61	3.12	7.25	8.50	4.25	.25	9.06	1/2-13	180
7-1/2	1170	10.2	254TC	B13	NUBC-11-ID-B	29.29	6.25	5.00	8.25	.53	12.87	1.625	3/8	2.88	9.42	3.75	7.25	8.50	4.75	.25	9.09	1/2-13	235
10	1760	12.7	215TC	B11	PUBC-ID-B	25.39	5.25	4.25	7.00	.41	10.99	1.375	5/16	2.38	8.61	3.12	7.25	8.50	4.25	.25	9.06	1/2-13	210
10	1170	14.0	256TC	B13	PUBC-11-ID-B	29.29	6.25	5.00	10.00	.53	12.87	1.625	3/8	2.88	9.42	3.75	7.25	8.50	4.75	.25	9.09	1/2-13	300
15	1760	18.0	256TC	B13	RUBC-ID-B	29.29	6.25	5.00	10.00	.53	12.87	1.625	3/8	2.88	9.42	3.75	7.25	8.50	4.75	.25	9.09	1/2-13	275
15	1170	19.5	284TC	*	RUBC-11-ID-B	32.82	7.00	5.50	9.50	.56	14.44	1.875	1/2	3.25	12.96	4.38	9.00	10.50	4.75	.25	11.21	1/2-13	450
20	1780	24.0	256TC	B13	SUBC-ID-B	29.29	6.25	5.00	10.00	.53	12.87	1.625	3/8	2.88	9.42	3.75	7.25	8.50	4.75	.25	9.09	1/2-13	311
20	1170	26.0	284TC	*	SUBC-11-ID-B	32.82	7.00	5.50	11.00	.56	14.44	1.875	1/2	3.25	12.96	4.38	9.00	10.50	4.75	.25	11.21	1/2-13	459
25	1780	30.4	284TC	*	TUBC-ID-B	32.82	7.00	5.50	9.50	.56	14.44	1.875	1/2	3.25	12.96	4.38	9.00	10.50	4.75	.25	11.21	1/2-13	408
25	1180	29.8	324TC	*	TUBC-11-ID-B	35.23	8.00	6.25	10.50	.65	16.23	2.125	1/2	3.88	14.46	5.00	11.00	12.50	5.25	.25	13.40	5/8-11	571
30	1780	35.5	286TC	*	UUBC-ID-B	32.82	7.00	5.50	11.00	.56	14.44	1.875	1/2	3.25	12.96	4.38	9.00	10.50	4.75	.25	11.21	1/2-13	470
30	1180	36.0	326TC	*	UUBC-11-ID-B	35.23	8.00	6.25	12.00	.65	16.23	2.123	1/2	3.88	14.46	5.00	11.00	12.50	5.25	.25	13.40	5/8-11	612
40	1780	46.5	324TC	*	VUBC-ID-B	35.23	8.00	6.25	10.50	.65	16.23	2.125	1/2	3.88	14.46	5.00	11.00	12.50	5.25	.25	13.40	5/8-11	547
40	1180	47.0	364TC	*	VUBC-11-ID-B	37.13	9.00	7.00	11.25	.66	18.38	2.375	5/8	4.25	14.80	5.62	11.00	12.50	5.88	.25	12.89	5/8-11	747
50	1780	57.5	326TC	*	WUBC-ID-B	35.23	8.00	6.25	12.00	.65	16.23	2.125	1/2	3.88	14.46	5.00	11.00	12.50	5.25	.25	13.40	5/8-11	670
50	1180	59.0	365TC	*	WUBC-11-ID-B	37.13	9.00	7.00	12.25	.66	18.38	2.375	5/8	4.25	14.80	5.62	11.00	12.50	5.88	.25	12.89	5/8-11	835
60	1780	71.0	364TC	*	XUBC-ID-B	37.13	9.00	7.00	11.25	.66	18.38	2.375	5/8	4.25	14.80	5.62	11.00	12.50	5.88	.25	12.89	5/8-11	797
75	1780	86.0	365TC	*	YUBC-ID-B	37.13	9.00	7.00	12.25	.66	18.38	2.375	5/8	4.25	14.80	5.62	11.00	12.50	5.88	.25	12.89	5/8-11	869

All dimensions in inches. Dimensional information for estimating purposes only.  
\*Not standard BG mounting.