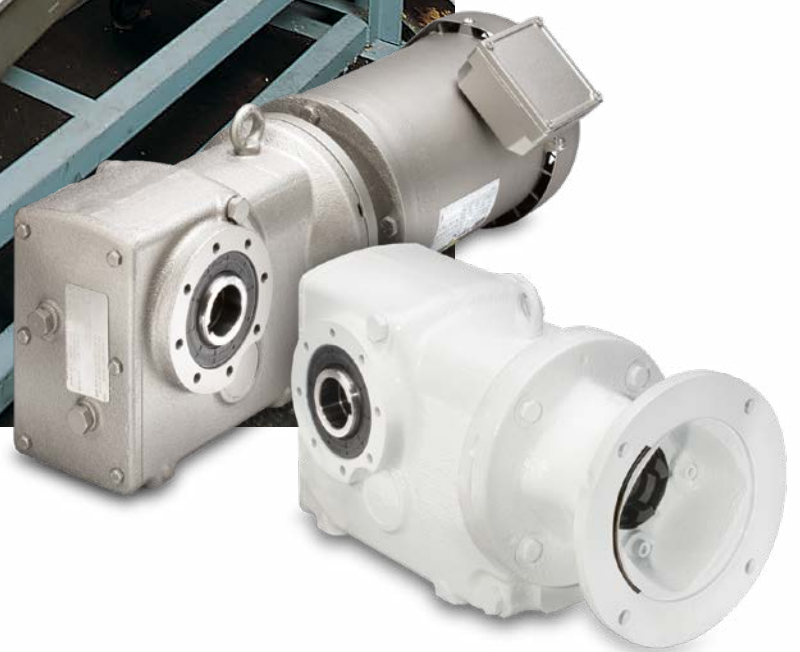




**Series 2000
Right Angle
Helical Bevel
Gear Drives &
Gear Motors**



INTRODUCING NEW GEARING SOLUTIONS FROM **BOSTON GEAR**

This well recognized Altra Industrial Motion brand has utilized its gearing expertise to offer the innovative Series 2000 product line. Boston Gear products have a reputation for superior engineering, quality manufacturing and reliable performance. As an industry leader, we have extensive experience and application knowledge in industries including material handling, food processing, packaging, bottling, and metals.

For more information about Series 2000 Gear Drives or Gear Motors call: 888-243-3447

SERIES 2000 RIGHT ANGLE HELICAL BEVEL GEAR DRIVES AND GEAR MOTORS

Loaded with unique performance and convenience features to meet a wide variety of application requirements.

We Asked Oems, End Users And Distributors What Mattered Most When It Came To Gear Motor Design. Their Responses Helped Guide Us In The Development Of The New Series 2000 Gear Motor Product Line.

Series 2000 Advantages

- **Altra's Competitive Displacement Product Offering**
 - Designed with critical dimensions equivalent to select competitive gear drives
- **Enhanced Performance**
 - High torque with ratings in accordance with AGMA standards provide long life and potential downsizing
 - Tested to an effective 25,000 hours. Proven ratings vs. theoretical
- **Design Flexibility**
 - Large assortment of shaft options for more application flexibility
 - Variety of optional hollow bore sizes available for quick delivery
 - Variety of input styles including NEMA and IEC C-FACE motor mounts
- **Fast and Easy Installation**
 - Unique mounting registers for quick, precision alignment
 - Keyless tapered bushing provides quick and secure installation of drive shaft
- **Low Maintenance**
 - Unique rounded surfaces allow for easier cleaning
 - Premium acrylic paint emulsion pigmented with alloy 316 stainless steel flake provides high corrosion & abrasion resistance for long term durability
 - Integrated O-rings at mounting interfaces provide high leak and ingress resistance
 - Automatic entrapment of wear debris for longer life
 - Large diameter oil fill/drain holes for fast oil changes
 - Synthetic lubrication extends gear life

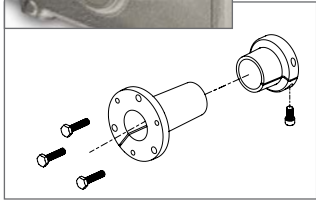
SERIES 2000 GEAR DRIVES AND GEAR MOTORS ARE DIMENSIONAL DROP-IN REPLACEMENTS FOR SEW EURODRIVE™ KA SERIES PRODUCTS

Application Examples:

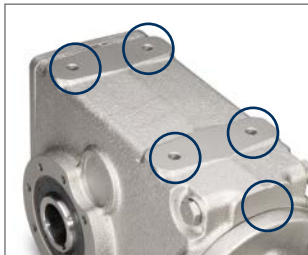
- | | | |
|------------------------------------|---|------------------|
| - Cheese slicers | - Produce drying bins (tumblers) | - Unit conveyors |
| - Dairy and bakery mixers | - Meat forming (links, patties, grinding) | - Palletizers |
| - Spiral heating and cooling racks | - Meat carcass processing | |
| - Potato chip salter | - Bottling lines | |

Call 1-888-243-3447 or visit www.helical2000.com

C-FACE AND PROJECTING INPUT SHAFT



Optional unique keyless tapered bushing provides longer life and faster installation
Stainless steel shafts also available



Unique mounting registers allow for quick precision alignment



Unique rounded housing surfaces for easier cleaning

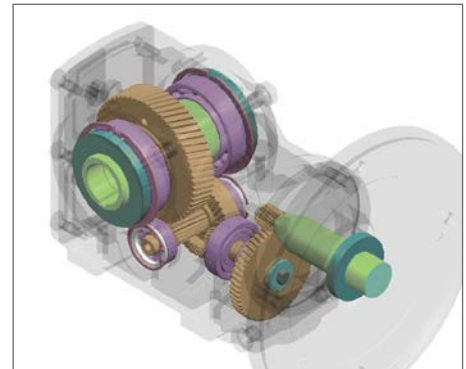
Unique Two-Tuff premium acrylic paint (standard)
Washdown epoxy paint (optional)

High-efficiency synthetic oil (Standard)

Larger diameter oil fill/drain holes for faster oil changes

NEMA or IEC C-Face motor input with 3-Jaw coupling

Integrated O-rings



Energy Efficient Design

With efficiency of 98% per gear mesh, Series 2000 helical bevel reducers are ideal for use in applications with:

- continuous or high duty cycle operations
- high-ratio reduction
- limited access applications where long life is a necessity



Projecting input shaft and stainless steel shafts available

INTEGRAL GEAR MOTORS



Optional output flange available on C-face or integral design models

Gear motors are Inverter rated for use with a VFD (Variable Frequency Drive)

Class 1, Div 2, Groups B/C/D/T3C rated enclosure

Motors are CE, CSA and UR certified

Motors meet or exceed EISA 2007 efficiency requirements

Highest quality bearings ensure long life

Specially designed fans and fan covers provide quieter operation

Boston Gear Facilities

North America

USA

701 Carrier Drive
Charlotte, NC 28216 - USA
704-588-5610

*Enclosed and Open Gearing,
Electrical and Mechanical
P.T. Components*

Customer Service

1-800-825-6544

Application Support

1-800-816-5608

The Brands of Altra Industrial Motion

Couplings

Ameridrives
www.ameridrives.com

Bibby Turboflex
www.bibbyturboflex.com

Guardian Couplings
www.guardiancouplings.com

Huco
www.huco.com

Lamiflex Couplings
www.lamiflexcouplings.com

Stromag
www.stromag.com

TB Wood's
www.tbwoods.com

Gear Cam Limit Switches

Stromag
www.stromag.com

Electric Clutches & Brakes

Inertia Dynamics
www.idicb.com

Matrix
www.matrix-international.com

Stromag
www.stromag.com

Warner Electric
www.warnerelectric.com

Linear Products

Warner Linear
www.warnerlinear.com

Engineered Bearing Assemblies

Kilian
www.kilianbearings.com

Heavy Duty Clutches & Brakes

Industrial Clutch
www.indclutch.com

Twiflex
www.twiflex.com

Stromag
www.stromag.com

Svendborg Brakes
www.svendborg-brakes.com

Wichita Clutch
www.wichitaclutch.com

Belted Drives

TB Wood's
www.tbwoods.com

Gearing

Bauer Gear Motor
www.bauergears.com

Boston Gear
www.bostongear.com

Delroyd Worm Gear
www.delroyd.com

Nuttall Gear
www.nuttallgear.com

Overrunning Clutches

Formsprag Clutch
www.formsprag.com

Marland Clutch
www.marland.com

Stieber
www.stieberclutch.com

Neither the accuracy nor completeness of the information contained in this publication is guaranteed by the company and may be subject to change in its sole discretion. The operating and performance characteristics of these products may vary depending on the application, installation, operating conditions and environmental factors. The company's terms and conditions of sale can be viewed at <http://www.altramotion.com/terms-and-conditions/sales-terms-and-conditions>. These terms and conditions apply to any person who may buy, acquire or use a product referred to herein, including any person who buys from a licensed distributor of these branded products.

©2018 by Boston Gear LLC. All rights reserved. All trademarks in this publication are the sole and exclusive property of Boston Gear LLC or one of its affiliated companies.



www.bostongear.com

P-7204-BG 6/18