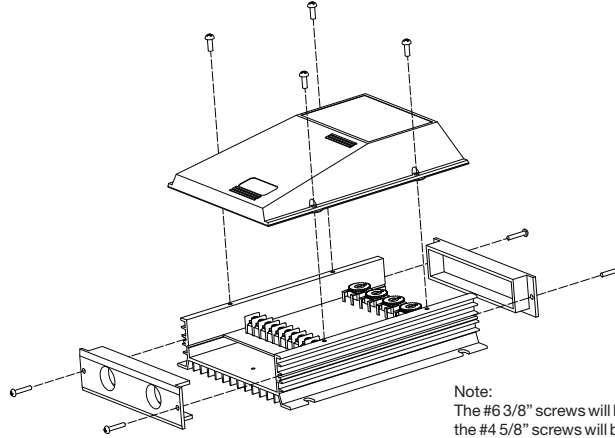


DCVR-B OPTION FOR THE RBD SERIES

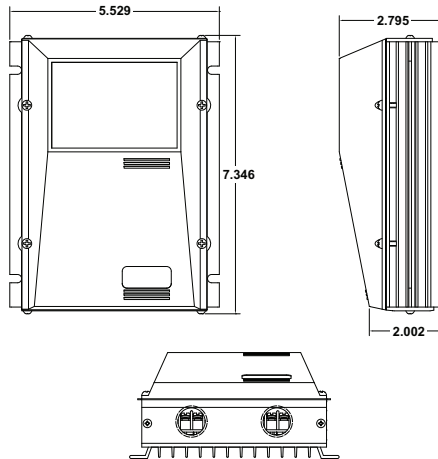
This is a blank cover kit to be used with RBD2C which will convert the chassis control into a NEMA 4/12 control. This kit will include endplates, gaskets, and hardware and is intended that the drive will be operated remotely - not from any covermounted pot / switch.

Exploded View



Note:
The #6 3/8" screws will be installed in the Cover and
the #4 5/8" screws will be installed in the endplates.

Overall Dimensions




An Altra Industrial Motion Company

Boston Gear
701 Carrier Drive
Charlotte, NC 28216
www.bostongear.com
Customer Service 800-825-6544

A-5-3757A 4/12

Printed in USA
LT112