

# Special Application Speed Reducers



 **Delroyd**<sup>®</sup>  
Worm Gear  
*An Altra Industrial Motion Company*

# DELROYD... MATCHING YOUR REQUIREMENTS

## Series BX Conveyor Drive Units

Delroyd BX Series Speed Reducers are specially designed with high overhung load capacities required by the Food and Material Conveying Industries.

The BX Units incorporate the Delroyd involute helicoid thread form which permits simple, accurate gearing adjustments. The extended bearing span allows for higher overhung loads and allows selection of a smaller drive unit for a given load.

Our Standard Drywell Feature provides positive protection against leakage of oil into the output bearings, minimizing the possibility of product contamination.

Delroyd BX Series Conveyor Drives are available in single or double reduction (Helical-Worm or Double-Worm), with the output shaft in the Up or Down configuration.

- Single, Double and Helical Worm Reductions
- 5" to 9" Center Distances
- Ratio of 5:1 to 4900:1
- Standard Drywell Construction
- Larger Bearings and Bearing Span for Increased Overhung Load Capacity
- Large Diameter Alloy Steel Output Shaft Drilled and Tapped for Conveyor Applications
- Mounting Flange Interchangeable with Conveyor Industry Standards

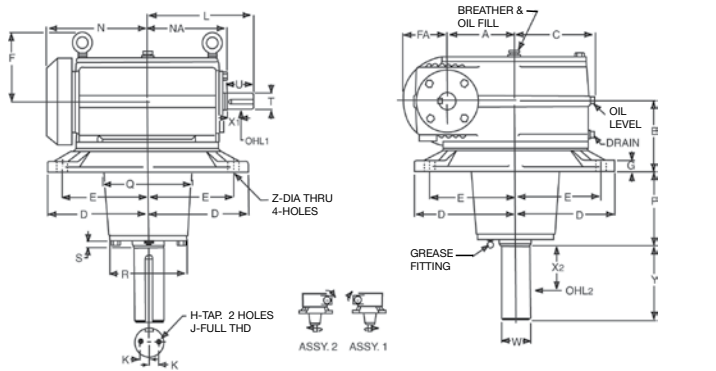


## For Mechanical Ratings, See Catalog P-7000-DWG

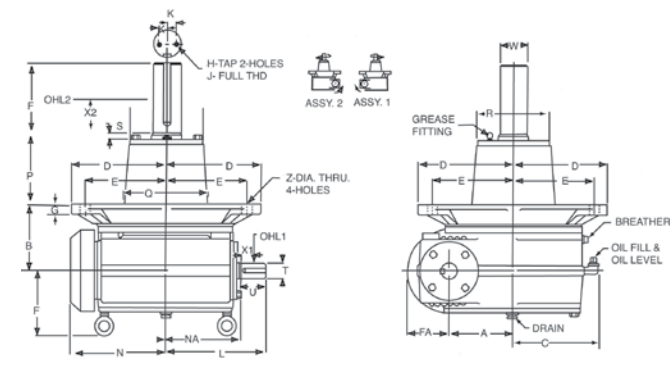
**CALL OUR TOLL-FREE APPLICATION HOTLINE: 800-432-0121**

### Single Reduction Reducers

#### Type VBX Output Shaft Down



#### Type VBX Output Shaft Up



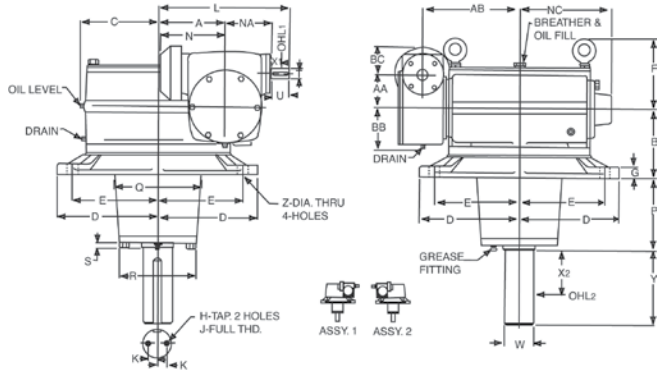
Size	OHL <sub>1</sub> LBS.	OHL <sub>2</sub> LBS.
VBX-50	540	3,000
VBX-60	710	5,000
VBX-70	770	10,000
VBX-90	890	14,000

Size	A	B	C	D	E	F	FA	G	H-TAP	J	K	L	N	NA	P	Q	R
VBX-50	5	7	6-5/8	8	7	6-7/8	3-11/16	1-1/4	3/8-16	1	3/4	8-3/4	8-5/8	6-7/8	5	6-3/4	6-1/16
VBX-60	6	7-3/4	7-3/4	9-3/4	8-1/2	7-1/4	4-1/8	1-1/2	3/8-16	1	1	10-1/4	10-1/16	7-3/4	8	9-1/2	7-7/8
VBX-70	7	9	8-3/8	11	9-1/2	7-3/8	5-3/16	1-3/4	5/8-11	1-1/2	1-1/16	11-1/2	10-3/4	8-3/8	8	11	9-1/4
VBX-90	9	10-1/16	10-1/2	14	12	9-1/4	6-3/16	2	5/8-11	1-1/2	1-3/16	14-1/4	13-13/16	10-3/8	8-1/16	12-7/8	10

Size	S	T	U	KEYWAY	X <sub>1</sub>	W	Y	KEYWAY	X <sub>2</sub>	Z
VBX-50	3/4	1-3/8	2-5/16	15/16x5/32x2-1/4	1-5/32	2.187	5-1/2	1/2x1/4x5-3/8	3-15/16	13/16
VBX-60	11/16	1-1/2	2-11/16	3/8x3/16x2-5/8	1-11/32	2.937	7-1/2	3/4x3/8x6-3/8	5	15/16
VBX-70	5/8	1-5/8	3-1/8	3/8x3/16x3-1/16	1-9/16	3.437	7-1/2	7/8x7/16x6-7/16	5	1-1/8
VBX-90	11/16	2-1/8	3-15/16	1/2x1/4x3-7/8	1-31/32	3.937	7-1/2	1x1/2x6-1/2	5	1-5/16

## Double Reduction Reducers

### Double-Worm Type DVBX Output Shaft Down

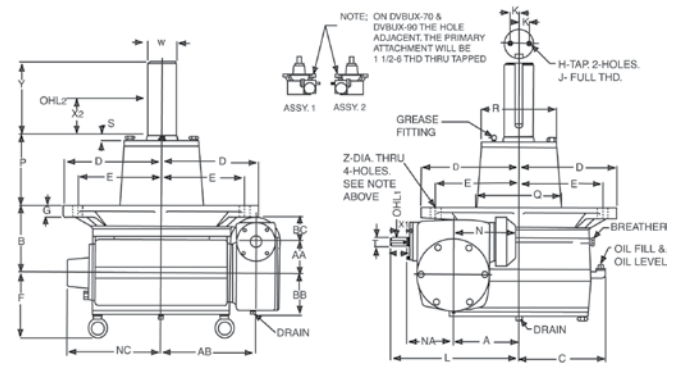


Size	OHL <sub>1</sub> LBS.	OHL <sub>2</sub> LBS.
DVBX-50	180	3,000
DVBX-60	240	5,000
DVBX-70	300	10,000
DVBX-90	540	14,000

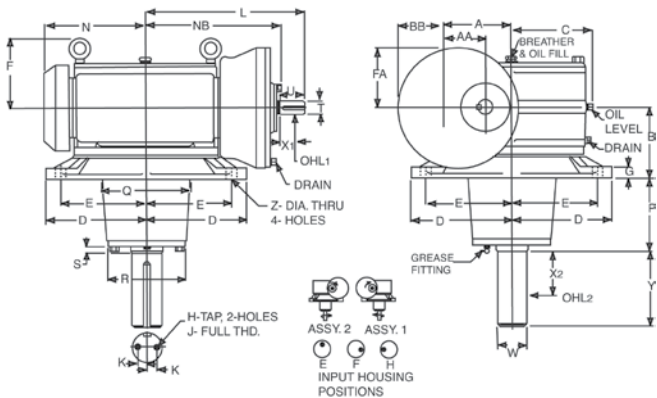
Size	A	AA	AB	B	BB	BC	C	D	E	F	G	H-TAP	J	K	L	N	NA
DVBX-50	5	2-1/2	7-7/8	7	3-5/8	2-1/8	6-5/8	8	7	6-7/8	1-1/4	3/8-16	1	3/4	10-3/8	5-1/16	3-5/8
DVBX-60	6	3	9-1/2	7-3/4	4-3/8	2-9/16	7-3/4	9-3/4	8-1/2	7-1/4	1-1/2	3/8-16	1	1	12-1/8	5-7/8	4-3/16
DVBX-70	7	3-1/2	10-3/8	9	4-3/4	2-9/16	8-3/8	11	9-1/2	7-3/8	1-3/4	5/8-11	1-1/2	1-1/16	14	6-9/16	5
DVBX-90	9	5	13-1/8	10-1/16	6-1/8	3-11/16	10-1/2	14	12	9-1/4	2	5/8-11	1-1/2	1-3/16	17-3/4	8-9/16	6-7/16

Size	NC	P	Q	R	S	T	U	KEYWAY	X1	W	Y	KEYWAY	X2	Z
DVBX-50	8-3/16	5	6-3/4	6-1/16	3/4	11/16	1-3/4	3/16x3/32x1-11/16	7/8	2.187	5-1/2	1/2x1/4x5-3/8	3-15/16	13/16
DVBX-60	9-9/16	8	9-1/2	7-7/8	11/16	7/8	1-7/8	3/16x3/32x1-13/16	15/16	2.937	7-1/2	3/4x3/8x6-3/8	5	15/16
DVBX-70	10-3/16	8	11	9-1/4	5/8	1	2	1/4x1/8x1-15/16	1	3.437	7-1/2	7/8x7/16x6-7/16	5	1-1/8
DVBX-90	13-3/8	8-1/16	12-7/8	10	11/16	1-3/8	2-5/16	5/16x5/32x2-1/4	1-5/32	3.937	7-1/2	1x1/2x6-1/2	5	1-5/16

### Double-Worm Type DVBOX Output Shaft Up



### Helical-Worm Type HVBX Output Shaft Down

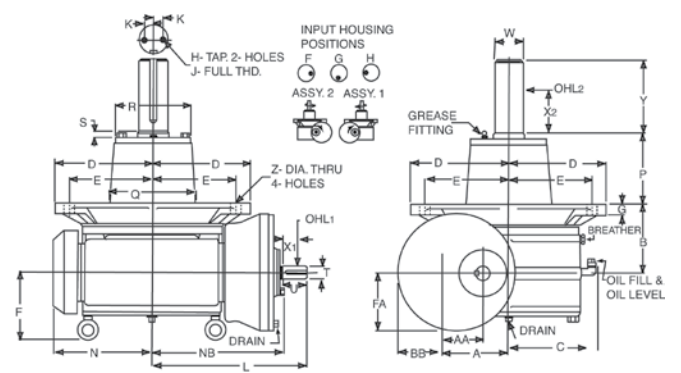


Size	OHL <sub>1</sub> LBS.	OHL <sub>2</sub> LBS.
HVBX-50	125	3,000
HVBX-60	190	5,000
HVBX-70	225	10,000
HVBX-90	550	14,000

Size	A	AA	B	BB	C	D	E	F	FA	G	H-TAP	J	K	L	N	NB	P
HVBX-50	5	3-1/2	7	3-15/16	6-5/8	8	7	6-7/8	5-1/16	1-1/4	3/8-16	1	3/4	12-5/8	8-5/8	10-3/8	5
HVBX-60	6	4	7-3/4	4-1/2	7-3/4	9-3/4	8-1/2	7-1/4	5-7/8	1-1/2	3/8-16	1	1	14-3/4	10-1/16	12-1/4	8
HVBX-70	7	4-1/2	9	5	8-3/8	11	9-1/2	7-3/8	6-1/2	1-3/4	5/8-11	1-1/2	1-1/16	16-3/8	10-3/4	13-5/8	8
HVBX-90	9	5	10-1/16	5-15/16	10-1/2	14	12	9-1/4	7-13/16	2	5/8-11	1-1/2	1-3/16	20-1/8	13-13/16	16-11/16	8-1/16

Size	Q	R	S	T	U	KEYWAY	X1	W	Y	KEYWAY	X2	Z
HVBX-50	6-3/4	6-1/16	3/4	1-1/8	2-1/4	1/4x1/8x2-3/16	1-1/8	2.187	5-1/2	1/2x1/4x5-3/8	3-15/16	13/16
HVBX-60	9-1/2	7-7/8	11/16	1-1/4	2-1/2	1/4x1/8x2-7/16	1-1/4	2.937	7-1/2	3/4x3/8x6-3/8	5	15/16
HVBX-70	11	9-1/4	5/8	1-3/8	2-3/4	5/16x5/32x2-11/16	1-3/8	3.437	7-1/2	7/8x7/16x6-7/16	5	1-1/8
HVBX-90	12-7/8	10	11/16	1-3/4	3-1/2	3/8x3/16x3-7/16	1-3/4	3.937	7-1/2	1x1/2x6-1/2	5	1-5/16

### Helical-Worm Type HVBOX Output Shaft Up



**Belted Drives and Sheaves**

**TB Wood's**

*Belted Drives*  
Chambersburg, PA - USA  
**1-888-829-6637** – Press #5  
*For application assistance:*  
1-888-829-6637 – Press #7

**Couplings**

**Ameridrives Couplings**

*Mill Spindles, Ameriflex, Ameridisc*  
Erie, PA - USA  
**1-814-480-5000**  
*Gear Couplings*  
San Marcos, TX - USA  
**1-800-458-0887**

**Ameridrives Power Transmission**

*Universal Joints, Drive Shafts, Mill Gear Couplings*  
Green Bay, WI - USA  
**1-920-593-2444**

**Bibby Turboflex**

*Disc, Gear, Grid Couplings, Overload Clutches*  
Dewsbury, England  
**+44 (0) 1924 460801**  
Boksburg, South Africa  
**+27(0) 11 918 4270**

**Guardian Couplings**

*Engineered Flywheel Couplings, Engine Housings and Pump Mounts, Flexible Shaft Couplings*  
Michigan City, IN - USA  
**1-219-874-5248**

**Huco Dynatork**

*Precision Couplings and Air Motors*  
Hertford, England  
**+44 (0) 1992 501900**  
Chambersburg, PA - USA  
**1-888-829-6637**

**Couplings Cont.**

**Lamiflex Couplings**

*Flexible Couplings, Bearing Isolators, and Coupling Guards*  
Cotia, SP - Brasil  
**+55 (11) 4615-6300**

**TB Wood's**

*Elastomeric Couplings*  
Chambersburg, PA - USA  
**1-888-829-6637** – Press #5  
*For application assistance:*  
1-888-829-6637 – Press #7  
*General Purpose Disc Couplings*  
San Marcos, TX - USA  
**1-888-449-9439**

**Electromagnetic Clutches and Brakes**

**Inertia Dynamics**

*Spring Set Brakes; Power On and Wrap Spring Clutch/Brakes*  
New Hartford, CT - USA  
**1-800-800-6445**

**Matrix International**

*Electromagnetic Clutches and Brakes, Pressure Operated Clutches and Brakes*  
Brechtin, Scotland  
**+44 (0) 1356 602000**  
New Hartford, CT - USA  
**1-800-825-6544**

**Warner Electric**

*Electromagnetic Clutches and Brakes*  
New Hartford, CT - USA  
**1-800-825-6544**  
*For application assistance:*  
1-800-825-9050  
Saint Barthélemy d'Anjou, France  
**+33 (0)2 41 21 24 24**  
*Precision Electric Coils and Electromagnetic Clutches and Brakes*  
Columbia City, IN - USA  
**1-260-244-6183**

**Engineered Bearing Assemblies**

**Kilian Manufacturing**

*Engineered Bearing Assemblies*  
Syracuse, NY - USA  
**1-315-432-0700**

**Gearing**

**Bauer Gear Motor**

*Geared Motors*  
Esslingen, Germany  
**+49 (711) 3518-0**  
Somerset, NJ - USA  
**1-732-469-8770**

**Boston Gear**

*Enclosed and Open Gearing, Electrical and Mechanical P.T. Components*  
Charlotte, NC - USA  
**1-800-825-6544**  
*For application assistance:*  
1-800-816-5608

**Nuttall Gear and Delroyd Worm Gear**

*Worm Gear and Helical Speed Reducers*  
Niagara Falls, NY - USA  
**1-716-298-4100**

**Heavy Duty Clutches and Brakes**

**Industrial Clutch**

*Pneumatic and Oil Immersed Clutches and Brakes*  
Waukesha, WI - USA  
**1-262-547-3357**

**Svendborg Brakes**

*Industrial Brakes and Brake Systems*  
Vejstrup, Denmark  
**+45 63 255 255**

**Twiflex Limited**

*Caliper Brakes and Thrusters*  
Wichita Falls, TX - USA  
**1-844-723-3483**  
Twickenham, England  
**+44 (0) 20 8894 1161**

**Heavy Duty Clutches and Brakes Cont.**

**Wichita Clutch**

*Pneumatic Clutches and Brakes*  
Wichita Falls, TX - USA  
**1-800-964-3262**  
Bedford, England  
**+44 (0) 1234 350311**

**Linear Products**

**Warner Linear**

*Linear Actuators*  
Belvidere, IL - USA  
**1-800-825-6544**  
*For application assistance:*  
1-800-825-9050  
Saint Barthélemy d'Anjou, France  
**+33 (0)2 41 21 24 24**

**Overrunning Clutches**

**Formsprag Clutch**

*Overrunning Clutches and Holdbacks*  
Warren, MI - USA  
**1-800-348-0881** – Press #1  
*For application assistance:*  
1-800-348-0881 – Press #2

**Marland Clutch**

*Roller Ramp and Sprag Type Overrunning Clutches and Backstops*  
South Beloit, IL - USA  
**1-800-216-3515**

**Stieber Clutch**

*Overrunning Clutches and Holdbacks*  
Heidelberg, Germany  
**+49 (0) 6221-30470**

For information concerning our sales offices in Asia Pacific check our website [www.altramotion.com.cn](http://www.altramotion.com.cn)



[www.delroyd.com](http://www.delroyd.com)

2221 Niagra Falls Boulevard  
Niagra Falls, NY 14304 - USA  
716-298-4100  
Fax: 716-298-4101