

# Backstopping Clutches

## LCB

### Backstopping Ball Bearing Supported, Sprag Clutches



- Wide speed range between 0 and (LCB-200 3600/ LCB-400 1800 RPM).
- Wide temperature operating range between -13 and 194 °F (-25 and 90 °C).
- Wide bore range for fan shaft (LCB-200 Max 3.5”/ LCB-400 Max 5”) (89mm and 127mm).
- Torque capacity (LCB-200 150 lb.ft (200Nm)/ LCB-400 850 lb.ft (1150Nm).
- Drag torque, negligible, less than 1.5 lb.in.
- Easy to install requiring only LCB-200 1.125” and LCB-400 2” of shaft engagement.
- Lubricated for life (no maintenance required).
- Bearing life L10 is over 200 years.
- Compact design with only LCB-200 2-7/8”/ LCB-400 4.95” required space beyond the shaft end of the fan.
- Self actuated with no power or utility required to operate.
- Shaft mounted design has been tested to over 200% torque capacity.
- Flexible torque arm design.
- Meets ISO “G” 30 Balance

For further information see Installation and Maintenance Bulletin No. A-3041, P-4051.

The Model LCB-200 and 400 were designed to economically meet the problem of windmilling in fan applications.

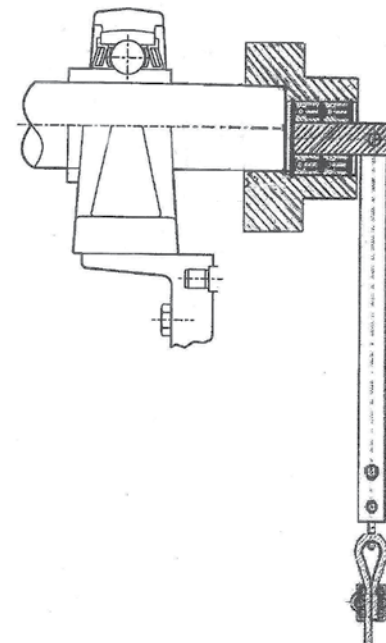
The Model LCB-200 and 400 are economical low torque clutches which can accommodate a range of shaft diameters between 1-7/8” and 5”.

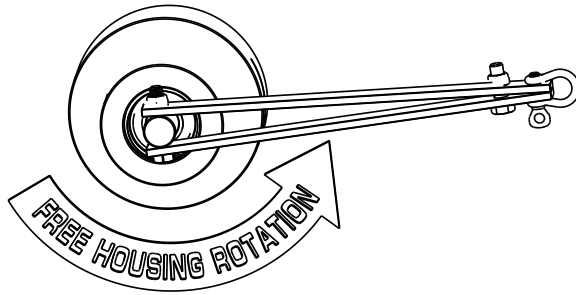
These clutches can be installed on vertical or horizontal fan shafts without the use of a key. These clutches are maintenance free and easy to install.

### Specifications

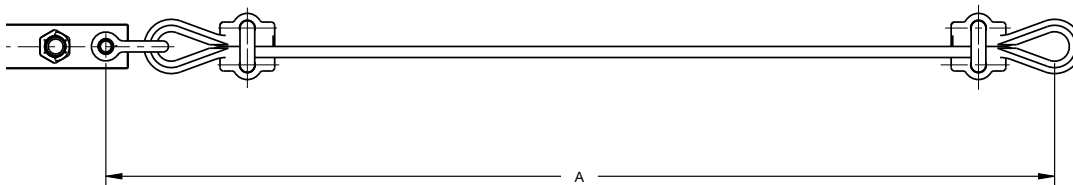
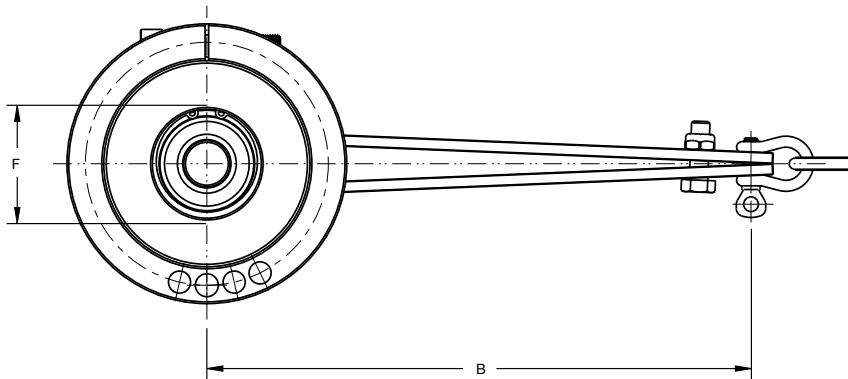
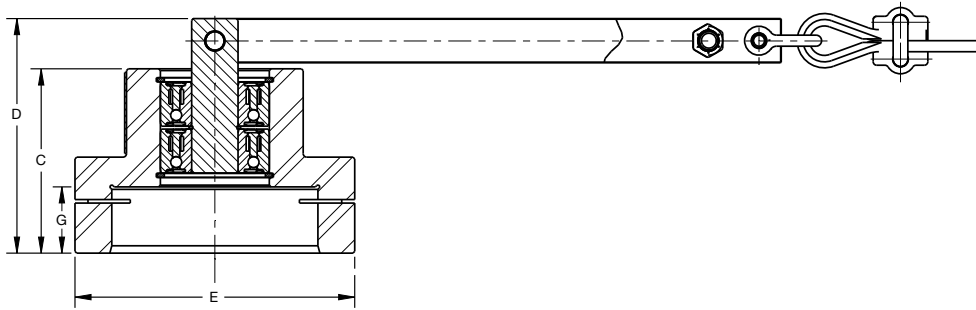
Formsprag Model LCB				
Size	Torque Capacity lb.ft. (Nm)	Max Speed (RPM)	Resistance After Run-in lb.in. (Ncm)	Shipping Weight (lbs)
200	150 (200)	3,600	1.07 (12)	10.0
400	850 (1150)	1,800	1.78 (20)	70.0

### Typical Mounting Arrangements





Counterclockwise rotation as shown is left hand.  
Right hand rotation is opposite.



### Dimensions inches (mm)

Model	A	B	C	D	E	Bore Size		G
						Min. Bore Size	Max. Bore Size	
LCB-200	Approx. 16	9.25	3.13	3.98	4.75	Ø1.85	Ø3.50	1.12
	(406.40)	(234.95)	(79.50)	(101.09)	(120.65)	(46.99)	(88.90)	(28.45)
LCB-400	Approx. 32	10.75	5.38	6.95	8.00	Ø3.15	Ø5.00	2.00
	(812.80)	(273.05)	(136.65)	(176.53)	(203.20)	(80.01)	(127.00)	(50.80)