

Modular “Building Block” Clutches

RIZ..G2G3, G3G4

Backstopping Ball Bearing Supported, Centrifugal Throw-out (C/T) Sprag Clutches



Backstop Applications

Models RIZ..G2G3/G3G4 are centrifugal throw-out sprag type clutches with the inner race rotating. Only the inner race is designed for overrunning.

They are self-contained units designed for backstop applications. The overrunning speed must not be less than the minimum specified in the table. This must be considered if using a variable speed drive.

The restraining bolt must be fitted into a slot on a fixed part of the machine. The radial clearance should be 1% of the bolt diameter. The torque arm and bearings must not be axially loaded.

Model RIZ is equipped with G type covers featuring grease pockets and contact-free seals.

When ordered complete, the unit is shipped grease lubricated, ready for either horizontal or vertical installation.

Specifications


Size	Torque Capacity lb.ft. (Nm)	Overrunning Speed Max. RPM			Lubrication	Shipping Weight lb. (kg)
		Max Drive	Sprag Lift-off	Inner Race Overrunning		
30	276 (375)	350	780	9,000	Grease	9.92 (4.5)
35	406 (550)	320	740	8,500	Grease	12.35 (5.6)
40	590 (800)	315	720	7,500	Grease	18.74 (8.5)
45	673 (912)	285	665	6,600	Grease	19.62 (8.9)
50	1,033 (1400)	265	610	6,000	Grease	28.22 (12.8)
60	1,734 (2350)	200	490	5,300	Grease	42.56 (19.3)
70	2,250 (3050)	210	480	4,100	Grease	51.82 (23.5)
80	3,321 (4500)	190	450	3,600	Grease	70.56 (32)
90	4,132 (5600)	180	420	2,700	Grease	104.08 (47.2)
100	7,748 (10500)	200	455	2,700	Grease	167.58 (76)
130	11,623 (15750)	180	415	2,400	Grease	242.55 (110)

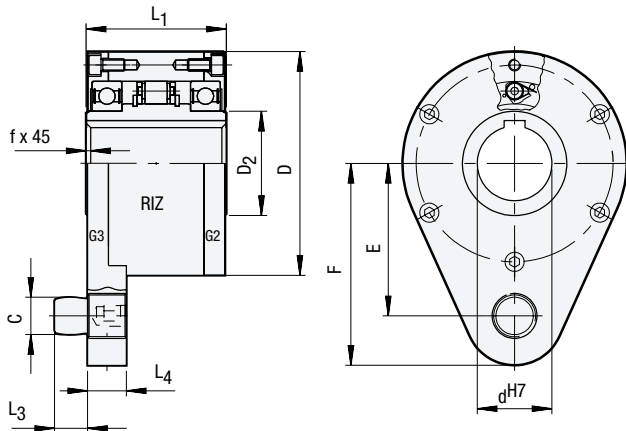
Note: When ordering, please specify direction of rotation.

Modular “Building Block” Clutches


RIZ..G2G3, G3G4

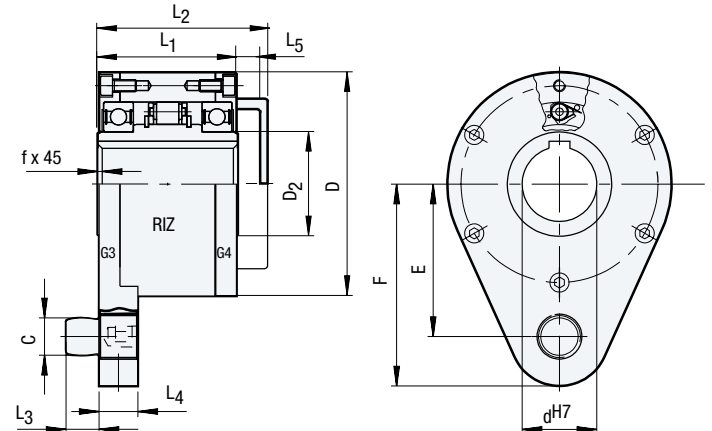
RIZ..G2G3

View from
this end 



RIZ..G3G4

View from
this end 



Dimensions inches (mm)

Size	d ^{H7}	D	D ₂	C	L ₁	L ₂	L ₃	L ₄	F	E	L ₅	f
30	1.18 (30)	3.94 (100)	1.77 (45)	0.63 (16)	2.68 (68)	3.46 (88)	0.55 (14)	0.71 (18)	3.62 (92)	2.68 (68)	0.39 (10)	0.04 (1)
35	1.38 (35)	4.33 (110)	1.97 (50)	0.79 (20)	2.91 (74)	3.78 (96)	0.71 (18)	0.98 (25)	4.02 (102)	2.99 (76)	0.47 (12)	0.04 (1)
40	1.57 (40)	4.92 (125)	2.17 (55)	0.79 (20)	3.39 (86)	4.29 (109)	0.71 (18)	0.98 (25)	4.41 (112)	3.35 (85)	0.47 (12)	0.06 (1.5)
45	1.77 (45)	5.12 (130)	2.36 (60)	0.98 (25)	3.39 (86)	4.29 (109)	0.87 (22)	0.98 (25)	4.72 (120)	3.54 (90)	0.47 (12)	0.06 (1.5)
50	1.97 (50)	5.91 (150)	2.76 (70)	0.98 (25)	3.70 (94)	4.57 (116)	0.87 (22)	0.98 (25)	5.31 (135)	4.02 (102)	0.47 (12)	0.06 (1.5)
60	2.36 (60)	6.69 (170)	3.15 (80)	1.26 (32)	4.49 (114)	5.47 (139)	0.98 (25)	1.18 (30)	5.71 (145)	4.41 (112)	0.59 (15)	0.08 (2)
70	2.76 (70)	7.48 (190)	3.54 (90)	1.50 (38)	5.28 (134)	6.61 (168)	1.18 (30)	1.38 (35)	6.89 (175)	5.31 (135)	0.63 (16)	0.10 (2.5)
80	3.15 (80)	8.27 (210)	4.13 (105)	1.50 (38)	5.67 (144)	7.01 (178)	1.18 (30)	1.38 (35)	7.28 (185)	5.71 (145)	0.63 (16)	0.10 (2.5)
90	3.54 (90)	9.06 (230)	4.72 (120)	1.97 (50)	6.22 (158)	7.56 (192)	1.57 (40)	1.77 (45)	8.07 (205)	6.10 (155)	0.63 (16)	0.12 (3)
100	3.94 (100)	10.63 (270)	5.51 (140)	1.97 (50)	7.17 (182)	8.54 (217)	1.57 (40)	1.77 (45)	9.06 (230)	7.09 (180)	0.63 (16)	0.12 (3)
130	5.12 (130)	12.20 (310)	6.30 (160)	2.68 (68)	8.35 (212)	9.84 (250)	2.17 (55)	2.36 (60)	10.55 (268)	8.07 (205)	0.71 (18)	0.12 (3)

Note: For bore and keyseat information see page 105.