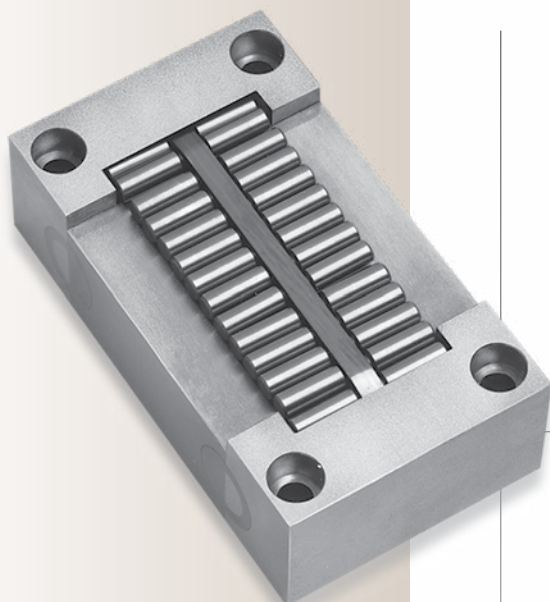


I N T R O D U C I N G

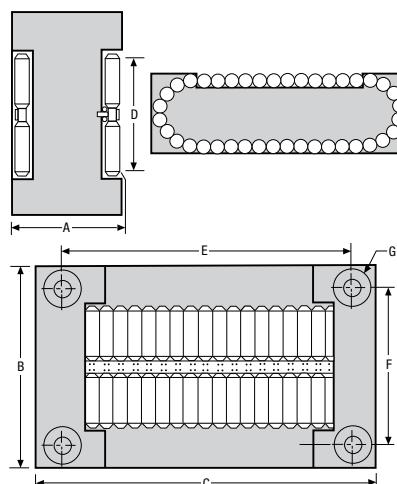
Formsprag Rollerway Bearings



Advantages

- Rugged
- Stiff line contact rollers
- High load/life ratings
- High Shock Capacity
- Coefficient of friction .005

Use for supporting and guiding heavy duty machine elements. Anti-friction characteristics assure smooth operation.



Rated Load for given travel (lbs.)

Model No.	Print No.	10 ⁶ Inches	10 ⁷ Inches	10 ⁸ Inches	10 ⁹ Inches	Static Load
RWB100	RW20100	4,600	2,500	1,250	625	4,650
RWB200	RW20200	11,000	5,700	2,850	1,425	11,160
RWB300	RW20300	22,000	11,000	5,500	2,750	24,650
RWB400	RW20400	43,200	21,600	10,800	5,400	44,000

Model No.	Print No.	A Height (in)	B Width (in)	C Length (in)	D Effective Width (in)	E (in)	F (in)	G Screw Size (in)
RWB100	RW20100	$\frac{.6250}{.6246}$	$\frac{1.002}{.998}$	$\frac{1.877}{1.873}$.570	$\frac{1.630}{1.620}$	$\frac{.786}{.776}$	No. 4
RWB200	RW20200	$\frac{.8125}{.8121}$	$\frac{1.502}{1.498}$	$\frac{2.627}{2.623}$.855	$\frac{2.255}{2.245}$	$\frac{1.161}{1.151}$	No. 8
RWB300	RW20300	$\frac{1.1250}{1.1246}$	$\frac{2.127}{2.123}$	$\frac{3.752}{3.748}$	1.240	$\frac{3.130}{3.120}$	$\frac{1.693}{1.683}$	1/4
RWB400	RW20400	$\frac{1.5625}{1.5621}$	$\frac{2.877}{2.873}$	$\frac{5.002}{4.998}$	1.710	$\frac{4.255}{4.245}$	$\frac{2.317}{2.307}$	5/16