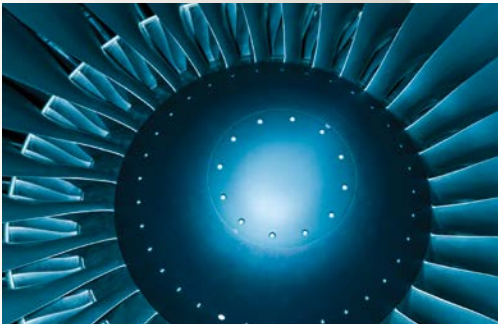


I N T R O D U C I N G



LCB-200 & 400 Fan Backstops

Stop fan windmilling automatically
and extend the life of your fan system



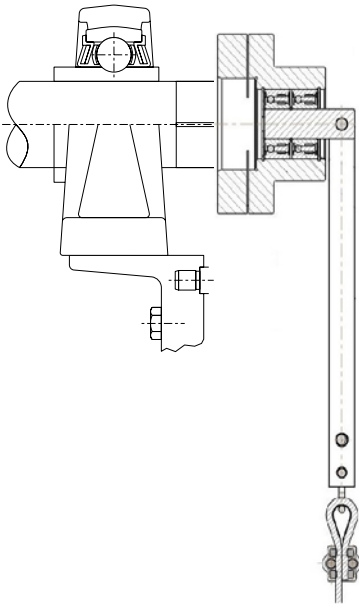
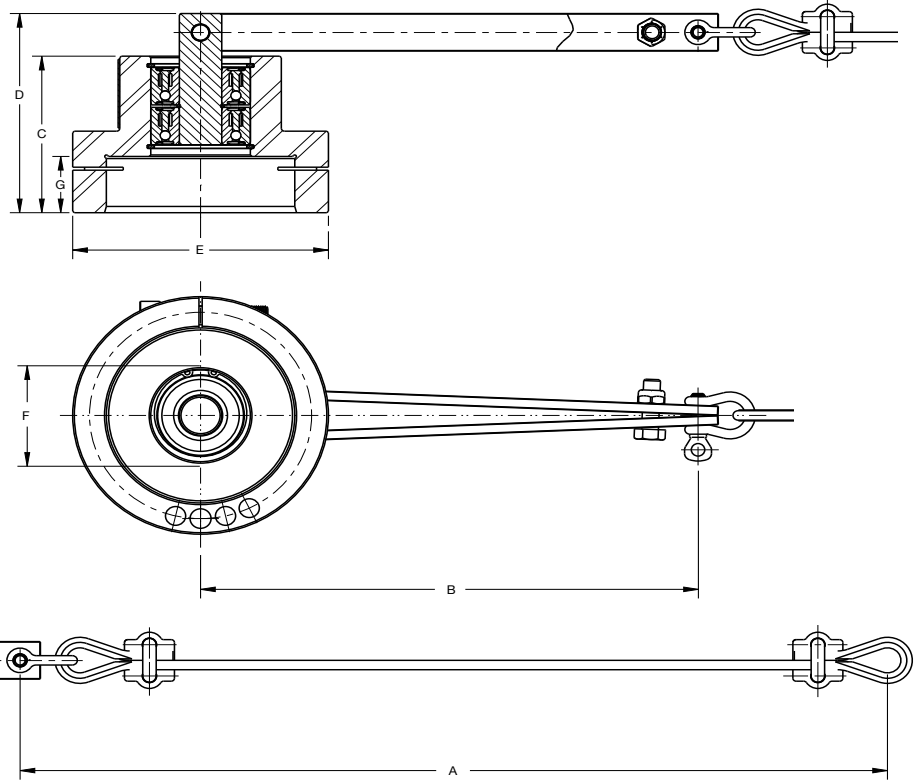
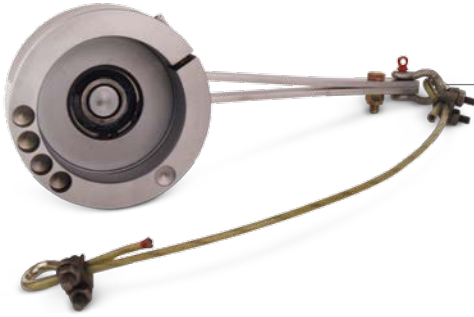
More than 60 years of backstopping experience

Formsprag has created a new design to economically meet the problem of wind-milling in fan applications.

The Model LCB-200 and 400 are economical low torque clutches which can accommodate a range of shaft diameters between 1-7/8" and 5".

These clutches can be installed on vertical or horizontal fan shafts without the use of a key. These clutches are maintenance free and easy to install.

Formsprag Model LCB-200 & 400 Fan Backstop



Model	A	B	C	D	E	F	
						Min. Bore Size	Max. Bore Size
LCB-200	Approx. 16"	9.25"	3.13"	3.98"	Ø4.75"	Ø1.85"	Ø3.50"
LCB-400	Approx. 32"	10.75"	5.38"	6.95"	Ø8.00"	Ø3.15"	Ø5.00"

Some of the Model LCB features are:

- Wide speed range between 0 and (LCB-200 3,600/ LCB-400 1,800 RPM).
- Wide temperature operating range between -13 to 194 °F (-25 to 90 °C).
- Wide bore range for fan shaft (LCB-200 Max 3.5"/ LCB-400 Max 5") (89mm and 127mm).
- Torque capacity (LCB-200 150 lb.ft (200Nm)/ LCB-400 850 lb.ft (1150Nm).
- Drag torque, negligible, less than 1.5 lb.in.
- Easy to install requiring only LCB-200 1.125" and LCB-400 2" of shaft engagement.
- Lubricated for life (no maintenance required).
- Bearing life L10 is over 200 years.
- Compact design with only LCB-200 2-7/8"/ LCB-400 4.95" required space beyond the shaft end of the fan.
- Self actuated with no power or utility required to operate.
- Shaft mounted design has been tested to over 200% torque capacity.
- Flexible torque arm design.
- Meets ISO "G" 30 Balance