

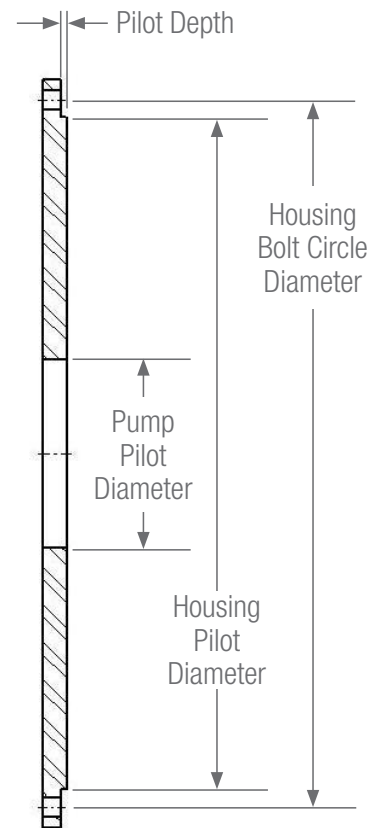
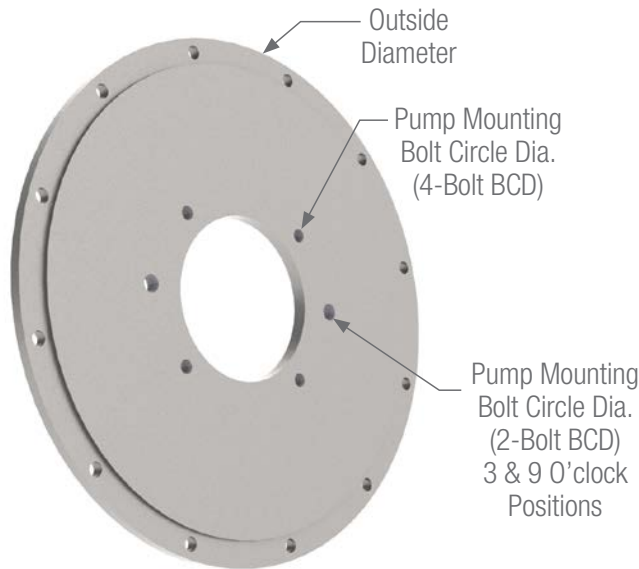


Pump Mounting Plates & Spacers/ Adapters



PUMP MOUNTING PLATES

- Manufactured from steel
- SAE sizes 1 thru 6 from stock
- SAE 0 & 00 available upon request
- Plain and zinc finish from stock
- E-coat, black oxide & powder coat available upon request



Guardian Steel Pump Mounting Plates						
Housing Size	Housing Pilot Diameter	Outside Diameter	Housing Bolt Circle Diameter	Number Of Bolt Holes	Plate Thickness	Pilot Depth
1	20.125"	21.750"	20.875"	12	.750"	.125"
2	17.625"	19.250"	18.375"	12	.750"	.125"
3	16.125"	17.750"	16.875"	12	.500" & .750"	.125"
4	14.250"	15.875"	15.000"	12	.500"	.125"
5	12.375"	14.000"	13.125"	8	.500"	.125"
6	10.500"	12.125"	11.250"	8	.500"	.125"

Pump Mounting Flange Information

SAE 2 Bolt Mounting Flanges			
Mounting Flange SAE	Pump Pilot Diameter	Bolt Circle Diameter	Tapped Holes
AA	2.000"	3.250"	5/16-18
A	3.250"	4.187"	3/8-16
B	4.000"	5.750"	1/2-13
C	5.000"	7.125"	5/8-11
D	6.000"	9.000"	3/4-10
E	6.500"	12.500"	1-8
F	7.000"	13.781"	1-8

SAE 4 Bolt Mounting Flanges			
Mounting Flange SAE	Pump Pilot Diameter	Bolt Circle Diameter	Tapped Holes
AA	1.781"	2.838"	5/16-18
A	3.250"	4.125"	3/8-16
B	4.000"	5.000"	1/2-13
C	5.000"	6.375"	1/2-13
D	6.000"	9.000"	3/4-10
E	6.500"	12.500"	3/4-10
F	7.000"	13.781"	1-8

SAE SPACERS / ADAPTORS

- Manufactured in steel & aluminum
- SAE 0 thru 6 available
- Custom applications available upon request
- Zinc, e-coat, black oxide & powder coat available upon request

Pump Mounting Plates

Guardian Part Number (Plain Steel)	SAE Housing Size	Bolt Pattern	Plate Thickness	SAE Pilot Size
15668	#1	2-BOLT	.750"	SAE "C" 5.00"
15669	#1	4-BOLT	.750"	SAE "C" 5.00"
1566905	#1	2 & 4 BOLT	.750"	SAE "C" 5.00"
1566917	#1	2-BOLT	.750"	SAE "D" 6.00"
156692	#1	4-BOLT	.750"	SAE "D" 6.00"
1566921	#1	2 & 4 BOLT	.750"	SAE "D" 6.00"
1566923	#1	2-BOLT	.750"	SAE "E" 6.50"
1566926	#1	4-BOLT	.750"	SAE "E" 6.50"
15669265	#1	2-BOLT	.750"	SAE "F" 7.00"
1566929	#1	4-BOLT	.750"	SAE "F" 7.00"
1566958	#2	2-BOLT	.750"	SAE "C" 5.00"
1566962	#2	4-BOLT	.750"	SAE "C" 5.00"
1566965	#2	2 & 4 BOLT	.750"	SAE "C" 5.00"
1566970	#2	2-BOLT	.750"	SAE "D" 6.00"
1566973	#2	4-BOLT	.750"	SAE "D" 6.00"
1566975	#2	2 & 4 BOLT	.750"	SAE "D" 6.00"
1566986	#2	2-BOLT	.750"	SAE "E" 6.50"
156699	#2	4-BOLT	.750"	SAE "E" 6.50"
15673	#3	2-BOLT	.500"	SAE "B" 4.00"
15676	#3	4-BOLT	.500"	SAE "B" 4.00"
15677	#3	2 & 4 BOLT	.500"	SAE "B" 4.00"
15679	#3	2-BOLT	.500"	SAE "C" 5.00"
15682	#3	4-BOLT	.500"	SAE "C" 5.00"
15685	#3	2 & 4 BOLT	.500"	SAE "C" 5.00"
15690	#3	2-BOLT	.500"	SAE "D" 6.00"
15693	#3	4-BOLT	.500"	SAE "D" 6.00"
15694	#3	2 & 4 BOLT	.500"	SAE "D" 6.00"
15705	#4	2-BOLT	.500"	SAE "A" 3.25"
15706	#4	4-BOLT	.500"	SAE "A" 3.25"
15704	#4	2 & 4 BOLT	.500"	SAE "A" 3.25"
15710	#4	2-BOLT	.500"	SAE "B" 4.00"
15715	#4	4-BOLT	.500"	SAE "B" 4.00"
157155	#4	2 & 4 BOLT	.500"	SAE "B" 4.00"
15718	#4	2-BOLT	.500"	SAE "C" 5.00"
15720	#4	4-BOLT	.500"	SAE "C" 5.00"
15722	#4	2 & 4 BOLT	.500"	SAE "C" 5.00"
15953	#5	2-BOLT	.500"	SAE "A" 3.25"
15954	#5	4-BOLT	.500"	SAE "A" 3.25"
159544	#5	2 & 4 BOLT	.500"	SAE "A" 3.25"
15955	#5	2-BOLT	.500"	SAE "B" 4.00"
15960	#5	4-BOLT	.500"	SAE "B" 4.00"
15963	#5	2 & 4 BOLT	.500"	SAE "B" 4.00"
15978	#5	2-BOLT	.500"	SAE "C" 5.00"
15970	#5	4-BOLT	.500"	SAE "C" 5.00"
15982	#5	2 & 4 BOLT	.500"	SAE "C" 5.00"
159956	#6	2-BOLT	.500"	SAE "A" 3.25"
159957	#6	4-BOLT	.500"	SAE "A" 3.25"
159958	#6	2 & 4 BOLT	.500"	SAE "A" 3.25"
15996	#6	2-BOLT	.500"	SAE "B" 4.00"
159965	#6	4-BOLT	.500"	SAE "B" 4.00"
159967	#6	2 & 4 BOLT	.500"	SAE "B" 4.00"
15998	#6	2-BOLT	.500"	SAE "C" 5.00"
159982	#6	4-BOLT	.500"	SAE "C" 5.00"
159983	#6	2 & 4 BOLT	.500"	SAE "C" 5.00"

*SAE #3 Pump Mounting Plates are also available in .750" thickness

Spacers			
Model	SAE HSG #	Material	Offset
GISP06.05S	SAE 6	STEEL	0.500"
GISP06.06S	SAE 6	STEEL	0.625"
GISP06.10S	SAE 6	STEEL	1.000"
GISP05.05S	SAE 5	STEEL	0.500"
GISP05.10S	SAE 5	STEEL	1.000"
GISP04.05S	SAE 4	STEEL	0.500"
GISP04.10S	SAE 4	STEEL	1.000"
GISP04.11S	SAE 4	STEEL	1.130"
GISP04.13S	SAE 4	STEEL	1.250"
GISP03.05S	SAE 3	STEEL	0.500"
GISP03.10S	SAE 3	STEEL	1.000"
GISP03.13S	SAE 3	STEEL	1.250"
GISP03.15S	SAE 3	STEEL	1.500"
GISP03.21S	SAE 3	STEEL	2.187"
GISP03.25S	SAE 3	STEEL	2.500"
GISP02.10A	SAE 2	ALUMINUM	1.000"
GISP01.05A	SAE 1	ALUMINUM	0.500"
GISP01.10A	SAE 1	ALUMINUM	1.000"

Housing Adaptors (Single Step)			
Model	SAE HSG #	Material	Offset
GIAD1.65.10A	SAE 6 / SAE 5	ALUMINUM	1.000"
GIAD1.54.10A	SAE 5 / SAE 4	ALUMINUM	1.000"
GIAD1.45.01A	SAE 4 / SAE 5	ALUMINUM	0.120"
GIAD1.45.08A	SAE 4 / SAE 5	ALUMINUM	0.750"
GIAD1.43.10A	SAE 4 / SAE 3	ALUMINUM	1.000"
GIAD1.34.01 S	SAE 3 / SAE 4	STEEL	0.120"
GIAD1.34.05A	SAE 3 / SAE 4	ALUMINUM	0.500"
GIAD1.34.10A	SAE 3 / SAE 4	ALUMINUM	1.000"
GIAD1.32.10A	SAE 3 / SAE 2	ALUMINUM	1.000"
GIAD1.23.01 S	SAE 2 / SAE 3	STEEL	0.130"
GIAD1.23.10A	SAE 2 / SAE 3	ALUMINUM	1.000"
GIAD1.21.10A	SAE 2 / SAE 1	ALUMINUM	1.000"
GIAD1.12.00S	SAE 1 / SAE 2	STEEL	0.000"
GIAD1.12.10A	SAE 1 / SAE 2	ALUMINUM	1.000"
GIAD1.12.27S	SAE 1 / SAE 2	STEEL	2.766"
GIAD1.000.10S	SAE 00/SAE 0	STEEL	1.000"

Housing Adaptors (Double Step)			
Model	SAE HSG	Material	Offset
GIAD2.53.00A	SAE 5 / SAE 3	ALUMINUM	0.000"
GIAD2.42.10A	SAE 4 / SAE 2	ALUMINUM	1.000"
GIAD2.35.00A	SAE 3 / SAE 5	ALUMINUM	0.000"
GIAD2.31.10A	SAE 3 / SAE 1	ALUMINUM	1.000"
GIAD2.24.00A	SAE 2 / SAE 4	ALUMINUM	0.000"
GIAD2.24.10A	SAE 2 / SAE 4	ALUMINUM	1.000"
GIAD2.13.00A	SAE 1 / SAE 3	ALUMINUM	0.000"
GIAD2.13.10A	SAE 1 / SAE 3	ALUMINUM	1.000"
GIAD2.10.10A	SAE 1 / SAE 0	ALUMINUM	1.000"
GIAD2.01.00S	SAE 0 / SAE 1	STEEL	0.000"
GIAD2.01.10A	SAE 0 / SAE 1	ALUMINUM	1.000"

SAE Housing Spacer



Single Step Adaptor



Double Step Adaptor



Guardian Couplings Facilities

North America

USA

300 Indiana Highway 212
Michigan City, IN 46360
219-874-5248

Engineered Flywheel Couplings, Engine Housings and Pump Mounts, Flexible Shaft Couplings

Europe

United Kingdom

Merchant Drive, Hertford
Hertfordshire SG13 7BL - England
+44(0)1992 501900

Engineered Flywheel Couplings, Engine Housings and Pump Mounts, Flexible Shaft Couplings

The Brands of Altra Industrial Motion

Couplings

Ameridrives
www.ameridrives.com

Bibby Turboflex
www.bibbyturboflex.com

Guardian Couplings
www.guardiancouplings.com

Huco
www.huco.com

Lamiflex Couplings
www.lamiflexcouplings.com

Stromag
www.stromag.com

TB Wood's
www.tbwoods.com

G geared Cam Limit Switches

Stromag
www.stromag.com

Electric Clutches & Brakes

Inertia Dynamics
www.idicb.com

Matrix
www.matrix-international.com

Stromag
www.stromag.com

Warner Electric
www.warnerelectric.com

Linear Products

Warner Linear
www.warnerlinear.com

Engineered Bearing Assemblies

Kilian
www.kilianbearings.com

Heavy Duty Clutches & Brakes

Industrial Clutch
www.indclutch.com

Twiflex
www.twiflex.com

Stromag
www.stromag.com

Svendborg Brakes
www.svendborg-brakes.com

Wichita Clutch
www.wichitaclutch.com

Belted Drives

TB Wood's
www.tbwoods.com

Gearing

Bauer Gear Motor
www.bauergears.com

Boston Gear
www.bostongear.com

Delroyd Worm Gear
www.delroyd.com

Nuttall Gear
www.nuttallgear.com

Overrunning Clutches

Formsprag Clutch
www.formsprag.com

Marland Clutch
www.marland.com

Stieber
www.stieberclutch.com

Neither the accuracy nor completeness of the information contained in this publication is guaranteed by the company and may be subject to change in its sole discretion. The operating and performance characteristics of these products may vary depending on the application, installation, operating conditions and environmental factors. The company's terms and conditions of sale can be viewed at <http://www.altramotion.com/terms-and-conditions/sales-terms-and-conditions>. These terms and conditions apply to any person who may buy, acquire or use a product referred to herein, including any person who buys from a licensed distributor of these branded products.

©2018 by Guardian Couplings LLC. All rights reserved. All trademarks in this publication are the sole and exclusive property of Guardian Couplings LLC or one of its affiliated companies.

