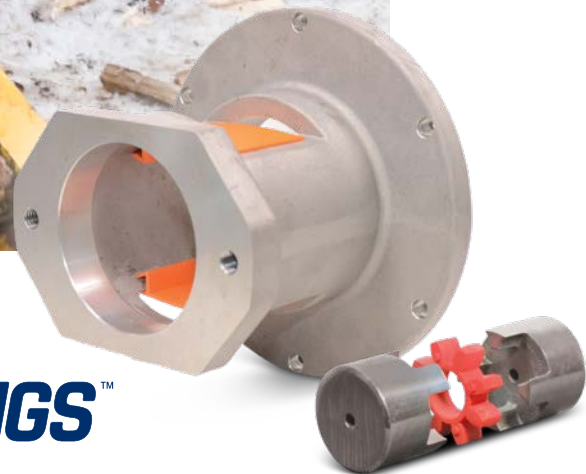




Honda Engine Drive Kits With Guardian's Curve Jaw Couplings



 **GUARDIAN COUPLINGS™**
A REGAL REXNORD BRAND

HONDA ENGINE DRIVE KITS

With Guardian's Curve Jaw Couplings

Guardian Industries Pump/Motor Mounts are designed for use with small gas engines which allow a direct connection to a hydraulic pump utilizing our curved jaw couplings. Castings are manufactured from a lightweight, high strength aluminum alloy. Each casting includes a custom molded access cover allowing for easy inspection of the drive coupling.

HONDA ENGINES GX 120 THRU GX 200

| Pump Pilot | # Of Bolts | BCD | Engine Pilot | Engine BCD | Engine Shaft Diameter | Engine Shaft Length | Guardian Adaptor# | Coupling Series |
|--------------|------------|--------|--------------|------------|-----------------------|---------------------|-------------------|-----------------|
| (1.78") 4F17 | 4 | 2.838" | 1.625" | 3.625" | 0.750" | 2.548" | G11-104-4.690F | 24/32 |
| (2.00") A-A | 2 | 3.250" | 1.625" | 3.625" | 0.750" | 2.548" | G11-106-4.69F | 24/33 |
| (3.25") A | 2 | 4.187" | 1.625" | 3.625" | 0.750" | 2.548" | G11-108-4.690F | 24/32 |

HONDA ENGINES GX 240 THRU GX 390

| Pump Pilot | # Of Bolts | BCD | Engine Pilot | Engine BCD | Engine Shaft Diameter | Engine Shaft Length | Guardian Adaptor# | Coupling Series |
|------------|------------|--------|--------------|------------|-----------------------|---------------------|-------------------|-----------------|
| (3.25") A | 2 | 4.187" | 5.750" | 6.500" | 1.000" | 3.640" | G16-134-6.000 | 24/32 |
| (4.00") B | 2 | 5.750" | 5.750" | 6.500" | 1.000" | 3.640" | G21-204-6.00F | 24/32 |

HONDA ENGINES GX 610 THRU GX 630

| Pump Pilot | # Of Bolts | BCD | Engine Pilot | Engine BCD | Engine Shaft Diameter | Engine Shaft Length | Guardian Adaptor# | Coupling Series |
|------------|------------|--------|--------------|------------|-----------------------|---------------------|-------------------|-----------------|
| (3.25") A | 2 | 4.187" | 5.750" | 6.500" | 1.000" | 2.910" | G16-134-5.625 | 24/32 |
| (4.00") B | 2 | 5.750" | 5.750" | 6.500" | 1.000" | 2.910" | G21-204-6.00F | 28/38 |

HONDA ENGINE GX 660 THRU GX 690

| Pump Pilot | # Of Bolts | BCD | Engine Pilot | Engine BCD | Engine Shaft Diameter | Engine Shaft Length | Guardian Adaptor# | Coupling Series |
|------------|------------|--------|--------------|------------|-----------------------|---------------------|-------------------|-----------------|
| (3.25") A | 2 | 4.187" | 5.750" | 6.500" | 1.125" | 3.776" | G18-148-6.750 | 28/38 |
| (4.00") B | 2 | 5.750" | 5.750" | 6.500" | 1.125" | 3.776" | G18-155-6.750 | 28/38 |

COUPLING SELECTION

SERIES 24/32 HUBS

| Shaft Diameter | Keyway | # Of Teeth | Guardian # |
|----------------|--------|------------|---------------|
| 0.625" | 0.156" | NA | 1682432PMB073 |
| 0.625" | 0.188" | NA | 1682432PMB075 |
| 0.750" | 0.188" | NA | 1682432PMB101 |
| 0.875" | 0.188" | NA | 1682432PMB150 |
| 0.875" | 0.250" | NA | 1682432PMB160 |
| 1.000" | 0.250" | NA | 1682432PMB200 |
| 0.625" | NA | 9 | 1682432PMB775 |
| 0.875" | NA | 13 | 1682432PMB802 |

SERIES 24/32 SPIDERS

| Duro | Guardian # |
|------------|-------------|
| 98 Shore A | 16624328 |
| 64 Shore D | 16624329*** |

***USE ONLY IN GX610, GX620 & GX630 SET-UPS

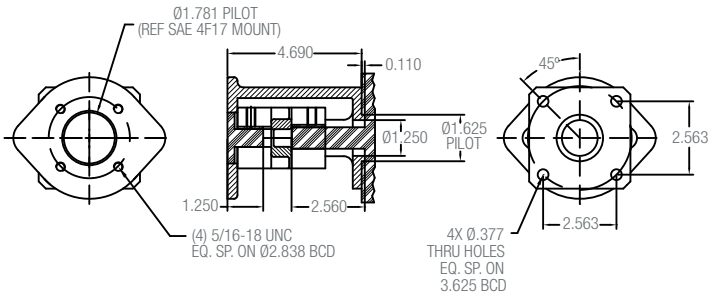
SERIES 28/38 HUBS

| Shaft Diameter | Keyway | # Of Teeth | Guardian # |
|----------------|--------|------------|---------------|
| 0.625" | 0.156" | NA | 1682838PMB070 |
| 0.625" | 0.188" | NA | 1682838PMB075 |
| 0.750" | 0.188" | NA | 1682838PMB090 |
| 0.875" | 0.188" | NA | 1682838PMB130 |
| 0.875" | 0.250" | NA | 1682838PMB131 |
| 1.000" | 0.250" | NA | 1682838PMB172 |
| 1.125" | 0.250" | NA | 1682838PMB225 |
| 0.625" | NA | 9 | 1682838PMB691 |
| 0.875" | NA | 13 | 1682838PMB770 |
| 1.000" | NA | 15 | 1682838PMB781 |

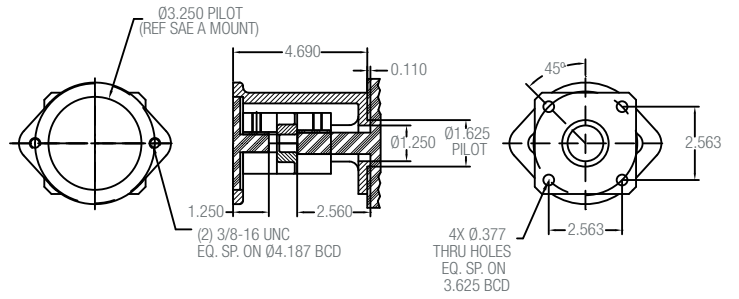
SERIES 28/38 SPIDERS

| Duro | Guardian # |
|------------|------------|
| 98 SHORE A | 16628388 |

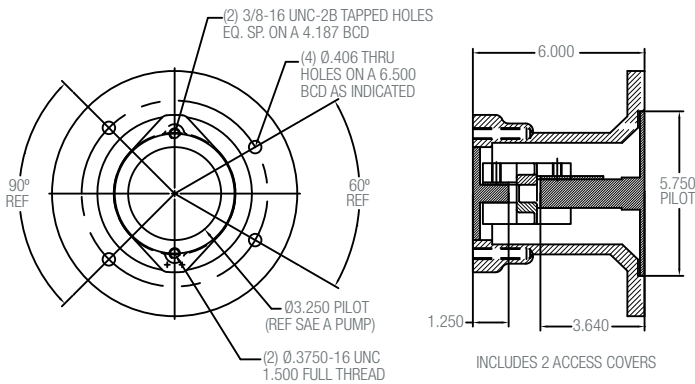
GX 100 THRU GX 200



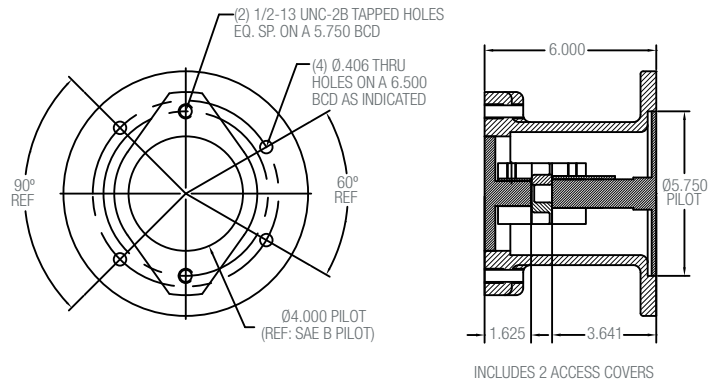
GX 100 THRU GX 200



GX 240 THRU GX 390

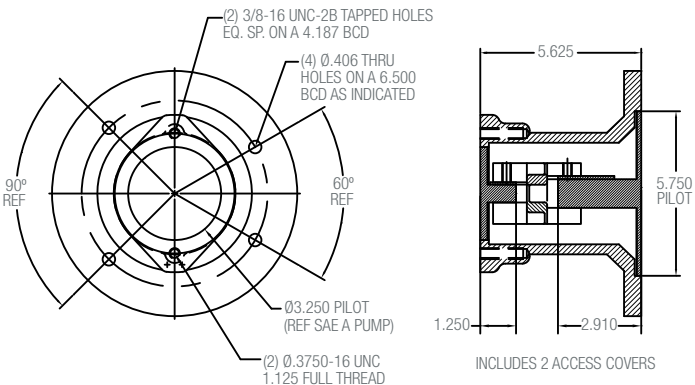


GX 240 THRU GX 390

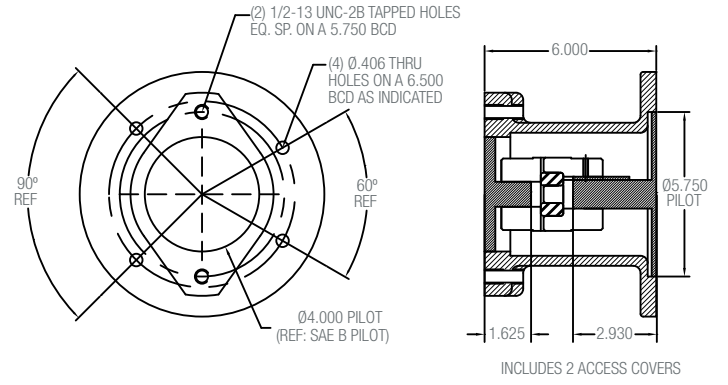


NOTE: PUMP SHAFT LENGTH INCLUDING THE PILOT DEPTH MUST NOT EXCEED 1.625!!!

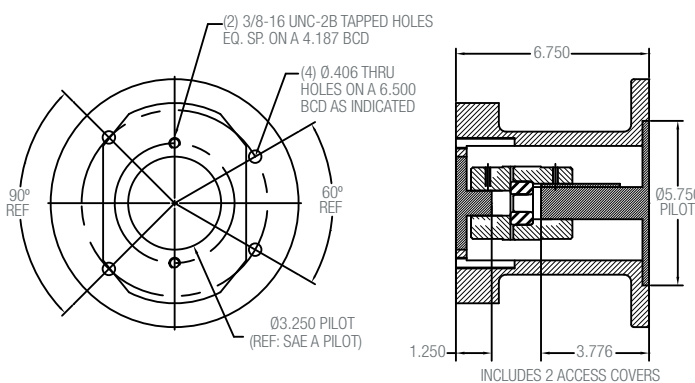
GX 610 THRU GX 630



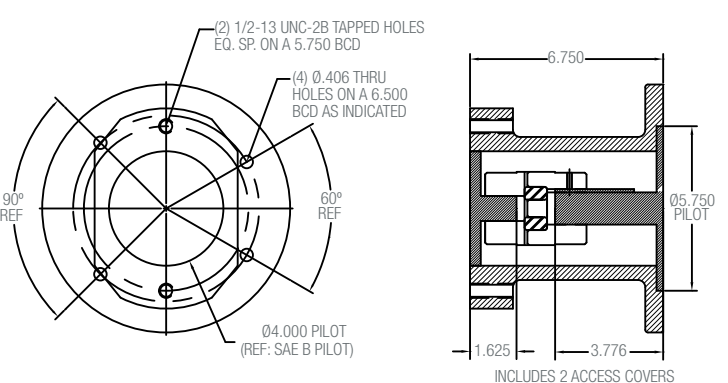
GX 610 THRU GX 630



GX 660 THRU GX 690



GX 660 THRU GX 690



Guardian Couplings Facilities

North America

USA

300 Indiana Highway 212
Michigan City, IN 46360
219-874-5248

*Engineered Flywheel Couplings, Engine
Housings and Pump Mounts, Flexible
Shaft Couplings*

Europe

United Kingdom

Merchant Drive, Hertford
Hertfordshire SG13 7BL - England
+44(0)1992 501900

*Engineered Flywheel Couplings, Engine
Housings and Pump Mounts, Flexible
Shaft Couplings*



Scan to see all
the brands of
Regal Rexnord

Neither the accuracy nor completeness of the information contained in this publication is guaranteed by the company and may be subject to change in its sole discretion. The operating and performance characteristics of these products may vary depending on the application, installation, operating conditions and environmental factors. The company's terms and conditions of sale can be viewed at <http://www.altramotion.com/terms-and-conditions/sales-terms-and-conditions>. These terms and conditions apply to any person who may buy, acquire or use a product referred to herein, including any person who buys from a licensed distributor of these branded products.

©2023 by Guardian Couplings LLC. All rights reserved. All trademarks in this publication are the sole and exclusive property of Guardian Couplings LLC or one of its affiliated companies.