

# Guardian Quik-Joint Pipe Coupling

## Service & Installation Instructions

P-8614-GC  
GUA-MRK-DOC-035



## TABLE OF CONTENTS

NOTICES AND WARNINGS	PAGE 2
SECTION 1 – COUPLING OVERVIEW	PAGE 3
SECTION 2 – TOOLS/MATERIALS REQUIRED	PAGE 4
SECTION 3A – INSTALLATION INSTRUCTIONS (FULL)	PAGE 4
SECTION 3B – INSTALLATION INSTRUCTIONS (FULL W/ NPT CAP)	PAGE 4
SECTION 3C – INSTALLATION INSTRUCTIONS (HALF)	PAGE 4
WARRANTY	PAGE 6

### IMPORTANT READ ALL NOTICES & WARNINGS BEFORE ATTEMPTING ANY INSTALLATION!

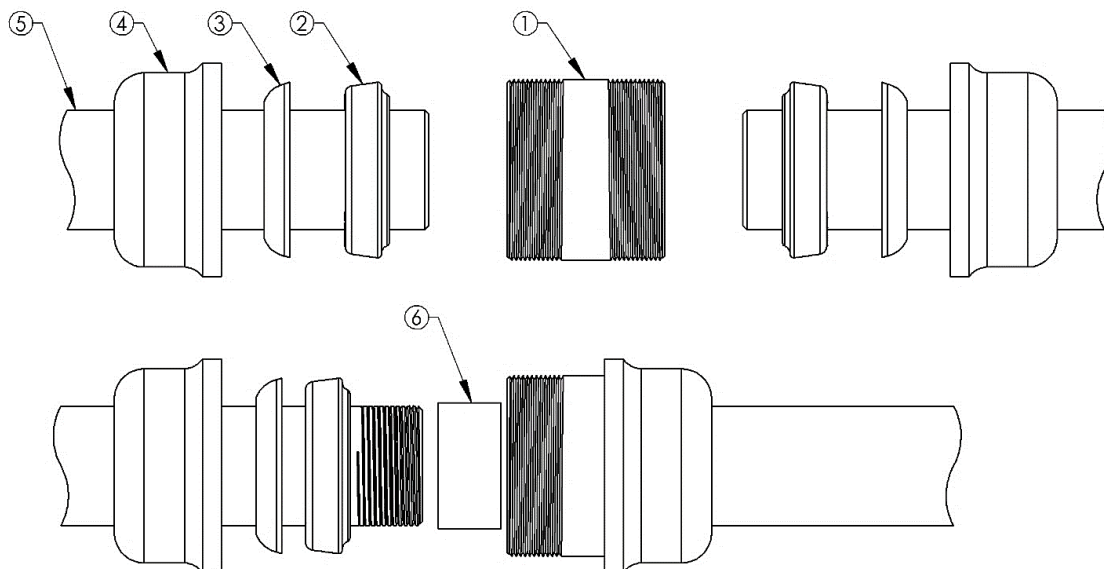
#### NOTICES:

- PLEASE CAREFULLY READ OVER AND UNDERSTAND INSTRUCTIONS BEFORE ATTEMPTING ANY MAINTENANCE. IF ADDITIONAL ASSISTANCE IS NEEDED PLEASE CONTACT GUARDIAN BEFORE SERVICING/INSTALLING THE PRODUCT.
- WHILE GUARDIAN MAKES EVERY EFFORT TO ENSURE THE ACCURACY OF THE INFORMATION PROVIDED, WE MAKE NO WARRANTY AS TO THE ACCURACY OR COMPLETENESS OF SAID INFORMATION. THE INFORMATION PROVIDED CORRESPONDS TO THE INSTALLATION STANDARDS AT THE TIME OF PRINTING.
- THESE INSTALLATION INSTRUCTIONS ACT AS GENERAL GUIDELINES, AND DO NOT COVER EVERY SCENARIO. IF YOUR INSTALLATION DOES NOT APPLY, PLEASE CONTACT GUARDIAN TO FURTHER REVIEW YOUR APPLICATION TO ENSURE PROPER INSTALLATION IS COMPLETED.
- VERIFY APPLICATION DATA AND REVIEW TORQUE SPECIFICATIONS, MIS-ALIGNMENT, AND APPLICATION SERVICE FACTORS. IF FURTHER ASSISTANCE IS NEEDED PLEASE CONTACT GUARDIAN COUPLINGS.
- CHECK TO MAKE SURE MAXIMUM ALLOWABLE BORE DIAMETERS ON HUBS ARE NOT EXCEEDED. SEE CATALOG SPECIFICATIONS FOR MORE DETAILS.
- COUPLINGS THAT ARE MODIFIED OR MACHINED BY THE CUSTOMER ARE NOT COVERED UNDER THE STANDARD WARRANTY TERMS.

#### WARNINGS:

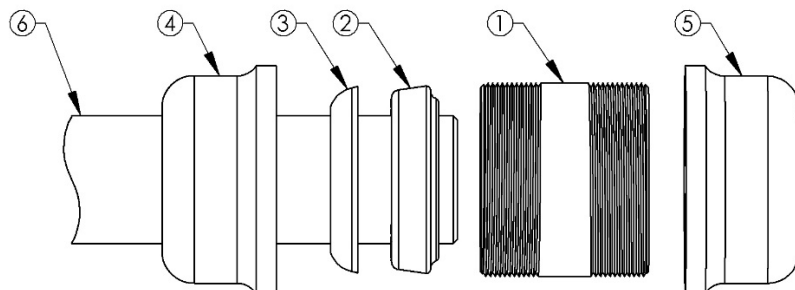
- IMPROPER USE OR INSTALLATION MAY RESULT IN SERIOUS INJURY OR DEATH. GUARDIAN COUPLINGS WILL NOT BE LIABLE FOR IMPROPER USE/INSTALLATION OF THE PRODUCTS. THE PURCHASER/INSTALLER IS RESPONSIBLE FOR PROPER INSTALLATION, SAFEGUARDS, MAINTENANCE AND OPERATION OF THE PRODUCT AND EQUIPMENT.
- ANY MODIFICATIONS TO INSTRUCTIONS AND/OR COUPLING CHARACTERISTICS MAY RESULT IN A PREMATURE FAILURE.
- IF ANY PROBLEMS OCCUR DURING ASSEMBLY, CONTACT GUARDIAN COUPLINGS IMMEDIATELY.
- WARNING: THIS PRODUCT MAY CONTAIN CHEMICALS KNOWN TO THE STATE OF CALIFORNIA TO CAUSE CANCER AND/OR BIRTH DEFECTS OR OTHER REPRODUCTIVE HARM.

## SECTION 1 – COUPLING OVERVIEW



**FIGURE 1.1 QUIK-JOINT FULL COUPLING (EXPLODED VIEW)**

ITEM NUMBER	ITEM DESCRIPTION
1	QUIK-JOINT FULL COUPLING BODY
2	QUIK-JOINT GASKET
3	QUIK-JOINT RETAINER RING
4	QUIK-JOINT END NUT
5	END-USERS PIPE
6	SAFE-T NUT OR SAFE-T RING (OPTIONAL)



**FIGURE 1.2 QUIK-JOINT FULL COUPLING W/ NPT END CAP (EXPLODED VIEW)**

ITEM NUMBER	ITEM DESCRIPTION
1	QUIK-JOINT FULL COUPLING BODY W/ SINGLE NPT END
2	QUIK-JOINT GASKET
3	QUIK-JOINT RETAINER RING
4	QUIK-JOINT END NUT
5	NPT END CAP
6	END-USERS PIPE

## SECTION 1 – COUPLING OVERVIEW

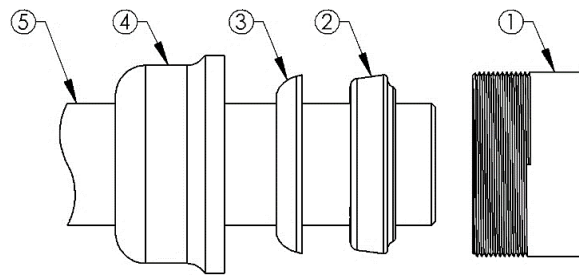


FIGURE 1.3 QUIK-JOINT HALF COUPLING (EXPLODED VIEW)

ITEM NUMBER	ITEM DESCRIPTION
1	QUIK-JOINT HALF COUPLING BODY
2	QUIK-JOINT GASKET
3	QUIK-JOINT RETAINER RING
4	QUIK-JOINT END NUT
5	END-USERS PIPE

## SECTION 2 - TOOLS/MATERIAL REQUIRED

- PIPE WRENCH / STRAP WRENCH

### **SECTION 3A – INSTALLATION INSTRUCTIONS (FULL COUPLING)**

- 1) PLEASE READ & FOLLOW ALL NOTICES & WARNINGS PRIOR TO INSTALLATION OF THIS PRODUCT**
- 2) INSTALL END NUT, RETAINER RING AND GASKET ON BOTH USER PIPES, AS SHOWN IN FIGURE 1.1  
IF APPLICABLE, ALSO INSTALL SAFE-T NUT OR SAFE-T RING  
(SAFE-T NUT OR SAFE-T RING REQUIRES END USERS PIPE END TO HAVE AN NPT THREAD)
- 3) BRING BOTH SETS OF COMPONENTS TOWARD THE COUPLING BODY, UNTIL RETAINER AND GASKET ARE SEATED IN COUPLING BODY
- 4) SLIDE BOTH END NUTS OVER RETAINERS AND GASKETS, AND HAND TIGHTEN  
FOR HIGH VIBRATION APPLICATIONS, GUARDIAN RECOMMENDS THE USE OF A THREAD SEALANT
- 5) WITH BOTH END NUTS HAND TIGHT, TIGHTEN AN ADDITIONAL 2-3 FULL TURNS USING A WRENCH  
(NO THREADS WILL BE VISIBLE WHEN COUPLING IS FULLY ASSEMBLED)

### **SECTION 3B – INSTALLATION INSTRUCTIONS (FULL COUPLING W/ NPT CAP)**

- 1) PLEASE READ & FOLLOW ALL NOTICES & WARNINGS PRIOR TO INSTALLATION OF THIS PRODUCT**
- 2) INSTALL END NUT, RETAINER RING AND GASKET ON USER PIPE, AS SHOWN IN FIGURE 1.2
- 3) BRING COMPONENTS TOWARD THE COUPLING BODY, UNTIL RETAINER AND GASKET ARE SEATED IN COUPLING BODY
- 4) SLIDE END NUT OVER RETAINER AND GASKET; HAND TIGHTEN  
FOR HIGH VIBRATION APPLICATIONS, GUARDIAN RECOMMENDS THE USE OF A THREAD SEALANT
- 5) INSTALL NPT END CAP ON NPT THREADED END OF COUPLING BODY; HAND TIGHTEN  
(GUARDIAN RECOMMEND THE USE OF A THREAD SEALANT ON NPT THREADS)
- 6) WITH END NUT AND NPT END CAP HAND TIGHT, TIGHTEN AN ADDITIONAL 2-3 FULL TURNS USING A WRENCH

### **SECTION 3C – INSTALLATION INSTRUCTIONS (HALF COUPLING)**

- 1) PLEASE READ & FOLLOW ALL NOTICES & WARNINGS PRIOR TO INSTALLATION OF THIS PRODUCT**
- 2) ENSURE BODY THREADS ARE PROTECTED DURING THE WELDING PROCESS
- 3) INSTALL END NUT, RETAINER RING AND GASKET ON BOTH USER PIPE, AS SHOWN IN FIGURE 1.2
- 4) BRING COMPONENTS TOWARD THE COUPLING BODY, UNTIL RETAINER AND GASKET ARE SEATED IN COUPLING BODY
- 5) SLIDE END NUT OVER RETAINER AND GASKET, AND HAND TIGHTEN  
FOR HIGH VIBRATION APPLICATIONS, GUARDIAN RECOMMENDS THE USE OF A THREAD SEALANT
- 6) WITH END NUT HAND TIGHT, TIGHTEN AN ADDITIONAL 2-3 FULL TURNS USING A WRENCH  
(NO THREADS WILL BE VISIBLE WHEN COUPLING IS FULLY ASSEMBLED)

## WARRANTY

Guardian Ind. Inc. warrants that the Goods will be free from defects in material and workmanship for a period of twelve (12) months from delivery, or such other period as shall be agreed upon in writing by the parties. Guardian Ind. Inc.'s limited warranty excludes remedy for damage or defect caused by abuse; failure to resist corrosion or erosion from any corrosive agent or fluid, or due to deposits of foreign material from any fluid; modifications not executed by Guardian Ind. Inc.; improper installation or operation; defects or failures arising out of, in any way related to, or as a result, either direct or indirect, of the Buyer's failure to properly advise Guardian Ind. Inc. of all normal and special operating conditions, known to or suspected by the Buyer, when Guardian Ind. Inc. is manufacturing the Product for a specific operation; or normal wear and tear under normal usage. All weights stated in Guardian Ind. Inc.'s catalog and lists are approximate and are excluded from this warranty. EXCEPT AS EXPRESSLY SET FORTH IN THIS PARAGRAPH, GUARDIAN IND. INC. MAKES NO OTHER WARRANTY WITH RESPECT TO THE GOODS DELIVERED HEREUNDER AND EXPRESSLY DISCLAIMS ALL OTHER WARRANTIES, EXPRESS OR IMPLIED, INCLUDING WARRANTIES OF MERCHANTABILITY AND OF FITNESS FOR A PARTICULAR PURPOSE, ARISING BY OPERATION OF LAW OR OTHERWISE.

Guardian Ind. Inc. must be notified in writing of any defect in the Goods within a reasonable period of time after discovery (not to exceed thirty (30) days) and the defective Goods must be delivered within the warranty period specified above, prepaid, to Guardian Ind. Inc.'s factory, with evidence that the Goods have been properly installed, maintained and operated in accordance with Guardian Ind. Inc.'s instructions. If Guardian Ind. Inc. determines that any such returned Goods are not in conformity with the warranty set forth herein, then Guardian Ind. Inc. shall, at its sole option and expense, either repair the same or supply replacement Goods.

The remedies of Buyer set forth herein are exclusive, and the total liability of Guardian Ind. Inc. hereunder, whether based on contract, warranty, negligence, indemnity, strict liability or otherwise, and shall not exceed the purchase price of the Goods giving rise to any such claim for liability. IN NO EVENT SHALL GUARDIAN IND. INC. OR ITS SUPPLIERS BE LIABLE TO BUYER, ANY SUCCESSORS IN INTEREST, OR ANY BENEFICIARY OF THIS CONTRACT FOR CONSEQUENTIAL, INDIRECT, INCIDENTAL, OR SPECIAL DAMAGES OR LOSSES, OR FOR ANY SECONDARY CHARGES OR ADMINISTRATIVE OR PUNITIVE DAMAGES, FINES, PENALTIES, FEES, EXPENSES AND OTHER CHARGES, ARISING OUT OF THE CONTRACT OR ANY BREACH THEREOF, WHETHER BASED UPON LOSS OF USE, LOSS OF PRODUCTION, LOST PROFITS OR REVENUE, INTEREST, LOST GOODWILL, WORK STOPPAGE, IMPAIRMENT OF OTHER GOODS, LOSS BY REASON OF SHUTDOWN OR NON-OPERATION, INCREASED EXPENSES OF OPERATION OR CLAIMS OF CUSTOMERS OF BUYER FOR SERVICE INTERRUPTION, OR ANY OTHER TYPE OF ECONOMIC LOSS OR DAMAGE, WHETHER OR NOT SUCH LOSS OR DAMAGE IS BASED ON CONTRACT, WARRANTY, NEGLIGENCE, INDEMNITY, STRICT LIABILITY OR OTHERWISE.

Further details pertaining to TERMS AND CONDITIONS OF SALES can be found at the following link:

[http://www.altramotion.com/~media/Files/Corporate/Terms%20and%20Conditions/Sales-Terms/Guardian\\_Sales\\_Terms.ashx](http://www.altramotion.com/~media/Files/Corporate/Terms%20and%20Conditions/Sales-Terms/Guardian_Sales_Terms.ashx)



[www.guardiancouplings.com](http://www.guardiancouplings.com)

300 Indiana Highway 212  
Michigan City, IN 46361  
219-874-5248  
Fax: 219-879-6643