
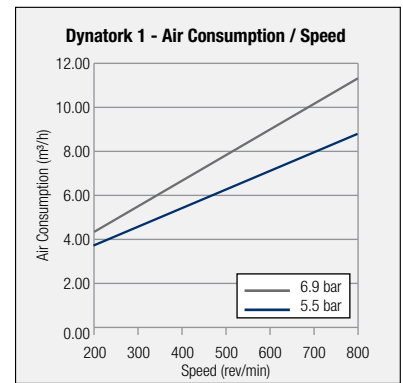
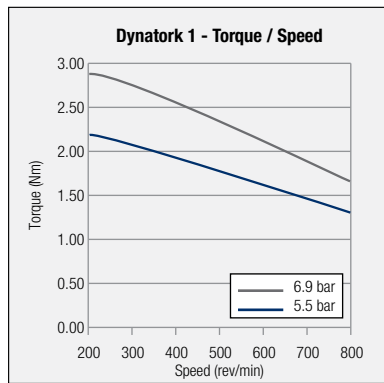
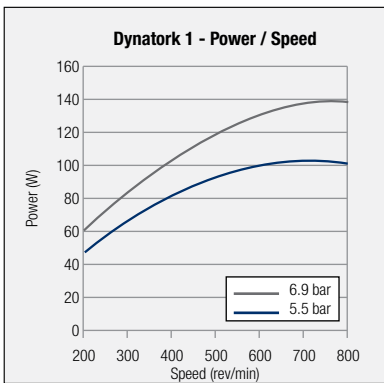


Dynatork 1 Aluminium

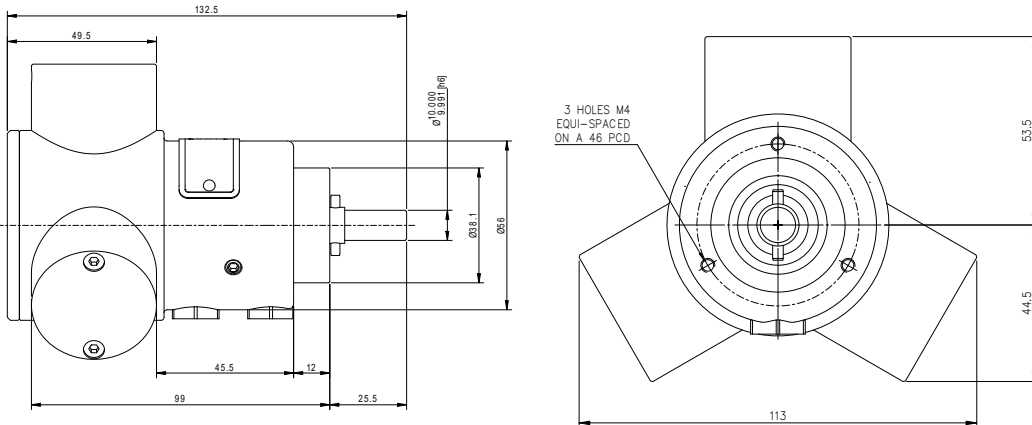
Key Data: Dynatork 1 Motor Ref: 970.15.A

Speed range	200 - 800 rpm	
Torque at 200 rpm / 6.9 bar (100 psi)	2.79 Nm	
Torque at 800 rpm / 6.9 bar (100 psi)	1.66 Nm	
Max air consumption 800 rpm / 6.9 bar	9.7 m ³ /h	
Shaft Diameter	10 mm	
Weight	1.5 kg	
Ports	1/8" BSP	
Lubrication	Non-Lube: for use with a dry, clean, non-lubricated air supply (can be used in lubricated system)	

Performance




Body Mounting



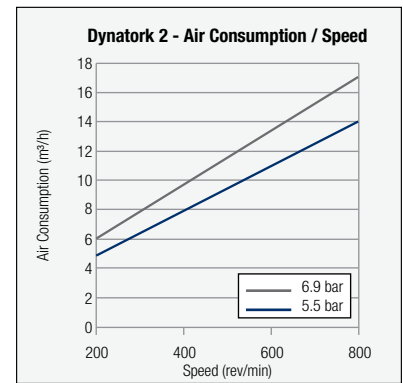
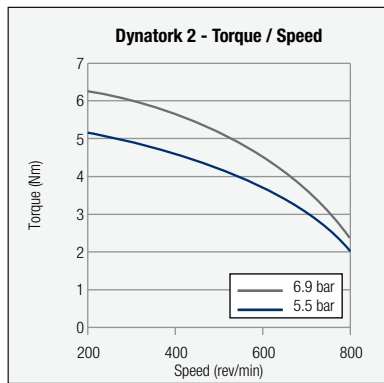
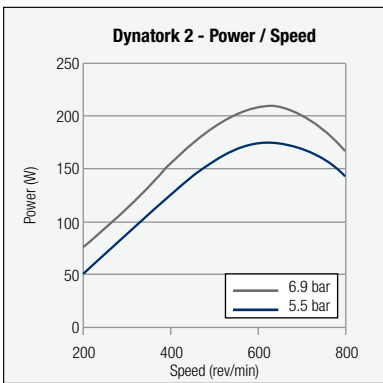
Please see Series 3 QR code on page 26.

For alternative mounting option, see page 23

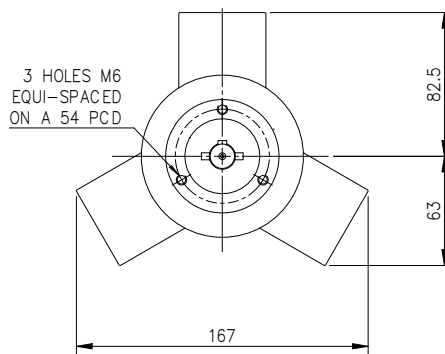
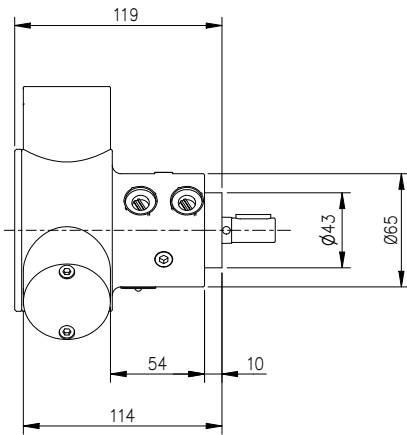
Key Data: Dynatork 2 Motor Ref: 970.25.A or 970.25.AM

Speed range	200 - 800 rpm	
Torque at 200 rpm / 6.9 bar (100 psi)	6.25 Nm	
Torque at 800 rpm / 6.9 bar (100 psi)	2.3 Nm	
Max air consumption 800 rpm / 6.9 bar	17 m ³ /h	
Shaft Diameter	970.25.A: 12.7 mm / 970.25.AM: 14 mm	
Weight	2.0 kg	
Ports	1/4" BSP	
Lubrication	Non-Lube: for use with a dry, clean, non-lubricated air supply (can be used in lubricated system)	

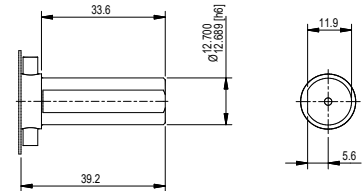
Performance



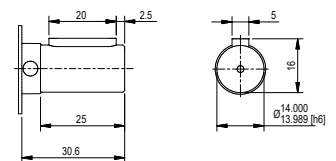
Body Mounting



970.25.A



970.25.AM




Please see Series 3 QR code on page 26.

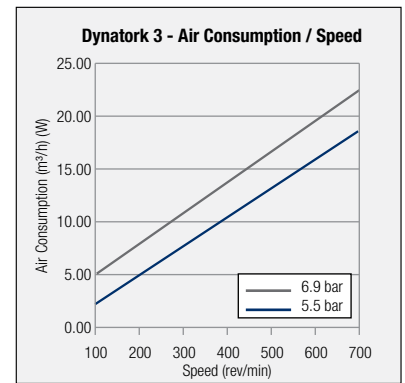
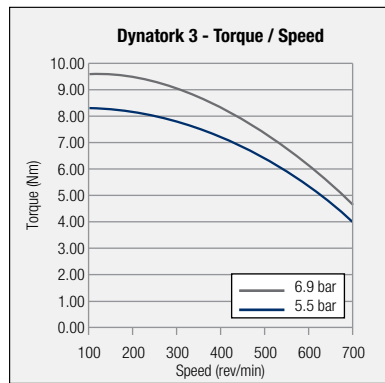
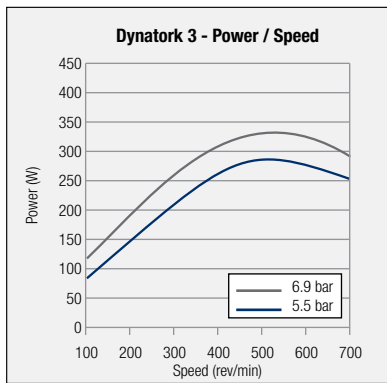
For alternative mounting option, see page 23

Dynatork 3 Aluminium

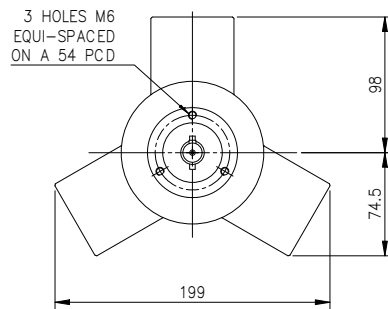
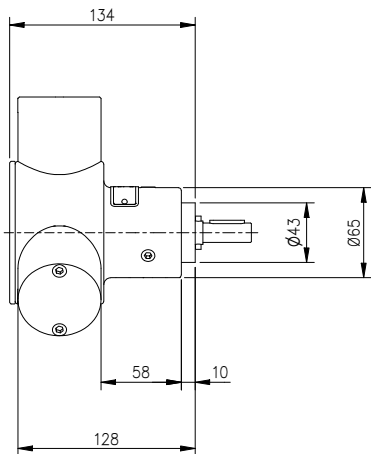
Key Data: Dynatork 3 Motor Ref: 970.35.A or 970.35.AM

Speed range	150 - 700 rpm	
Torque at 150 rpm / 6.9 bar (100 psi)	9.9 Nm	
Torque at 700 rpm / 6.9 bar (100 psi)	4.6 Nm	
Max air consumption 700 rpm / 6.9 bar	21.6 m³/h	
Shaft Diameter	970.35.A: 12.7 mm / 970.35.AM: 14 mm	
Weight	3.75 kg	
Ports	1/4" BSP	
Lubrication	Non-Lube: for use with a dry, clean, non-lubricated air supply (can be used in lubricated system)	

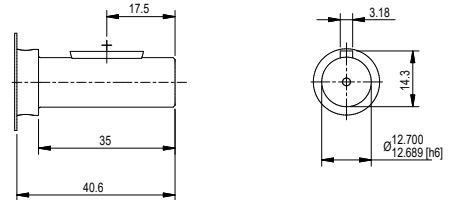
Performance



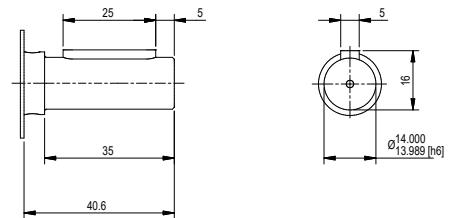
Body Mounting



970.35.A



970.35.AM



*NEMA Flanges available



Please see Series 3 QR code on page 26.

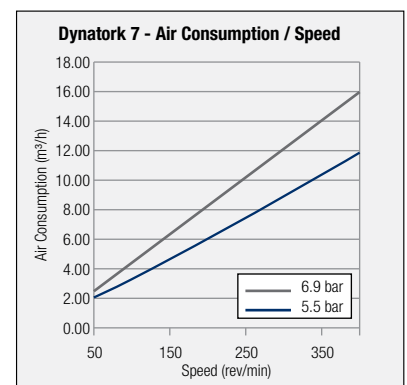
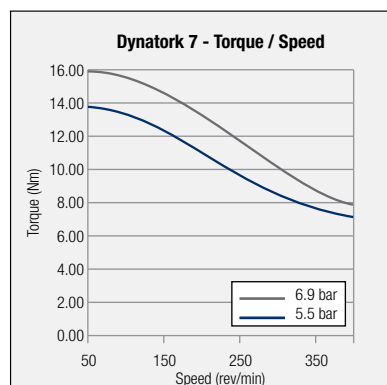
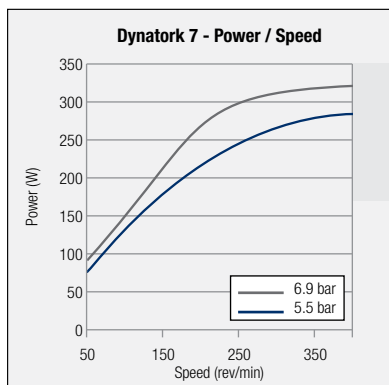
For alternative mounting option, see page 24

Key Data: Dynatork 7 Motor Ref: 930.75

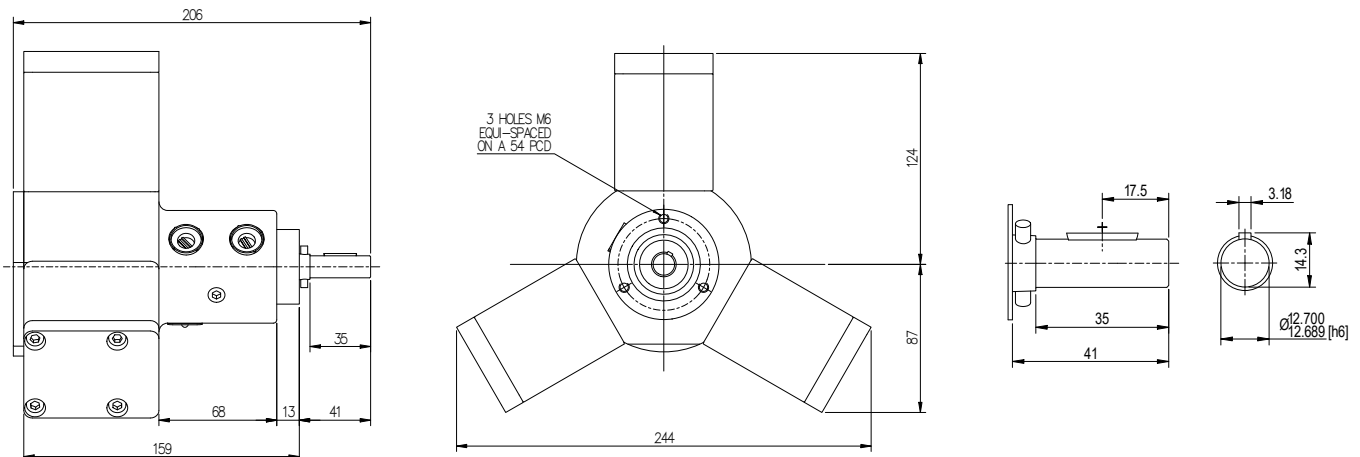
Speed range	100 - 400 rpm
Torque at 100 rpm / 6.9 bar (100 psi)	15.7 Nm
Torque at 400 rpm / 6.9 bar (100 psi)	7.8 Nm
Max air consumption 400 rpm / 6.9 bar	11.9 m ³ /h
Shaft Diameter	12.7 mm
Weight	4.5 kg
Ports	1/4" BSP
Lubrication	Non-Lube: for use with a dry, clean, non-lubricated air supply (can be used in lubricated system)



Performance



Body Mounting



Please see Series 2 QR code on page 26.

For alternative mounting option, see page 24