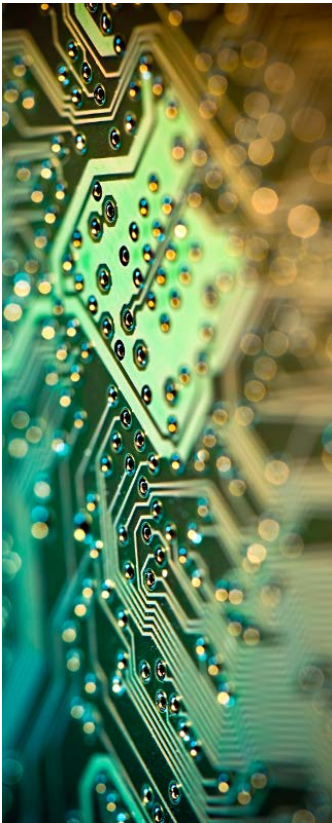


Spacers, Pillars and Stand-offs



Huco

Huco Engineering Industries Ltd.
Merchant Drive, Hertford, SG13 7BL UK
Tel: +44 (0)1992 501900
Fax: +44 (0)1992 509890

Web: www.huco.com
Email: sales@huco.com

Contents

Stand-offs

Brass	Electroplated Nickel	5
Polystyrene	Colour	5
	Service Temperature	5

Spacers - Round

Acetal	Colour	5
	Service Temperature	5

Spacers - Hexagonal

Mild Steel	Electro-zinc plated	6
Brass	Electro-nickel plated	6
Nylon	Glass reinforced	6
	Service Temperature	6
	Colour	6

Pillars

Mild Steel	Electro-zinc plated	7
Brass	Electro-nickel plated	8
Nylon	Glass reinforced	8
	Service Temperature	8
	Colour	8
Nylon	Service Temperature	8
	Colour	9
Studs/Bushes	RPN/RUN - Brass self colour	9
	HMN/HEN - Brass Ni plated	9
Studs	Mild Steel - Electro-zinc plated	10
	Bushes - Brass self colour	10
	Electrical properties	10

'Klip-Loc' Pillars

Nylon	Colour	11
--------------	--------	----

Connector Screw Locks

Mild Steel	Electro-zinc plated	12
Brass	Electro-nickel plated	12

Quality Spacers and Pillars from a Reliable Source

- Comprehensive range of products available for next day delivery by 1st class post or courier
- All products of EC origin
- Ability to source and manufacture non-standard products in a range of materials
- Quantity discounts from 300 pieces apply to standard products
- Standard pack size 100
- Stainless steel available to special order
- RoHS and REACH

Spacers, Pillars and Stand-offs

Stand-offs

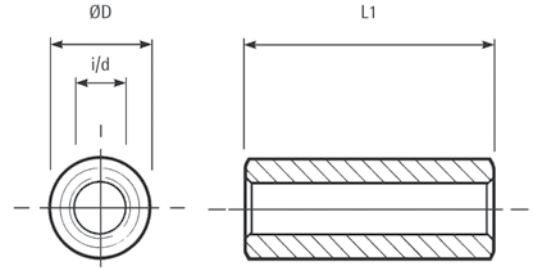
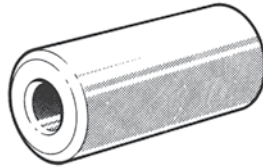
Materials and Finishes

Brass:

- Electro-nickel plated

Polystyrene:

- Colour - natural
- Service temp: -40°C to +80° C



Brass Stand-offs · Round

Reference	i/d	ØD	L1 Standard Lengths (mm)																					
			01	02	03	04	05	06	07	08	10	-	-	-	-	-	-	-	-	-	-			
RCL.2240	2.2	4.0	01	02	03	04	05	06	07	08	10	-	-	-	-	-	-	-	-	-	-			
RCL.2550	2.5	5.0	01	02	03	04	05	06	07	08	10	12	14	15	-	-	-	-	-	-	-	-		
RCL.3260	3.2	6.0	01	02	03	04	05	06	07	08	10	12	14	15	18	20	25	30	35	40	-	-	-	-
RCL.4380	4.3	8.0	01	02	03	04	05	06	07	08	10	12	14	15	18	20	25	30	35	40	-	-	-	-
RCL.5310	5.3	10.0	01	02	03	04	05	06	07	08	10	12	14	15	18	20	25	30	35	40	-	-	-	-

Polystyrene Stand-offs · Round

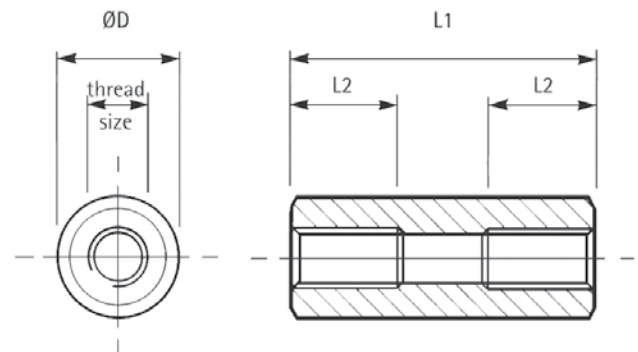
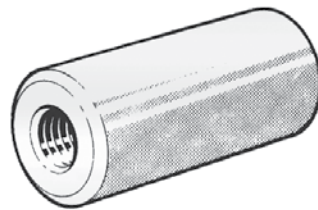
Reference	i/d	ØD	L1 Standard Lengths (mm)																				
			-	02	03	04	05	06	-	08	10	12	-	15	18	20	-	-	-	-	-	-	-
RCP.2240	2.2	4.0	-	02	03	04	05	06	-	08	10	12	-	15	18	20	-	-	-	-	-	-	-
RCP.3560	3.5	6.0	-	02	03	04	05	06	-	08	10	12	-	15	18	20	25	30	-	-	-	-	-
RCP.4380	4.3	8.0	-	02	03	04	05	06	-	08	10	12	-	15	18	20	25	30	-	-	-	-	-
RCP.5310	5.3	10.0	-	02	03	04	05	06	-	08	10	12	-	15	18	20	25	-	-	-	-	-	-

Spacers - Round

Materials and Finishes

Acetal:

- Colour - natural
- Service temp: -40°C to +80° C



Acetal Spacers · Round

Reference	Thread	ØD	L1 Standard Lengths (mm)																						
								05	08	10	12	15	18	19	20	25	30	35	40	50	60	-	-	-	
RTA.3060	M3	06							05	08	10	12	15	18	19	20	25	30	35	40	50	60	-	-	-
RTA.4080	M4	08							05	08	10	12	15	18	-	20	25	30	35	40	50	60	-	-	-
			L2					TAPPED THROUGH					8mm					10mm							

Spacers, Pillars and Stand-offs

Pillars

Materials and Finishes

Mild Steel:

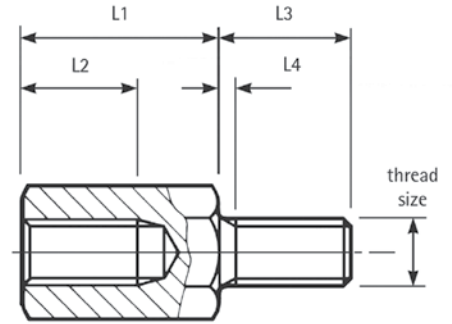
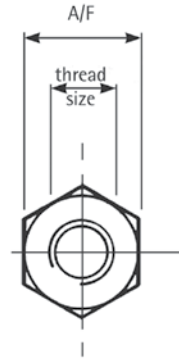
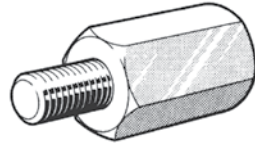
- Electro-zinc plated

Brass:

- Electro-nickel plated

Nylon:

- Glass reinforced
- Max Service Temp: 110° C
- Colour - Black



Mild Steel Pillars

Reference	Thread	A/F	L4	L1 Standard Lengths (mm)																					
HSA.3050	M3	5.0	1.0	-	-	05	06	08	10	12	15	16	18	20	25	30	35	40	45	50	60	-	-	-	-
HSA.4070	M4	7.0	1.4	-	-	-	-	08	10	12	15	16	18	20	25	30	35	40	45	50	60	-	-	-	-
HSA.5080	M5	8.0	1.6	-	-	-	-	-	10	12	15	16	18	20	25	30	35	40	45	50	65	70	-	-	-
				L2	-	03	03	04	06	08	08	08	08	08	10	10	10	10	10	10	10	10	-	-	-
				L3	-	08	08	08	08	08	08	08	08	08	10	10	10	10	10	10	10	10	-	-	-

Reference	Thread	A/F	L4	L1 Standard Lengths (mm)																					
HSA.6010	M6	10.0	2.0	-	-	-	-	10	12	15	18	20	25	30	35	40	45	50	60	70	80	90	-	-	-
				L2	-	-	-	06	08	08	12	12	13	13	13	13	13	13	13	13	13	13	-	-	-
				L3	-	-	-	12	12	12	12	12	12	12	12	12	12	12	12	12	12	12	-	-	-

Reference	Thread	A/F	L4	L1 Standard Lengths (mm)																					
HSA.8013	M8	13.0	2.5	-	-	-	-	-	-	15	18	20	25	30	35	40	45	50	45	60	70	80	90	100	120
				L2	-	-	-	-	-	08	12	12	15	15	15	15	15	15	15	15	15	15	15	15	15
				L3	-	-	-	-	-	14	14	14	14	14	14	14	14	14	14	14	14	14	14	14	14

Spacers, Pillars and Stand-offs

Brass Pillars

Reference	Thread	A/F	L4	L1 Standard Lengths (mm)																					
HSL.2040	M2	4.0	0.8	-	-	05	06	08	10	11	12	14	16	18	20	25	30	-	-	-	-	-	-	-	-
HSL.2550	M2.5	5.0	0.9	-	-	05	06	08	10	11	12	14	16	18	20	25	30	-	-	-	-	-	-	-	-
			L2	-	03	03	04	06	06	06	06	06	06	06	06	06	06	-	-	-	-	-	-	-	-
			L3	-	06	06	06	06	06	06	06	06	06	06	06	06	06	-	-	-	-	-	-	-	-

Reference	Thread	A/F	L4	L1 Standard Lengths (mm)																							
HSL.3050	M3	5.0	1.0	-	-	05	06	07	08	09	10	11	12	14	15	16	18	20	25	30	35	40	50	60	-		
HSL.4070	M4	7.0	1.4	-	-	-	-	-	08	09	10	11	12	14	15	16	18	20	25	30	35	40	50	60	-		
HSL.5080	M5	8.0	1.6	-	-	-	-	-	-	-	10	11	12	14	15	16	18	20	25	30	35	40	50	60	-		
			L2	-	03	03	06	08	08	08	08	08	08	08	08	08	08	08	10	10	10	10	10	10	10		
			L3	-	08	08	08	08	08	08	08	08	08	08	08	08	08	08	10	10	10	10	10	10	10		

Nylon Pillars

Reference	Thread	A/F	L1 Standard Lengths (mm)																							
HSN.3060	M3	6.0	-	-	-	-	-	10	12	15	18	20	25	30	35	40	45	50	-	-	-	-	-	-	-	
HSN.4080	M4	8.0	-	-	-	-	-	10	12	15	18	20	25	30	35	40	45	50	-	-	-	-	-	-	-	
HSN.5010	M5	10.0	-	-	-	-	-	10	12	15	18	20	25	30	35	40	45	50	-	-	-	-	-	-	-	
			L2	-	-	-	-	07	09	10	10	10	10	10	10	10	10	10	-	-	-	-	-	-	-	
			L3	-	-	-	-	08	08	08	08	08	08	08	08	08	08	08	-	-	-	-	-	-	-	

Spacers, Pillars and Stand-offs

Pillars

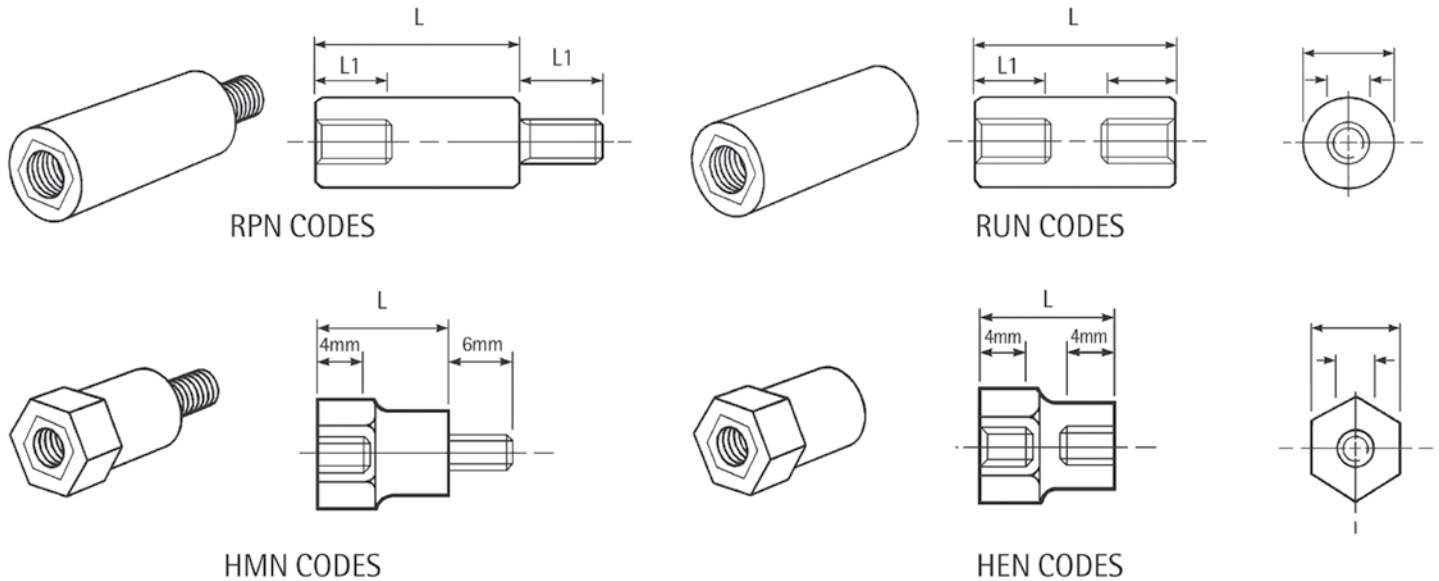
Materials and Finishes

Nylon:

- Max Service Temp: 85° C
- Colour - White

Studs/Bushes:

- RPN/RUN - Brass self-colour
- HMN/HEN - Brass Ni plated



Nylon Spacers Pillar · Round

Reference	Thread	ØD	L1	L1 Standard Lengths (mm)							
RUN.3080	M3	8.0	6.0	15	20	25	30	35	40	45	50
RUN.4080	M4	8.0	6.0	15	20	25	30	35	40	45	50
RUN.5090	M5	9.5	10.0	-	-	25	30	35	40	45	50
RUN.6012	M6	12.7	12.7	-	-	25	30	35	40	45	50

Reference	Thread	ØD	L1	L1 Standard Lengths (mm)							
RPN.3080	M3	8.0	6.0	15	20	25	30	35	40	45	50
RPN.4080	M4	8.0	6.0	15	20	25	30	35	40	45	50
RPN.5090	M5	9.5	10.0	-	-	25	30	35	40	45	50
RPN.6012	M6	12.7	12.7	-	-	25	30	35	40	45	50

Nylon Micro-Pillars · Hexagonal

Reference	Thread	AF	L1 Standard Lengths (mm)					
HEN.2560	M2.5	6.0	07	08	09	10	11	12
HEN.3070	M3	7.0	-	-	09	10	11	12

Reference	Thread	AF	L1 Standard Lengths (mm)					
HMN.2560	M2.5	-	-	-	09	10	11	12
HMN.3070	M3	-	-	-	09	10	11	12

Spacers, Pillars and Stand-offs

Pillars

A quality range of insulating pillars in BP5400 High Heat / Super Impact Premium polystyrene, light grey in colour, ranging from 10mm to 120mm in length.

Materials and Finishes

Studs:

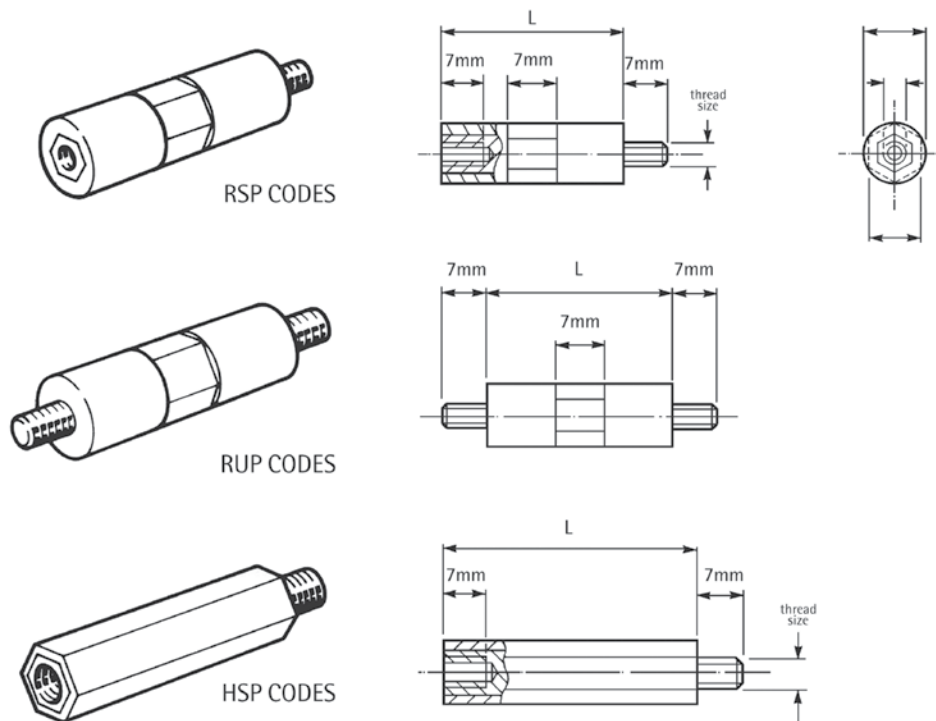
- Mild steel: Electro-zinc plated
- Colour - White

Bushes:

- Brass self-colour

Electrical Properties:

- Dissipation factor: IEC 250 4.10-4
- Insulation resistance: 10-13m.ohm
- Dielectric constant: IEC 250.25
- Dielectric strength: DIN 5348-1150 kV/mm
- Max service temp: 70°C



Polystyrene Pillars

Reference	Thread	ØD	A/F	L1 Standard Lengths (mm)																					
				-	-	-	-	15	20	25	30	40	-	55	-	-	-	-	-	-	-	-			
RSP.3070	M3	7.0	6.0	-	-	-	-	-	15	20	25	30	40	-	55	-	-	-	-	-	-	-	-	-	
RSP.4010	M4	10.0	9.0	-	-	-	-	10	15	20	25	30	40	-	55	60	-	-	-	90	-	-	-	-	
RUP.3070	M3	7.0	6.0	-	-	-	-	-	15	20	25	30	40	-	55	-	-	-	-	-	-	-	-	-	
HSP.5013	M5	-	13.0	-	-	-	-	-	15	20	-	30	-	-	55	-	70	-	85	-	-	-	-	-	
HSP.6013	M6	-	13.0	-	-	-	-	-	15	20	-	30	-	45	-	-	70	-	-	-	-	-	-	120	-

'Klip-Loc' Pillars

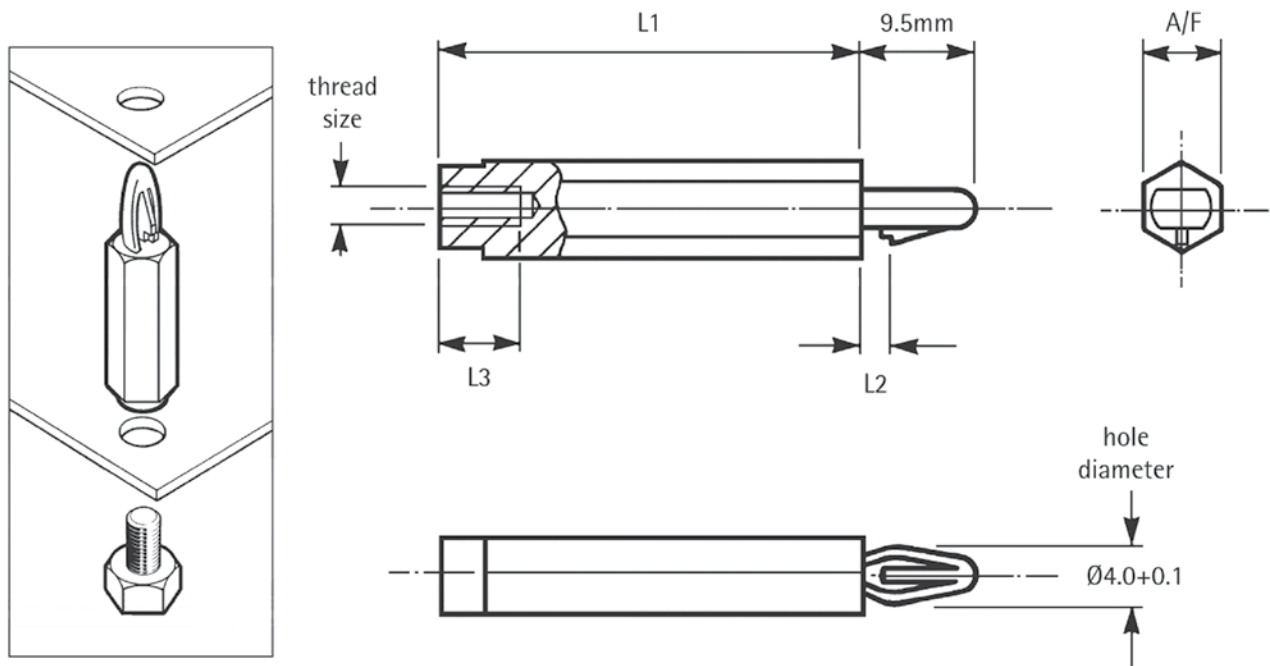
A range of screw mounted printed circuit board support pillars with Klip-Loc feature, allowing boards to be easily attached and removed.

Materials and Finishes

Nylon

- Colour - Black

Other lengths available to order, subject to minimum order quantities.



Klip-Loc Pillars

Reference	Thread	A/F	L2	L1 Standard Lengths (mm)																			
				-	-	-	-	06	08	10	12	15	18	20	25	30	35	40	50	-	-	-	-
HKN.3060	M3	6.0	2.1	-	-	-	-	06	08	10	12	15	18	20	25	30	35	40	50	-	-	-	-
HKN.3080	M3	8.0	1.8	-	-	-	-	06	08	10	12	15	18	20	25	30	35	40	50	-	-	-	-
HKN.4080	M4	8.0	1.8	-	-	-	-	06	08	10	12	15	18	20	25	30	35	40	50	-	-	-	-
			L3	-	-	-	3.0	4.0	5.0	6.0	7.5	9.0	10.0	10.0	10.0	10.0	10.0	10.0	10.0	-	-	-	-

Spacers, Pillars and Stand-offs

Connector Screw Locks

Any combination of M3 and 4NC can be specified for stud and tapped hole threads.

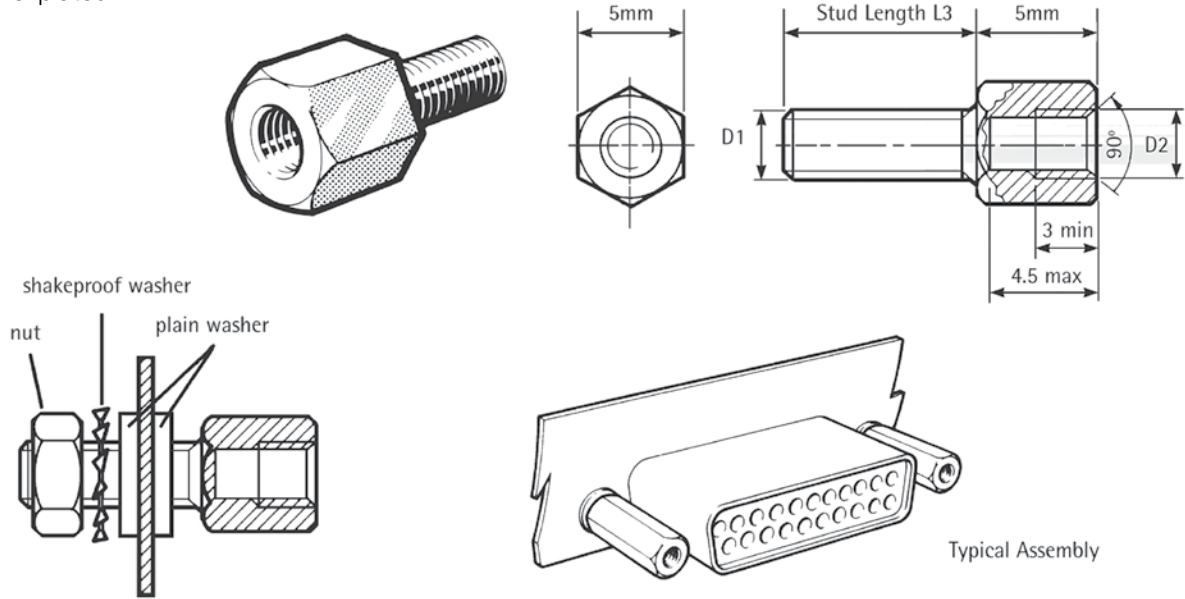
Materials and Finishes

Mild Steel

- Electro-zinc plated

Brass

- Electro-nickel plated



*Nuts and washers not supplied.

Brass · Nickel Plated Connector Screw Locks

Stud Thread D1	Internal Thread D2	Stud Length L3mm	Order Code	Stud Length L3mm	Order Code	Stud Length L3mm	Order Code
M3	M3	6	HSL.06.M3.M3	8	HSL.08.M3.M3	12	HSL.12.M3.M3
4NC	M3	6	HSL.06.4NC.M3	8	HSL.08.4NC.M3	12	HSL.12.4NC.M3
M3	4NC	6	HSL.06.M3.4NC	8	HSL.08.M3.4NC	12	HSL.12.M3.4NC
4NC	4NC	6	HSL.06.4NC.4NC	8	HSL.08.4NC.4NC	12	HSL.12.4NC.4NC

Steel · Zinc Plated Connector Screw Locks

Stud thread D1	Internal Thread D2	Stud Length L3mm	Order Code	Stud Length L3mm	Order Code	Stud Length L3mm	Order Code
M3	M3	6	HSA.06.M3.M3	8	HSA.08.M3.M3	12	HSA.12.M3.M3
4NC	M3	6	HSA.06.4NC.M3	8	HSA.08.4NC.M3	12	HSA.12.4NC.M3
M3	4NC	6	HSA.06.M3.4NC	8	HSA.08.M3.4NC	12	HSA.12.M3.4NC
4NC	4NC	6	HSA.06.4NC.4NC	8	HSA.08.4NC.4NC	12	HSA.12.4NC.4NC

Premier Industrial Company Leading Brands

OTHER PRODUCT SOLUTIONS FROM **REGAL REXNORD**

Our comprehensive product offerings include various types of clutches and brakes, overrunning clutches, engineered bearing assemblies, gearing and gear motors along with linear motion products, belted drives, couplings, limit switches, precision motors, drives & controls, and miniature motors. With thousands of product solutions available, Regal Rexnord provides true single source convenience while meeting specific customer requirements. Many major OEMs and end users prefer Regal Rexnord products as their No. 1 choice for performance and reliability.

WWW.REGALREXNORD.COM



Electric Clutches & Brakes

Stromag
Warner Electric



Precision Motors & Automation

Kollmorgen



Heavy Duty Clutches & Brakes

Industrial Clutch
Stromag
Svendborg Brakes
Twiflex
Wichita Clutch



Miniature Motors

Portescap



Overrunning Clutches

Formsprag Clutch
Marland Clutch
Stieber



Linear Systems

Thomson



Engineered Couplings & Universal Joints

Ameridrives
Bibby Turboflex
Guardian Couplings
Huco
Lamiflex Couplings
Stromag
TB Wood's



Specialty Components

Kilian
Stromag
TB Wood's



Gear Drives & Gear Motors

Bauer Gear Motor
Boston Gear
Delroyd Worm Gear
Nuttall Gear

Huco Facilities

Europe

United Kingdom

Merchant Drive, Hertford
Hertfordshire SG13 7BL - England
+44(0)1992 501900

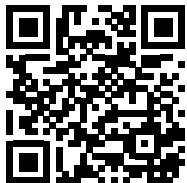
*Precision Couplings and
Air Motors*

North America

USA

440 North Fifth Avenue
Chambersburg, PA 17201 - USA
888-829-6637 or 717-264-7161

*Precision Couplings and
Air Motors*



**Scan to see all
the brands of
Regal Rexnord**

Neither the accuracy nor completeness of the information contained in this publication is guaranteed by the company and may be subject to change in its sole discretion. The operating and performance characteristics of these products may vary depending on the application, installation, operating conditions and environmental factors. The company's terms and conditions of sale can be viewed at <https://www.huco.com/company/terms-and-conditions>. These terms and conditions apply to any person who may buy, acquire or use a product referred to herein, including any person who buys from a licensed distributor of these branded products.

©2023 by Huco LLC. All rights reserved. All trademarks in this publication are the sole and exclusive property of Huco LLC or one of its affiliated companies.



A REGAL REXNORD BRAND

www.huco.com