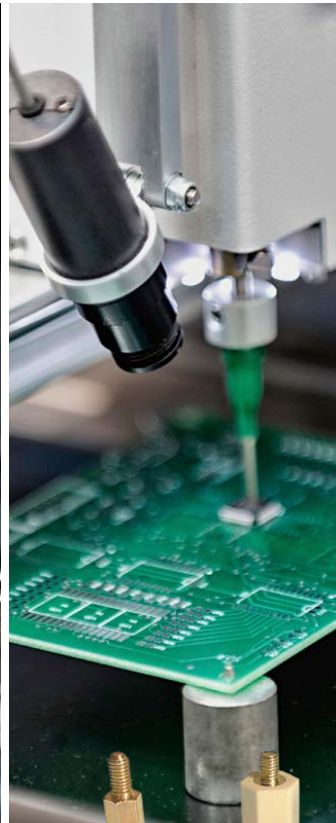
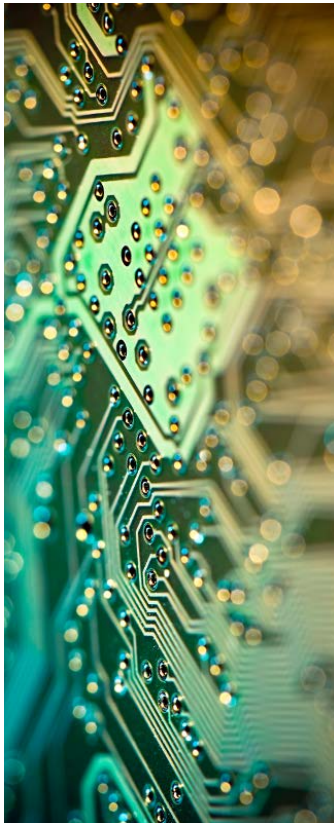


# Spacers, Pillars and Stand-offs



# Huco

Huco Engineering Industries Ltd.  
Merchant Drive, Hertford, SG13 7BL UK  
**Tel:** +44 (0)1992 501900  
**Fax:** +44 (0)1992 509890

**Web:** [www.huco.com](http://www.huco.com)  
**Email:** [sales@huco.com](mailto:sales@huco.com)

## Contents

### Stand-offs

<b>Brass</b>	Electroplated Nickel	5
<b>Polystyrene</b>	Colour	5
	Service Temperature	5

### Spacers - Round

<b>Acetal</b>	Colour	5
	Service Temperature	5

### Spacers - Hexagonal

<b>Mild Steel</b>	Electro-zinc plated	6
<b>Brass</b>	Electro-nickel plated	6
<b>Nylon</b>	Glass reinforced	6
	Service Temperature	6
	Colour	6

### Pillars

<b>Mild Steel</b>	Electro-zinc plated	7
<b>Brass</b>	Electro-nickel plated	8
<b>Nylon</b>	Glass reinforced	8
	Service Temperature	8
<b>Nylon</b>	Colour	8
	Service Temperature	8
	Colour	9
<b>Studs/Bushes</b>	RPN/RUN - Brass self colour	9
	HMN/HEN - Brass Ni plated	9
<b>Studs</b>	Mild Steel - Electro-zinc plated	10
	Bushes - Brass self colour	10
	Electrical properties	10

### 'Klip-Loc' Pillars

<b>Nylon</b>	Colour	11
--------------	--------	----

### Connector Screw Locks

<b>Mild Steel</b>	Electro-zinc plated	12
<b>Brass</b>	Electro-nickel plated	12

## Quality Spacers and Pillars from a Reliable Source

- Comprehensive range of products available for next day delivery by 1st class post or courier
- All products of EC origin
- Ability to source and manufacture non-standard products in a range of materials
- Quantity discounts from 300 pieces apply to standard products
- Standard pack size 100
- Stainless steel available to special order
- RoHS and REACH

# Spacers, Pillars and Stand-offs

## Stand-offs

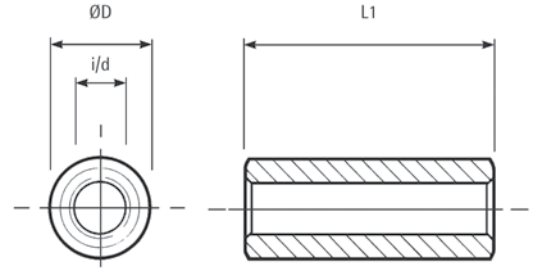
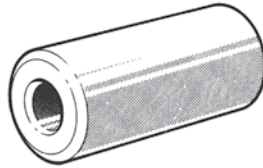
### Materials and Finishes

#### Brass:

- Electro-nickel plated

#### Polystyrene:

- Colour - natural
- Service temp: -40°C to +80° C



## Brass Stand-offs · Round

Reference	i/d	ØD	L1 Standard Lengths (mm)																																						
			01	02	03	04	05	06	07	08	10	12	14	15	18	20	25	30	35	40	-	-	-	-	-	-	-	-	-	-	-	-									
RCL.2240	2.2	4.0	01	02	03	04	05	06	07	08	10	-	-	-	-	-	-	-	-	-	-	-	-	-	-	-	-	-	-	-	-	-	-	-	-	-	-				
RCL.2550	2.5	5.0	01	02	03	04	05	06	07	08	10	12	14	15	-	-	-	-	-	-	-	-	-	-	-	-	-	-	-	-	-	-	-	-	-	-	-	-			
RCL.3260	3.2	6.0	01	02	03	04	05	06	07	08	10	12	14	15	18	20	25	30	35	40	-	-	-	-	-	-	-	-	-	-	-	-	-	-	-	-	-	-	-		
RCL.4380	4.3	8.0	01	02	03	04	05	06	07	08	10	12	14	15	18	20	25	30	35	40	-	-	-	-	-	-	-	-	-	-	-	-	-	-	-	-	-	-	-	-	
RCL.5310	5.3	10.0	01	02	03	04	05	06	07	08	10	12	14	15	18	20	25	30	35	40	-	-	-	-	-	-	-	-	-	-	-	-	-	-	-	-	-	-	-	-	-

## Polystyrene Stand-offs · Round

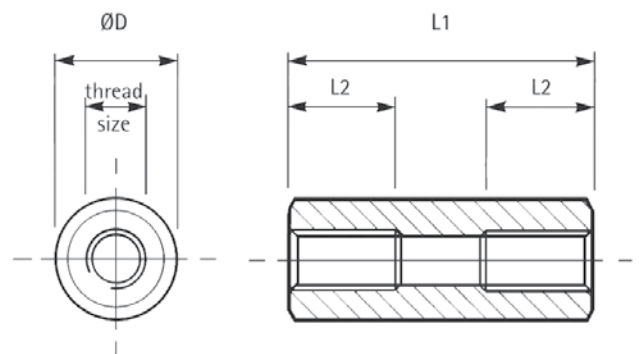
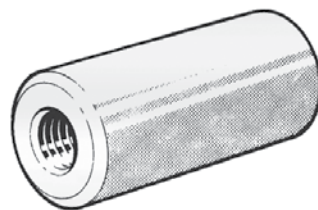
Reference	i/d	ØD	L1 Standard Lengths (mm)																																															
			-	02	03	04	05	06	-	08	10	12	-	15	18	20	-	-	-	-	-	-	-	-	-	-	-	-	-	-	-	-	-	-	-	-	-	-	-	-										
RCP.2240	2.2	4.0	-	02	03	04	05	06	-	08	10	12	-	15	18	20	-	-	-	-	-	-	-	-	-	-	-	-	-	-	-	-	-	-	-	-	-	-	-	-	-	-	-							
RCP.3560	3.5	6.0	-	02	03	04	05	06	-	08	10	12	-	15	18	20	25	30	-	-	-	-	-	-	-	-	-	-	-	-	-	-	-	-	-	-	-	-	-	-	-	-	-	-	-	-				
RCP.4380	4.3	8.0	-	02	03	04	05	06	-	08	10	12	-	15	18	20	25	30	-	-	-	-	-	-	-	-	-	-	-	-	-	-	-	-	-	-	-	-	-	-	-	-	-	-	-	-	-	-		
RCP.5310	5.3	10.0	-	02	03	04	05	06	-	08	10	12	-	15	18	20	25	-	-	-	-	-	-	-	-	-	-	-	-	-	-	-	-	-	-	-	-	-	-	-	-	-	-	-	-	-	-	-	-	-

## Spacers - Round

### Materials and Finishes

#### Acetal:

- Colour - natural
- Service temp: -40°C to +80° C



## Acetal Spacers · Round

Reference	Thread	ØD	L1 Standard Lengths (mm)																								
								05	08	10	12	15	18	19	20	25	30	35	40	50	60	-	-	-			
RTA.3060	M3	06							05	08	10	12	15	18	19	20	25	30	35	40	50	60	-	-	-		
RTA.4080	M4	08							05	08	10	12	15	18	-	20	25	30	35	40	50	60	-	-	-		
			<b>L2</b>					<b>TAPPED THROUGH</b>					<b>8mm</b>					<b>10mm</b>									

# Spacers, Pillars and Stand-offs

## Spacers - Hexagonal

### Materials and Finishes

#### Mild Steel:

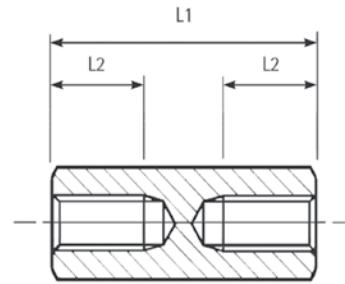
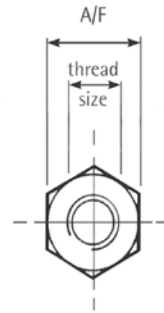
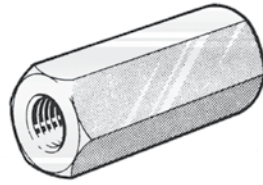
- Electro-zinc plated

#### Brass:

- Electro-nickel plated

#### Nylon:

- Glass reinforced
- Max Service Temp: 110° C
- Colour - Black



### Mild Steel Spacers · Hexagonal

\*Other lengths available subject to minimum order quantities.  
Further details and part references supplied on application.

Reference	Thread	A/F	L1 Standard Lengths (mm)																											
			-	-	-	05	08	10	11	12	15	18	20	25	30	35	40	45	50	60	-	-	-	-	-	-	-	-	-	-
HTA.3050	M3	5.0	-	-	-	05	08	10	11	12	15	18	20	25	30	35	40	45	50	60	-	-	-	-	-	-	-	-	-	
HTA.4070	M4	7.0	-	-	-	05	08	10	11	12	15	18	20	25	30	35	40	45	50	60	70	-	-	-	-	-	-	-	-	
HTA.5080	M5	8.0	-	-	-	05	08	10	11	12	15	18	20	25	30	35	40	45	50	60	70	-	-	-	-	-	-	-	-	
HTA.6010	M6	10.0	-	-	-	05	08	10	11	12	15	18	20	25	30	35	40	45	50	60	70	-	-	-	-	-	-	-	-	
HTA.8013	M8	13.0	-	-	-	-	-	-	-	-	15	18	20	25	30	35	40	45	50	60	70	80	90	100	-	-	-	-	-	
			L2		TAPPED THROUGH										M3, M4 & M5 = 10mm M6 =12mm M8 =15mm															

### Brass Spacers · Hexagonal

Reference	Thread	A/F	L1 Standard Lengths (mm)																											
			-	-	-	05	08	10	11	12	15	16	18	20	25	30	-	-	-	-	-	-	-	-	-	-	-	-	-	
HTL.2040	M2	4.0	-	-	-	05	08	10	11	12	15	16	18	20	25	30	-	-	-	-	-	-	-	-	-	-	-	-		
HTL.2550	M2.5	5.0	-	-	-	05	08	10	11	12	15	16	18	20	25	30	-	-	-	-	-	-	-	-	-	-	-	-		
			L2		TAPPED THROUGH										8mm															

Reference	Thread	A/F	L1 Standard Lengths (mm)																											
			-	-	05	06	08	10	11	12	13	14	15	16	18	20	25	30	35	40	45	50	60	-	-	-	-	-	-	
HTL.3050	M3	5.0	-	-	05	06	08	10	11	12	13	14	15	16	18	20	25	30	35	40	45	50	60	-	-	-	-	-		
HTL.3055	M3	5.5	-	-	05	06	08	10	11	12	13	14	15	16	18	20	25	30	35	40	45	50	60	-	-	-	-			
HTL.4070	M4	7.0	-	-	05	06	08	10	11	12	13	14	15	16	18	20	25	30	35	40	45	50	60	70	-	-	-			
HTL.5080	M5	8.0	-	-	05	06	08	10	11	12	13	14	15	16	18	20	25	30	35	40	45	50	60	70	-	-	-			
			L2		TAPPED THROUGH										10mm															

### Nylon Spacers · Hexagonal

Reference	Thread	A/F	L1 Standard Lengths (mm)																											
			-	-	-	06	08	10	12	15	18	20	25	30	35	-	-	-	-	-	-	-	-	-	-	-	-	-	-	
HTN.2550	M2.5	5.0	-	-	-	06	08	10	12	15	18	20	25	30	35	-	-	-	-	-	-	-	-	-	-	-	-			
HTN.3060	M3	6.0	-	-	-	06	08	10	12	15	18	20	25	30	35	-	-	-	-	-	-	-	-	-	-	-				
HTN.4080	M4	8.0	-	-	-	06	08	10	12	15	18	20	25	30	35	40	-	-	-	-	-	-	-	-	-	-				
HTN.5010	M5	10.0	-	-	-	-	-	10	12	15	18	20	25	30	35	40	-	-	-	-	-	-	-	-	-	-				
HTN.6010	M6	10.0	-	-	-	-	-	10	12	15	18	20	25	30	35	40	-	-	-	-	-	-	-	-	-	-				
			L2		TAPPED THROUGH										10mm															

# Spacers, Pillars and Stand-offs

## Pillars

### Materials and Finishes

#### Mild Steel:

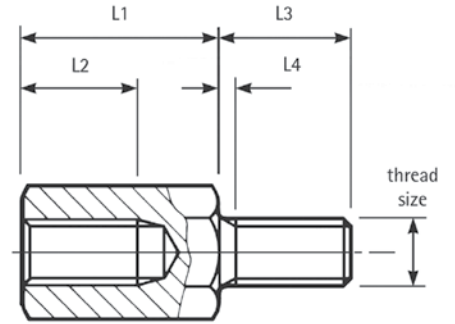
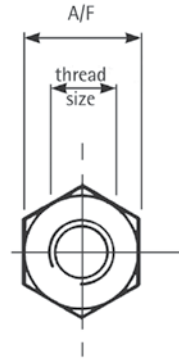
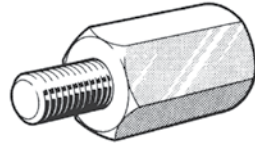
- Electro-zinc plated

#### Brass:

- Electro-nickel plated

#### Nylon:

- Glass reinforced
- Max Service Temp: 110° C
- Colour - Black



## Mild Steel Pillars

Reference	Thread	A/F	L4	L1 Standard Lengths (mm)																					
HSA.3050	M3	5.0	1.0	-	-	05	06	08	10	12	15	16	18	20	25	30	35	40	45	50	60	-	-	-	-
HSA.4070	M4	7.0	1.4	-	-	-	-	08	10	12	15	16	18	20	25	30	35	40	45	50	60	-	-	-	-
HSA.5080	M5	8.0	1.6	-	-	-	-	-	10	12	15	16	18	20	25	30	35	40	45	50	65	70	-	-	-
				L2	-	03	03	04	06	08	08	08	08	08	10	10	10	10	10	10	10	10	-	-	-
				L3	-	08	08	08	08	08	08	08	08	08	10	10	10	10	10	10	10	10	-	-	-

Reference	Thread	A/F	L4	L1 Standard Lengths (mm)																					
HSA.6010	M6	10.0	2.0	-	-	-	-	10	12	15	18	20	25	30	35	40	45	50	60	70	80	90	-	-	-
				L2	-	-	-	06	08	08	12	12	13	13	13	13	13	13	13	13	13	13	-	-	-
				L3	-	-	-	12	12	12	12	12	12	12	12	12	12	12	12	12	12	12	-	-	-

Reference	Thread	A/F	L4	L1 Standard Lengths (mm)																					
HSA.8013	M8	13.0	2.5	-	-	-	-	-	-	15	18	20	25	30	35	40	45	50	45	60	70	80	90	100	120
				L2	-	-	-	-	-	08	12	12	15	15	15	15	15	15	15	15	15	15	15	15	15
				L3	-	-	-	-	-	14	14	14	14	14	14	14	14	14	14	14	14	14	14	14	14

# Spacers, Pillars and Stand-offs

## Brass Pillars

Reference	Thread	A/F	L4	L1 Standard Lengths (mm)																					
HSL.2040	M2	4.0	0.8	-	-	05	06	08	10	11	12	14	16	18	20	25	30	-	-	-	-	-	-	-	-
HSL.2550	M2.5	5.0	0.9	-	-	05	06	08	10	11	12	14	16	18	20	25	30	-	-	-	-	-	-	-	-
			L2	-	03	03	04	06	06	06	06	06	06	06	06	06	06	-	-	-	-	-	-	-	-
			L3	-	06	06	06	06	06	06	06	06	06	06	06	06	06	-	-	-	-	-	-	-	-

Reference	Thread	A/F	L4	L1 Standard Lengths (mm)																							
HSL.3050	M3	5.0	1.0	-	-	05	06	07	08	09	10	11	12	14	15	16	18	20	25	30	35	40	50	60	-		
HSL.4070	M4	7.0	1.4	-	-	-	-	-	08	09	10	11	12	14	15	16	18	20	25	30	35	40	50	60	-		
HSL.5080	M5	8.0	1.6	-	-	-	-	-	-	-	10	11	12	14	15	16	18	20	25	30	35	40	50	60	-		
			L2	-	03	03	06	08	08	08	08	08	08	08	08	08	08	08	10	10	10	10	10	10	10		
			L3	-	08	08	08	08	08	08	08	08	08	08	08	08	08	08	10	10	10	10	10	10	10		

## Nylon Pillars

Reference	Thread	A/F	L1 Standard Lengths (mm)																							
HSN.3060	M3	6.0	-	-	-	-	-	10	12	15	18	20	25	30	35	40	45	50	-	-	-	-	-	-	-	
HSN.4080	M4	8.0	-	-	-	-	-	10	12	15	18	20	25	30	35	40	45	50	-	-	-	-	-	-	-	
HSN.5010	M5	10.0	-	-	-	-	-	10	12	15	18	20	25	30	35	40	45	50	-	-	-	-	-	-	-	
			L2	-	-	-	-	07	09	10	10	10	10	10	10	10	10	10	-	-	-	-	-	-	-	
			L3	-	-	-	-	08	08	08	08	08	08	08	08	08	08	08	-	-	-	-	-	-	-	

## Pillars

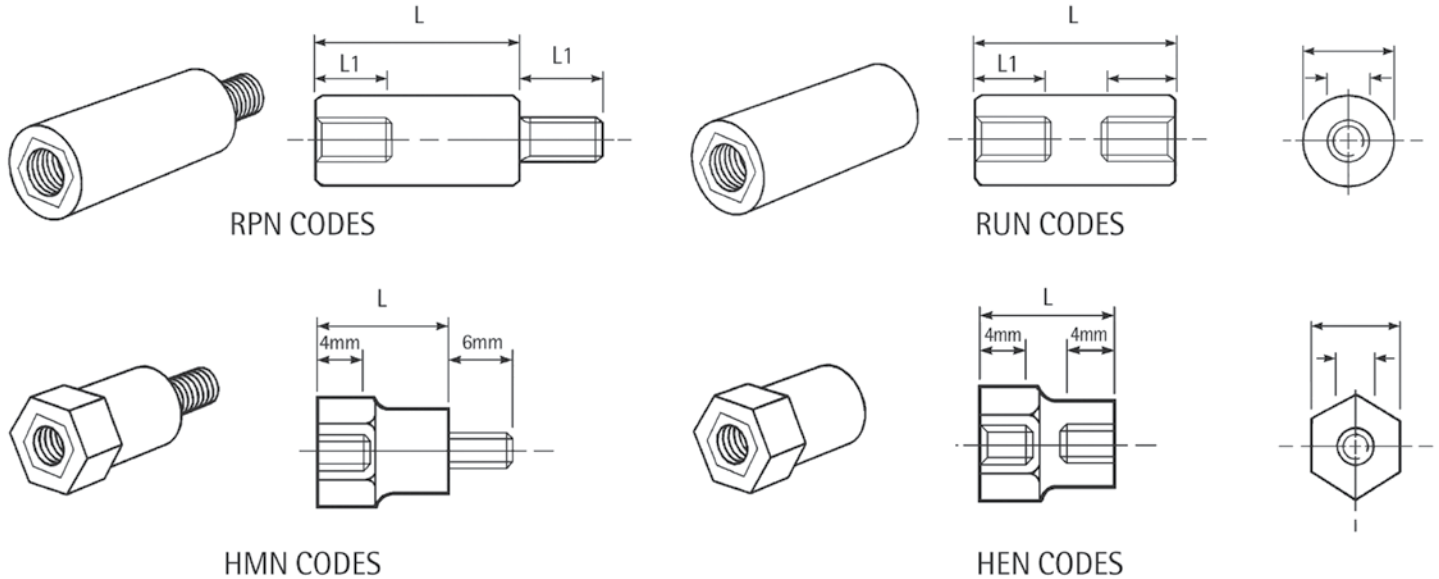
### Materials and Finishes

#### Nylon:

- Max Service Temp: 85° C
- Colour - White

#### Studs/Bushes:

- RPN/RUN - Brass self-colour
- HMN/HEN - Brass Ni plated



### Nylon Spacers Pillar · Round

Reference	Thread	ØD	L1	L1 Standard Lengths (mm)							
RUN.3080	M3	8.0	6.0	15	20	25	30	35	40	45	50
RUN.4080	M4	8.0	6.0	15	20	25	30	35	40	45	50
RUN.5090	M5	9.5	10.0	-	-	25	30	35	40	45	50
RUN.6012	M6	12.7	12.7	-	-	25	30	35	40	45	50

Reference	Thread	ØD	L1	L1 Standard Lengths (mm)							
RPN.3080	M3	8.0	6.0	15	20	25	30	35	40	45	50
RPN.4080	M4	8.0	6.0	15	20	25	30	35	40	45	50
RPN.5090	M5	9.5	10.0	-	-	25	30	35	40	45	50
RPN.6012	M6	12.7	12.7	-	-	25	30	35	40	45	50

### Nylon Micro-Pillars · Hexagonal

Reference	Thread	AF	L1 Standard Lengths (mm)					
HEN.2560	M2.5	6.0	07	08	09	10	11	12
HEN.3070	M3	7.0	-	-	09	10	11	12

Reference	Thread	AF	L1 Standard Lengths (mm)					
HMN.2560	M2.5	-	-	-	09	10	11	12
HMN.3070	M3	-	-	-	09	10	11	12

# Spacers, Pillars and Stand-offs

## Pillars

A quality range of insulating pillars in BP5400 High Heat / Super Impact Premium polystyrene, light grey in colour, ranging from 10mm to 120mm in length.

### Materials and Finishes

#### Studs:

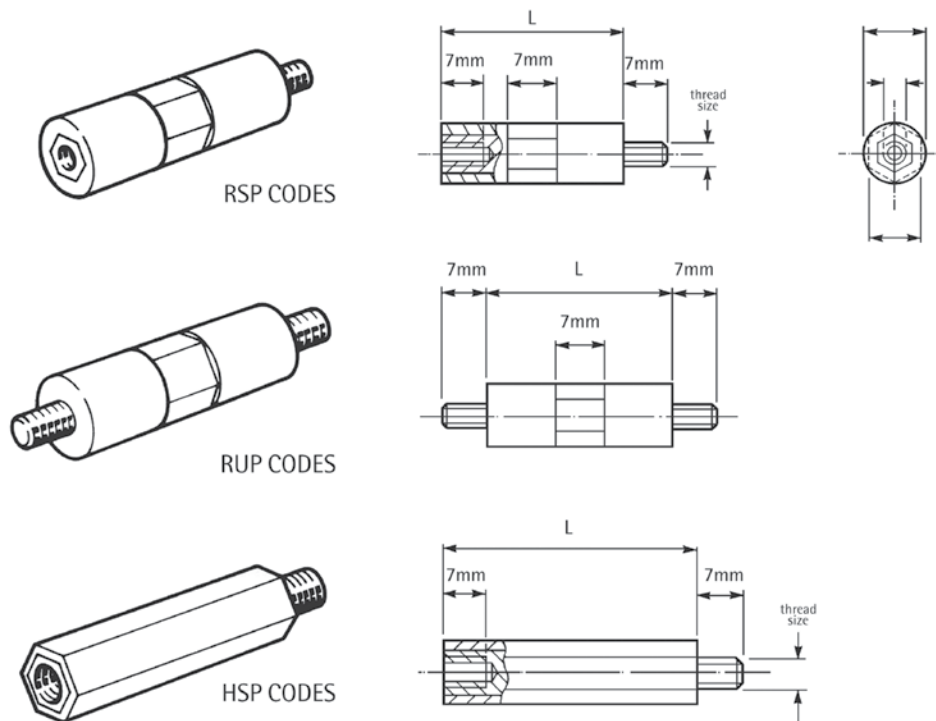
- Mild steel: Electro-zinc plated
- Colour - White

#### Bushes:

- Brass self-colour

#### Electrical Properties:

- Dissipation factor: IEC 250 4.10-4
- Insulation resistance: 10-13m.ohm
- Dielectric constant: IEC 250.25
- Dielectric strength: DIN 5348-1150 kV/mm
- Max service temp: 70°C



## Polystyrene Pillars

Reference	Thread	ØD	A/F	L1 Standard Lengths (mm)																					
				-	-	-	-	15	20	25	30	40	-	55	-	-	-	-	-	-	-	-			
RSP.3070	M3	7.0	6.0	-	-	-	-	-	15	20	25	30	40	-	55	-	-	-	-	-	-	-	-	-	
RSP.4010	M4	10.0	9.0	-	-	-	-	10	15	20	25	30	40	-	55	60	-	-	-	90	-	-	-	-	
RUP.3070	M3	7.0	6.0	-	-	-	-	-	15	20	25	30	40	-	55	-	-	-	-	-	-	-	-	-	
HSP.5013	M5	-	13.0	-	-	-	-	-	15	20	-	30	-	-	55	-	70	-	85	-	-	-	-	-	
HSP.6013	M6	-	13.0	-	-	-	-	-	15	20	-	30	-	45	-	-	70	-	-	-	-	-	-	120	-



## 'Klip-Loc' Pillars

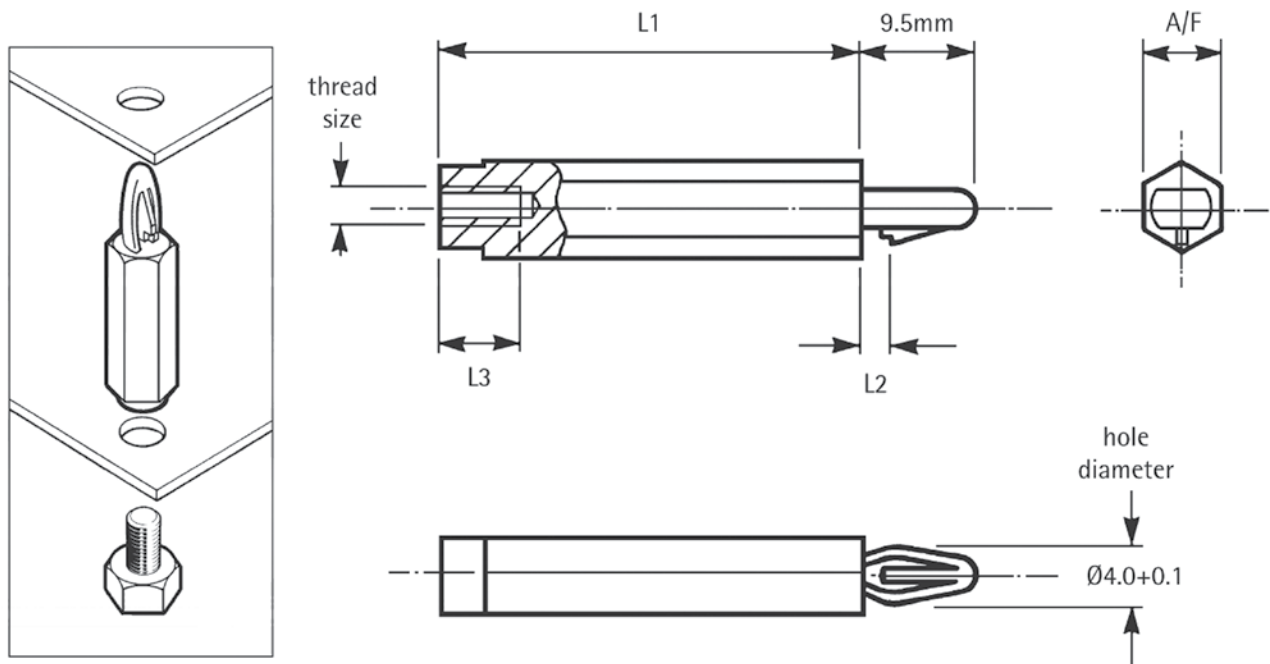
A range of screw mounted printed circuit board support pillars with Klip-Loc feature, allowing boards to be easily attached and removed.

### Materials and Finishes

#### Nylon

- Colour - Black

Other lengths available to order, subject to minimum order quantities.



## Klip-Loc Pillars

Reference	Thread	A/F	L2	L1 Standard Lengths (mm)																			
				-	-	-	-	06	08	10	12	15	18	20	25	30	35	40	50	-	-	-	-
HKN.3060	M3	6.0	2.1	-	-	-	-	06	08	10	12	15	18	20	25	30	35	40	50	-	-	-	-
HKN.3080	M3	8.0	1.8	-	-	-	-	06	08	10	12	15	18	20	25	30	35	40	50	-	-	-	-
HKN.4080	M4	8.0	1.8	-	-	-	-	06	08	10	12	15	18	20	25	30	35	40	50	-	-	-	-
				L3	-	-	-	3.0	4.0	5.0	6.0	7.5	9.0	10.0	10.0	10.0	10.0	10.0	10.0	-	-	-	-

# Spacers, Pillars and Stand-offs

## Connector Screw Locks

Any combination of M3 and 4NC can be specified for stud and tapped hole threads.

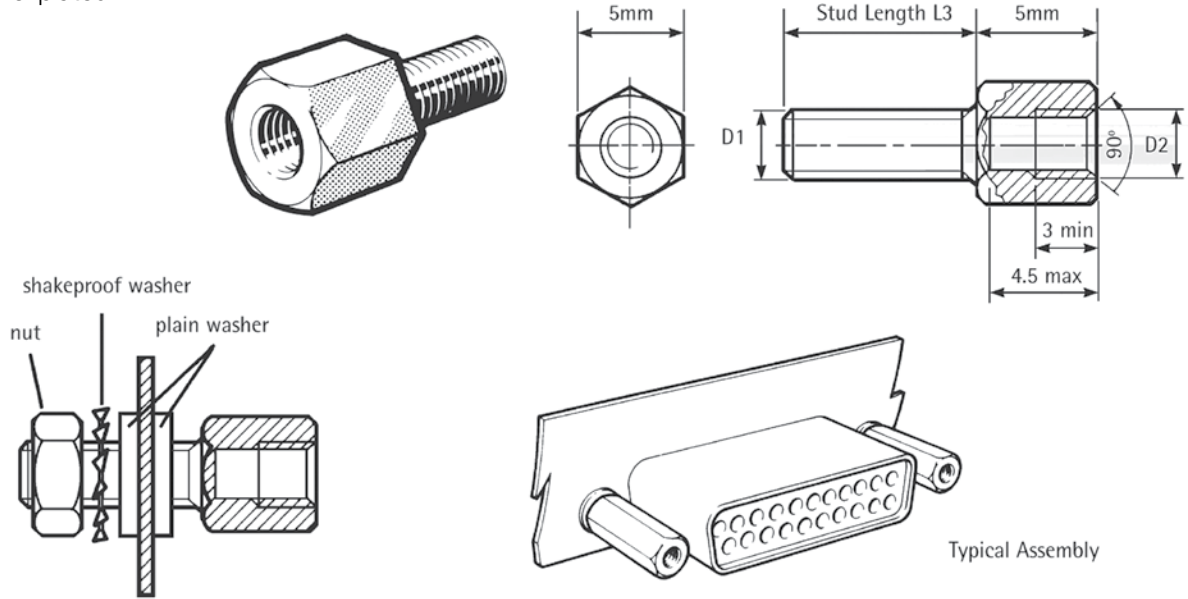
### Materials and Finishes

#### Mild Steel

- Electro-zinc plated

#### Brass

- Electro-nickel plated



\*Nuts and washers not supplied.

## Brass · Nickel Plated Connector Screw Locks

Stud Thread D1	Internal Thread D2	Stud Length L3mm	Order Code	Stud Length L3mm	Order Code	Stud Length L3mm	Order Code
M3	M3	6	HSL.06.M3.M3	8	HSL.08.M3.M3	12	HSL.12.M3.M3
4NC	M3	6	HSL.06.4NC.M3	8	HSL.08.4NC.M3	12	HSL.12.4NC.M3
M3	4NC	6	HSL.06.M3.4NC	8	HSL.08.M3.4NC	12	HSL.12.M3.4NC
4NC	4NC	6	HSL.06.4NC.4NC	8	HSL.08.4NC.4NC	12	HSL.12.4NC.4NC

## Steel · Zinc Plated Connector Screw Locks

Stud thread D1	Internal Thread D2	Stud Length L3mm	Order Code	Stud Length L3mm	Order Code	Stud Length L3mm	Order Code
M3	M3	6	HSA.06.M3.M3	8	HSA.08.M3.M3	12	HSA.12.M3.M3
4NC	M3	6	HSA.06.4NC.M3	8	HSA.08.4NC.M3	12	HSA.12.4NC.M3
M3	4NC	6	HSA.06.M3.4NC	8	HSA.08.M3.4NC	12	HSA.12.M3.4NC
4NC	4NC	6	HSA.06.4NC.4NC	8	HSA.08.4NC.4NC	12	HSA.12.4NC.4NC

# Premier Industrial Company Leading Brands

## OTHER PRODUCT SOLUTIONS FROM **ALTRA MOTION**

Our comprehensive product offerings include various types of clutches and brakes, overrunning clutches, engineered bearing assemblies, gearing and gear motors along with linear motion products, belted drives, couplings, limit switches, precision motors, drives & controls, miniature motors and engine braking systems. With thousands of product solutions available, Altra provides true single source convenience while meeting specific customer requirements. Many major OEMs and end users prefer Altra products as their No. 1 choice for performance and reliability.

[WWW.ALTRAMOTION.COM](http://WWW.ALTRAMOTION.COM)



### **Electric Clutches & Brakes**

Inertia Dynamics  
Matrix  
Stromag  
Warner Electric



### **Precision Motors & Automation**

Kollmorgen



### **Heavy Duty Clutches & Brakes**

Industrial Clutch  
Stromag  
Svendborg Brakes  
Twiflex  
Wichita Clutch



### **Miniature Motors**

Portescap



### **Overrunning Clutches**

Formsprag Clutch  
Marland Clutch  
Stieber



### **Linear Systems**

Thomson  
Warner Linear



### **Engineered Couplings & Universal Joints**

Ameridrives  
Bibby Turboflex  
Guardian Couplings  
Huco  
Lamiflex Couplings  
Stromag  
TB Wood's



### **Engine Braking Systems**

Jacobs Vehicle Systems



### **Gear Drives & Gear Motors**

Bauer Gear Motor  
Boston Gear  
Delroyd Worm Gear  
Nuttall Gear



### **Specialty Components**

Killian  
Stromag  
TB Wood's

## Huco Facilities

### Europe

#### United Kingdom

Merchant Drive, Hertford  
Hertfordshire SG13 7BL - England  
+44(0)1992 501900

*Precision Couplings and  
Air Motors*

### North America

#### USA

440 North Fifth Avenue  
Chambersburg, PA 17201 - USA  
888-829-6637 or 717-264-7161

*Precision Couplings and  
Air Motors*

## The Brands of Altra Motion

### Couplings

**Ameridrives**  
[www.ameridrives.com](http://www.ameridrives.com)

**Bibby Turboflex**  
[www.bibbyturboflex.com](http://www.bibbyturboflex.com)

**Guardian Couplings**  
[www.guardiancouplings.com](http://www.guardiancouplings.com)

**Huco**  
[www.huco.com](http://www.huco.com)

**Lamiflex Couplings**  
[www.lamiflexcouplings.com](http://www.lamiflexcouplings.com)

**Stromag**  
[www.stromag.com](http://www.stromag.com)

**TB Wood's**  
[www.tbwoods.com](http://www.tbwoods.com)

### Linear Systems

**Thomson**  
[www.thomsonlinear.com](http://www.thomsonlinear.com)

**Warner Linear**  
[www.warnerlinear.com](http://www.warnerlinear.com)

### Geared Cam Limit Switches

**Stromag**  
[www.stromag.com](http://www.stromag.com)

### Engineered Bearing Assemblies

**Kilian**  
[www.kilianbearings.com](http://www.kilianbearings.com)

### Electric Clutches & Brakes

**Matrix**  
[www.matrix-international.com](http://www.matrix-international.com)

**Stromag**  
[www.stromag.com](http://www.stromag.com)

**Warner Electric**  
[www.warnerelectric.com](http://www.warnerelectric.com)

**Deltran**  
[www.thomsonlinear.com](http://www.thomsonlinear.com)

### Belted Drives

**TB Wood's**  
[www.tbwoods.com](http://www.tbwoods.com)

### Heavy Duty Clutches & Brakes

**Twiflex**  
[www.twiflex.com](http://www.twiflex.com)

**Stromag**  
[www.stromag.com](http://www.stromag.com)

**Svendborg Brakes**  
[www.svendborg-brakes.com](http://www.svendborg-brakes.com)

**Wichita Clutch**  
[www.wichitaclutch.com](http://www.wichitaclutch.com)

### Gearing & Specialty Components

**Bauer Gear Motor**  
[www.bauergears.com](http://www.bauergears.com)

**Boston Gear**  
[www.bostongear.com](http://www.bostongear.com)

**Delevan**  
[www.delevan.com](http://www.delevan.com)

**Delroyd Worm Gear**  
[www.delroyd.com](http://www.delroyd.com)

**Nuttall Gear**  
[www.nuttallgear.com](http://www.nuttallgear.com)

### Engine Braking Systems

**Jacobs Vehicle Systems**  
[www.jacobsvehiclesystems.com](http://www.jacobsvehiclesystems.com)

### Precision Motors & Automation

**Kollmorgen**  
[www.kollmorgen.com](http://www.kollmorgen.com)

### Miniature Motors

**Portescap**  
[www.portescap.com](http://www.portescap.com)

### Overrunning Clutches

**Formsprag Clutch**  
[www.formsprag.com](http://www.formsprag.com)

**Marland Clutch**  
[www.marland.com](http://www.marland.com)

**Stieber**  
[www.stieberclutch.com](http://www.stieberclutch.com)

Neither the accuracy nor completeness of the information contained in this publication is guaranteed by the company and may be subject to change in its sole discretion. The operating and performance characteristics of these products may vary depending on the application, installation, operating conditions and environmental factors. The company's terms and conditions of sale can be viewed at <http://www.altramotion.com/terms-and-conditions/sales-terms-and-conditions>. These terms and conditions apply to any person who may buy, acquire or use a product referred to herein, including any person who buys from a licensed distributor of these branded products.

©2019 by Huco LLC. All rights reserved. All trademarks in this publication are the sole and exclusive property of Huco LLC or one of its affiliated companies.