

# Motor Brakes

## AC Motor Brakes - Nema 2 Housing



### AC MOTOR BRAKES

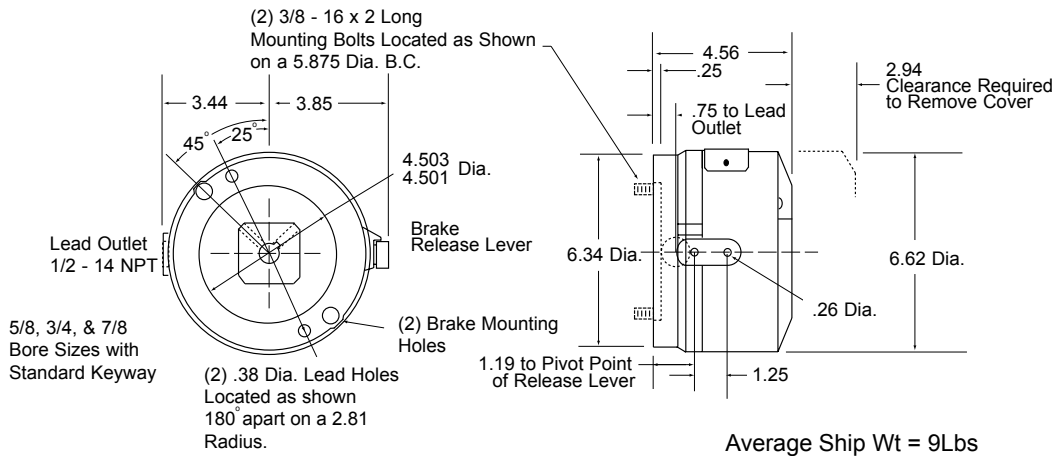
**56,000 & 56,100 Nema 2 Housing**  
**56,300 Nema 1 Housing**

**F Series**

Factory Assembled and Tested  
 Manual Release  
 AC Power Off  
 Rear Mounted  
 Aluminum Head  
 Steel Cover

3 Ft-Lb  
 6 Ft-Lb  
 10 Ft-Lb  
 15 Ft-Lb

### AC Rear Mounted Brake



### Brake Part Numbers

COIL VOLTAGE	5/8 BORE HUB			
	3 FT. LB. BRAKES	6 FT. LB. BRAKES	10 FT. LB. BRAKES	15 FT. LB. BRAKES
115/230, 60HZ	F51A0321	F52A0621	F52A0721	F53A0821
230/460, 60 HZ	F51A0324	F52A0624	F52A0724	F53A0824
287/575, 60 HZ	F51A0325	F52A0625	F52A0725	F53A0825
115/230, 50HZ	F51A0328	F52A0628	F52A0728	F53A0828
230/460, 50 HZ	F51A0329	F52A0629	F52A0729	F53A0829

COIL VOLTAGE	3/4 BORE HUB			
	3 FT. LB. BRAKES	6 FT. LB. BRAKES	10 FT. LB. BRAKES	15 FT. LB. BRAKES
115/230, 60HZ	F51B0321	F52B0621	F52B0721	F53B0821
230/460, 60 HZ	F51B0324	F52B0624	F52B0724	F53B0824
287/575, 60 HZ	F51B0325	F52B0625	F52B0725	F53B0825
115/230, 50HZ	F51B0328	F52B0628	F52B0728	F53B0828
230/460, 50 HZ	F51B0329	F52B0629	F52B0729	F53B0829

COIL VOLTAGE	7/8 BORE HUB			
	3 FT. LB. BRAKES	6 FT. LB. BRAKES	10 FT. LB. BRAKES	15 FT. LB. BRAKES
115/230, 60HZ	F51C0321	F52C0621	F52C0721	F53C0821
230/460, 60 HZ	F51C0324	F52C0624	F52C0724	F53C0824
287/575, 60 HZ	F51C0325	F52C0625	F52C0725	F53C0825
115/230, 50HZ	F51C0328	F52C0628	F52C0728	F53C0828
230/460, 50 HZ	F51C0329	F52C0629	F52C0729	F53C0829

### Technical Data

60 HZ BRAKE COILS SINGLE PHASE			50HZ BRAKE COILS SINGLE PHASE			STATIC TORQUE FT. LB.	NUMBER DISCS
VOLTAGE	CURRENT HOLDING AMPS	CURRENT INRUSH AMPS	VOLTAGE	CURRENT HOLDING AMPS	CURRENT INRUSH AMPS		
115/230	.50/.25	3.66/1.83	115/230	.45/.22	3.27/1.64	3	1
230/460	.28/.14	1.94/.97	230/460	.24/.12	1.76/.88	6	2
287/575	.22/.11	1.54/.77				10	2
						15	3

## AC Motor Brakes - Nema 2 Housing



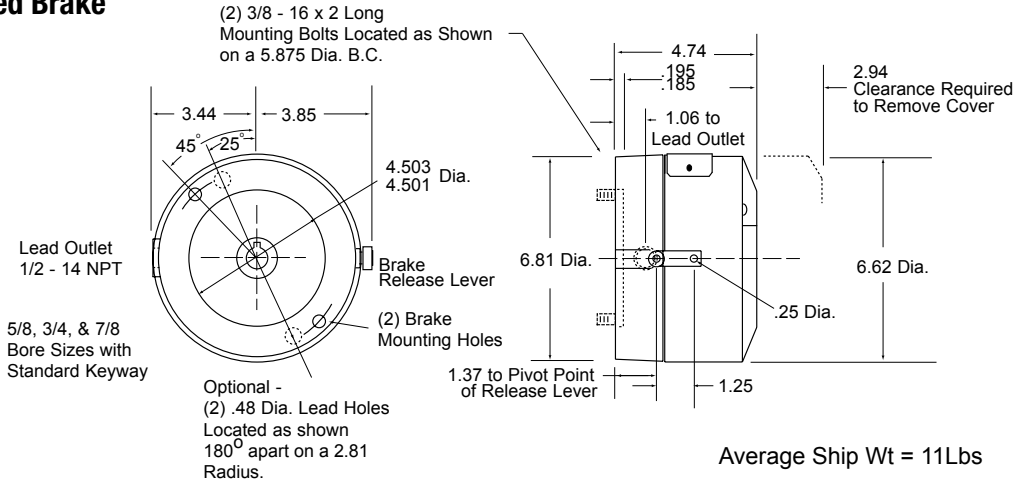
### AC MOTOR BRAKES

#### 56,400 Nema 2 Housing

#### F Series

- |                              |          |
|------------------------------|----------|
| Factory Assembled and Tested | 3 Ft-Lb  |
| Manual Release               | 6 Ft-Lb  |
| AC Power Off                 | 10 Ft-Lb |
| Rear Mounted                 | 15 Ft-Lb |
| Cast Iron Head               |          |
| Steel Cover                  |          |

### AC Rear Mounted Brake



### Brake Part Numbers

COIL VOLTAGE	5/8 BORE HUB			
	3 FT. LB. BRAKES	6 FT. LB. BRAKES	10 FT. LB. BRAKES	15 FT. LB. BRAKES
115/230, 60HZ	F51A7321	F52A7621	F52A7721	F53A7821
230/460, 60 HZ	F51A7324	F52A7624	F52A7724	F53A7824
287/575, 60 HZ	F51A7325	F52A7625	F52A7725	F53A7825
115/230, 50HZ	F51A7328	F52A7628	F52A7728	F53A7828
230/460, 50 HZ	F51A7329	F52A7629	F52A7729	F53A7829

COIL VOLTAGE	3/4 BORE HUB			
	3 FT. LB. BRAKES	6 FT. LB. BRAKES	10 FT. LB. BRAKES	15 FT. LB. BRAKES
115/230, 60HZ	F51B7321	F52B7621	F52B7721	F53B7821
230/460, 60 HZ	F51B7324	F52B7624	F52B7724	F53B7824
287/575, 60 HZ	F51B7325	F52B7625	F52B7725	F53B7825
115/230, 50HZ	F51B7328	F52B7628	F52B7728	F53B7828
230/460, 50 HZ	F51B7329	F52B7629	F52B7729	F53B7829

COIL VOLTAGE	7/8 BORE HUB			
	3 FT. LB. BRAKES	6 FT. LB. BRAKES	10 FT. LB. BRAKES	15 FT. LB. BRAKES
115/230, 60HZ	F51C7321	F52C7621	F52C7721	F53C7821
230/460, 60 HZ	F51C7324	F52C7624	F52C7724	F53C7824
287/575, 60 HZ	F51C7325	F52C7625	F52C7725	F53C7825
115/230, 50HZ	F51C7328	F52C7628	F52C7728	F53C7828
230/460, 50 HZ	F51C7329	F52C7629	F52C7729	F53C7829

### Technical Data

60 HZ BRAKE COILS SINGLE PHASE			50HZ BRAKE COILS SINGLE PHASE			STATIC TORQUE FT. LB.	NUMBER DISCS
VOLTAGE	CURRENT HOLDING AMPS	CURRENT INRUSH AMPS	VOLTAGE	CURRENT HOLDING AMPS	CURRENT INRUSH AMPS		
115/230	.50/.25	3.66/1.83	115/230	.45/.22	3.27/1.64	3	1
230/460	.28/.14	1.94/.97	230/460	.24/.12	1.76/.88	6	2
287/575	.22/.11	1.54/.77				10	2
						15	3

# Motor Brakes

## AC Motor Brakes - Nema 4 Housing



### AC MOTOR BRAKES

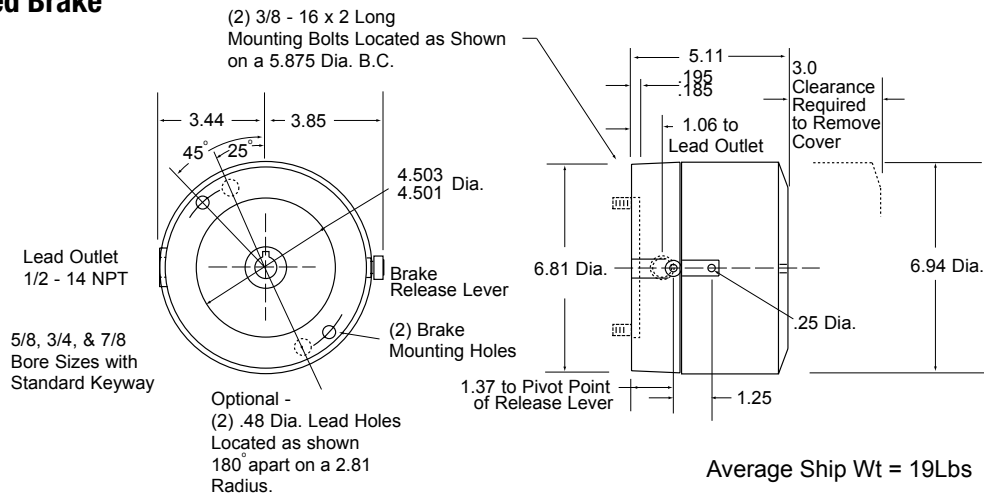
#### 56,200 Nema 4 Housing

Factory Assembled and Tested  
 Manual Release  
 AC Power Off  
 Rear Mounted  
 Cast Iron Head  
 Cast Iron Cover  
 Includes O-Ring Seals to create a dust-tight brake enclosure

#### F Series

3 Ft-Lb  
 6 Ft-Lb  
 10 Ft-Lb  
 15 Ft-Lb

### AC Rear Mounted Brake



### Brake Part Numbers

COIL VOLTAGE	5/8 BORE HUB			
	3 FT. LB. BRAKES	6 FT. LB. BRAKES	10 FT. LB. BRAKES	15 FT. LB. BRAKES
115/230, 60HZ	F51A1311	F52A1611	F52A1711	F53A1811
230/460, 60 HZ	F51A1314	F52A1614	F52A1714	F53A1814
287/575, 60 HZ	F51A1315	F52A1615	F52A1715	F53A1815
115/230, 50HZ	F51A1318	F52A1618	F52A1718	F53A1818
230/460, 50 HZ	F51A1319	F52A1619	F52A1719	F53A1819

COIL VOLTAGE	3/4 BORE HUB			
	3 FT. LB. BRAKES	6 FT. LB. BRAKES	10 FT. LB. BRAKES	15 FT. LB. BRAKES
115/230, 60HZ	F51B1311	F52B1611	F52B1711	F53B1811
230/460, 60 HZ	F51B1314	F52B1614	F52B1714	F53B1814
287/575, 60 HZ	F51B1315	F52B1615	F52B1715	F53B1815
115/230, 50HZ	F51B1318	F52B1618	F52B1718	F53B1818
230/460, 50 HZ	F51B1319	F52B1619	F52B1719	F53B1819

COIL VOLTAGE	7/8 BORE HUB			
	3 FT. LB. BRAKES	6 FT. LB. BRAKES	10 FT. LB. BRAKES	15 FT. LB. BRAKES
115/230, 60HZ	F51C1311	F52C1611	F52C1711	F53C1811
230/460, 60 HZ	F51C1314	F52C1614	F52C1714	F53C1814
287/575, 60 HZ	F51C1315	F52C1615	F52C1715	F53C1815
115/230, 50HZ	F51C1318	F52C1618	F52C1718	F53C1818
230/460, 50 HZ	F51C1319	F52C1619	F52C1719	F53C1819

### Technical Data

60 HZ BRAKE COILS SINGLE PHASE			50HZ BRAKE COILS SINGLE PHASE			STATIC TORQUE FT. LB.	NUMBER DISCS
VOLTAGE	CURRENT HOLDING AMPS	CURRENT INRUSH AMPS	VOLTAGE	CURRENT HOLDING AMPS	CURRENT INRUSH AMPS		
115/230	.50/.25	3.66/1.83	115/230	.45/.22	3.27/1.64	3	1
230/460	.28/.14	1.94/.97	230/460	.24/.12	1.76/.88	6	2
287/575	.22/.11	1.54/.77				10	2
						15	3

## AC Motor Brakes - Nema 2 Housing



### AC MOTOR BRAKES

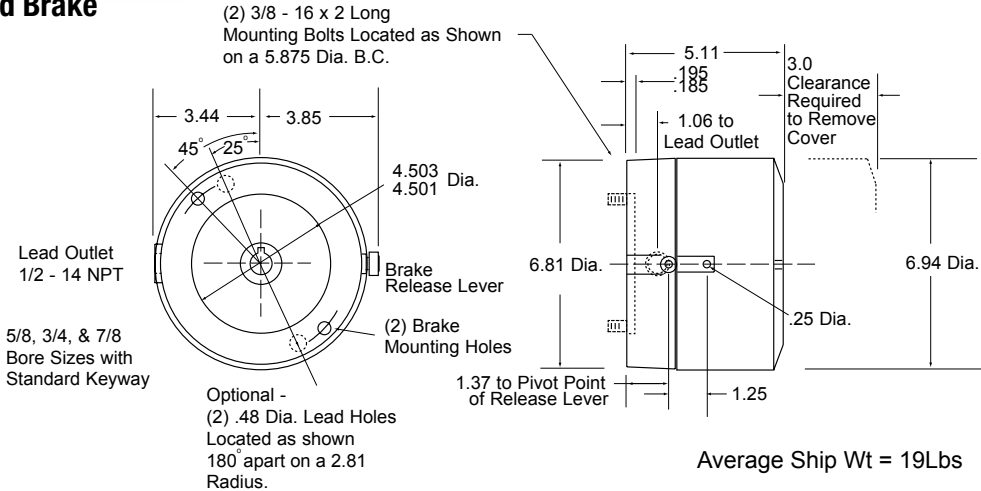
#### 56,000 Nema 2 Housing

#### F Series

Factory Assembled and Tested  
 Manual Release  
 AC Power Off  
 Rear Mounted  
 Cast Iron Head  
 Cast Iron Cover

3 Ft-Lb  
 6 Ft-Lb  
 10 Ft-Lb  
 15 Ft-Lb

### AC Rear Mounted Brake



### Brake Part Numbers

COIL VOLTAGE	5/8 BORE HUB			
	3 FT. LB. BRAKES	6 FT. LB. BRAKES	10 FT. LB. BRAKES	15 FT. LB. BRAKES
115/230, 60HZ	F51A8311	F52A8611	F52A8711	F53A8811
230/460, 60 HZ	F51A8314	F52A8614	F52A8714	F53A8814
287/575, 60 HZ	F51A8315	F52A8615	F52A8715	F53A8815
115/230, 50HZ	F51A8318	F52A8618	F52A8718	F53A8818
230/460, 50 HZ	F51A8319	F52A8619	F52A8719	F53A8819

COIL VOLTAGE	3/4 BORE HUB			
	3 FT. LB. BRAKES	6 FT. LB. BRAKES	10 FT. LB. BRAKES	15 FT. LB. BRAKES
115/230, 60HZ	F51B8311	F52B8611	F52B8711	F53B8811
230/460, 60 HZ	F51B8314	F52B8614	F52B8714	F53B8814
287/575, 60 HZ	F51B8315	F52B8615	F52B8715	F53B8815
115/230, 50HZ	F51B8318	F52B8618	F52B8718	F53B8818
230/460, 50 HZ	F51B8319	F52B8619	F52B8719	F53B8819

COIL VOLTAGE	7/8 BORE HUB			
	3 FT. LB. BRAKES	6 FT. LB. BRAKES	10 FT. LB. BRAKES	15 FT. LB. BRAKES
115/230, 60HZ	F51C8311	F52C8611	F52C8711	F53C8811
230/460, 60 HZ	F51C8314	F52C8614	F52C8714	F53C8814
287/575, 60 HZ	F51C8315	F52C8615	F52C8715	F53C8815
115/230, 50HZ	F51C8318	F52C8618	F52C8718	F53C8818
230/460, 50 HZ	F51C8319	F52C8619	F52C8719	F53C8819

### Technical Data

60 HZ BRAKE COILS SINGLE PHASE			50HZ BRAKE COILS SINGLE PHASE		
VOLTAGE	CURRENT HOLDING AMPS	CURRENT INRUSH AMPS	VOLTAGE	CURRENT HOLDING AMPS	CURRENT INRUSH AMPS
115/230	.50/.25	3.66/1.83	115/230	.45/.22	3.27/1.64
230/460	.28/.14	1.94/.97	230/460	.24/.12	1.76/.88
287/575	.22/.11	1.54/.77			

STATIC TORQUE FT. LB.	NUMBER DISCS
3	1
6	2
10	2
15	3