

# Spring Set Holding Brakes

## Model 303



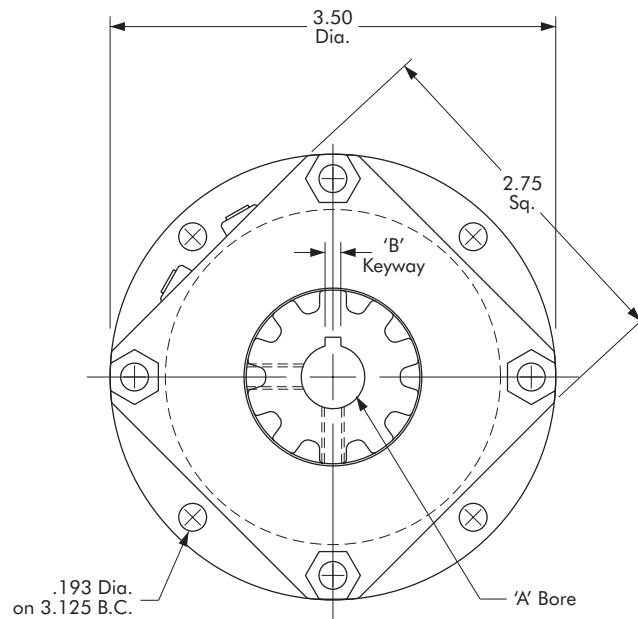
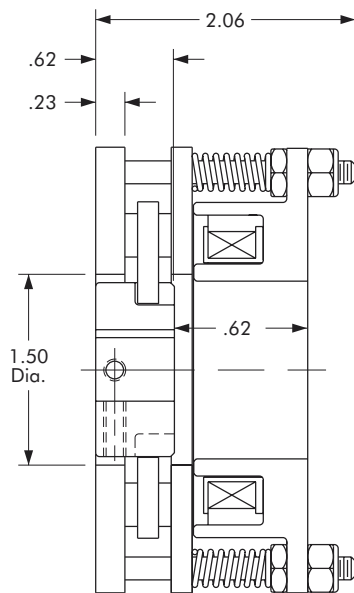
### SPRING SET HOLDING BRAKE

#### Model 303

- Factory Assembled and Tested
- Spline Drive

#### Customer Shall Maintain:

The concentricity between mounting flange and shaft within .006; the perpendicularity between mounting surface and shaft within .006.



#### Technical Data

MODEL NO.	WEIGHT LBS.	STATIC TORQUE IN. LBS.	COIL VOLTAGE VDC	*RATED CURRENT AMPS
303	1.8	35	90	.157

\* Rated Current for 90v.

"A" Bore	"B" Keyway
3/8"	None
1/2"	.125 x .062
5/8"	.188 x .093
3/4"	.188 x .093

#### Order Parts for Assembly No. FC303069

ITEM	QTY.	DESCRIPTION	MODEL NO. 303
A	1	Rotor Hub Assembly 3/8" Plain Bore 1/2" Bore 5/8" Bore 3/4" Bore	303453-PB 303451-3 303451-5 303453-8
M	1	Spring Set Holding Brake 24 Volts 90 Volts	303070-3 303070-4

To order, specify: 1, Spring Set Holding Brake of required voltage  
1, Rotor Hub Assembly of required bore size.