

Spring Set Holding Brakes

Model 305



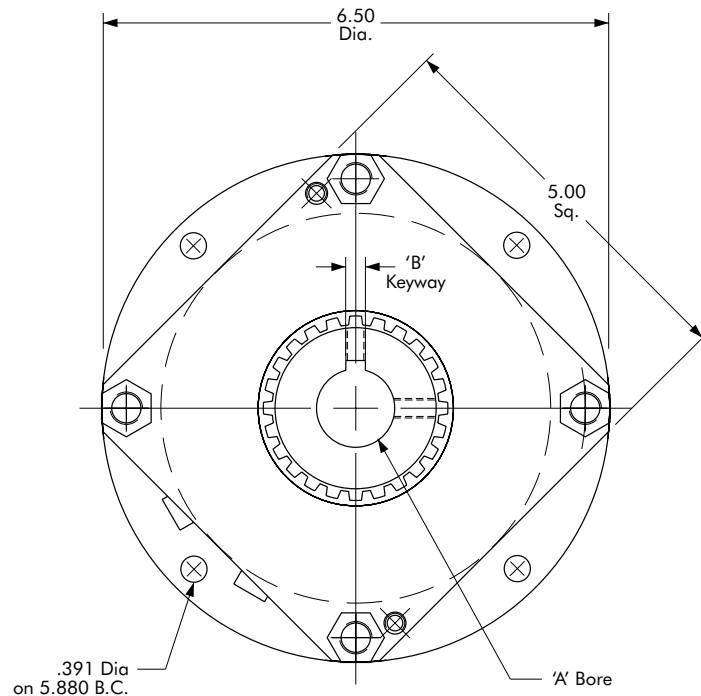
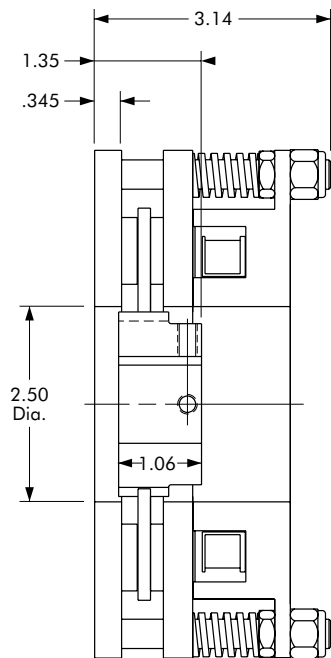
SPRING SET HOLDING BRAKE

Model 305

- Factory Assembled and Tested
- Spline Drive

Customer Shall Maintain:

The concentricity between mounting flange and shaft within .006; the perpendicularity between mounting surface and shaft within .006.



Technical Data

MODEL NO.	WEIGHT LBS.	STATIC TORQUE IN. LBS.	COIL VOLTAGE VDC	*RATED CURRENT AMPS
305	9.75	425	90	.427

* Rated Current for 90v.

"A" Bore	"B" Keyway
3/4"	.187 x .094
7/8"	.187 x .094
1"	.250 x .125
1-1/8"	.250 x .125
1-1/4"	.250 x .125

Order Parts for Assembly No. FC305069

ITEM	QTY.	DESCRIPTION	MODEL NO. 305
A	1	Rotor Hub Assembly 3/4" Plain Bore 3/4" Bore 7/8" Bore 1" Bore 1-1/8" Bore 1-1/4" Bore	305454-PB 305453-11 305453-12 305453-13 305453-14 305453-15
M	1	Spring Set Holding Brake 24 Volts 90 Volts 36 Volts	305070-3 305070-4 305070-5

To order, specify: 1, Spring Set Holding Brake of required voltage
1, Rotor Hub Assembly of required bore size.