

Spring Set Holding Brakes

Model 305HQ



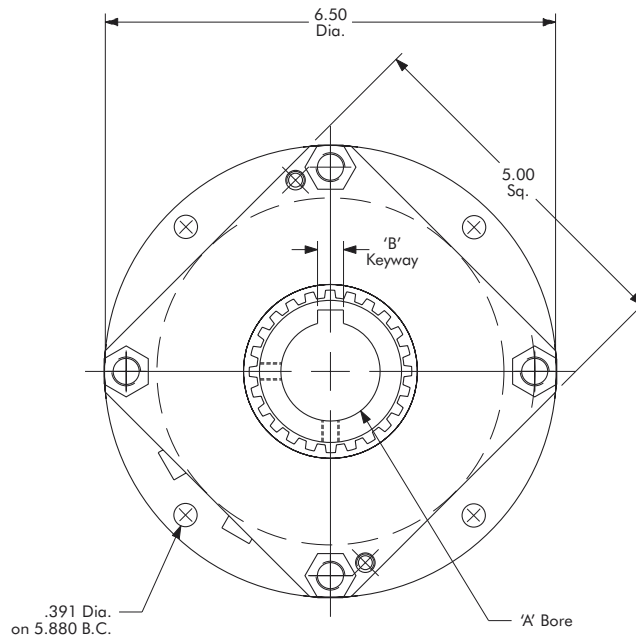
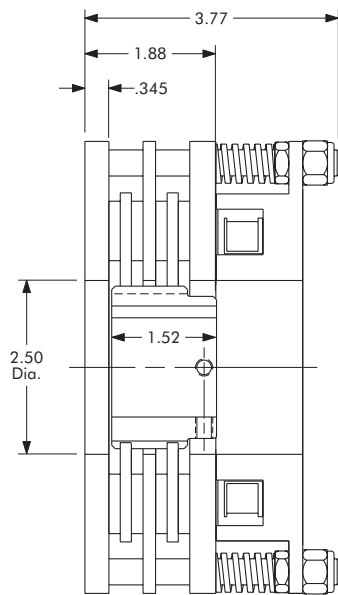
SPRING SET HOLDING BRAKE

Model 305HQ

- Factory Assembled and Tested
- Spline Drive
- Double Disc

Customer Shall Maintain:

The concentricity between mounting flange and shaft within .006; the perpendicularity between mounting surface and shaft within .006.



Technical Data

MODEL NO.	WEIGHT LBS.	STATIC TORQUE IN. LBS.	COIL VOLTAGE VDC	*RATED CURRENT AMPS
305HQ	11.5	800	90	.427

* Rated Current for 90v.

"A" Bore	"B" Keyway
3/4"	None
1"	.250 x .125
1-1/4"	.250 x .125
1-1/2"	.250 x .187

Order Parts for Assembly No. FC305071

ITEM	QTY.	DESCRIPTION	MODEL NO. 305HQ
A	1	Rotor Hub Assembly 3/4" Plain Bore 1" Bore 1-1/4" Bore 1-1/2" Bore	305466-DPB 305453-20 305453-22 305453-17
M	1	Spring Set Holding Brake Double Disc 24 Volts 90 Volts	305072-3 305072-4

To order, specify: 1, Spring Set Holding Brake of required voltage
1, Rotor Hub Assembly of required bore size.