



Moduline® Inline Speed Reducers



**ORDER-TO-DELIVERY
IN 3 WEEKS!**



Moduline Inline Speed Reducers

Nuttall's New Delivery Commitment

- Standard Units and Ratios can be ordered for delivery in 3 weeks!*
- 8 Standard Type R Inline Gear Reducer Catalog Sizes: 10–21–32–43–54–64–76–88
- Most spare parts are in inventory for same week delivery
- Output Torque Ratings at 1750 RPM input: 2,500 in-lbs to 90,000 in-lbs

*Reducer only. Motor, accessories and modifications will affect lead time.

Double Reduction Nominal Standard Ratio	Triple Reduction Nominal Standard Ratio
6.20:1	25.63:1
7.59:1	31.39:1
9.30:1	38.44:1
11.39:1	47.08:1
13.95:1	57.66:1
17.09:1	70.62:1
20.93:1	86.50:1

Design Features

Moduline Type R concentric shaft speed reducers reflect many years of experience in gearing products. We utilize the flexibility of the modular concept and provide readily available drives, tailored to popular horsepower selections for actual applications having output torque requirements up to 230,000 in-lbs.

Moduline speed reducers are designed in accordance with all applicable AGMA standards and Nuttall Gear's value added design engineering capabilities. Standard ratios provide a broad range of output speeds to fit most applications.

The removable high speed end facilitates ratio changes or other servicing. Moduline Type R Speed Reducers can be driven by electric motors, gasoline engines, diesel engines, power take-off shafts and line shafts. They may be directly connected by a coupling or offset by means of a chain and sprocket or belt and pulley.

Moduline Speed Reducers can be designed for floor, ceiling, vertical or angled (up to 26°) mounting positions.

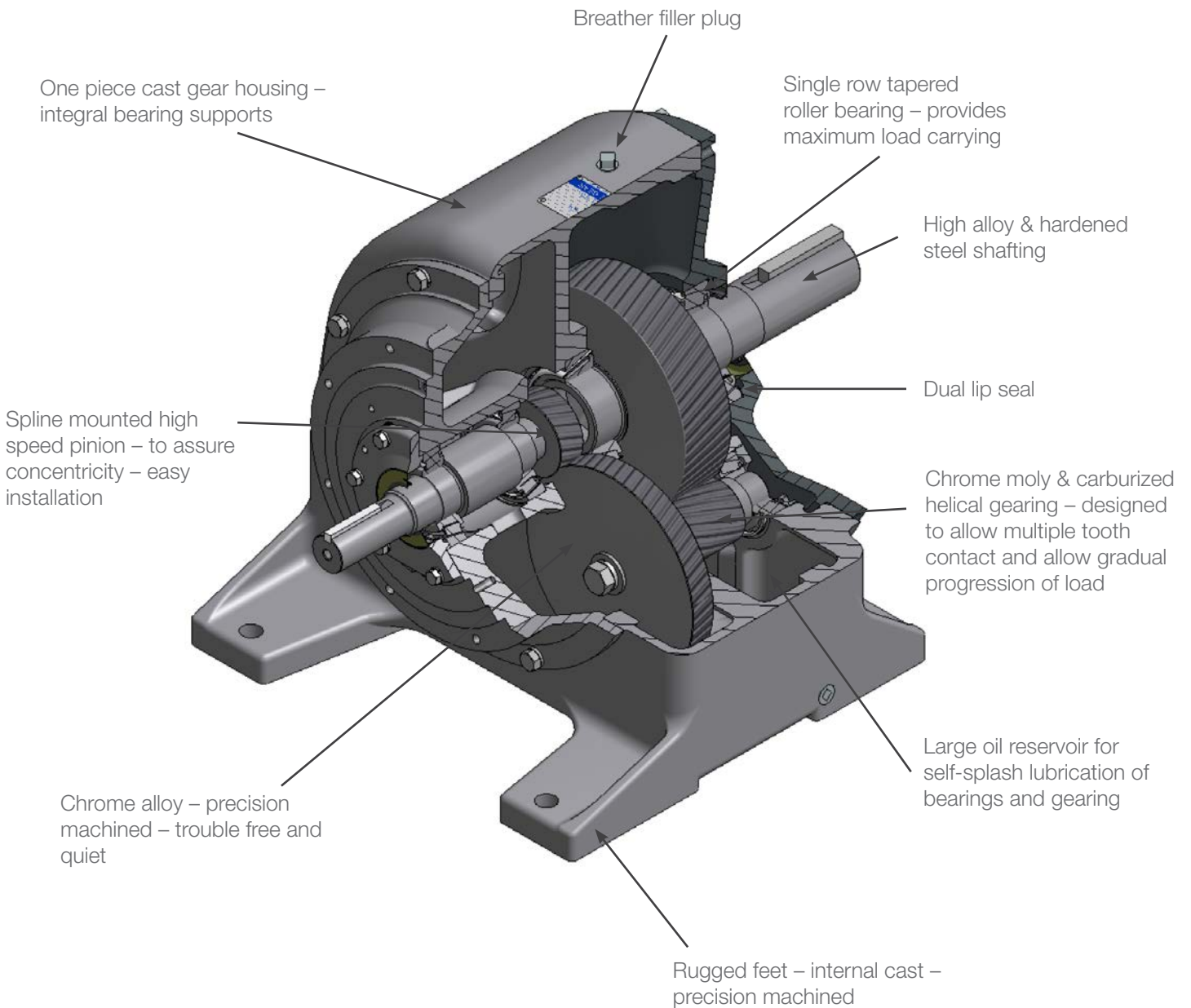
Accessories and modifications include:

- Bedplates
- Motors
- Outboard bearings
- Nodular Iron Cast Gear Housing
- Internal Backstops
- Minimum backlash options
- Shaft driven cooling fans
- Sugar scoops NEMA motor support
- C-Face NEMA motor adapters
- Flexible couplings
- Taconite type Oil Seals
- OSHA approved coupling guards
- Special Marine epoxy paint systems





Internal Construction



Nuttall Gear Facilities

North America

USA

2221 Niagara Falls Boulevard
Niagara Falls, NY 14304 - USA
716-298-4100

*Worm Gear and
Helical Speed Reducers*

The Brands of Altra Motion

Couplings

Ameridrives
www.ameridrives.com

Bibby Turboflex
www.bibbyturboflex.com

Guardian Couplings
www.guardiancouplings.com

Huco
www.huco.com

Lamiflex Couplings
www.lamiflexcouplings.com

Stromag
www.stromag.com

TB Wood's
www.tbwoods.com

Linear Systems

Thomson
www.thomsonlinear.com

Geared Cam Limit Switches

Stromag
www.stromag.com

Engineered Bearing Assemblies

Kilian
www.kilianbearings.com

Electric Clutches & Brakes

Matrix
www.matrix-international.com

Stromag
www.stromag.com

Warner Electric
www.warnerelectric.com

Deltran
www.thomsonlinear.com

Belted Drives

TB Wood's
www.tbwoods.com

Heavy Duty Clutches & Brakes

Twiflex
www.twiflex.com

Stromag
www.stromag.com

Svendborg Brakes
www.svendborg-brakes.com

Wichita Clutch
www.wichitaclutch.com

Gearing & Specialty Components

Bauer Gear Motor
www.bauergears.com

Boston Gear
www.bostongear.com

Delevan
www.delevan.com

Delroyd Worm Gear
www.delroyd.com

Nuttall Gear
www.nuttallgear.com

Engine Braking Systems

Jacobs Vehicle Systems
www.jacobsvehiclesystems.com

Precision Motors & Automation

Kollmorgen
www.kollmorgen.com

Miniature Motors

Portescap
www.portescap.com

Overrunning Clutches

Formsprag Clutch
www.formsprag.com

Marland Clutch
www.marland.com

Stieber
www.stieberclutch.com

Neither the accuracy nor completeness of the information contained in this publication is guaranteed by the company and may be subject to change in its sole discretion. The operating and performance characteristics of these products may vary depending on the application, installation, operating conditions and environmental factors. The company's terms and conditions of sale can be viewed at <http://www.altramotion.com/terms-and-conditions/sales-terms-and-conditions>. These terms and conditions apply to any person who may buy, acquire or use a product referred to herein, including any person who buys from a licensed distributor of these branded products.

©2019 by Nuttall Gear LLC. All rights reserved. All trademarks in this publication are the sole and exclusive property of Nuttall Gear LLC or one of its affiliated companies.

