

Moduline® Inline Speed Reducers

Tough, compact, reliable, and unequalled concentric speed reducers



Nuttall's New Delivery Commitment!

Standard Units and Ratios can be ordered for delivery in 3 weeks!*

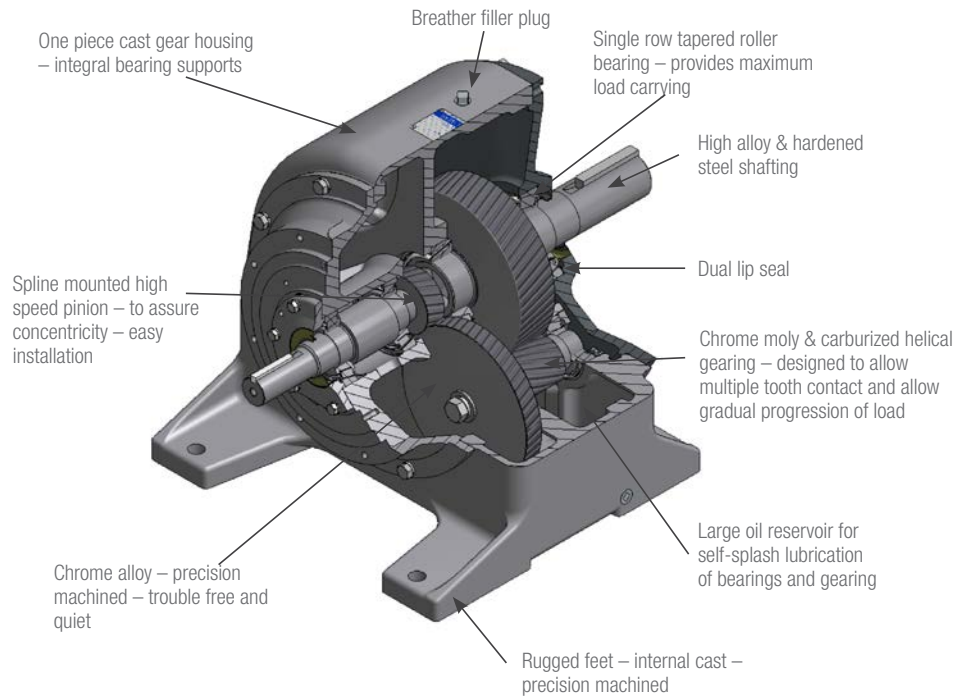
- 8 Standard Type R Inline Gear Reducer Catalog Sizes: 10–21–32–43–54–64–76–88
- Most spare parts are in inventory for same week delivery
- Output Torque Ratings at 1750 RPM input: 2,500 in-lbs to 90,000 in-lbs

Double Reduction Nominal Standard Ratio	Triple Reduction Nominal Standard Ratio
6.20:1	25.63:1
7.59:1	31.39:1
9.30:1	38.44:1
11.39:1	47.08:1
13.95:1	57.66:1
17.09:1	70.62:1
20.93:1	86.50:1

* Reducer only. Motor, accessories and modifications will affect lead time.



Design Features and Internal Construction



Design Features

Moduline Type R concentric shaft speed reducers reflect many years of experience in gearing products. We utilize the flexibility of the modular concept and provide readily available drives, tailored to popular horsepower selections for actual applications having output torque requirements up to 230,000 in-lbs.

Moduline speed reducers are designed in accordance with all applicable AGMA standards and Nuttall Gear's value added design engineering capabilities. Standard ratios provide a broad range of output speeds to fit most applications.

The removable high speed end facilitates ratio changes or other servicing. Moduline Type R Speed Reducers can be driven by electric motors, gasoline engines, diesel engines, power take-off shafts and line shafts. They may be directly connected by a coupling or offset by means of a chain and sprocket or belt and pulley.

Moduline Speed Reducers can be designed for floor, ceiling, vertical or angled (up to 26°) mounting positions.

Accessories and modifications include:

- Bedplates
- Motors
- Outboard bearings
- Nodular Iron Cast Gear Housing
- Internal Backstops
- Minimum backlash options
- Shaft driven cooling fans
- Sugar scoops NEMA motor support
- C-Face NEMA motor adapters
- Flexible couplings
- Taconite type Oil Seals
- OSHA approved coupling guards
- Special Marine epoxy paint systems