

Self-Contained Freewheels

AV



TYPE



Type AV is a roller type freewheel. It is self-contained, centered by plain bearings for low rotational speeds, and sealed using shield protected metallic labyrinth seals

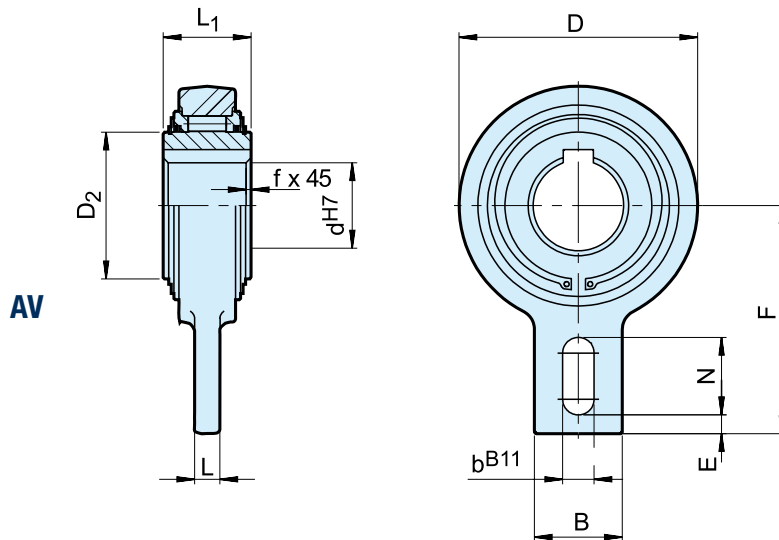
Unit is delivered grease lubricated, ready to install in a horizontal or vertical position. Primarily used as a backstop, the torque capacity is high for a minimum space requirement. This design is suitable for use in difficult environments. A bolt, secured to a fixed part of

the machine and passing through the slot in the torque arm, provides the rotational stop. Radial clearance on this bolt should be equal to 1–3 % of the slot width.

The torque arm and the bearings must not be prestressed. The roller design makes the AV type ideal for light indexing applications.

Self-Contained Freewheels

AV



Type	Size	Overrunning speed											Weight	Drag torque	
		d^{H7} [mm]	$T_{KN}^{1)}$ [Nm]	n_{imax} [min ⁻¹]	D [mm]	D ₂ [mm]	L ₁ [mm]	L [mm]	B [mm]	F [mm]	b ^{B11} [mm]	N [mm]			E [mm]
AV	20	265	450	83	42	35	12	40	90	15	35	5	0,8	1,3	18
	25	265	450	83	42	35	12	40	90	15	35	5	0,8	1,3	18
	30	1200	320	118	60	54	15	40	110	15	35	8	1	3,5	130
	35	1200	320	118	60	54	15	40	110	15	35	8	1	3,4	130
	40	1200	320	118	60	54	15	40	110	15	35	8	1	3,3	130
	45	2150	280	155	90	54	20	80	140	18	47	10	1	5,5	240
	50	2150	280	155	90	54	20	80	140	18	47	10	1	5,4	240
	55	2150	280	155	90	54	20	80	140	18	47	10	1	5,3	240
	60	2150	280	155	90	54	20	80	140	18	47	10	1	5,2	240
	70	2150	280	155	90	54	20	80	140	18	47	10	1	5,0	240
	80	2900	200	190	110	64	20	80	155	20	40	10	1,5	8,7	360
	90*	7125	150	260	160	90	25	120	220	-	-	-	3	24,5	360
	100*	7125	150	260	160	90	25	120	220	-	-	-	3	23,5	360
	110*	7125	150	260	160	90	25	120	220	-	-	-	3	22,5	360
	120*	11000	130	300	180	110	30	140	260	-	-	-	3	42	600

NOTES

1) $T_{max} = 2 \times T_{KN}$
 » Refer to Selection page 7 to 11
 Keyway to DIN 6885.1

*) 2 Keyways 120° offset

» Refer to mounting and maintenance instructions
 page 12 to 13

MOUNTING EXAMPLE

