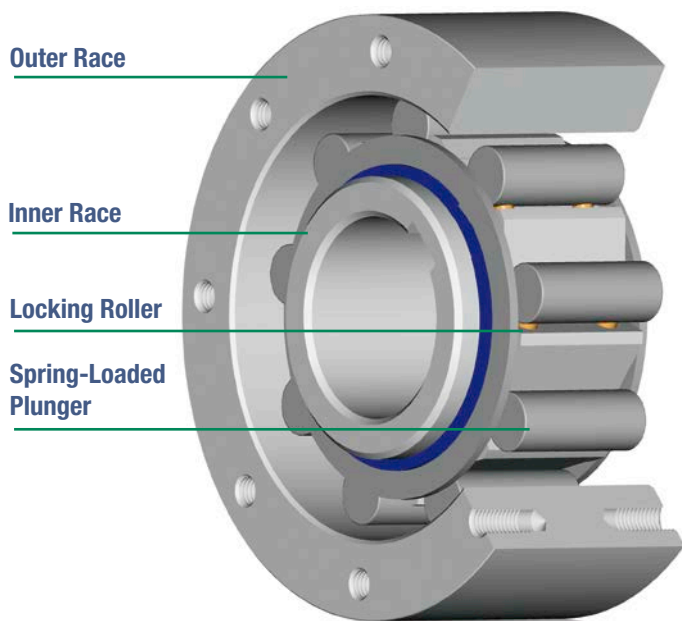


## BASIC FORMS: ALWAYS A PERFECT SOLUTION.

To achieve the functions described overleaf, so-called locking elements are positioned between an outer and an inner race which effect engaging and disengaging. These locking elements are of two basic designs:

### ROLLER CLUTCH

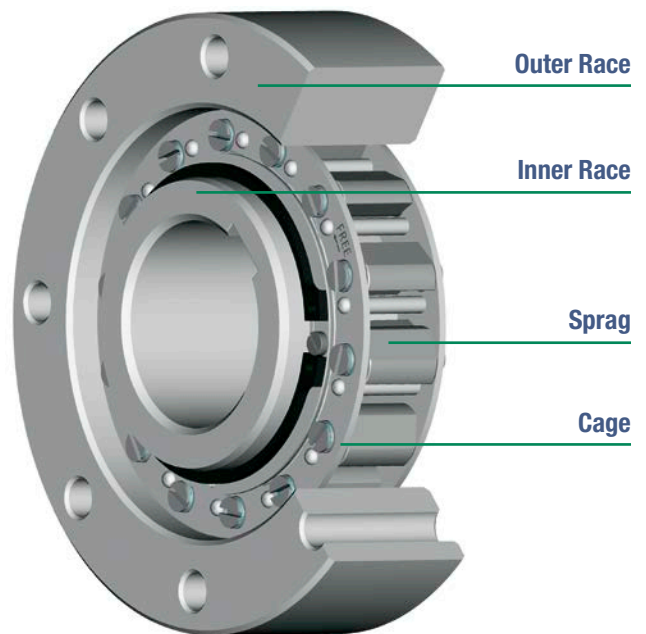
Mainly used as overrunning and indexing clutches.



- Rugged
- Versatile
- High indexing accuracy
- High performance overrunning clutch

### SPRAG CLUTCH

Most suitable as backstops, and mostly the contact-free versions.



- High overrunning speed
- High torque capacity
- High eccentricity tolerances
- Accepts any lubricant

We offer our freewheels in different versions either without bearing support (built-in) or with bearing support (self-contained). (see selection table page 10)