

Combined Bearing/Freewheel

CSK..P, CSK..PP CSK..P-2RS



TYPE

CSK..P

CSK..PP



Types CSK..P and CSK..PP are sprag type freewheels integrated into 62.. series ball bearings (except size 40). They are bearing supported, delivered grease lubricated and protected against dust of more than 0,3 mm.

The use of additional “nylos” type seals is recommended especially when the working temperature exceeds 50°C. Oil bath lubrication is also possible.

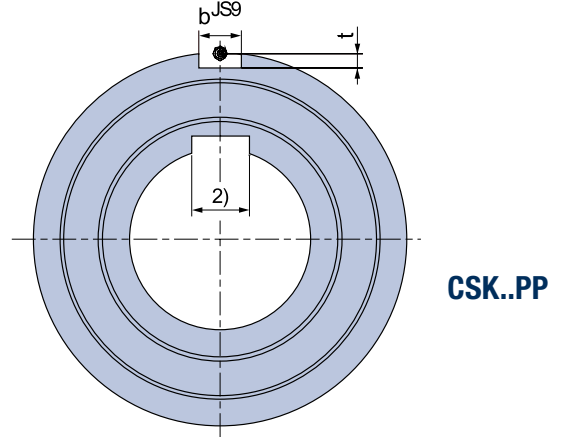
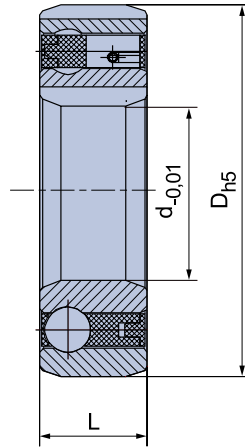
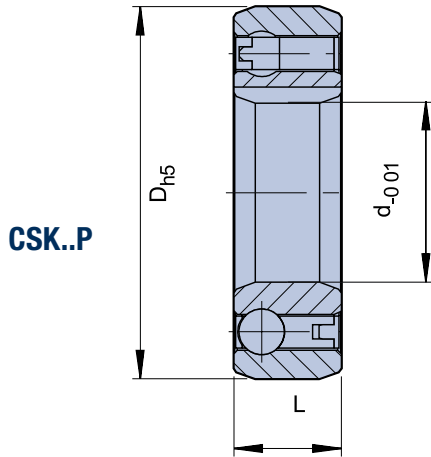
In addition to the basic CSK model, type CSK..P

features a keyway on the inner race. For this reason it can be keyed to a shaft to k6 tolerance. The outer race must still be pressed into a rigid steel housing to N6 tolerance.

CSK..PP features a keyway on both the inner and outer race. The recommended mounting tolerances are h6 on the shaft and H6 in a rigid housing. Please contact us when either the ambient or the operating temperature is not within the range +5°C to +60°C.

Combined Bearing/Freewheel

CSK..P, CSK..PP, CSK..P-2RS



| Type | Size | Bearing series | | | | | | | Bearing loads | | Weight | Drag torque |
|--------------------------|------|----------------|-----------------------|-----------------------------------|-----------|-----------|-----------|-----------|---------------|------------------------|--------|-------------|
| | | | $T_{KN}^{1)}$ [Nm] | n_{max} [min ⁻¹] | D [mm] | L [mm] | b [mm] | t [mm] | C [kN] | C ₀ [kN] | | |
| CSK..P ²⁾ | 12 | 6201 | 9,3 | 10000 | 32 | 10 | | | 6,1 | 2,77 | 0,04 | 0,7 |
| | 15 | 6202 | 17 | 8400 | 35 | 11 | | | 7,4 | 3,42 | 0,06 | 0,9 |
| | 17 | 6203 | 30 | 7350 | 40 | 12 | | | 7,9 | 3,8 | 0,070 | 1,1 |
| | 20 | 6204 | 50 | 6000 | 47 | 14 | | | 9,4 | 4,46 | 0,110 | 1,3 |
| | 25 | 6205 | 85 | 5200 | 52 | 15 | | | 10,7 | 5,46 | 0,140 | 2,0 |
| | 30 | 6206 | 138 | 4200 | 62 | 16 | | | 11,7 | 6,45 | 0,210 | 4,4 |
| | 35 | 6207 | 175 | 3600 | 72 | 17 | | | 12,6 | 7,28 | 0,300 | 5,8 |
| | 40 | – | 325 | 3000 | 80 | 22 | | | 15,54 | 12,25 | 0,5 | 7,0 |
| CSK..PP ²⁾ | 15 | 6202 | 17 | 8400 | 35 | 11 | 2 | 0,6 | 7,4 | 3,42 | 0,06 | 0,9 |
| | 17 | 6203 | 30 | 7350 | 40 | 12 | 2 | 1,0 | 7,9 | 3,8 | 0,070 | 1,1 |
| | 20 | 6204 | 50 | 6000 | 47 | 14 | 3 | 1,5 | 9,4 | 4,46 | 0,110 | 1,3 |
| | 25 | 6205 | 85 | 5200 | 52 | 15 | 6 | 2,0 | 10,7 | 5,46 | 0,140 | 2,0 |
| | 30 | 6206 | 138 | 4200 | 62 | 16 | 6 | 2,0 | 11,7 | 6,45 | 0,210 | 4,4 |
| | 35 | 6207 | 175 | 3600 | 72 | 17 | 8 | 2,5 | 12,6 | 7,28 | 0,300 | 5,8 |
| | 40 | – | 325 | 3000 | 80 | 22 | 10 | 3,0 | 15,54 | 12,25 | 0,5 | 7,0 |
| CSK..P-2RS ²⁾ | 12 | – | 9,3 | 10000 | 32 | 14 | | | 6,1 | 2,77 | 0,05 | 3 |
| | 15 | – | 17 | 8400 | 35 | 16 | | | 7,4 | 3,42 | 0,07 | 4 |
| | 17 | – | 30 | 7350 | 40 | 17 | | | 7,9 | 3,8 | 0,09 | 5,6 |
| | 20 | – | 50 | 6000 | 47 | 19 | | | 9,4 | 4,46 | 0,145 | 6,0 |
| | 25 | – | 85 | 5200 | 52 | 20 | | | 10,7 | 5,46 | 0,175 | 6,0 |
| | 30 | – | 138 | 4200 | 62 | 21 | | | 11,7 | 6,45 | 0,270 | 7,5 |
| | 35 | – | 175 | 3600 | 72 | 22 | | | 12,6 | 7,28 | 0,4 | 8,2 |
| | 40 | – | 325 | 3000 | 80 | 27 | | | 15,54 | 12,25 | 0,6 | 10 |

NOTES

1) $T_{max} = 2 \times T_{KN}$
» Refer to Selection page 7 to 11

2) Keyway to DIN 6885.3
Size 40 keyway to DIN 6885.1

» Refer to mounting and maintenance instructions
page 12 to 13

MOUNTING EXAMPLE

