

DC-RACES



TYPE

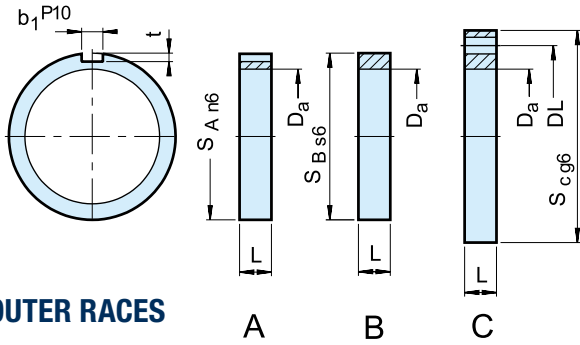


DC races are offered for use with the DC freewheel cages shown on the previous pages. The cage and race assembly, makes a non-bearing supported freewheel.

Bearing support for axial and radial loads must be provided, along with lubrication and sealing. The sprag space tolerance must not be exceeded when all bearing clearances and mounting tolerances are considered, (see table page 33).

Taper between races should be below 0,007 mm for 25 mm width. Outer races type A and B should be pressed into housings that will not deform after assembly. Please contact our technical department if you need to transmit maximum freewheel torque capacity with A and G type. Key stresses may have to be checked.

DC-RACES

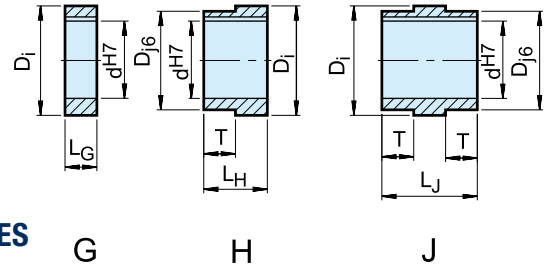


OUTER RACES

A

B

C



INNER RACES

G

H

J

1) Keyway to DIN 6885.1

Size	d^{H7} [mm]	L_g [mm]	L_h [mm]	L_j [mm]	D_{j6} [mm]	T [mm]	$D_i^{+0,008}$ $-0,005}$ [mm]	L [mm]	S_{An6} [mm]	b_1^{P10} [mm]	t [mm]	S_{Bs6} [mm]	S_{cg6} [mm]	DL $\pm 0,1$ [mm]	Number of holes $\times \varnothing$	$D_a \pm 0,013$ [mm]	Number of holes $\times \varnothing$
DC 230A								16	72	6	3,5					54,752	DC 3809A
DC 230B								16				72				54,752	
DC 230C								16					95	78	8 \times 7	54,752	
DC 230 G-10	10	16						38,092									
DC 230 G-15	15	16						38,092									
DC 230 G-20	20	16						38,092									
DC 230 H-10	10		33		35	17		38,092									
DC 230 H-15	15		33		35	17		38,092									
DC 230 H-20	20		33		35	17		38,092									
DC 230 J-10	10			50	35	17		38,092									
DC 230 J-15	15			50	35	17		38,092									
DC 230 J-20	20			50	35	17		38,092									
DC 167A								16	90	10	5					71,425	DC 5476A DC 5476A (4c)
DC 167B								16				90				71,425	
DC 167C								16					110	95	8 \times 9	71,425	
DC 167G-25	25	16						54,765									
DC 167G-30	30	16						54,765									
DC 167G-35	35	16						54,765									
DC 167H-25	25		35		50	19		54,765									
DC 167H-30	30		35		50	19		54,765									
DC 167H-35	35		35		50	19		54,765									
DC 167J-25	25			54	50	19		54,765									
DC 167J-30	30			54	50	19		54,765									
DC 167J-35	35			54	50	19		54,765									
DC 168A								21	110	14	5,5					88,877	DC 7221 (5c) DC 7221B DC 7221B (5c)
DC 168B								21				110				88,877	
DC 168C								21					140	120	8 \times 11	88,877	
DC 168G-40	40	21						72,217									
DC 168G-45	45	21						72,217									
DC 168G-50	50	21						72,217									
DC 168H-40	40		42		65	21		72,217									
DC 168H-45	45		42		65	21		72,217									
DC 168H-50	50		42		65	21		72,217									
DC 168J-40	40			63	65	21		72,217									
DC 168J-45	45			63	65	21		72,217									
DC 168J-50	50			63	65	21		72,217									
DC 235A								16	150	20	7,5					119,891	DC 10323A (5c)
DC 235B								16				150				119,891	
DC 235C								16					190	170	8 \times 11	119,891	
DC 235G-55	55	16						103,231									
DC 235G-60	60	16						103,231									
DC 235G-75	75	16						103,231									
DC 235H-55	55		43		100	27		103,231									
DC 235H-60	60		43		100	27		103,231									
DC 235H-75	75		43		100	27		103,231									
DC 235J-55	55			70	100	27		103,231									
DC 235J-60	60			70	100	27		103,231									