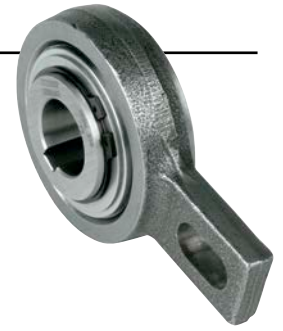


Self-Contained Freewheels

RSBW



TYPE



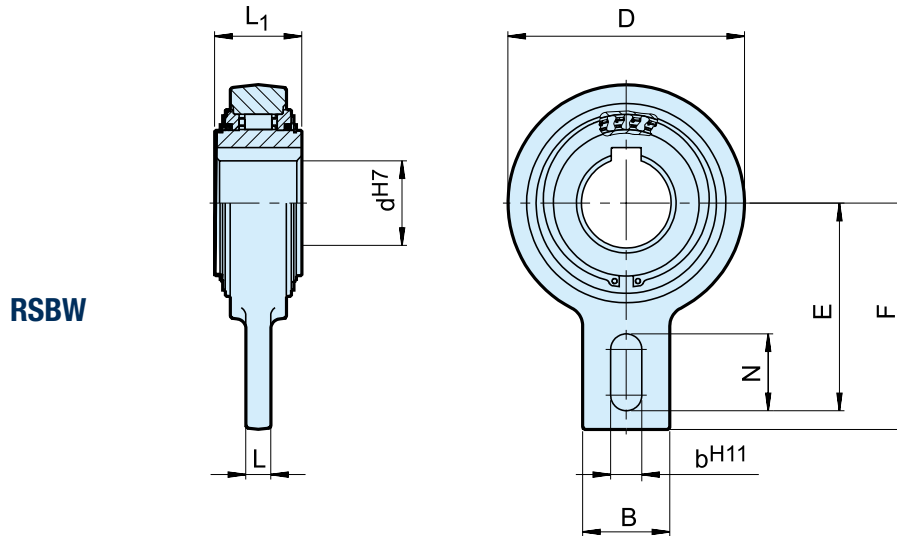
Type RSBW is a DC sprag type freewheel. It is self-contained, centered by plain bearings for low rotational speeds and sealed using shield protected O-Rings.

Unit is delivered grease lubricated ready for installation in either a horizontal or vertical position. Primarily used as a backstop, this type provides a high

torque capacity with a minimum space requirement. The design allows installation in difficult environments such as high humidity or water splash areas. A bolt, secured to a fixed part of the machine and passing through the slot in the torque arm, provides the rotational stop. Radial clearance on this bolt should be equal to 1–3 % of the slot width. The torque arm and the bearings must not be prestressed.

Self-Contained Freewheels

RSBW



Type	Size	Overrunning speed											Weight
		d^{H7} [mm]	$T_{KN}^{1)}$ [Nm]	n_{imax} [min ⁻¹]	D [mm]	L_1 [mm]	F [mm]	E [mm]	B [mm]	N [mm]	L [mm]	b^{H11} [mm]	
RSBW	20	375	400	106	35	113	102,5	40	35	15	18	2	
	25	606	400	106	48	113	102,5	40	35	15	18	2,6	
	30	606	400	106	48	113	102,5	40	35	15	18	2,5	
	35M	375	400	106	35	113	102,5	40	35	15	18	2	
	35	606	400	106	48	113	102,5	40	35	15	18	2,4	
	40	1295	300	132	52	125	115	60	35	15	18	4,6	
	45	1295	300	132	52	125	115	60	35	15	18	4,5	
	50	1295	300	132	52	125	115	60	35	15	18	4,5	
	55	1295	300	132	52	125	115	60	35	15	18	4,4	
	60	2550	250	161	54	140	130	70	35	15	18	6,5	
	70	2550	250	161	54	140	130	70	35	15	18	6,4	
	80	4875	200	190	70	165	150	70	45	20	25	9,9	
	90	4875	200	190	70	165	150	70	45	20	25	9,8	

NOTES

- 1) $T_{max} = 2 \times T_{KN}$
 » Refer to Selection page 7 to 11

Keyway to DIN 6885.1

- » Refer to mounting and maintenance instructions
 page 12 to 13

MOUNTING EXAMPLE

