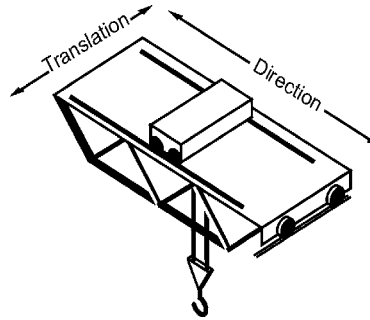


Disc brakes

Questionnaire
Long travel - Cross traverse



Builder: _____
 User: _____
 Type of crane: _____
 Project: _____

	CODE	SPECIFICATIONS	VALUES (metric)
Essential informations	PR	Rolling weight laden	_____ Te
	V	travelling speed	_____ m/min
	NB	Motor: number	_____
	KW	power.....	_____ kW
	N	nominal speed corresponding to V.....	_____ r.p.m.
	RE	Is electrical retardation used (yes or no)	_____
	NF	If yes, speed at which brake is applied.....	_____ r.p.m.
	AC	Is the disc to be associated with a flexible coupling (yes or no).....	_____
Desirable informations	DR	If yes, gear box shaft diameter.....	_____ mm
	DM	motor shaft diameter.....	_____ mm
	JM	Motor: inertia (J=mr ²)	_____ kgm ²
	C	starting classification	_____ starts/h
	FM	cyclic duration factor (CDF).....	_____ %
	M	or type and brand	_____
	FH	Brake application per hour.....	_____ b/h
Special conditions	FT	Motion cyclic duration factor.....	_____ %
	ER	Total rolling resistance force	_____ kg
	T	Braking time.....	_____ s
	D	or stopping distance	_____ m
	EV	Wind force	_____ kg
Results for normal operating	FP	Is controlled progressive braking required (yes or no)	_____
	A	Ambient temperature	_____ °Celsius
	FR	Is worm gear box used (yes or no).....	_____
	RESULTS OF CALCULATIONS		CALCULATION N°
	Tb	Type of brake.....	_____ Nm
	T	Braking torque	_____ sec
	D	Braking time.....	_____ m
FH	Stopping distance.....	_____ b/h	
TV	Maximum brake applications per hour.....	_____ sec	
NFV	Stopping time with assisting wind.....	_____ b/h	
		Maximum brake applications per hour with wind.....	_____

Due to continuous development and improvement, all dimensions and characteristics are subject to change without notice.