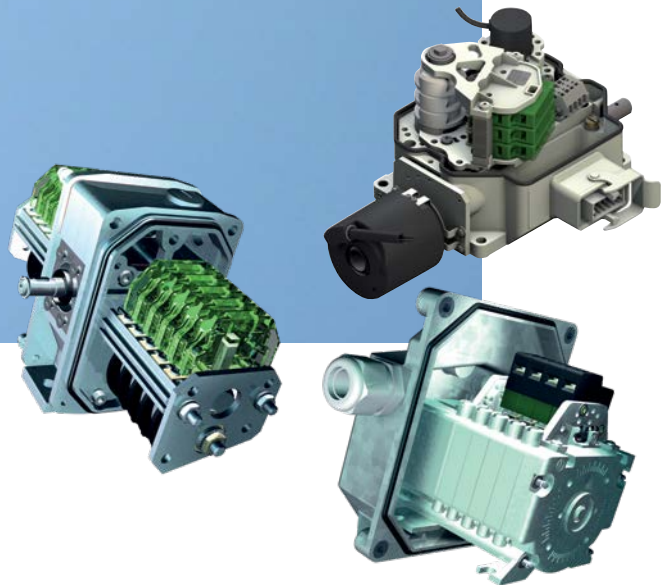




# Controls and Sensors for Cranes and Compact Hoistings



## Stromag

Founded in 1932, Stromag has grown to become a globally recognized leader in the development and manufacture of innovative power transmission components for industrial drivetrain applications. Stromag engineers utilize the latest design technologies and materials to provide creative, energy-efficient solutions that meet their customer's most challenging requirements.

Stromag's extensive product range includes flexible couplings, disc brakes, limit switches, an array of hydraulically, pneumatically, and electrically actuated brakes, and a complete line of electric, hydraulic and pneumatic clutches.

Stromag engineered solutions improve drivetrain performance in a variety of key markets including energy, off-highway, metals, marine, transportation, printing, textiles, and material handling on applications such as wind turbines, conveyor systems, rolling mills, agriculture and construction machinery, municipal vehicles, forklifts, cranes, presses, deck winches, diesel engines, gensets and stage machinery.



VISIT US ON THE WEB AT [STROMAG.COM](http://STROMAG.COM)

## Altra Industrial Motion

Altra is a leading global designer and manufacturer of quality power transmission and motion control products utilized on a wide variety of industrial drivetrain applications. Altra clutches and brakes, couplings, gearing and PT component product lines are marketed under the industries most well known manufacturing brands. Each brand is committed to the guiding principles of operational excellence, continuous improvement and customer satisfaction. Highly-engineered Altra solutions are sold in over 70 countries and utilized in a variety of major industrial markets, including food processing, material handling, packaging machinery, mining, energy, automotive, primary metals, turf and garden and many others.

Altra's leading brands include **Ameridrives**, **Bauer** Gear Motor, **Bibby** Turboflex, **Boston** Gear, **Delroyd** Worm Gear, **Formsprag** Clutch, **Guardian** Couplings, **Huco**, **Industrial** Clutch, **Inertia** Dynamics, **Kilian**, **Lamiflex** Couplings, **Marland** Clutch, **Matrix**, **Nuttall** Gear, **Stieber**, **Stromag**, **Svendborg** Brakes, **TB Wood's**, **Twiflex**, **Warner** Electric, **Warner** Linear and **Wichita** Clutch.

VISIT US ON THE WEB AT [ALTRAMOTION.COM](http://ALTRAMOTION.COM)



## SAFE, PRECISE AND RELIABLE

### Geared cam and spindle limit switches from the market leader

#### precision manufactured, preconfigured, for fast installation

Stromag has been building geared cam and spindle limit switches for over fifty years. With a wide range of gear systems, switching contacts, and housings of metal or polycarbonate, we can offer solutions for every application.

All analogue and digital encoder systems can be integrated. Our geared cam limit switches reliably switch off sequences of movements, and position or restrict these with independently and precisely adjustable cam discs.

Whether simple chain hoists, compact hoistings, open winches, or complex STS, mobile, or any other type of mobile cranes, Stromag provides customer solutions configured optimally to any application. The modern designs present a wide range of standardised solutions for reliable cut-offs.



### Securing loads, protecting buildings and machinery

#### Controls and Sensors for cranes and compact hoistings

As a measure to protect equipment and machinery, compact hoistings must be limited at their top and bottom cutoff points. The geared cam limit switches from Stromag for this reliable cut-off are ideally attached directly to the drum.

When integrated with optional, intelligent encoder technologies, these geared cam limit switches can easily determine absolute positions to a high precision.

These values can be converted into reliable additional data like e.g. sense of rotation and overspeed. Data can be transferred to the manufacturer's controller via a customer bus interface.

The plant operator benefits from optimised cost control when these status parameters and appropriate preventive measures are integrated in the condition monitoring system.



## THE IDEAL SOLUTION FOR COMPACT HOISTINGS

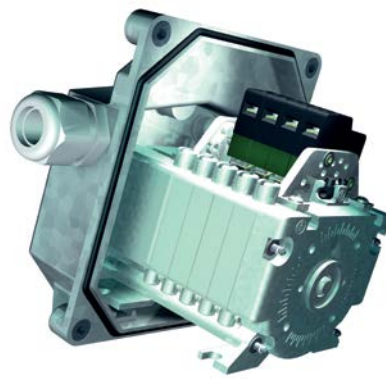
### Planetary gears series 51

**Function and application:** Series 51 geared cam limit switches are universal, mechanical switchgears that can map a wide range of shaft rotations to the angular displacements of the installed cam discs. These cam discs actuate the mechanical switching contacts.

They are used everywhere angles or distances cannot be limited directly with switchgear, but only indirectly on the basis of the measured shaft angle. One classical example of this application involves limiting the hook lift of a crane hoist.

#### Benefits include

- Patented planetary gears
- Cam adjustments at fixed position in housing (simple and precise adjustment)
- Large cam disc diameter
- Modular design with many identical parts
- 4.1 – 16,000 usable revolutions
- More contacts possible on request
- Various housing designs
- Approved under DGUV V17 (formerly BGV C1) (stage engineering)
- Direct drive of multi-turn encoders



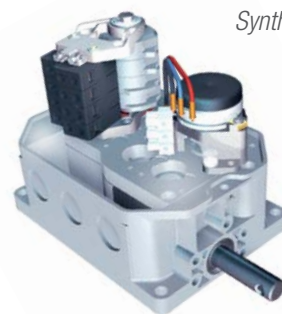
### Worm gears Stromag Light Cam® and Light Cam® M

**Function and application:** Light Cam® Series geared cam limit switches are universal, mechanical switchgears that can map a wide range of input shaft rotations over the full angular displacement of the cam discs. These cam discs actuate the switching contacts.

The classical applications of these limit switches are e.g. crane hoist, traversing, and slewing drives; wind turbine generator systems; bucket conveyors; etc. In particular where EN 60947 T5-1/ IEC 947-5-1 prescribe forced opening switches eliminating potential harm to persons, there is no alternative that is more economical than geared cam limit switches.

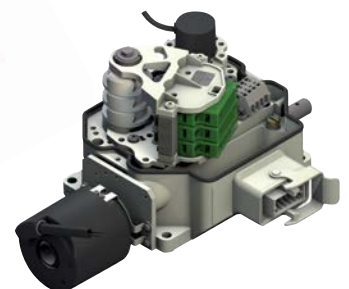
#### Benefits include

- Synthetic housing (PBT) or seawater-resistant aluminium housing IP66
- Gear teeth made of synthetic material (POM)
- 0.85 – 880 usable revolutions
- 4 or 8 contacts
- Suitable for the integration of encoders and potentiometers
- Encoder attachments possible



Die-cast aluminium housing

Synthetic housing (PBT)

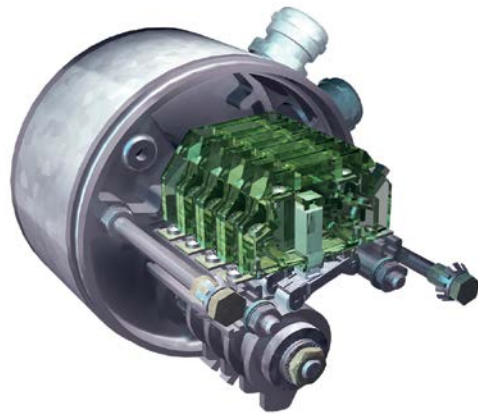


## Spur gears Series 100

**Function and application:** Series 100 spur geared cam limit switches are robust limit switches in a metal housing for use under difficult, mechanical conditions. Owing to the pretensioned gears, potentiometers and single-turn encoders can be actuated free of backlash.

### Benefits include

- Highly robust metal housing
- Steel sheet IP 65, grey cast iron IP 66
- Gears of synthetic material (POM) or metal
- 0.153 – 15,300 usable revolutions
- 2 to 14 contacts
- Potentiometer facility
- Also explosion protection ATEX 95 available (gas zone 1 and 2, dust zone 21 and 22)

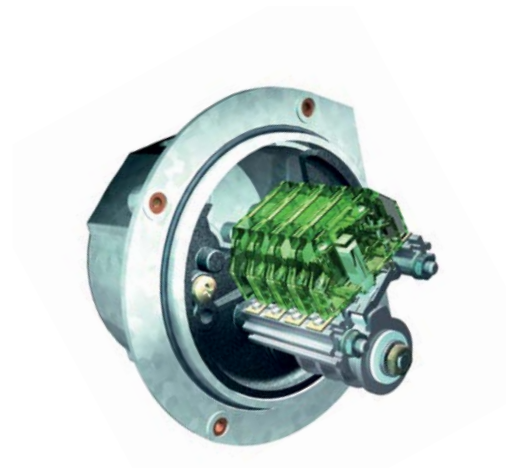


## Spur gears Series 110

**Function and application:** Series 110 geared cam limit switches with dry running moulded gears (acetyl copolymer). Microswitches as snap switches or push action contacts, break and make contacts with positive, also form-closed opening operation. Switching point intervals adjustable continuously or in 4° steps within the utilisable rotation range. Any installed position.

### Benefits include

- Robust polycarbonate housing
- Gears of synthetic material (POM) or metal
- 0.153 – 420 usable revolutions
- 2 to 12 contacts
- Potentiometer facility



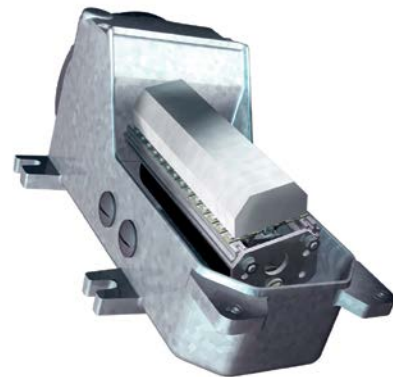
## Spur gears Series 410

**Function and application:** Series 410 geared cam limit switches are used for the independent restriction of movements by all types of electrically operated compact hoistings.

This model presents an extremely robust design. Ideal for applications under difficult operating conditions, e.g. in seaports and steelworks. Owing to the generously sized housing, the geared cam limit switch can be fitted on its sides with large diameter entries for thick cables.

### Benefits include

- Heavy aluminum housing IP65
- Gears of metal
- 0.08 – 263 usable revolutions
- 5, 9, or 14 contacts
- Potentiometer facility



## Worm gears Series HGE

**Function and application:** Series HGE geared cam limit switches are universal, mechanical switchgear for general industrial applications. They consist of a reduction gear set and one or two contact chambers taking the switching contacts and the assigned cam discs. The reduction gears reduce a high number of rotations transferred to the geared cam limit switch's input shaft to a max angle of 320° at the cam disc (on 40° cam discs). The adjustable cam discs then actuate the mechanical switching contacts. When fitted with mechanical forced opening switches complying with EN 60947-5-1, geared cam limit switches are the ideal choice in compact hoistings.

### Benefits include

- Highly robust aluminium housing IP65
- Gears of metal
- 8 to 715 usable revolutions
- 2 to 16 contacts
- Potentiometer facility
- Directly coupled encoders



## Levers Series HHEV

**Function and application:** The HHEV Series lever limit switch is used everywhere movements can be cut off directly, e.g. traverses by gantry bridges or trolleys, bucket conveyors, and other compact hoistings. The switch is attached in such a manner that traverses cause the switch's lever to move on a switch actuator, displacing it from its centre position.

### Benefits include

- Highly robust aluminium housing IP 65
- Usable 85° lever angle to each side
- 2 to 8 contacts

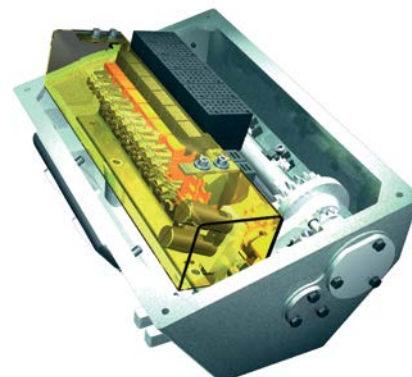


## Spindle gears Series 62

**Function and application:** Series 62 spindle cam limit switches (SNE) are used for the independent restriction of all types of electrically actuated compact hoistings, e.g. travelling, gantry, luffing cranes; sluice gates; and general industrial applications, for the direct cut-off of main currents at the emergency end positions. This series presents an extremely robust housing in seawater-resistant sand cast aluminium, making it ideal for operations under difficult conditions e.g. in steel mills and seaports.

### Benefits include

- Heavy aluminium / grey cast iron housing IP 65
- Usable revolutions
- Size 2: Up to 42
- Size 3 and 4: Up to 62
- Fixed and adjustable series contacts possible



## Stromag Facilities

### Europe

#### Germany

Hansastraße 120  
59425 Unna - Germany  
+49 (0) 23 03 102 0

*Clutches & Brakes, Couplings,  
Geared Cam Limit Switches, Discs,  
Wind Brakes*

Dessauer Str. 10  
06844 Dessau-Roßlau - Germany  
+49 (0) 340 2190 0

*Electromagnetic Clutches & Brakes*

#### France

Avenue de l'Europe  
18150 La Guerche sur L'Aubois - France  
+33 (0)2 48 80 72 72

*Disc Brakes & Drum Brakes*

#### Great Britain

Amphill Road  
Bedford, MK42 9RD - UK  
+44 (0)1234 324347

*Electromagnetic Clutches & Brakes,  
Industrial Caliper Brakes*

### North America

#### USA

31 Industrial Park Road  
New Hartford, CT 06057 - USA  
860-238-4783

*Electromagnetic Clutches & Brakes*

300 Indiana Highway 212  
Michigan City, IN 46360 - USA  
219-874-5248

*Couplings*

2800 Fisher Rd.  
Wichita Falls, TX  
940-723-3400

*Geared Cam Limit Switches,  
Industrial Caliper & Drum Brakes*

### Asia Pacific

#### China

T40B -5, No. 1765 Chuan Qiao Road  
Pudong 201206, Shanghai - China  
Tel +86 21-60580600

*Clutches & Brakes, Electromagnetic  
Clutches & Brakes, Couplings, Industrial  
Caliper & Drum Brakes, Discs, Geared  
Cam Limit Switches, Wind Brakes*

#### India

Gat No.: 448/14, Shinde Vasti, Nighoje  
Tal Khed, Pune- 410 501  
+91 2135 622100

*Clutches & Brakes, Electromagnetic  
Clutches & Brakes, Couplings, Industrial  
Caliper & Drum Brakes, Discs, Geared  
Cam Limit Switches, Wind Brakes*

## The Brands of Altra Industrial Motion

### Couplings

**Ameridrives**  
[www.ameridrives.com](http://www.ameridrives.com)

**Bibby Turboflex**  
[www.bibbyturboflex.com](http://www.bibbyturboflex.com)

**Guardian Couplings**  
[www.guardiancouplings.com](http://www.guardiancouplings.com)

**Huco**  
[www.huco.com](http://www.huco.com)

**Lamiflex Couplings**  
[www.lamiflexcouplings.com](http://www.lamiflexcouplings.com)

**Stromag**  
[www.stromag.com](http://www.stromag.com)

**TB Wood's**  
[www.tbwoods.com](http://www.tbwoods.com)

### Geared Cam Limit Switches

**Stromag**  
[www.stromag.com](http://www.stromag.com)

### Electric Clutches & Brakes

**Inertia Dynamics**  
[www.idicb.com](http://www.idicb.com)

**Matrix**  
[www.matrix-international.com](http://www.matrix-international.com)

**Stromag**  
[www.stromag.com](http://www.stromag.com)

**Warner Electric**  
[www.warnerelectric.com](http://www.warnerelectric.com)

### Linear Products

**Warner Linear**  
[www.warnerlinear.com](http://www.warnerlinear.com)

### Engineered Bearing Assemblies

**Kilian**  
[www.kilianbearings.com](http://www.kilianbearings.com)

### Heavy Duty Clutches & Brakes

**Industrial Clutch**  
[www.indclutch.com](http://www.indclutch.com)

**Twiflex**  
[www.twiflex.com](http://www.twiflex.com)

**Stromag**  
[www.stromag.com](http://www.stromag.com)

**Svendborg Brakes**  
[www.svendborg-brakes.com](http://www.svendborg-brakes.com)

**Wichita Clutch**  
[www.wichitaclutch.com](http://www.wichitaclutch.com)

### Belted Drives

**TB Wood's**  
[www.tbwoods.com](http://www.tbwoods.com)

### Gearing

**Bauer Gear Motor**  
[www.bauergears.com](http://www.bauergears.com)

**Boston Gear**  
[www.bostongear.com](http://www.bostongear.com)

**Delroyd Worm Gear**  
[www.delroyd.com](http://www.delroyd.com)

**Nuttall Gear**  
[www.nuttallgear.com](http://www.nuttallgear.com)

### Overrunning Clutches

**Formsprag Clutch**  
[www.formsprag.com](http://www.formsprag.com)

**Marland Clutch**  
[www.marland.com](http://www.marland.com)

**Stieber**  
[www.stieberclutch.com](http://www.stieberclutch.com)

Neither the accuracy nor completeness of the information contained in this publication is guaranteed by the company and may be subject to change in its sole discretion. The operating and performance characteristics of these products may vary depending on the application, installation, operating conditions and environmental factors. The company's terms and conditions of sale can be viewed at <http://www.altramotion.com/terms-and-conditions/sales-terms-and-conditions>. These terms and conditions apply to any person who may buy, acquire or use a product referred to herein, including any person who buys from a licensed distributor of these branded products.

©2018 by Stromag LLC. All rights reserved. All trademarks in this publication are the sole and exclusive property of Stromag LLC or one of its affiliated companies.